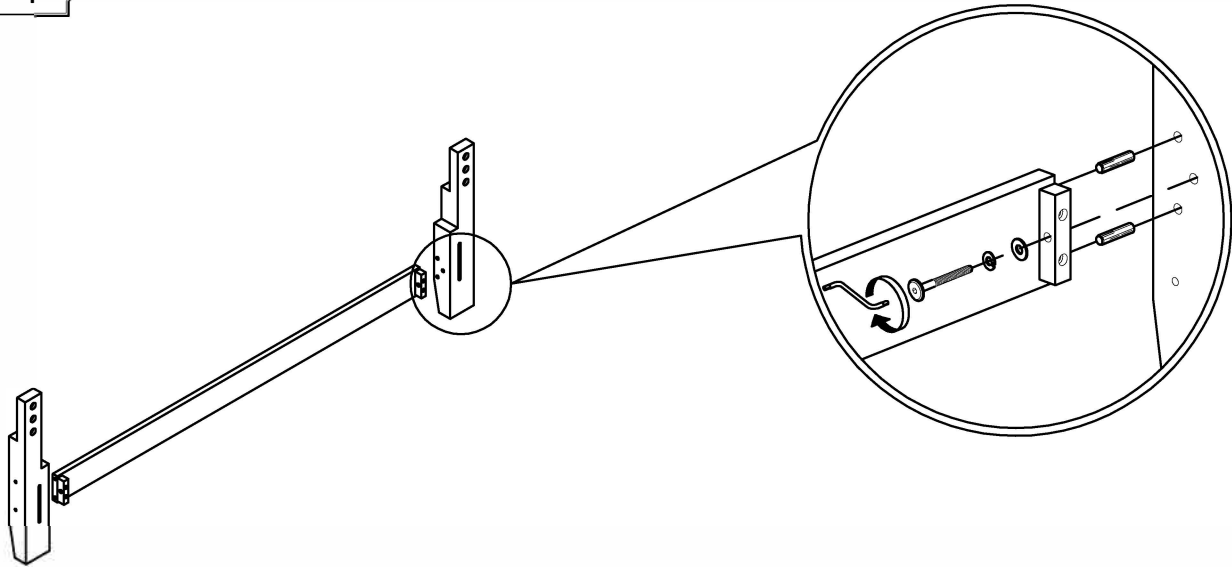


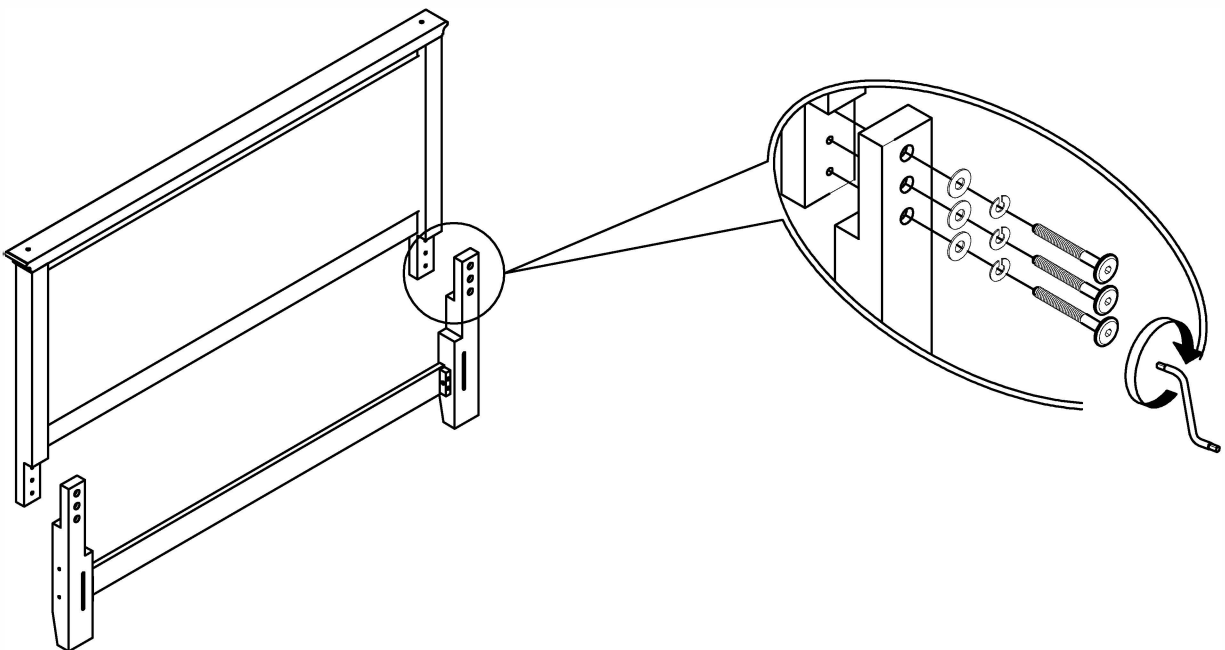
Origins

Assembly Instruction

STEP 1

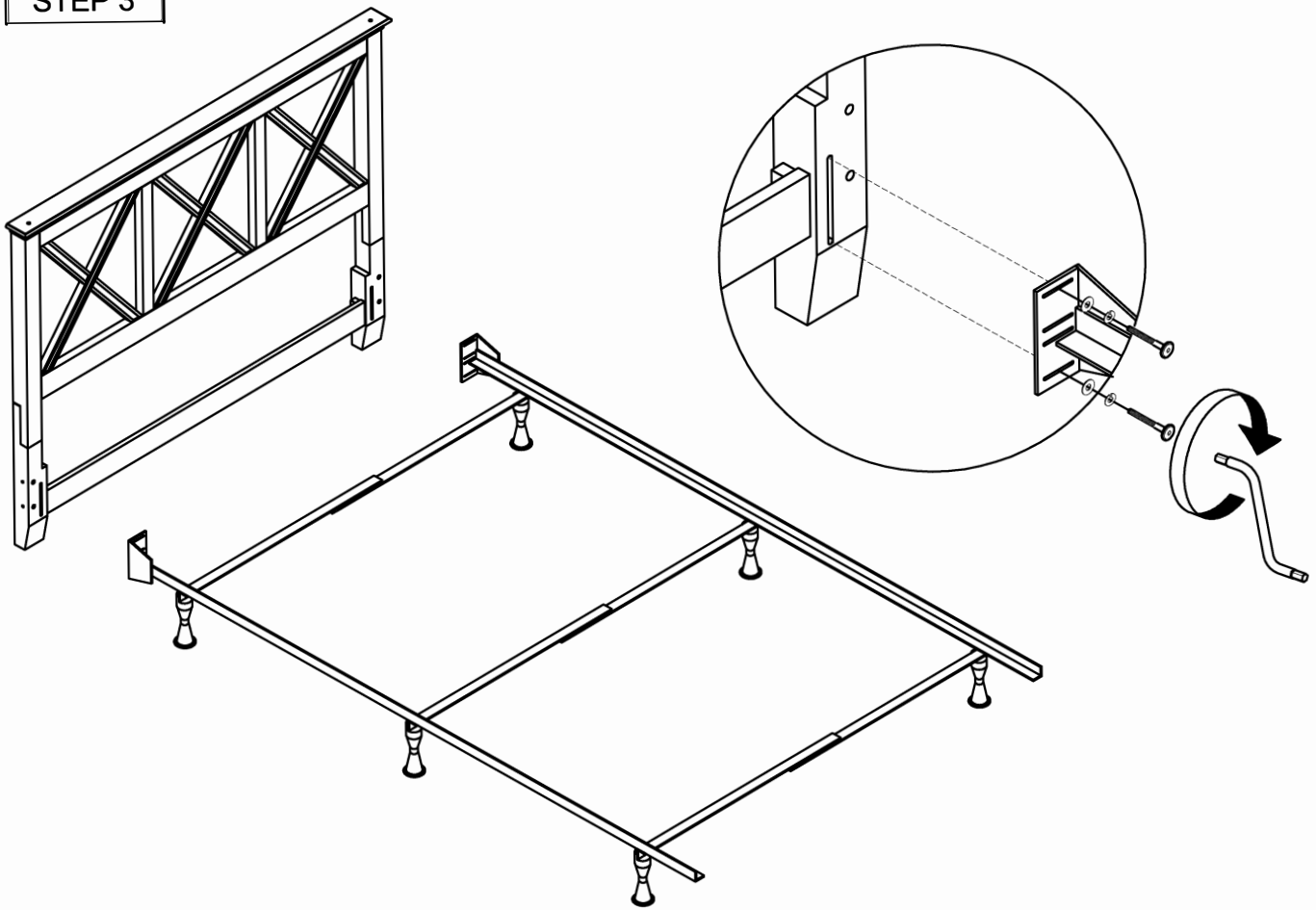


STEP 2



Origins

STEP 3



STEP 4

