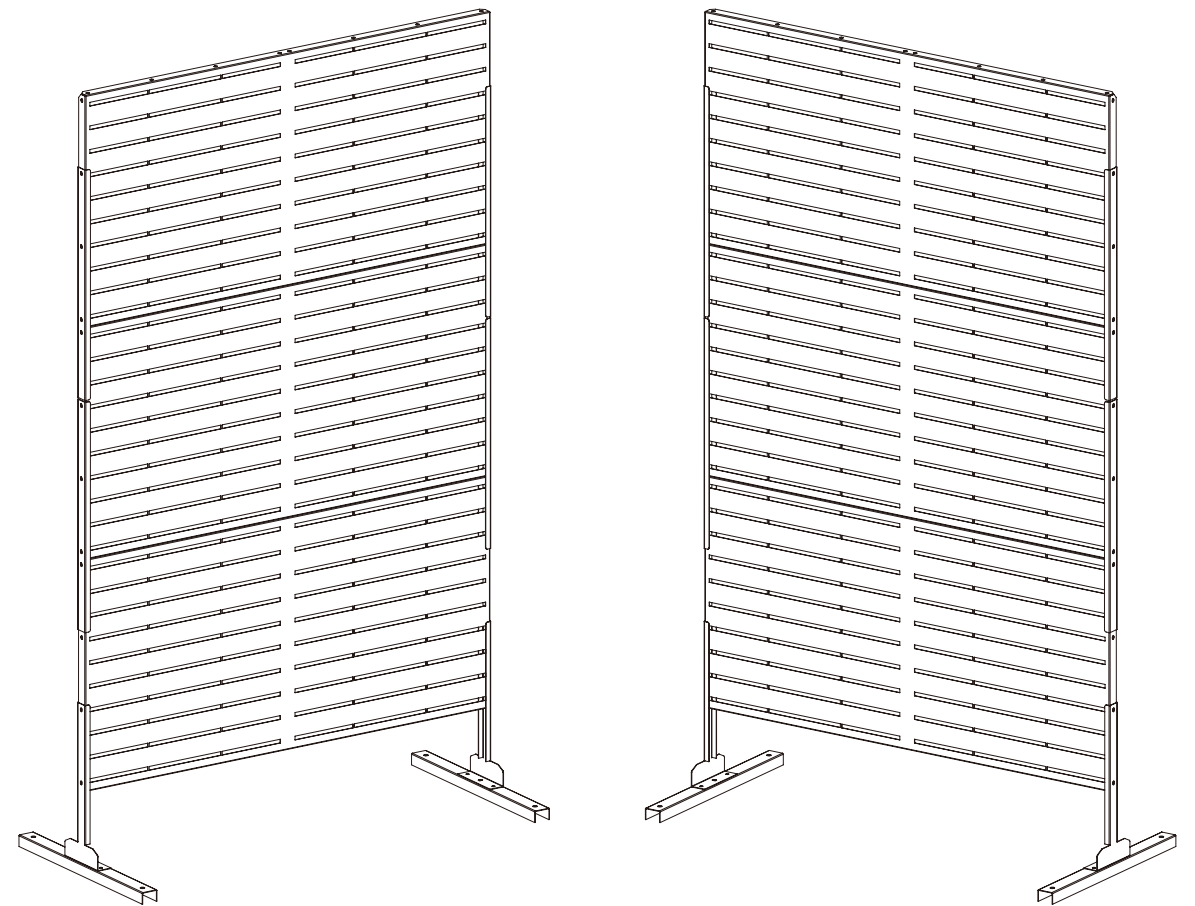


# Outdoor Privacy Screen



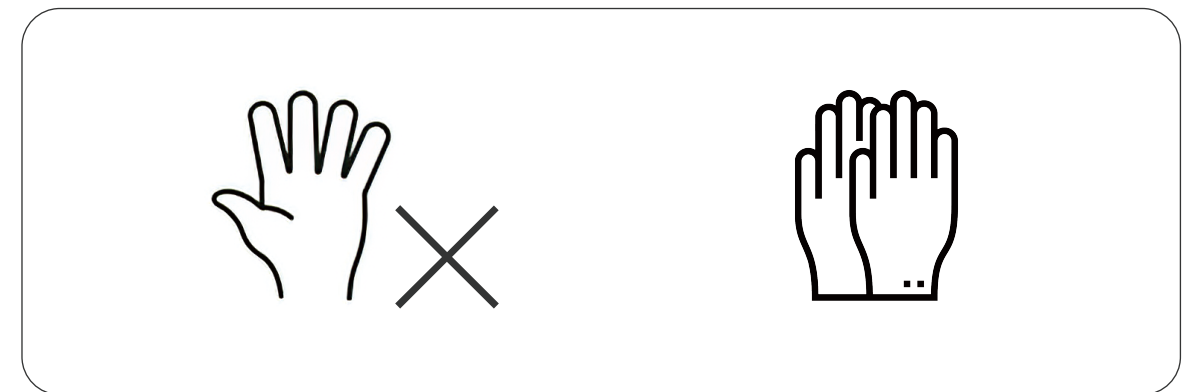
Keep updating...



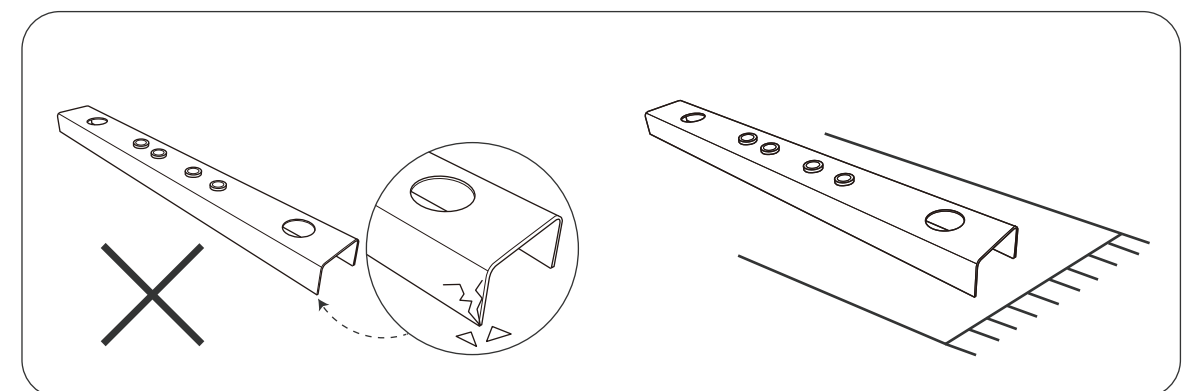
If the privacy screen will be used in a strong wind area, we highly recommend you using four Hex-Head Sleeve Anchors to fix the privacy screen on solid ground.

Before assembling, we recommend:

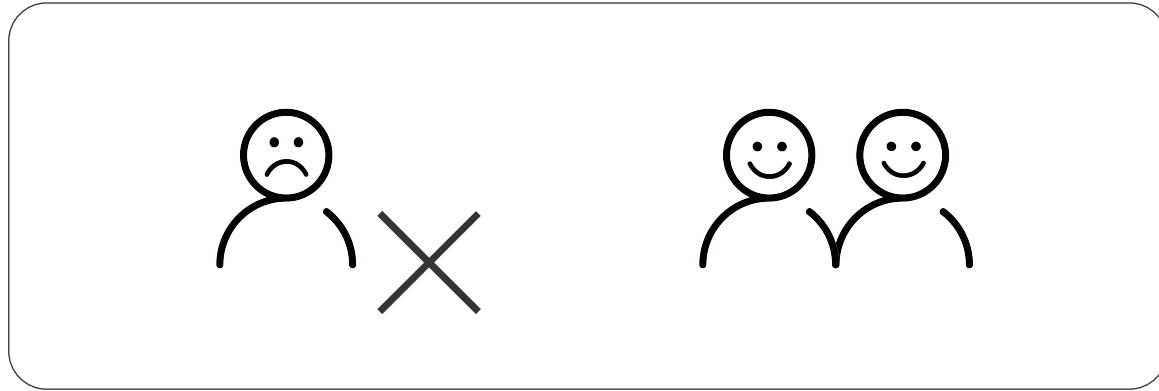
1. Wear Gloves.



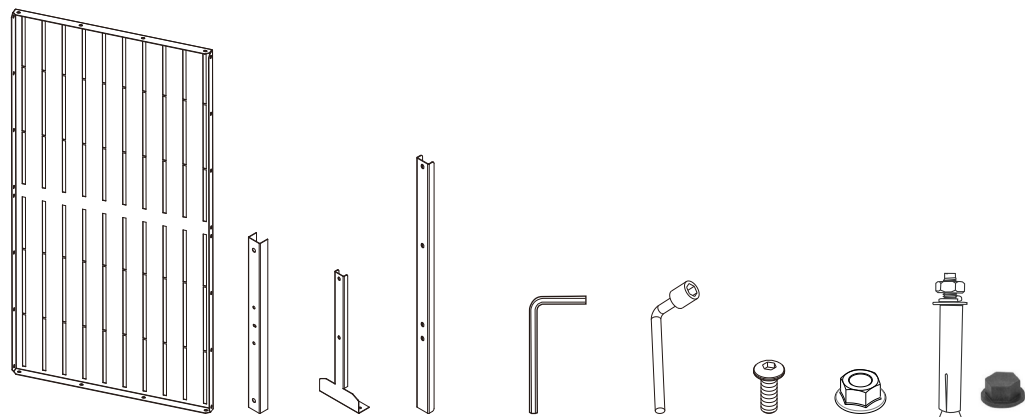
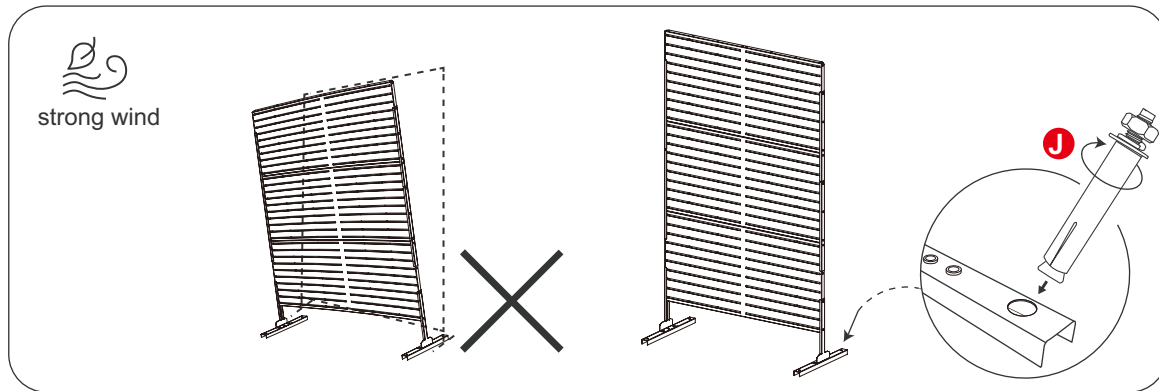
2. Don't assemble the privacy screen on a Hard Surface.



3. Ask for a Helping Hand.



4. Use Hex-Head Sleeve Anchors to fix the privacy screen on solid ground if necessary.



(A)	(B)	(C)	(D)	(E)	(F)	(G)	(H)	(I)	(J)
3pcs	2pcs	2pcs	4pcs	1pc	1 pc	50pcs	50pcs	50pcs	4pcs

ps:“\*”additional accessories part © for Vertical Installation only.

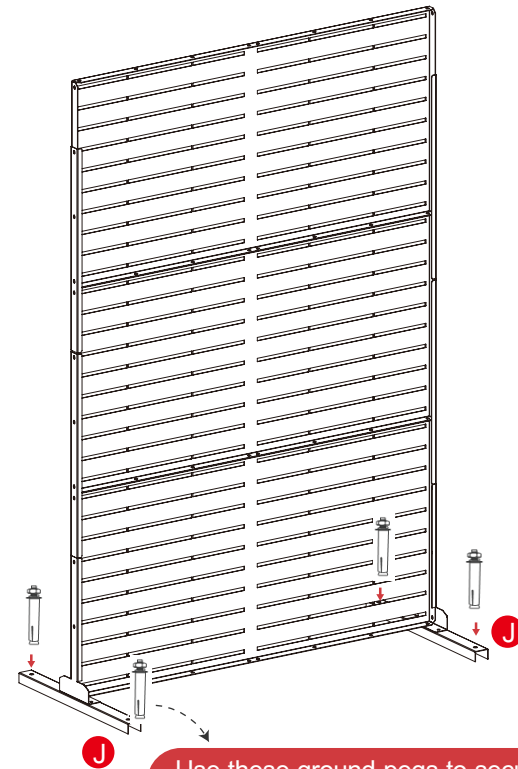
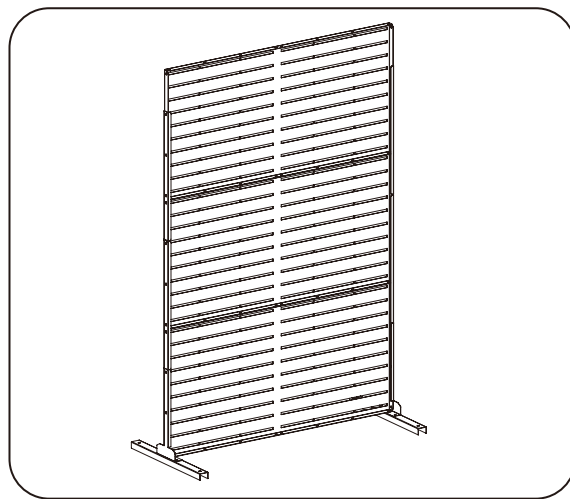
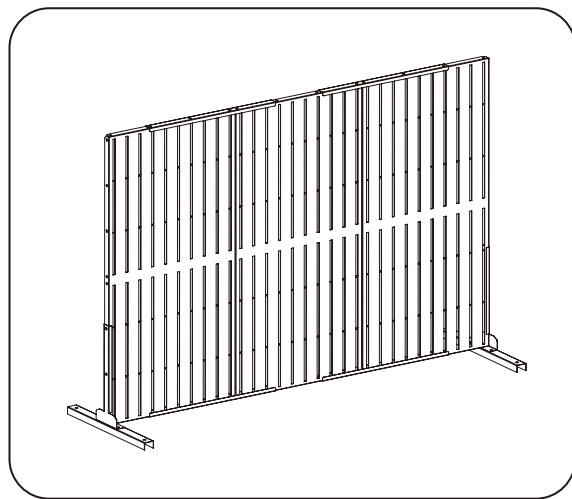
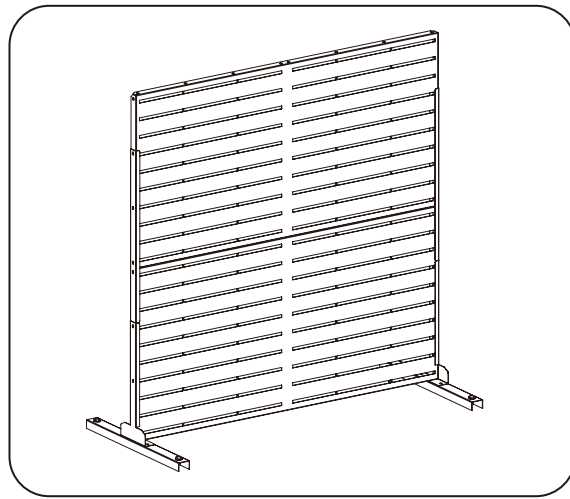
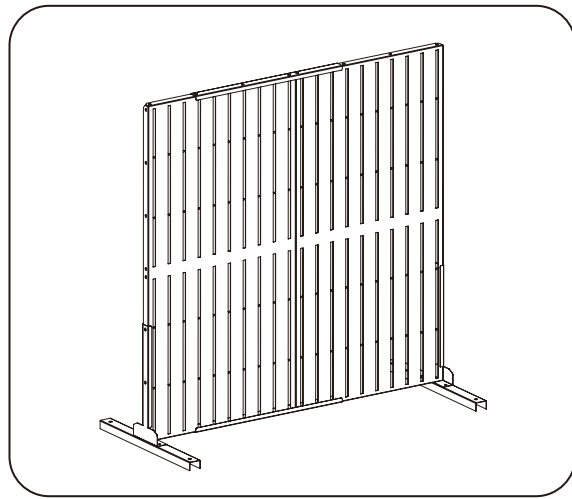
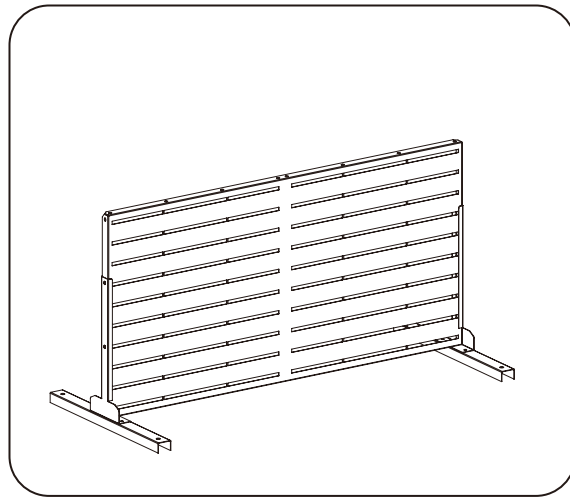
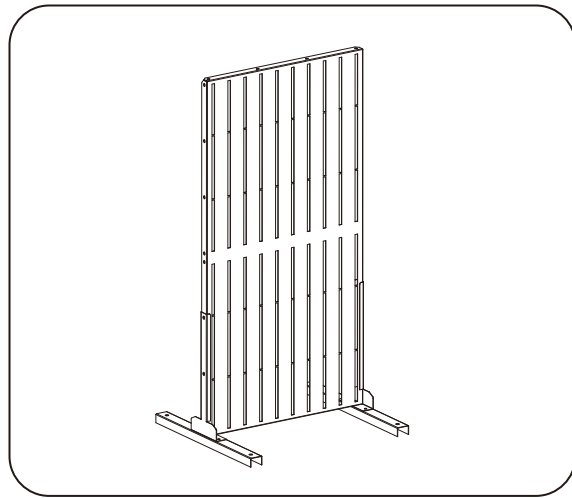
# Design

We have various choices of pattern for you:

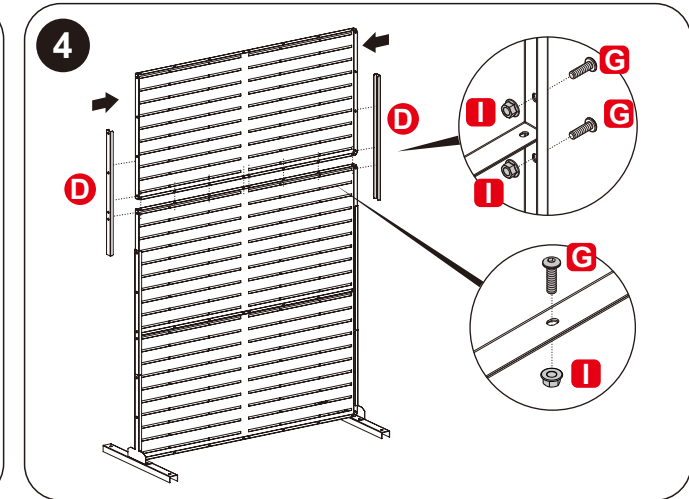
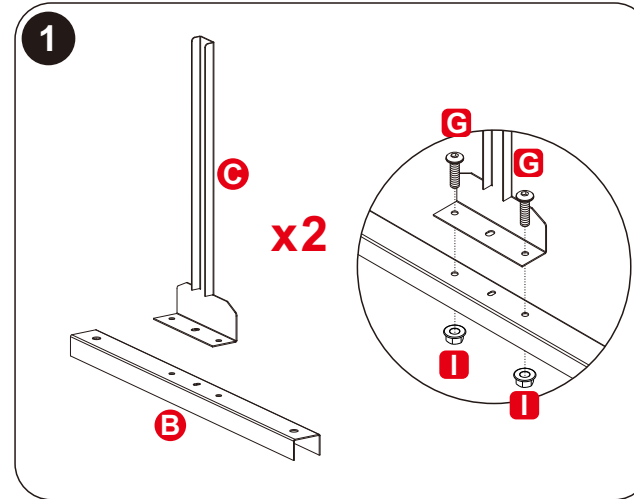
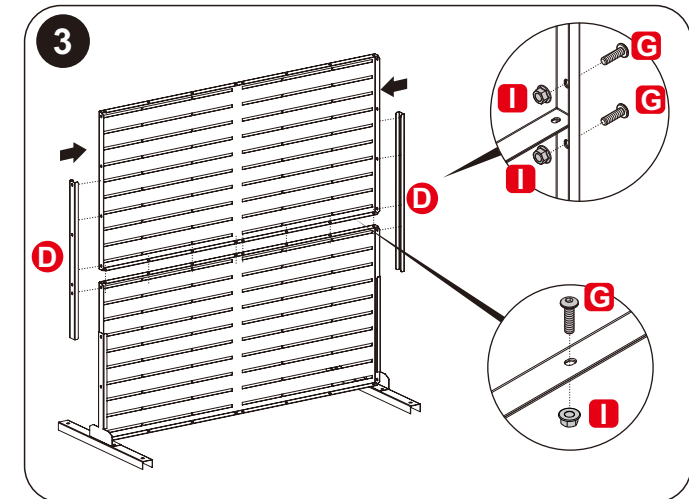
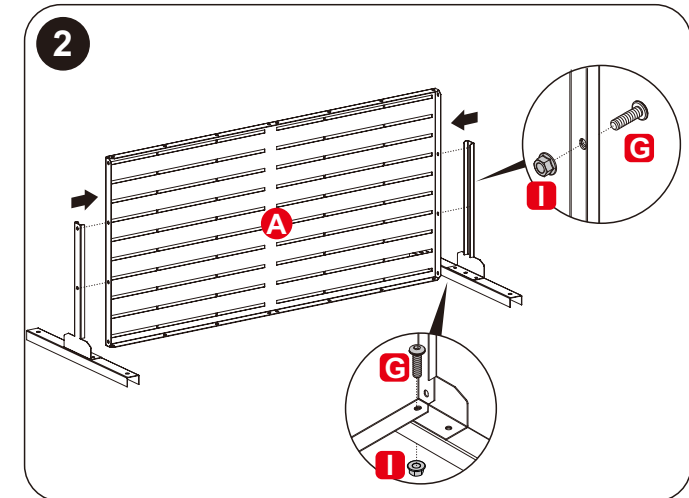
Quadra01 83% privacy	Block01 64% privacy	Louvered 86% privacy
Star01 83% privacy	Diagonal01 75% privacy	Web01 60% privacy
Cube 68% privacy	Flowleaf01 65% privacy	Brick01 86% privacy

# Single Panel & Stand

# Vertical Installation ( 72"Height )



Use these ground pegs to secure the metal privacy screen in the soil



# Vertical Installation ( 76"Height )

# Horizontal Installation

