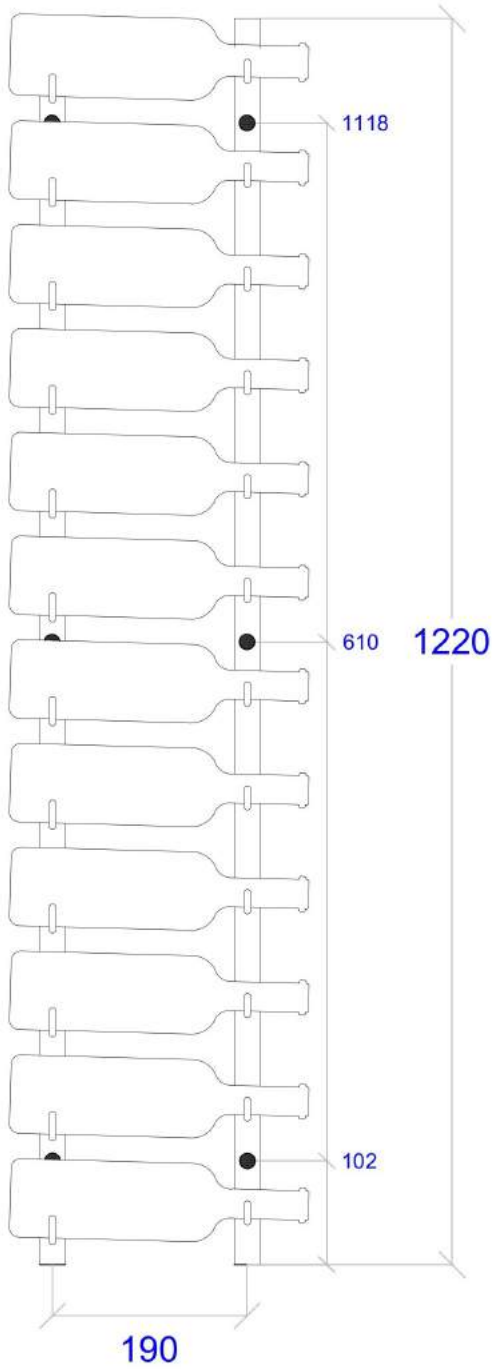


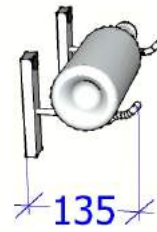
Wall Series - WS4 Spec Sheet

WS4x 1220mm wall mounted 12 bottle high wine rack

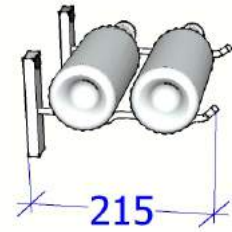
Item	Height	Depth	Capacity	Width
WS41	1220mm	135mm (1)	12 bottles	330mm minimum
WS42		215mm (2)	24 bottles	
WS43		305mm (3)	36 bottles	



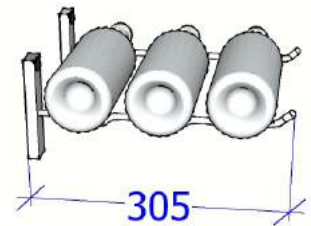
WS41
1 deep



WS42
2 deep



WS43
3 deep



Standard column width is 330mm (can be reduced by interleaving)
 Wall series racks come in 3, 6, 9 & 12 bottle high versions (each 1, 2 or 3 deep)
 Wall series kits combine these to create 15, 18, 21 & 24 high displays

S O L U T I O N S