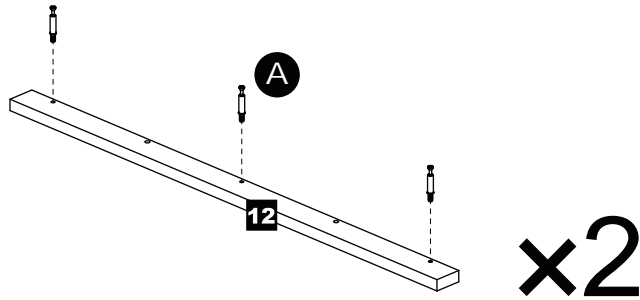


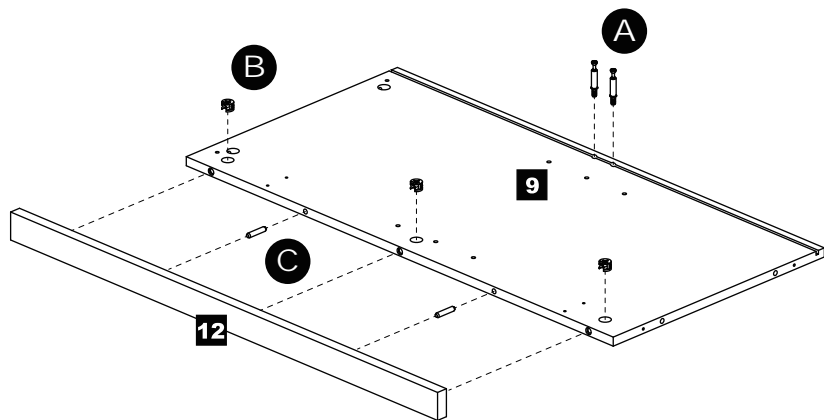
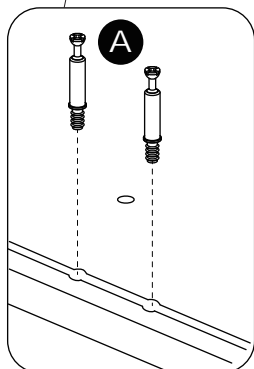
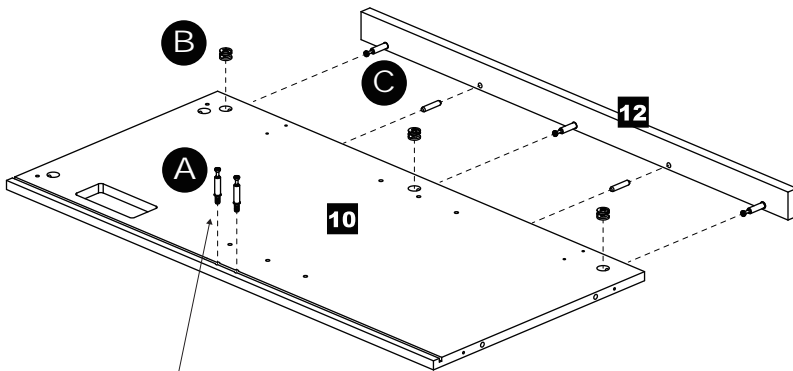
INSTALLATION STEPS



STEP 11



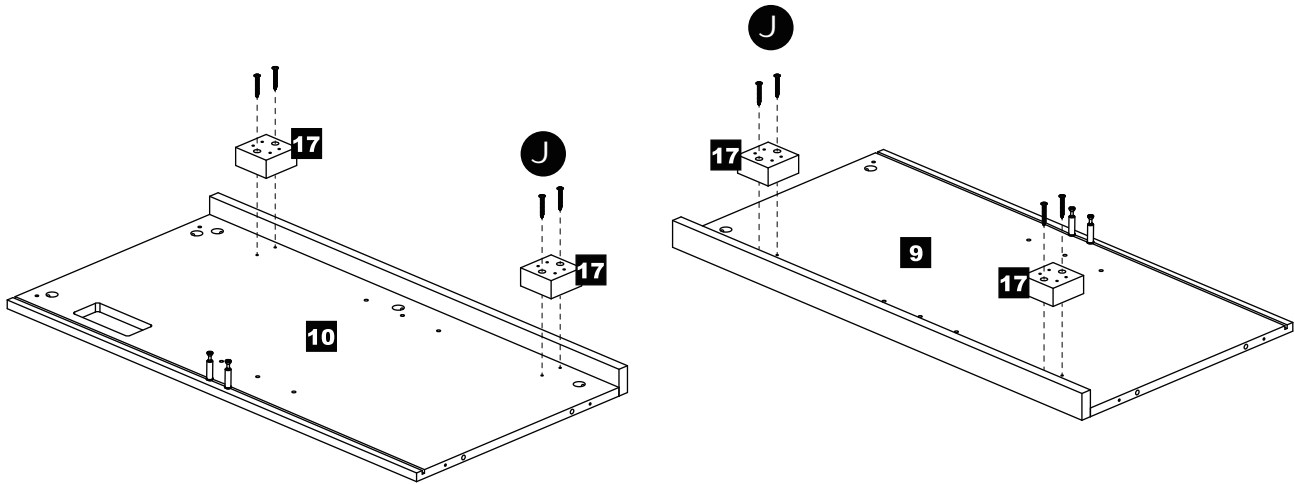
STEP 12



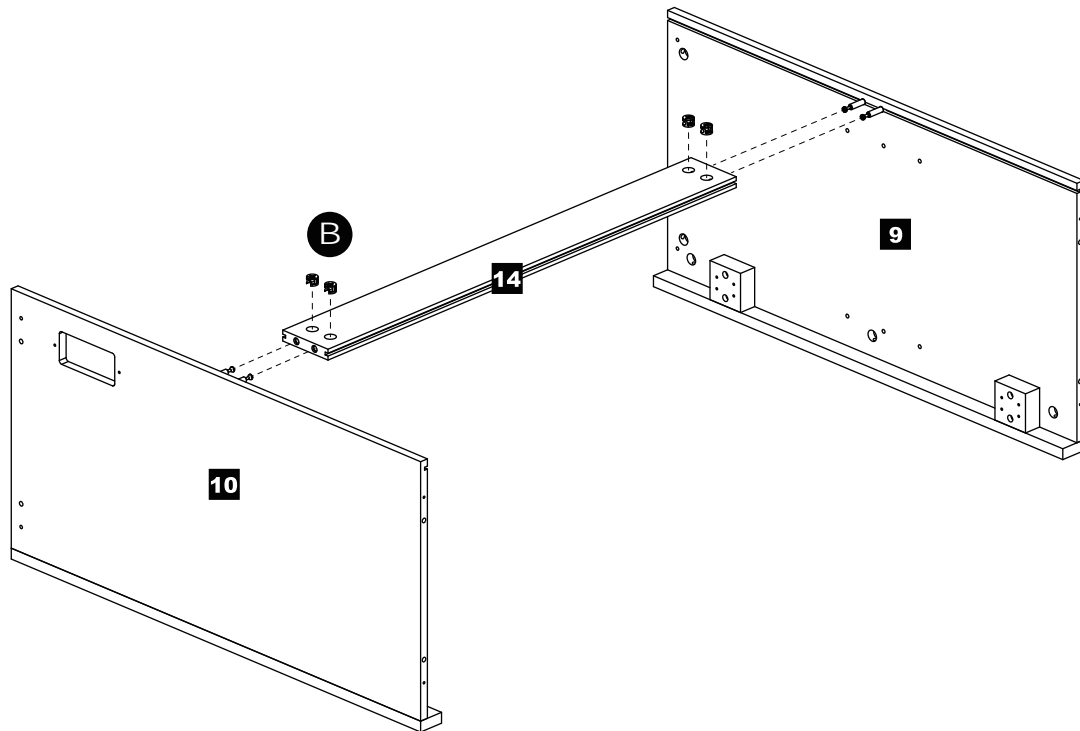
INSTALLATION STEPS



STEP 13

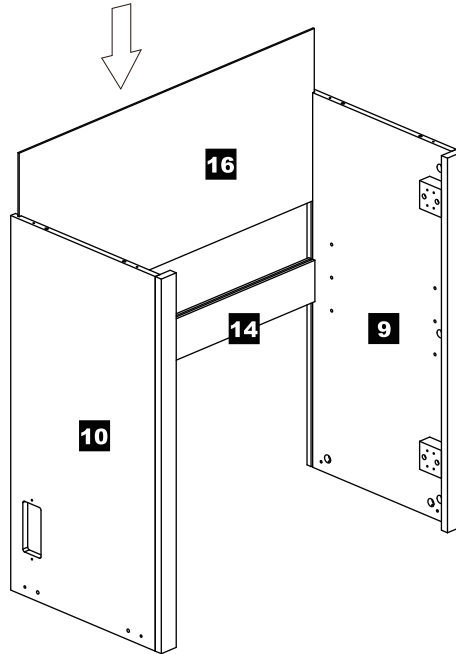


STEP 14

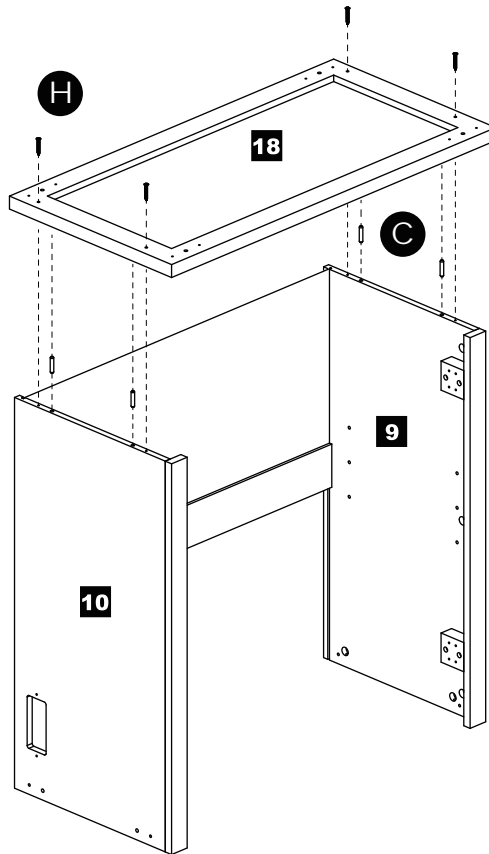


INSTALLATION STEPS

STEP 15



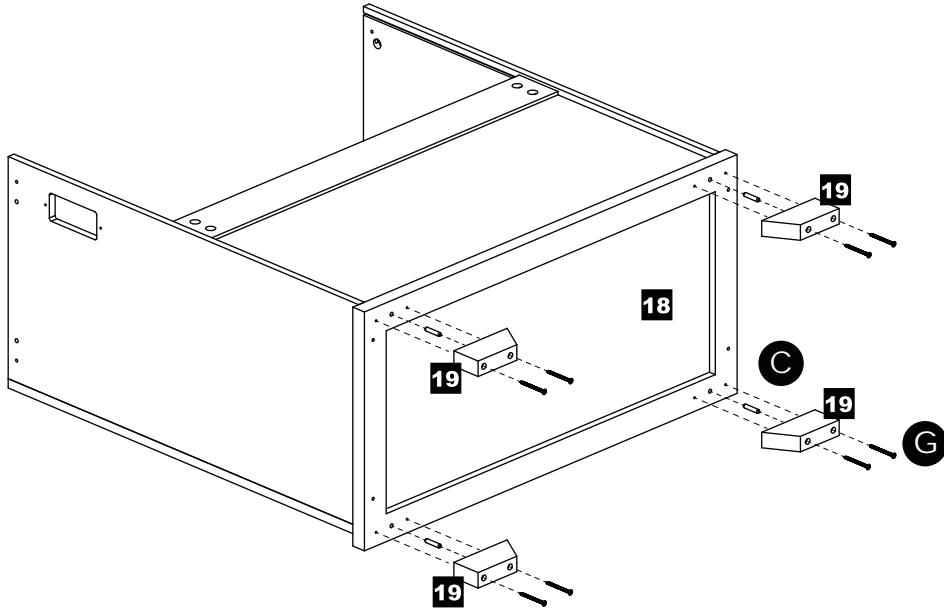
STEP 16



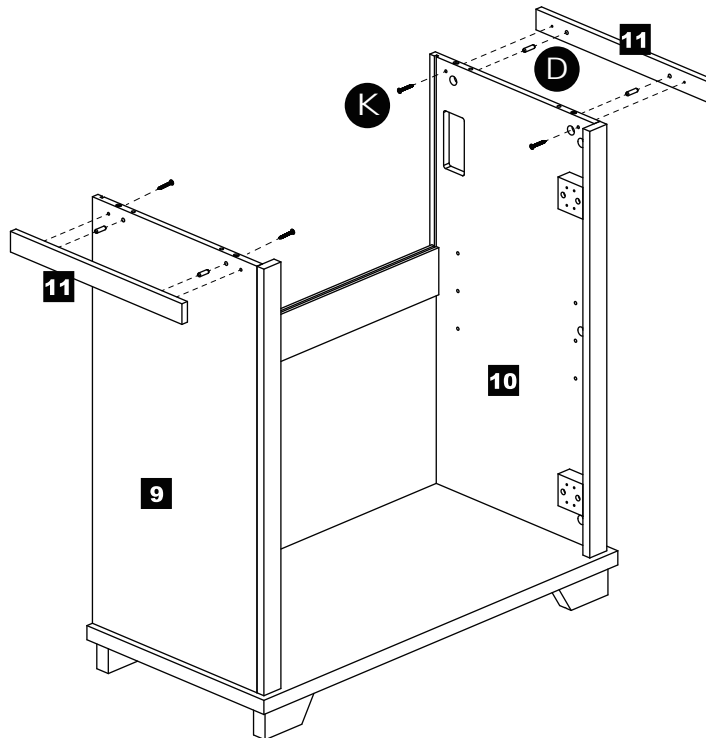
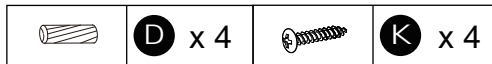
INSTALLATION STEPS



STEP 17



STEP 18



INSTALLATION STEPS



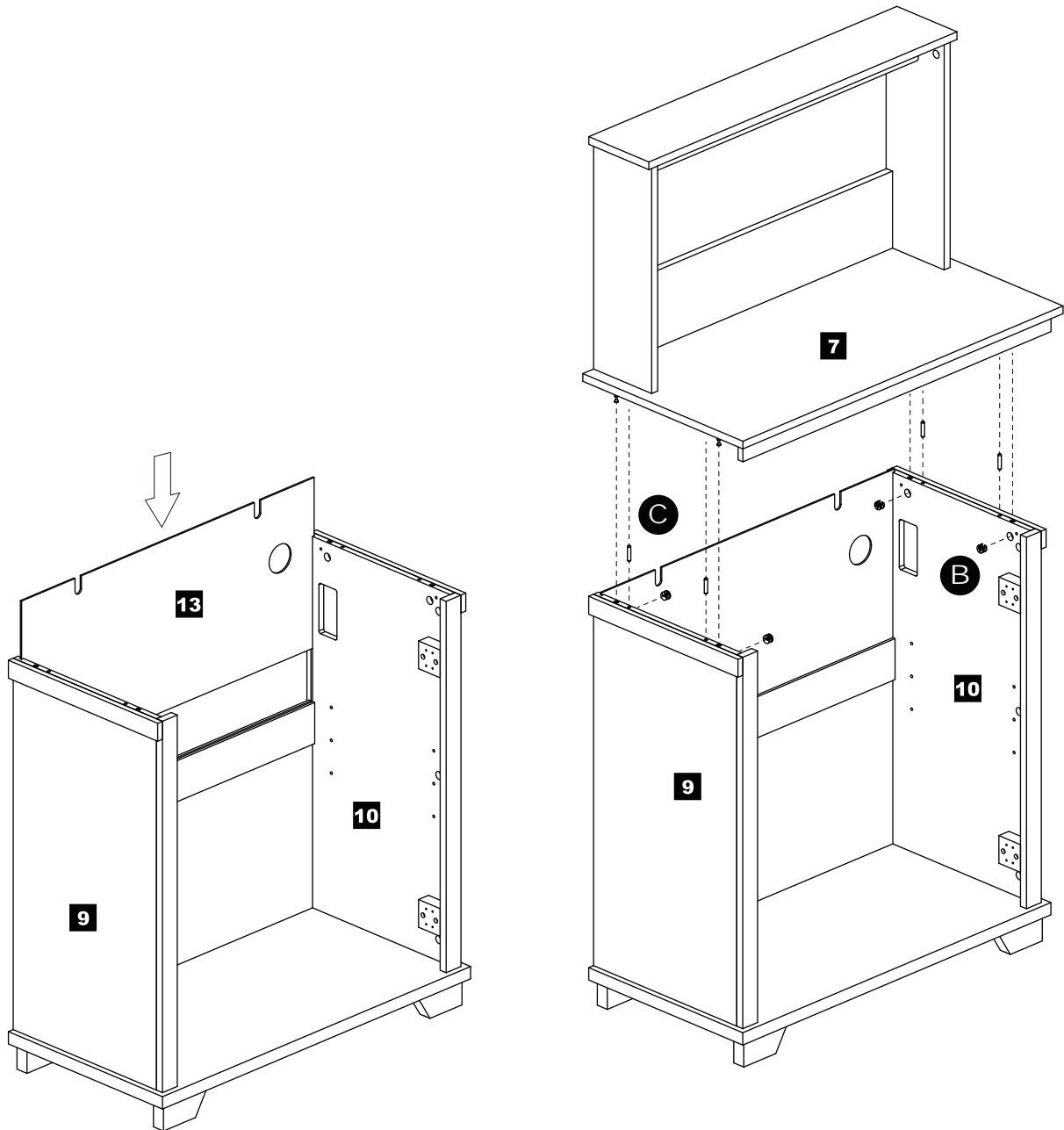
STEP 19



B x 4



C x 4

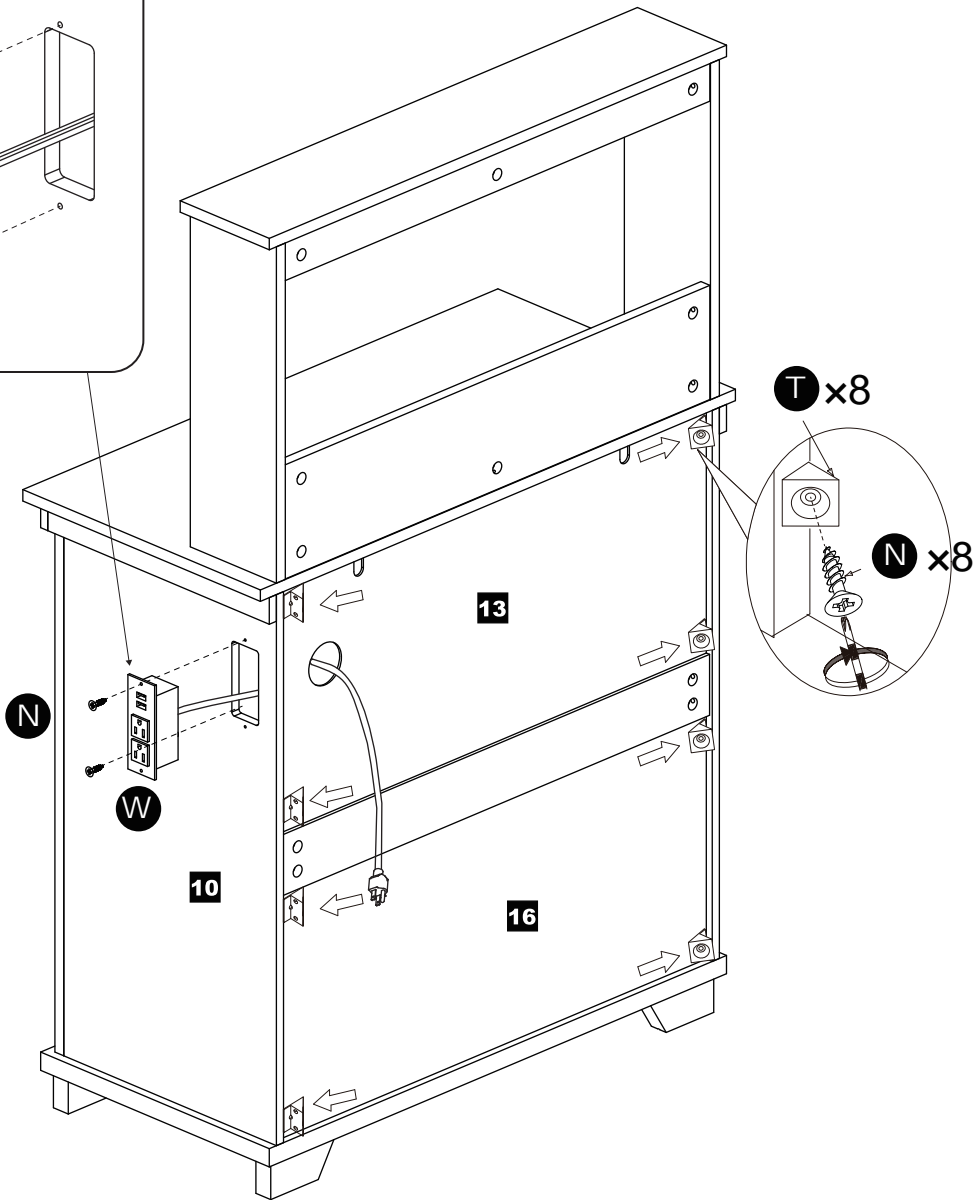
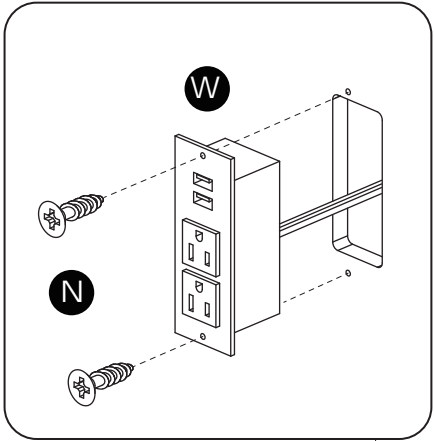


INSTALLATION STEPS



STEP 20

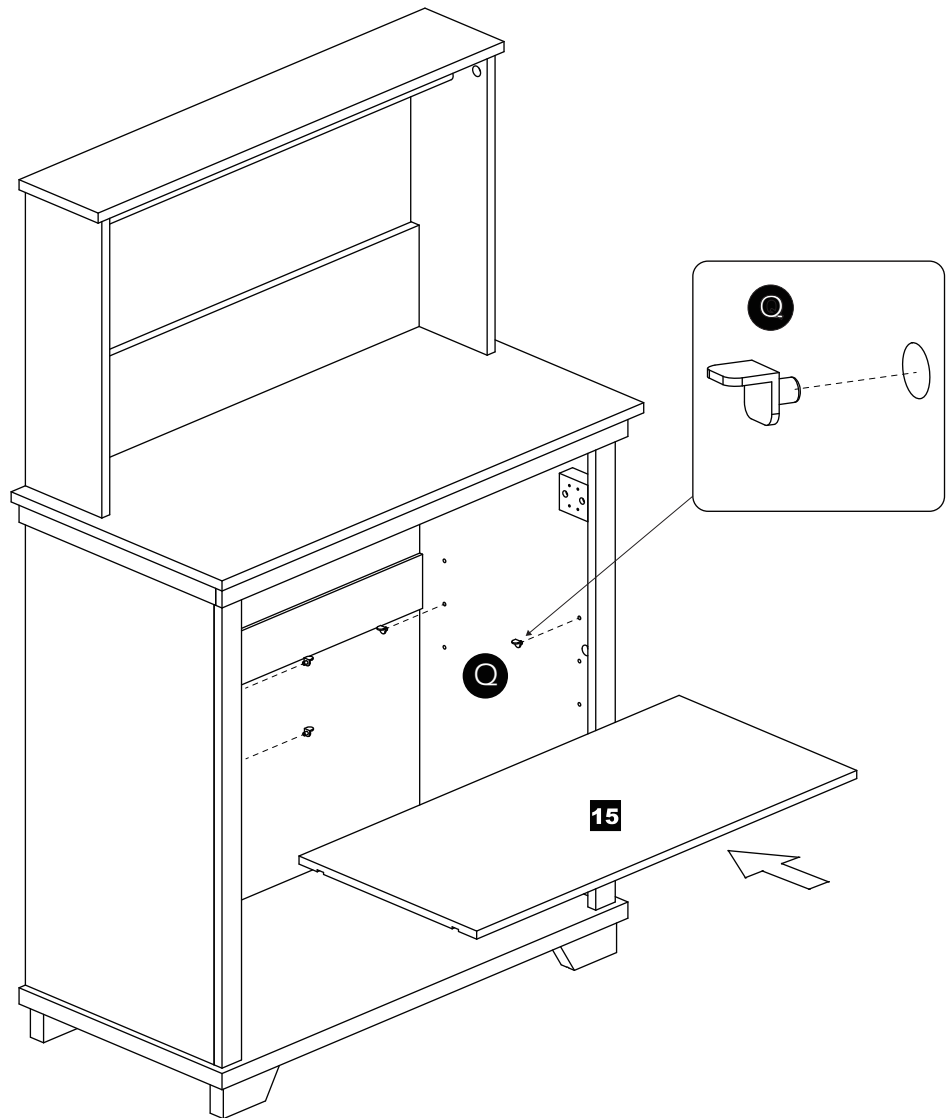
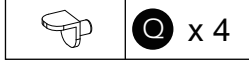
	N x 10		T x 8		W x 1
--	---------------	--	--------------	--	--------------



INSTALLATION STEPS



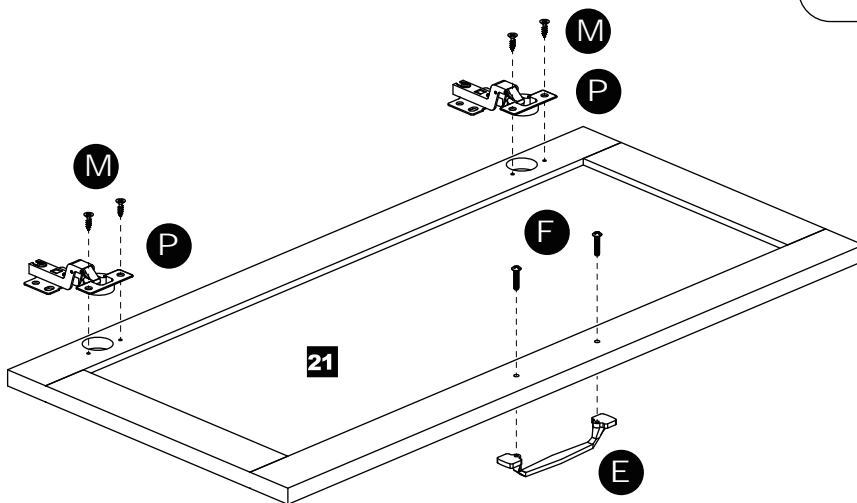
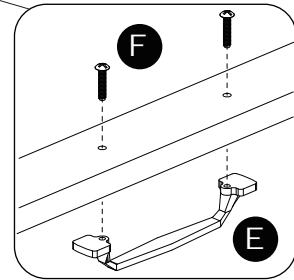
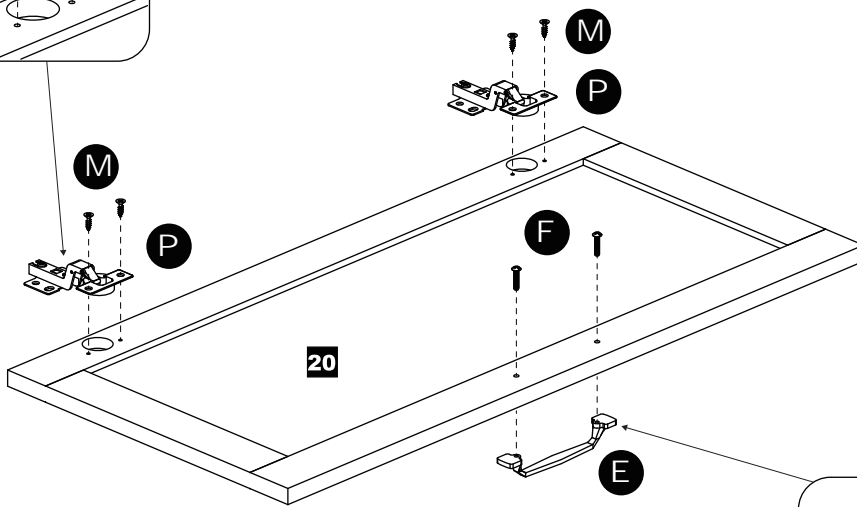
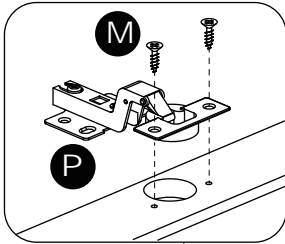
STEP 21



INSTALLATION STEPS

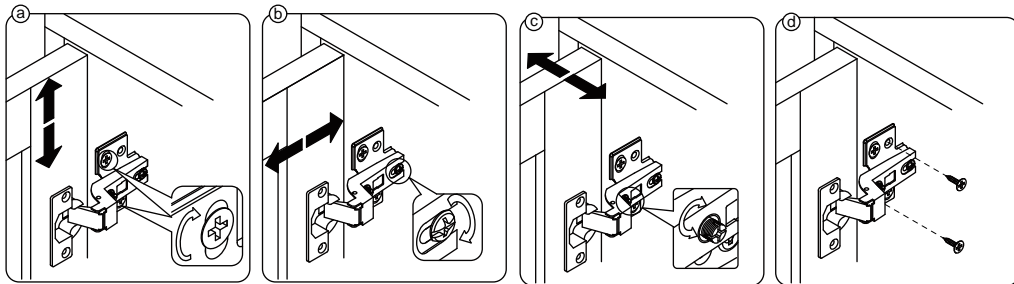
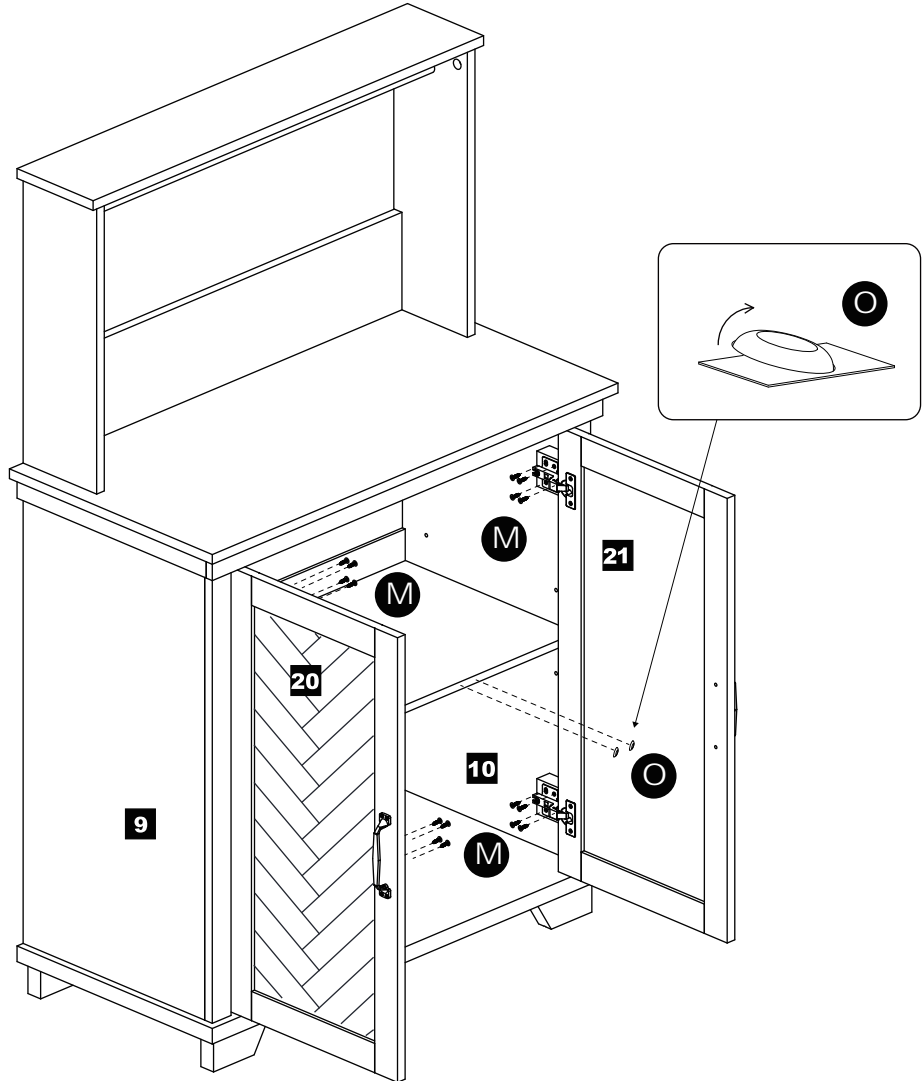
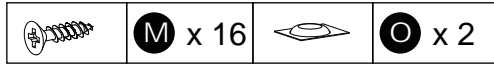


STEP 22



INSTALLATION STEPS

STEP 23



INSTALLATION STEPS

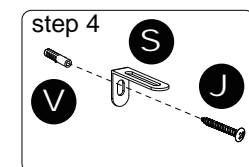
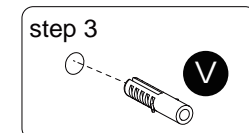
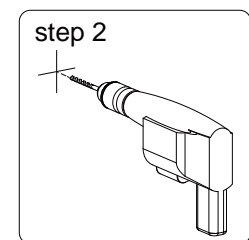
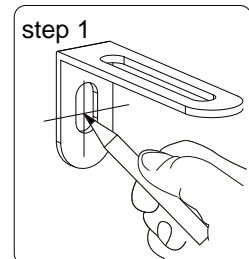
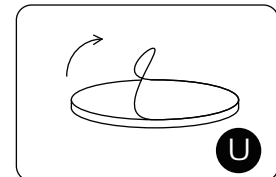
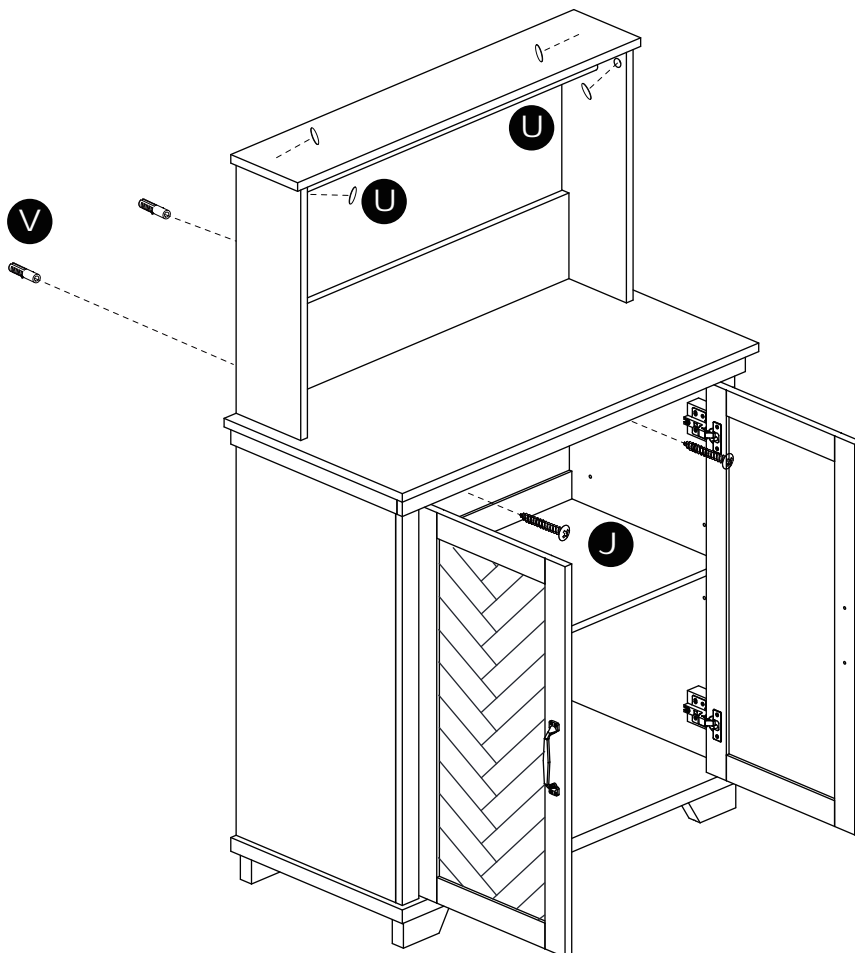


STEP 24



To reduce the risk of furniture tipping over ,
pls follow below steps to fix this item to the wall :

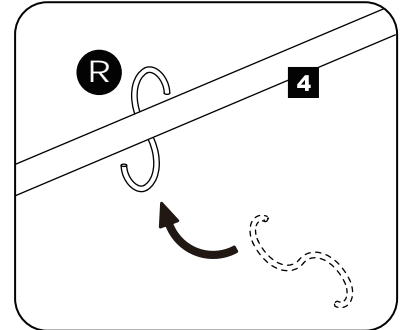
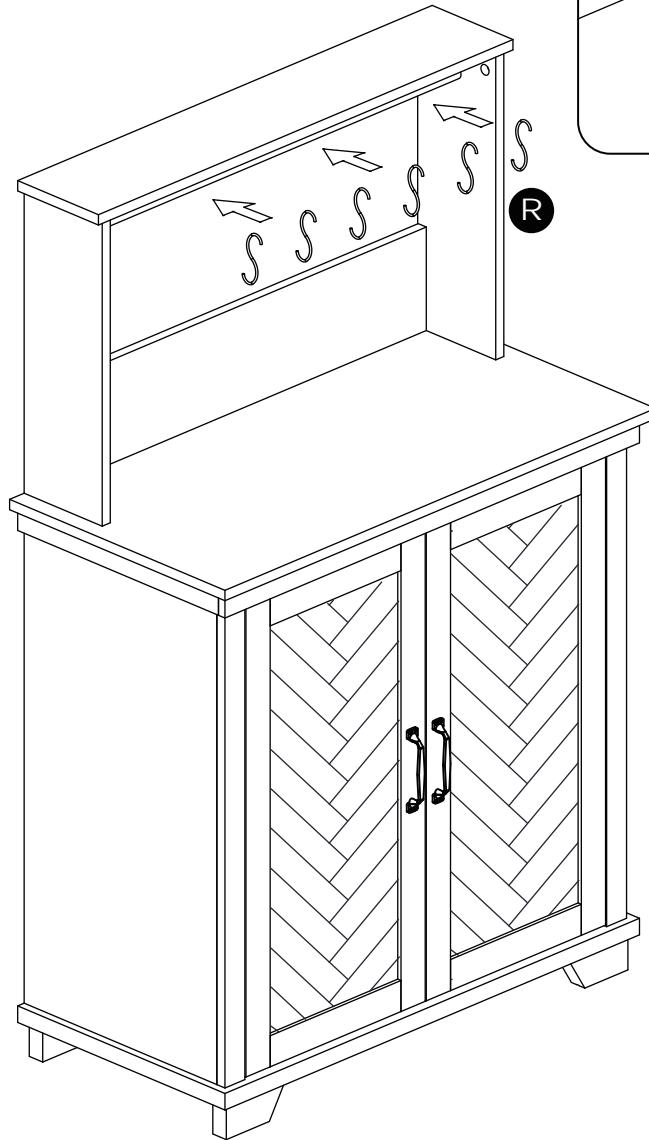
- 1) Place this cabinet to your desired location, use a pencil to make two small marks on solid wall through holes on wall bracket(S)
- 2) Move cabinet away ,follow the pencil mark to drill 2 holes on solid wall
- 3) Screw 2 wall anchors(V) into wall holes
- 4) Place cabinet against to the wall,insert 2 screws(J) through wall bracket(S) into wall anchors(V)



INSTALLATION STEPS



STEP 25



Warning:

Please double check and make sure all screws are firmly fixed before use