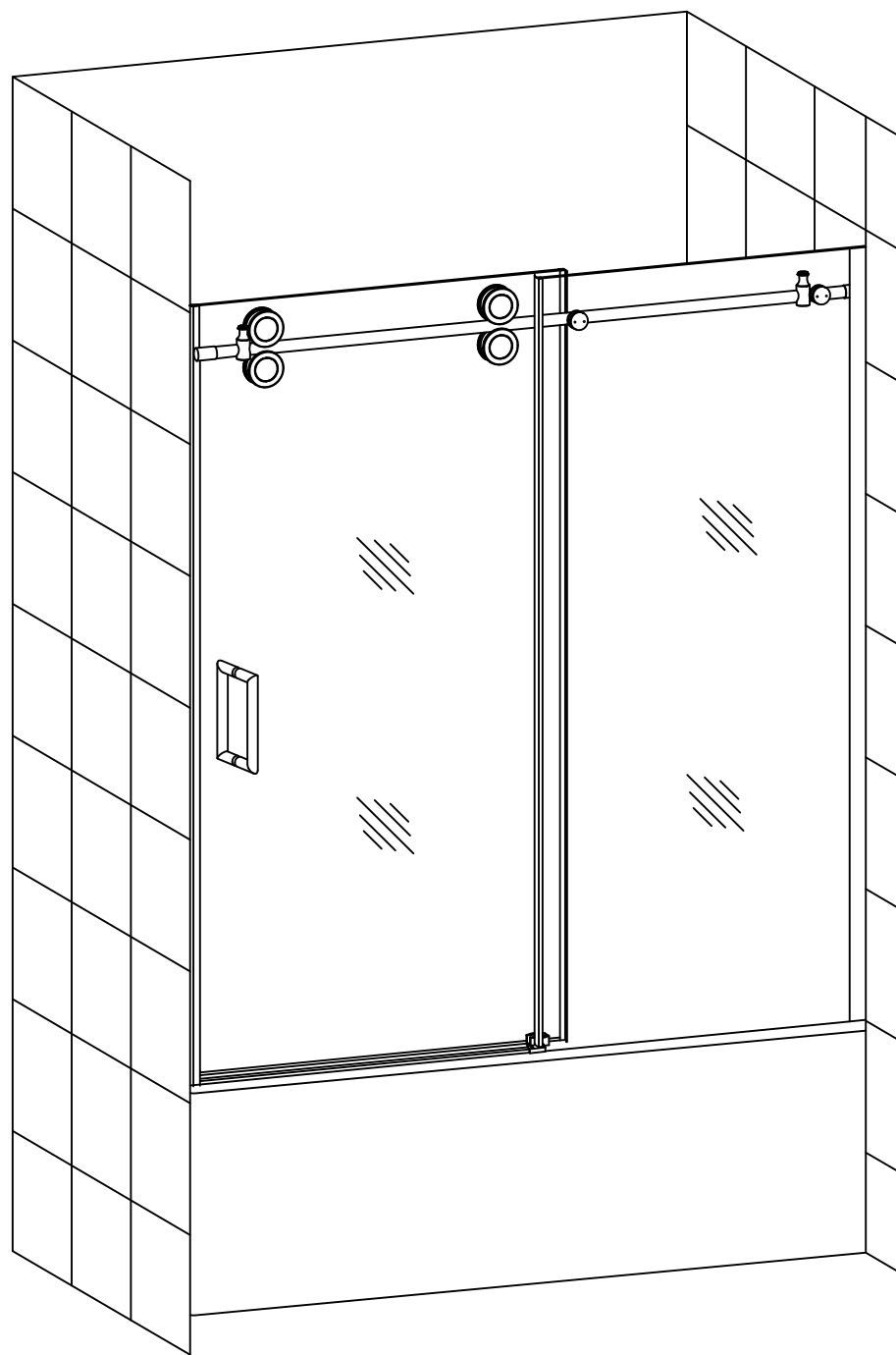


FOR TECHNICAL SUPPORT CONTACT:
972-424-6900
support@astonglobalinc.com
www.astonbath.com/support



ASSEMBLY INSTRUCTIONS AND OWNER'S MANUAL



LANGHAM XL FRAMELESS SLIDING TUB DOOR

Model Number: TDR978EZ.UC--6070-L**

**indicates hardware finish: CH/SS/MB/BG/ORB/NBR

For more information about Aston Shower Doors, Enclosures & Tub Doors, please visit astonbath.com

11/21 REV B



READ THESE WARNINGS BEFORE PROCEEDING

- **IMPORTANT** - Inspect all glass panels, parts, and hardware for damage prior to installing. Do not proceed if damage is detected.
- **IMPORTANT** - Glass is very HEAVY. It is recommended that this door be installed by professionals with a minimum of two adults who are experienced in the process.
- **IMPORTANT** - Glass is manufactured TEMPERED for safety, which causes it to shatter into small but sharp pieces, rather than large dagger like shards that could cause greater damage.
- **IMPORTANT** - The weakest point on tempered glass is the corners. Keep the plastic corner protectors on until the glass is in place. Even the slightest bump could cause the glass to shatter.
- **IMPORTANT** - DO NOT install the handle until the door is fully mounted. Lifting the door by the handle will cause the door to shatter.
- **IMPORTANT** - ALL EDGE SEALS MUST BE FULLY INSTALLED properly before usage. Warranty will be voided otherwise.
- **IMPORTANT** - On Sliding Door models, the door stop bumpers must be installed securely and adjusted to the prescribed distance from the wall. Warranty will be voided otherwise.
- **IMPORTANT** - All hardware must be installed properly as per instruction. If the hardware is loose, the door's heavy glass will sag placing it's panel corners in jeopardy. Alternatively, hardware that is overly tightened could put the door into stress.
- **IMPORTANT** - Once installed, treating the door by slamming it shut or throwing it open quickly could cause glass to shatter. Supervision should be provided for young children and the elderly.

Before You Start

Thank you and congratulations on your purchase of a new Shower Door from Aston. We hope it will provide you and your home with years of satisfying functionality, usage and beauty.



Please read this manual carefully as it contains information and instructions about how to safely and properly install this unit. If you do not follow these certain conditions for assembly, installation, and maintenance, your warranty may be affected.

1. Inspect boxes for shipping damage. If the product has been damaged, has parts missing, or has a finish defect, please contact our customer support department within five business days of the delivery date.
2. NOTE: You should consult with your local building codes with any questions regarding installation compliance standards. Plumbing and building codes may vary by location.
3. Before installing, ensure that all installation surfaces are level, and have the strength to support the heavy weight of this shower door assembly. This shower door should only be installed to your existing wall studs, or with pre-installed two-by-six wood reinforcements behind finished walls.
4. This Shower Door assembly is very heavy and requires professional installation.

Aston Shower Doors feature:

- Thick Tempered Safety Glass
- High quality hardware
- STARCAST by Enduro Shield glass protection (On Certain Models Only)

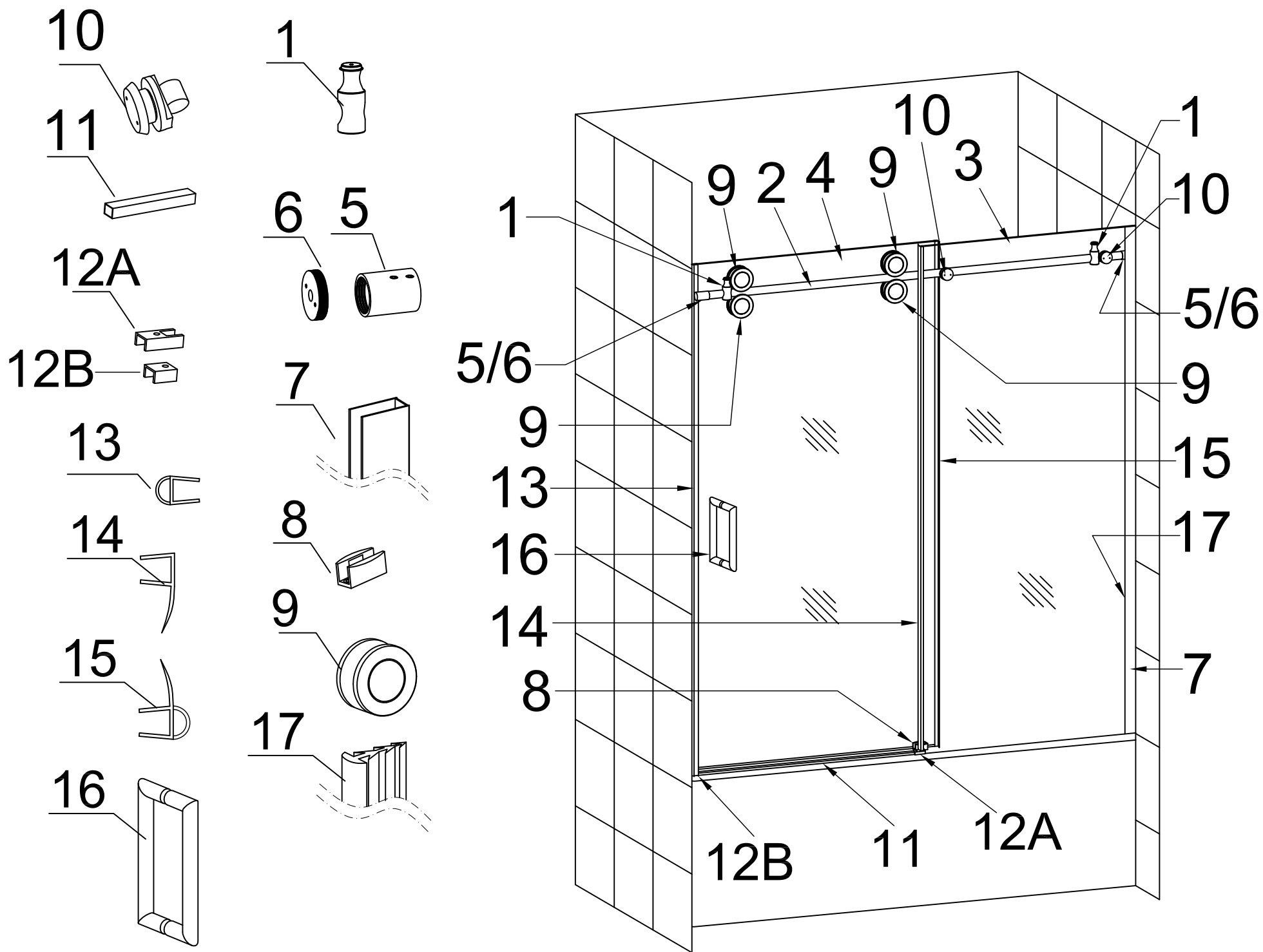
Certifications:

All Aston shower doors are tested extensively by third parties to meet the following US, Canadian and International Standards:

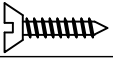

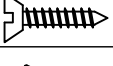
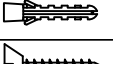



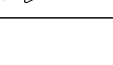
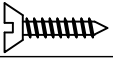

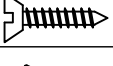
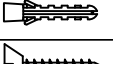



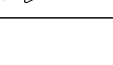
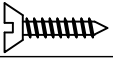

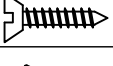
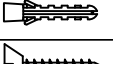



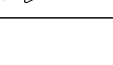
- ANSI Z97.1-2015 CLASS A
- CPSC 16 CFR 1201 II
- CAN/CGSB 12.1-2017

REMEMBER TO REGISTER your new Aston Shower Door today: astonbath.com/register to ensure proper service and activate warranties.

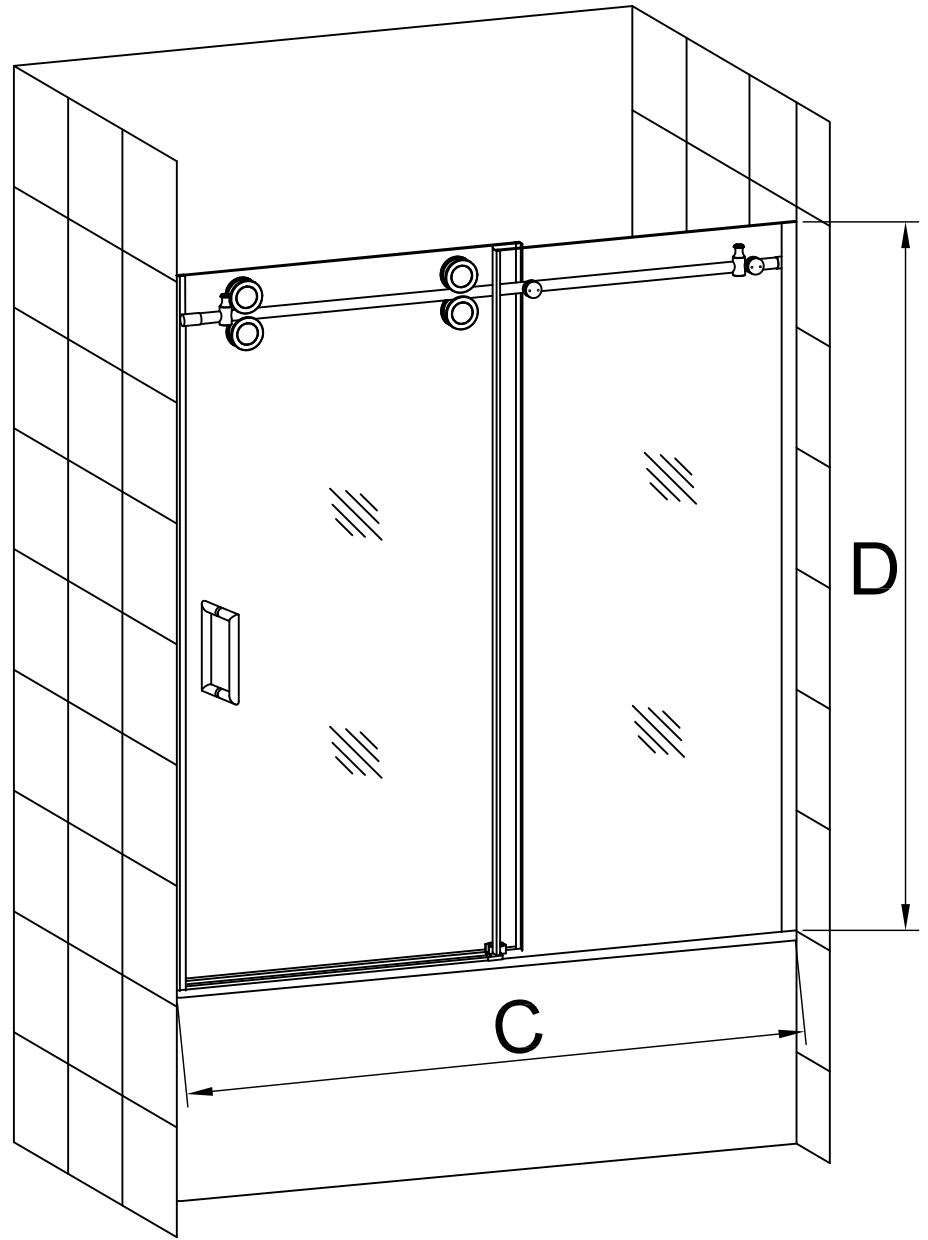
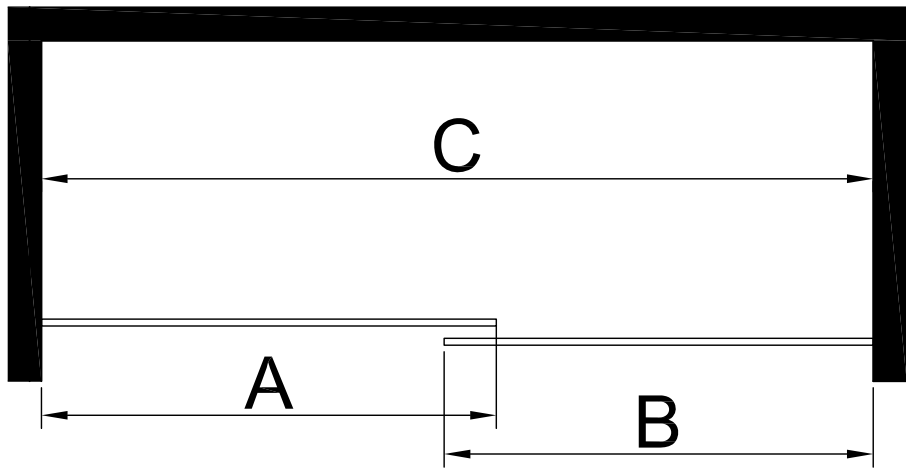
Detailed Diagram of Shower Door Components



Note: All part numbers marked with (*) are different depending on the width of shower opening.

#	Description	Qty.	Part No.	#	Description	Qty.	Part No.																																
01	Door Stopper	2	1560	14	Door Seal "F"	1	1730																																
02	Top Rail	1	1553	15	Door Seal "P"	1	1720																																
03	Fixed Glass	1	TDR*	16	Door Handle	1	1220																																
04	Sliding Door	1	TDR*	17	U-Channel Seal	1	1784																																
05	Rail End	2	1540	<table border="1"> <tbody> <tr> <td>SCREW PACK (1)</td> <td>M5x40</td> <td></td> <td>2</td> </tr> <tr> <td></td> <td>Anchor</td> <td></td> <td>2</td> </tr> <tr> <td>SCREW PACK (2)</td> <td>M4x40</td> <td></td> <td>2</td> </tr> <tr> <td></td> <td>Anchor</td> <td></td> <td>2</td> </tr> <tr> <td>SCREW PACK (3)</td> <td>M4x40</td> <td></td> <td>2</td> </tr> <tr> <td></td> <td>Anchor</td> <td></td> <td>2</td> </tr> <tr> <td>Located with U-channel</td> <td>M4x40</td> <td></td> <td>3</td> </tr> <tr> <td></td> <td>Anchor</td> <td></td> <td>3</td> </tr> </tbody> </table>				SCREW PACK (1)	M5x40		2		Anchor		2	SCREW PACK (2)	M4x40		2		Anchor		2	SCREW PACK (3)	M4x40		2		Anchor		2	Located with U-channel	M4x40		3		Anchor		3
SCREW PACK (1)	M5x40							2																															
	Anchor		2																																				
SCREW PACK (2)	M4x40		2																																				
	Anchor		2																																				
SCREW PACK (3)	M4x40		2																																				
	Anchor		2																																				
Located with U-channel	M4x40		3																																				
	Anchor		3																																				
06	Wall Mount	2																																					
07	Vertical Channel	1	1970																																				
08	Sliding Door Track Divider	1	1520																																				
09	Upper / Bottom Roller Assembly	4	1300																																				
10	Fixed Glass Bolt Assembly	2	1570																																				
11	Door Threshold Bar	1	1530																																				
12A	Door Threshold End Cap Set	1	1531																																				
12B																																							
13	Door Seal "D"	1	1741																																				

Product Dimensions



Model #	Dimension "A" Sliding Door	Dimension "B" Fixed Glass	Dimension "C" Width	Dimension "D" Height
TDR978EZ.UC-CH-6070-L	32 ⁵ / ₈ " X 69 ⁵ / ₈ "	29 ¹ / ₂ " X 70"	56" to 60"	70"
TDR978EZ.UC-SS-6070-L				
TDR978EZ.UC-MB-6070-L				
TDR978EZ.UC-BG-6070-L				
TDR978EZ.UC-ORB-6070-L				
TDR978EZ.UC-NBR-6070-L				

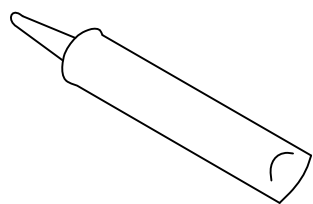
Assembly and Installation Guide

Please read the following assembly and installation instructions and guidelines in this section.

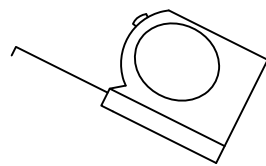
Failure to follow the recommended instructions and installation techniques may lead to possible damage to the unit, the surrounding area, or can cause serious personal injury. This can affect warranty claims as well.

ATTENTION: This unit requires assembly. A minimum of two people are required for assembly and installation, as several of the components are large and unstable until fully assembled.

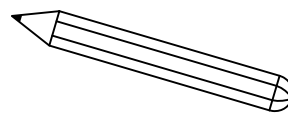
You will need the following tools before proceeding:



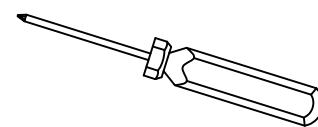
Caulk



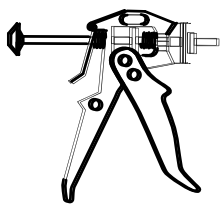
Tape Measure



Pencil



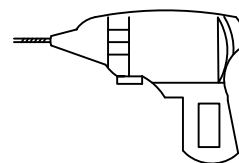
Phillips Screwdriver



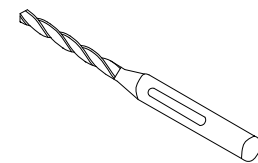
Caulk Gun



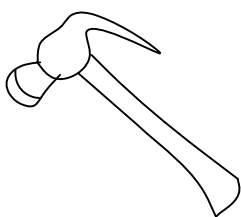
Level



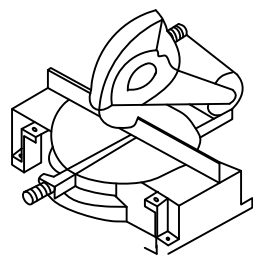
Electric Drill



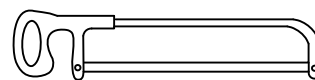
Drill Bit (Ø $\frac{1}{8}$ " & $\frac{5}{16}$ ")



Hammer



Miter Saw or Hacksaw

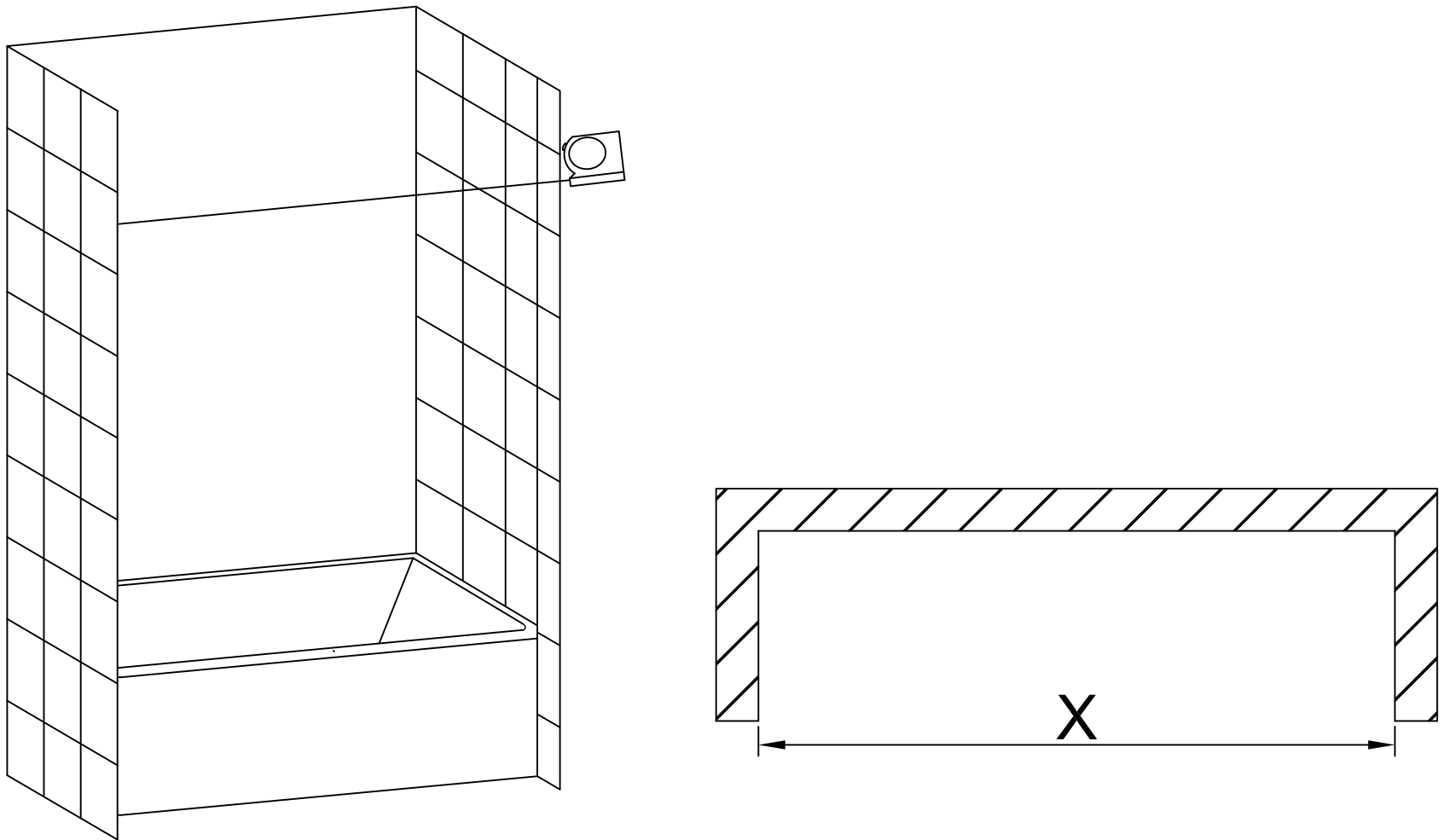


Razor Knife

Locate the accessory box and remove the individual parts and components, as well as the screw and hardware packages. Lay them out in sequential order to aid in the completion of the installation.

NOTE: DO NOT throw any packaging away until door is assembled. Door seals are sometime confused as packaging. Please locate them immediately and set them aside for later use.

Shower Door Installation

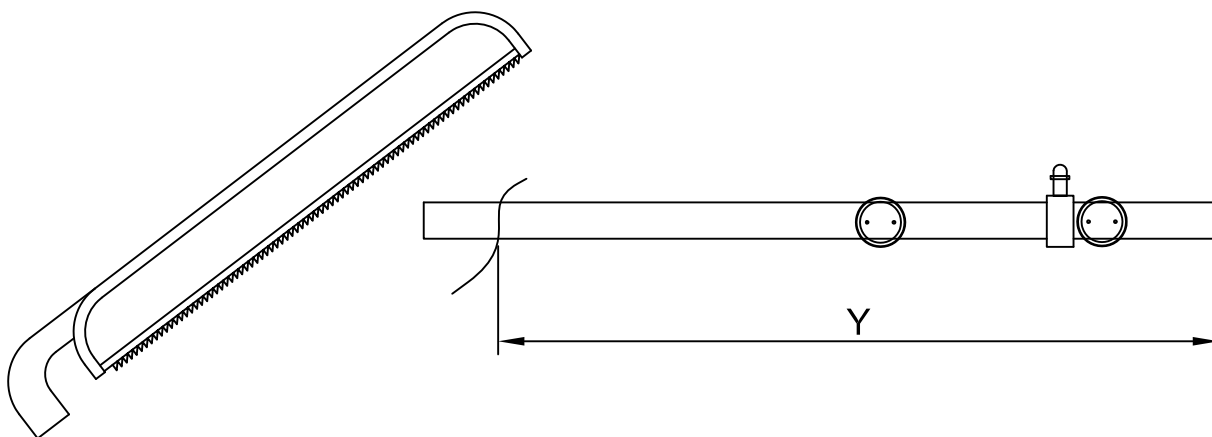


1. Measure the width of the shower opening at the top between the 2 walls. Note this is dimension "X".

The following equation is used to determine the length to be cut from the Top Rail (2) in order to fit your shower's opening:

$$Y = X - \frac{5}{8}''$$

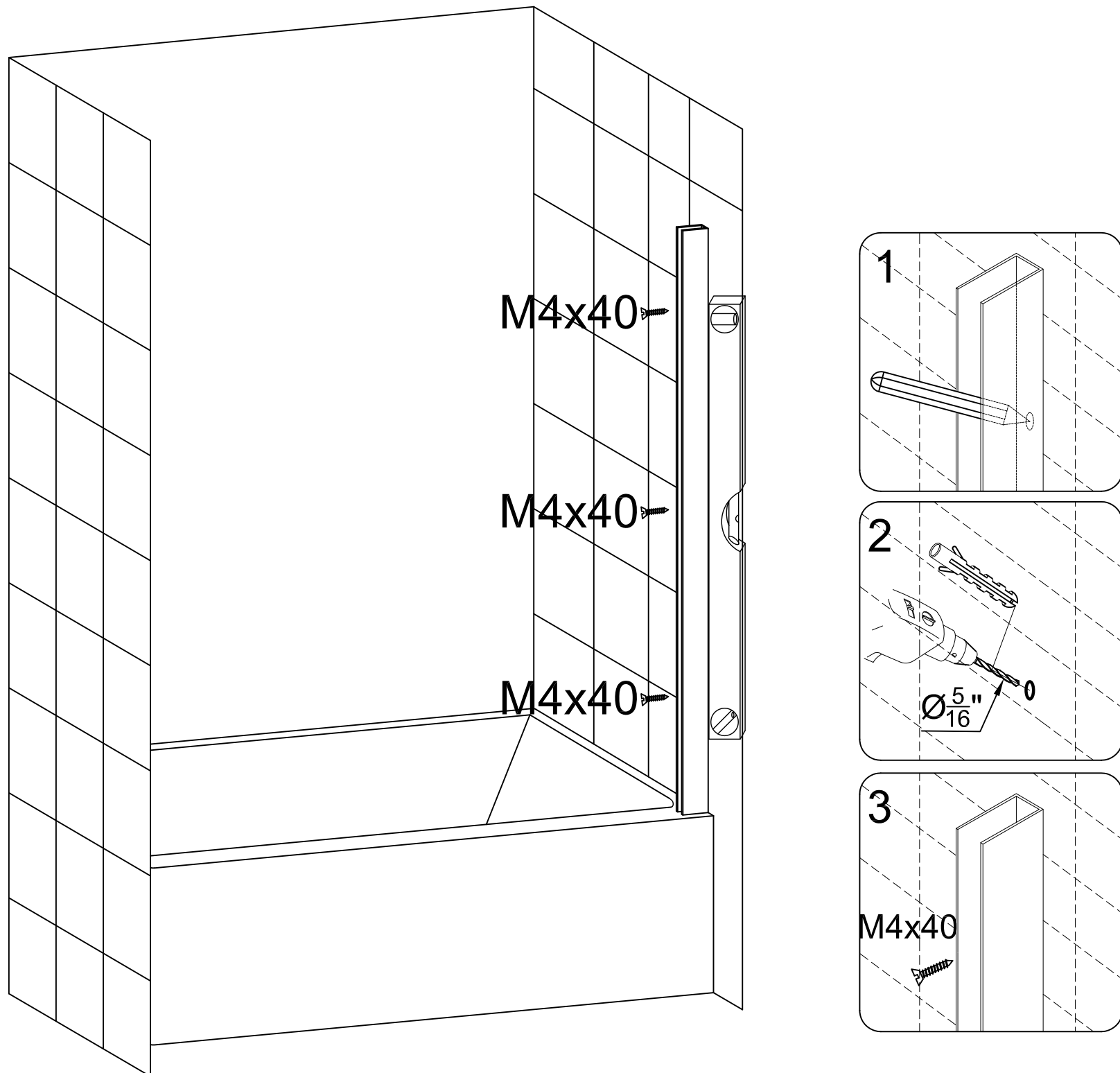
2. Measure distance "Y" from the end of Top Rail (2) with pre-assembled hardware and mark the rail.



3. Using a Hacksaw or Jigsaw cut the Top Rail (2) at the mark. Carefully remove any burrs or sharp edges remaining on Top Rail (2) after cutting.

NOTE: Do not cut the end of top rail with pre-assembled hardware. Only cut the end of top rail opposite the pre-assembled hardware.

Installation of Vertical Channel



NOTE:

Please check with a level to ensure that the Vertical Channel (7) is absolutely plumb against your shower alcove wall.

1. Mark the position of the Vertical Channel (7) to place location(s) of drilled holes. See Figure 1.
2. Using the appropriate drill bit for your wall surface. Drill each hole location with a 5/16" diameter drill bit. Install the plastic Wall Anchors provided into the drilled holes on wall surface. See Figure 2.

NOTE: If your surface is prone to cracking or chipping then it is recommended that you pilot drill first using a smaller drill bit, and then scale up to the final size.

3. Install the Vertical Channel (7) to the wall using M4x40 Screws. See Figure 3.

Mark the Top Rail Location



WARNING: Could cause SERIOUS INJURY. Glass is very HEAVY. It is recommended that this door be installed by professionals with a minimum of two installers.

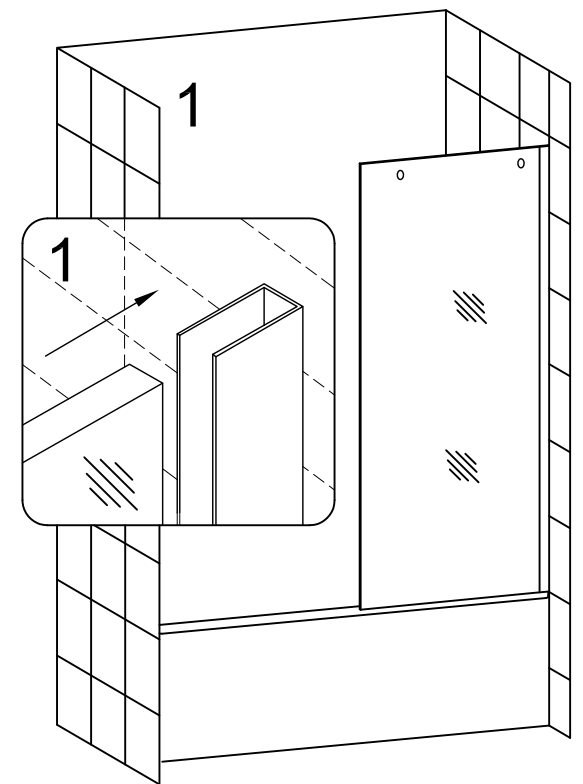


WARNING: Could cause SERIOUS INJURY. This glass is TEMPERED which causes it to shatter into small but sharp pieces, rather than large dagger like shards that could cause greater damage.

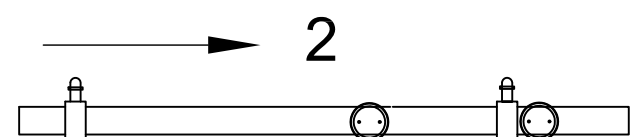


WARNING: Could cause SERIOUS INJURY. The weakest point on tempered glass is the corners. Keep the plastic corner protectors on until the glass is in place. Even the slightest bump could cause the glass to shatter.

1. Insert the Fixed Glass (3) in Vertical Channel (7).
See Figure 1.



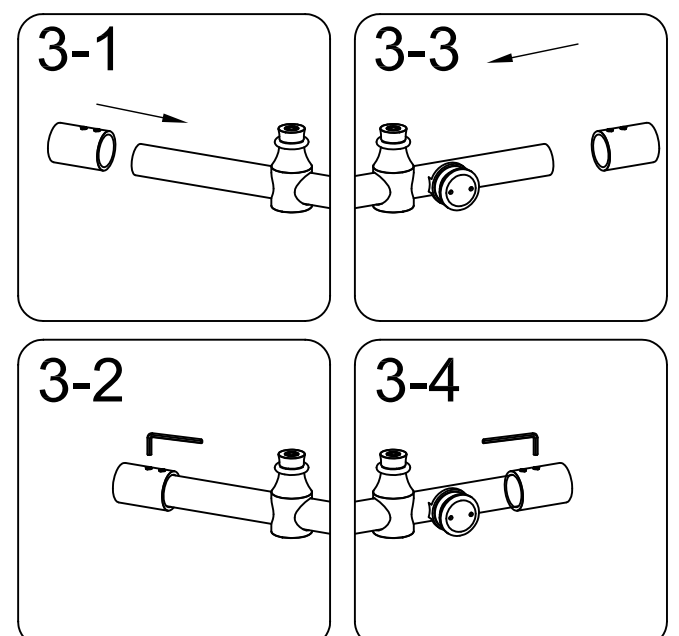
2. Slide Door Stopper (1) onto end of Top Rail (2). See Figure 2. The bumpers on Door Stopper (1) should be positioned on the top of top rail for final installation. Note: One door stopper comes pre-assembled on top rail between fixed glass bolt assemblies. See Figure 2.



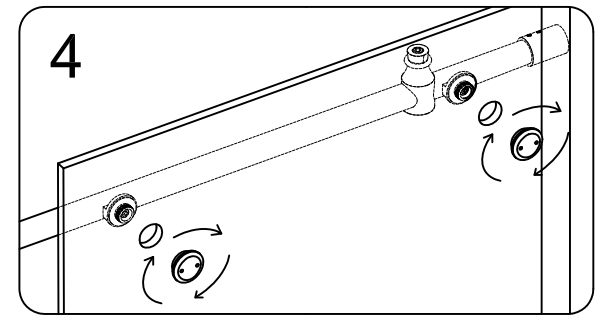
3. Slide the Rail End Assembly (5) (6) on to end of Top Rail (2) to be connected to the shower wall. See Figure 3-1.

Loosely tighten the Rail End Assembly (5) (6) into place on Top Rail (2) making sure the Rail End Assembly (5) (6) is fully engaged on Top Rail (2). See Figure 3-2.

Repeat for the other side. See Figure 3-3 and Figure 3-4.



4. Position the Top Rail (2) and Fixed Glass (3) as shown in Figure 4 and connect Fixed Glass (3) to Top Rail (2) following the assembly sequence shown in Figure 4. Note: One Door Stopper (1) should be positioned between mounting holes in Top Rail (2) before connecting Top Rail (2) to Fixed Glass (3).

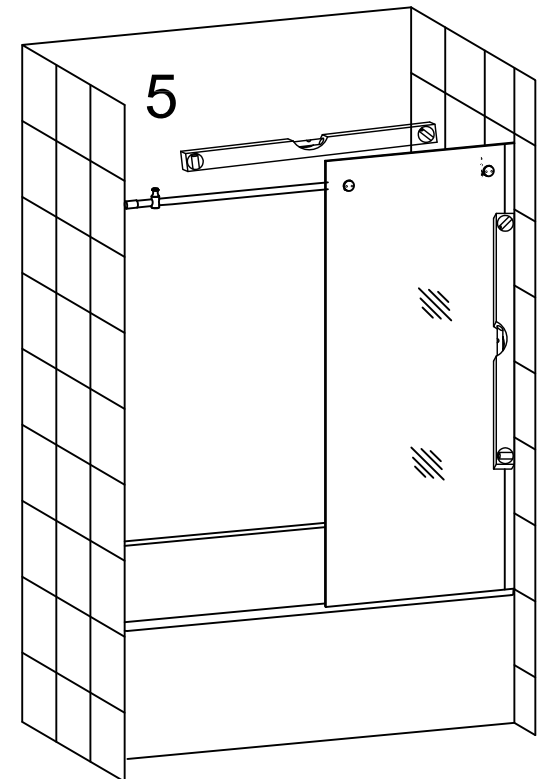


NOTE: TOP RAIL IS ATTACHED TO THE INSIDE OF FIXED GLASS.

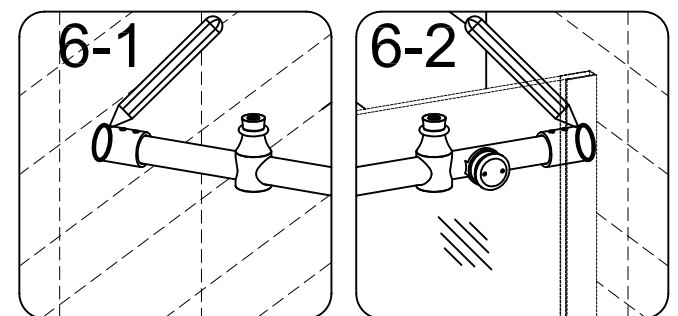
5. Make certain that the Top Rail (2) and Fixed Glass (3) are sitting correctly in the Vertical Channel (7).

Using a level, verify the Top Rail (2) is horizontal and the Fixed Glass (3) is plumb. See Figure 5.

NOTE: Placing painters tape on the wall in the approximate location where the rail ends mount will make the next step easier.

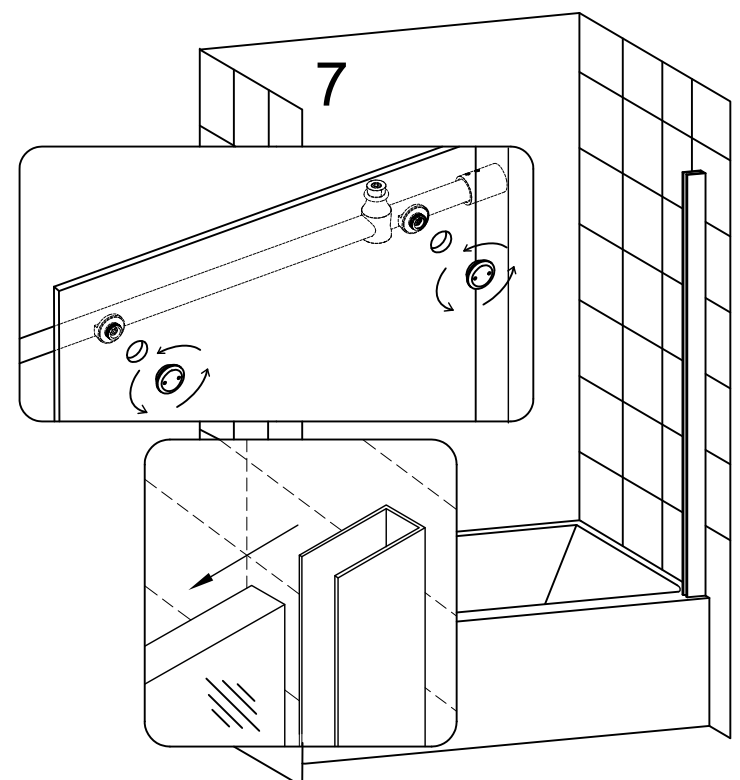


6. Using a pencil, mark the Rail Ends (5) location onto the wall. See Figure 6-1 and Figure 6-2.



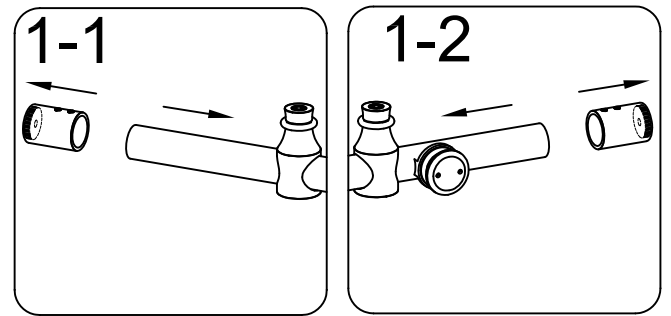
7. Remove the Top Rail (2) from the Fixed Glass (3), then remove the Fixed Glass (3) from the Vertical Channel (7) and set aside. See Figure 7.

NOTE: Always use two installers when moving glass, and always be careful when placing the glass on the floor. Use towels or wood to place the glass upon.

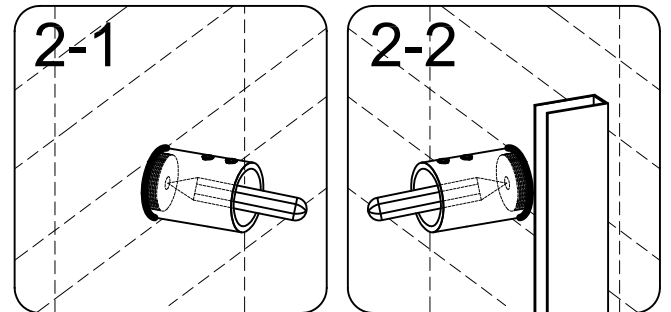


Installation of Wall Mount to Wall

1. Loosen set screws in both Rail End Assemblies (5) (6) and remove from Top Rail (2). See Figure 1-1 and Figure 1-2.

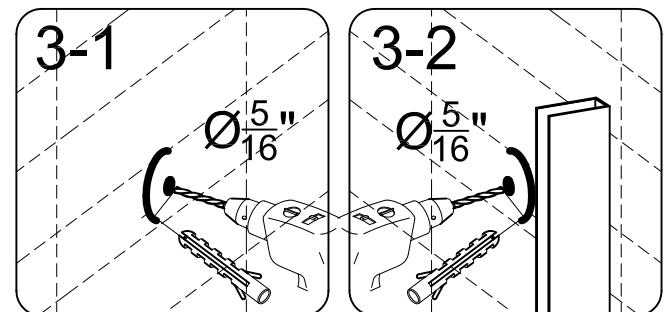


2. Position Rail End Assemblies (5) (6) onto marked location on shower wall and mark pilot hole drilling location. See Figure 2-1 and Figure 2-2.

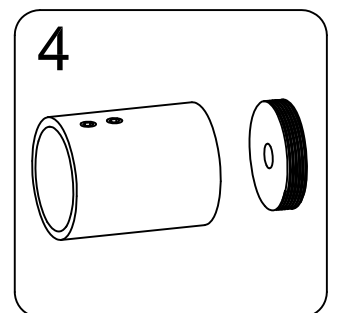


NOTE: If your surface is prone to cracking or chipping then it is recommended that you pilot drill first using a smaller drill bit, and then scale up to the final size.

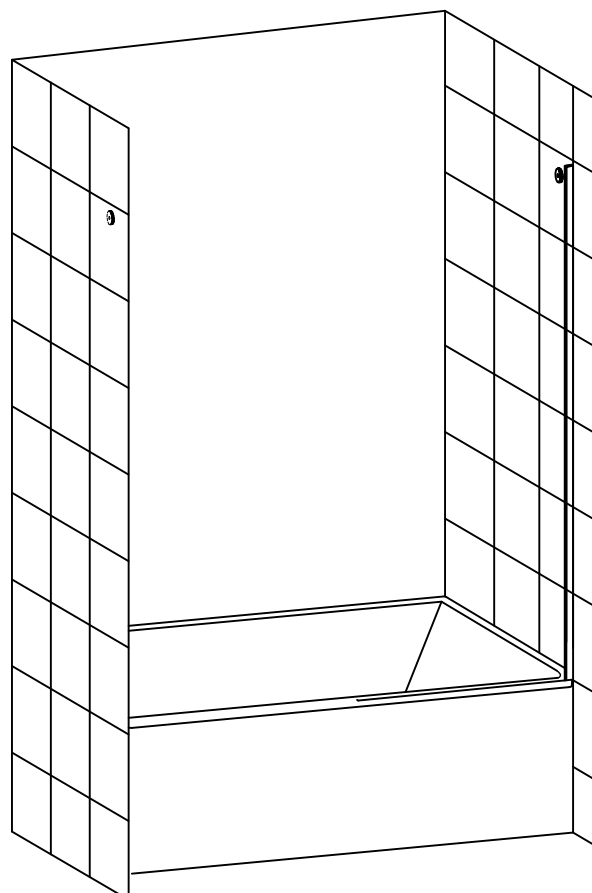
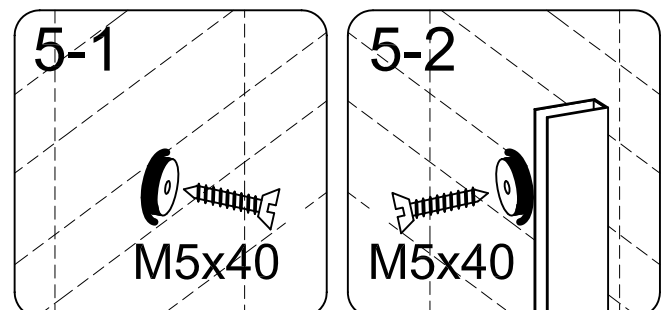
3. Using the appropriate drill bit for your wall surface drill the hole location with a 5/16" diameter drill bit. Install the plastic anchor provided into the drill hole. See Figure 3-1. Repeat this process for the other side. See Figure 3-2.



4. Remove Wall Mounts (6) from both Rail Ends (5). See Figure 4.



5. Attached Wall Mount (6) to wall using M5 x 40 screw from Screw Pack 1. Repeat the installation of Wall Mount (6) for the other side. See Figure 5-1 and Figure 5-2.



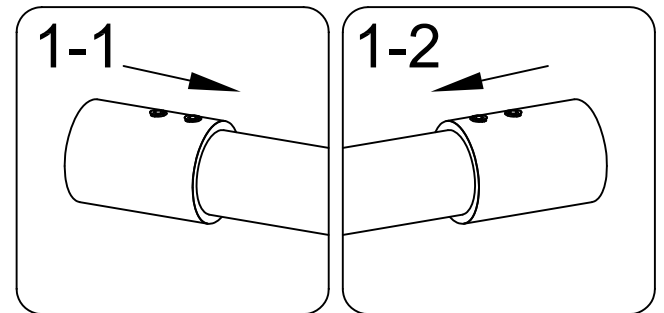
Top Rail Assembly to Shower



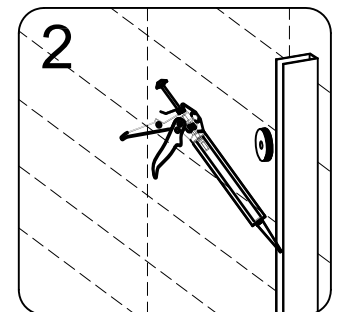
WARNING: Could cause SERIOUS INJURY. The weakest point on tempered glass is the corners. Keep the plastic corner protectors on until the glass is in place. Even the slightest bump could cause the glass to shatter.

ATTENTION: A minimum of two people are required for the next assembly steps.

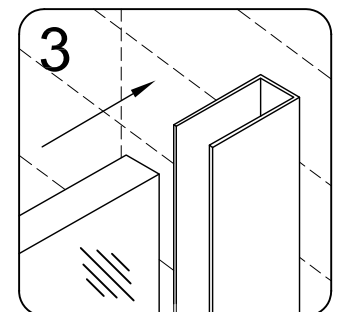
1. Slide Rail Ends (5) onto Top Rail (2) and loosely tighten into place. The Rail End (5) should be installed on Top Rail (2) so that threaded end of Rail Ends (5) is facing outward. See Figure 1-1 and Figure 1-2.



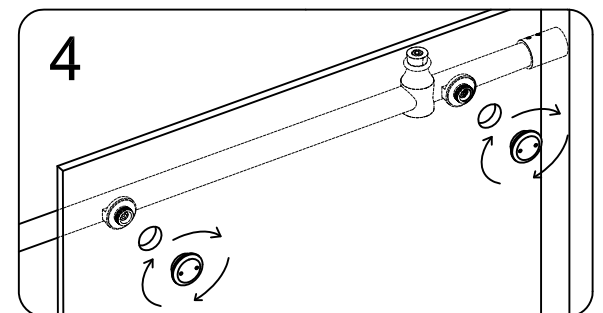
2. Apply a small bead of 100% clear silicon to the inside bottom of the Vertical Channel (7). See Figure 2. (Silicon application for this step is optional)



3. Insert the Fixed Glass (3) in Vertical Channel (7). See Figure 3.

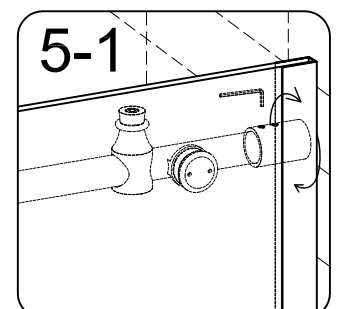


4. Position the Top Rail (2) and Fixed Glass (3) as shown in Figure 4 and connect Fixed Glass (3) to Top Rail (2) following the assembly sequence shown in Figure 4. Note: One Door Stopper (1) should be positioned between mounting holes in Top Rail (2) before connecting Top Rail (2) to Fixed Glass (3).

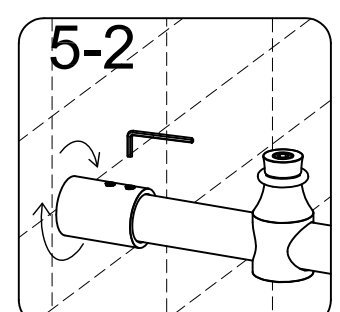


NOTE: TOP RAIL IS ATTACHED TO THE INSIDE OF FIXED GLASS.

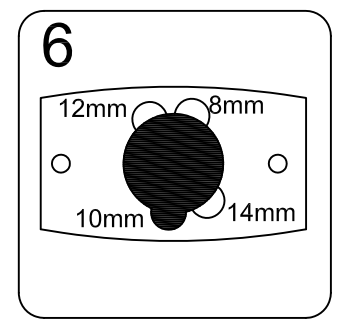
5. Loosen set screws in Rail End (5). Next screw Rail End (5) onto Wall Mount (6) and tighten. Secure the Rail End Assembly (5) (6) by tightening the set screws. See Figure 5-1.



Repeat on the other side. See Figure 5-2.

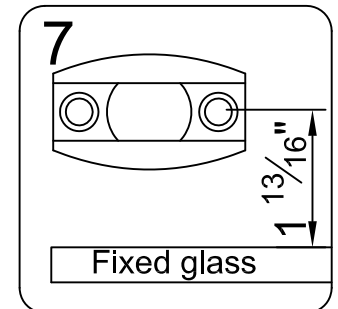


6. Insure plastic sliding door glide is in place in underside of Sliding Door Track Divider (8) and positioned to proper location for 10mm glass thickness. See Figure 6.



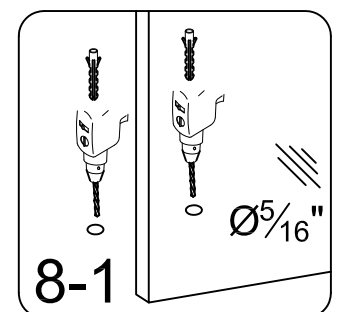
7. Position the Sliding Door Track Divider (8) into position as seen in Figure 7 and mark the two hole positions.

Note: In drawing 7 the hole locations for attaching Sliding Door Track Divider (8) should be 1-13/16" from edge of Fixed Glass (3). See details in Figure 7.

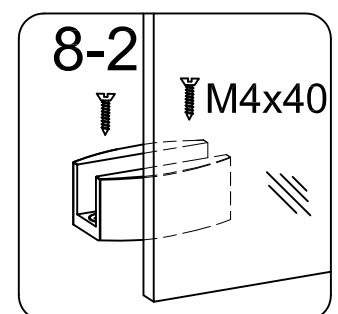


NOTE: If your surface is prone to cracking or chipping then it is recommended that you pilot drill first using a smaller drill bit, and then scale up to the final size. Do not drill into glass tile.

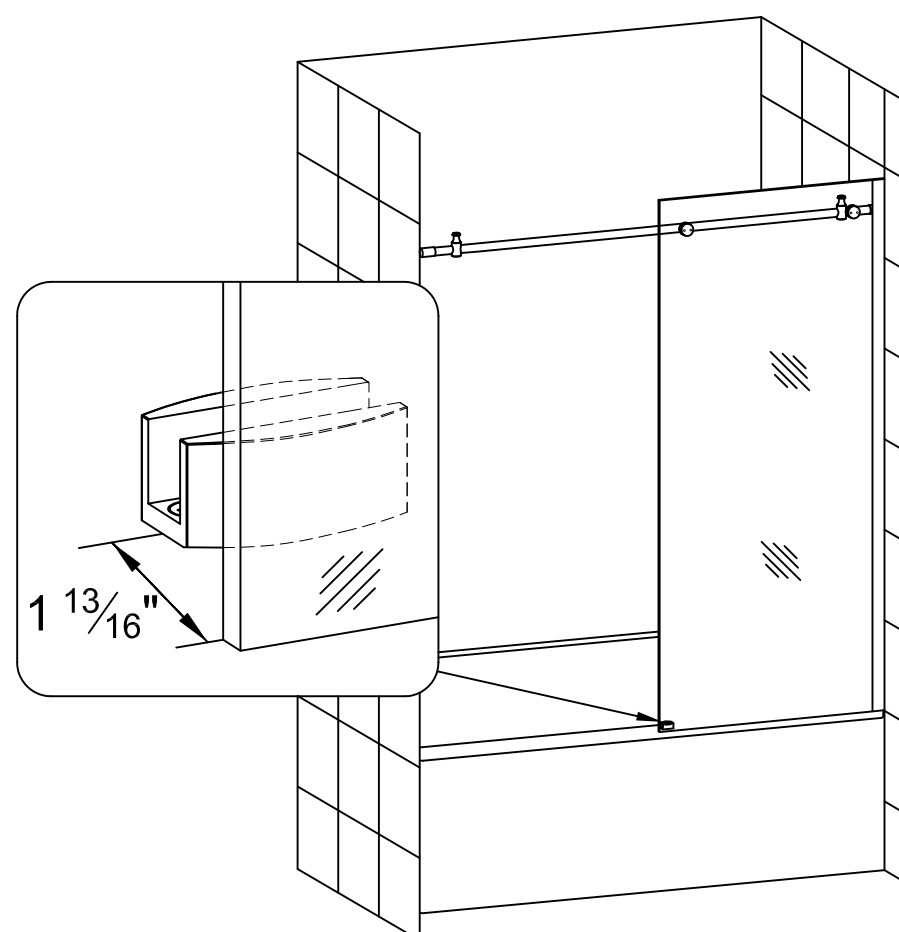
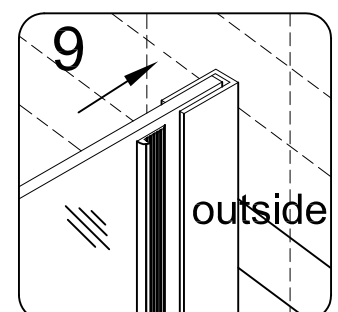
8. Using the appropriate drill bit for your curb surface drill hole locations with 5/16" diameter drill bit and install the plastic anchors provided into the drilled holes. See Figure 8-1.



Position the Sliding Door Track Divider (8) over drilled holes, and secure Sliding Door Track Divider (8) to curb using M4x40 screws in screw pack 2. See Figure 8-2.



9. Install U-channel Seal (17) to Fixed Glass (3). See Figure 9.



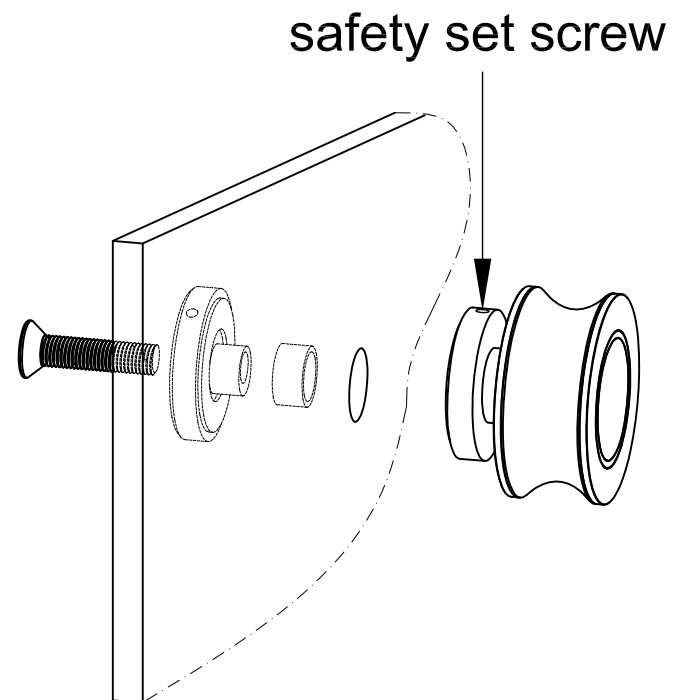
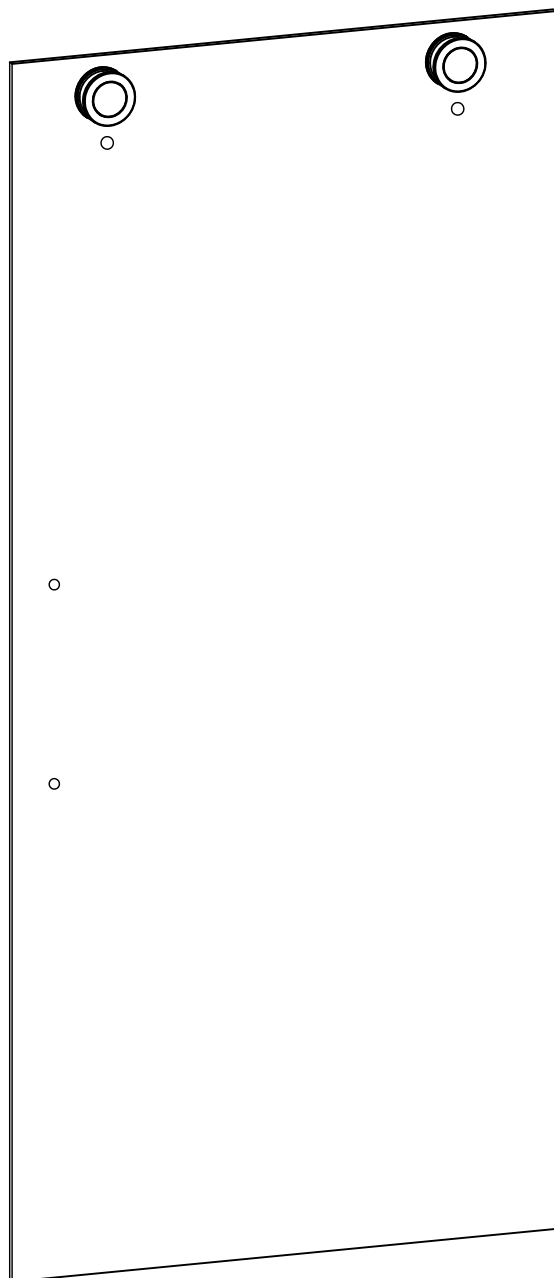
Assemble Upper Rollers onto the Door



WARNING: Could cause SERIOUS INJURY. DO NOT install the handle until the door is fully mounted. Lifting the door by the handle will cause the door to shatter.



WARNING: Could cause SERIOUS INJURY. All hardware must be installed properly as per instruction. If the hardware is loose, the door's heavy glass will sag placing its corners in jeopardy. Alternatively, hardware that is overly tightened could put the door into stress.



Loosen the safety set screw and disassemble the Upper Roller Assemblies (9).

Assemble the Upper Roller Assemblies (9) onto Sliding Door (4) with the rollers facing outside of the shower.

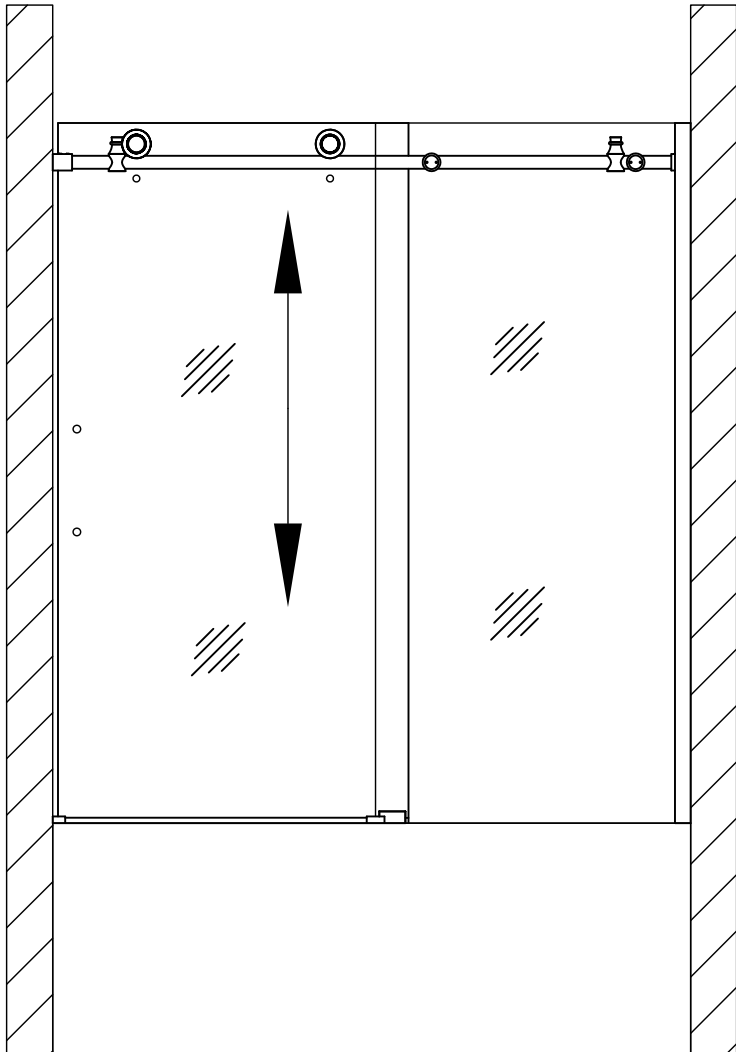
Note:

1. The door handle mounting holes should be positioned to left.
2. Position the safety set screws pointing upward for easier access.

Hanging the Door

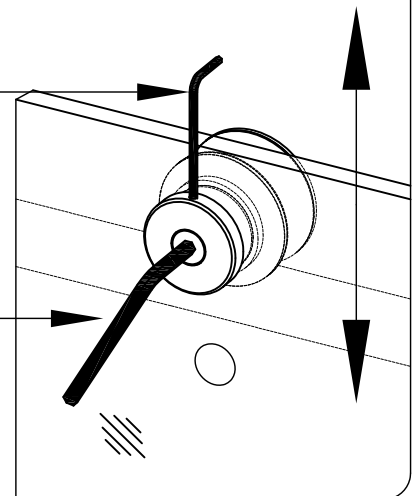


WARNING: Could cause SERIOUS INJURY. Glass is very HEAVY. It is recommended that this door be installed by professionals with a minimum of two installers.



Upper Roller Cam Adjustment

Rotate the outer edge of roller assembly using the small hex, while holding the large hex wrench in place.



Suspend the Sliding Door (4) on the Top Rail (2). Slide the bottom edge of Sliding Door (4) into the groove of the Sliding Door Track Divider (8).

Adjust the Upper Roller Assemblies (9) to ensure the bottom edge of Sliding Door (4) does not touch the bottom Sliding Door Track Divider (8). See Upper Roller Cam Adjustment drawing for details.

Note: The rollers for this unit have a built in cam adjustment to adjust the plumb of sliding door. Locate the small hole in outside edge of roller assembly and insert a small hex wrench into hole opening. Next using the hex wrench for roller assembly slightly loosen the roller wheel assembly. Now holding the hex wrench in place rotate the outer edge of roller assembly using the small hex wrench inserted into small hole opening in outer edge of roller assembly. This will move the roller cam to offset any minor adjustments for sliding door out of plumb. Both Upper Roller Assemblies (9) on this unit can be adjusted as describe above.

Assemble Bottom Rollers onto the Door

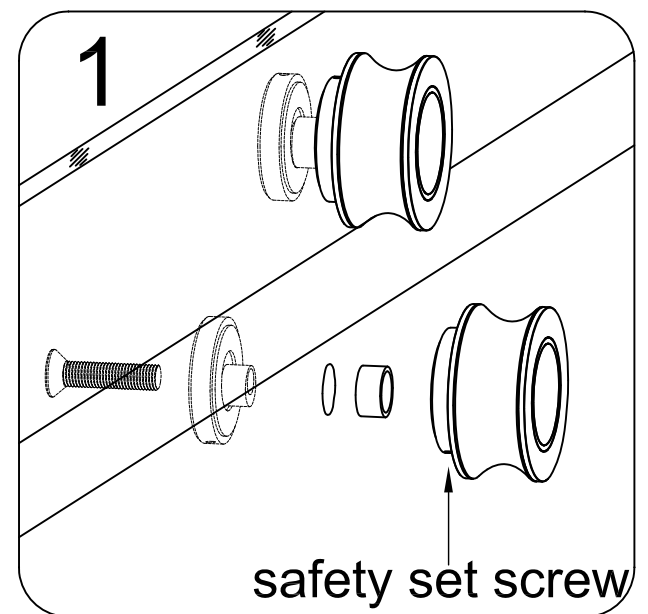


WARNING: Could cause SERIOUS INJURY. All hardware must be installed properly as per instruction. If the hardware is loose, the door's heavy glass will sag placing its corners in jeopardy. Alternatively, hardware that is overly tightened could put the door into stress.

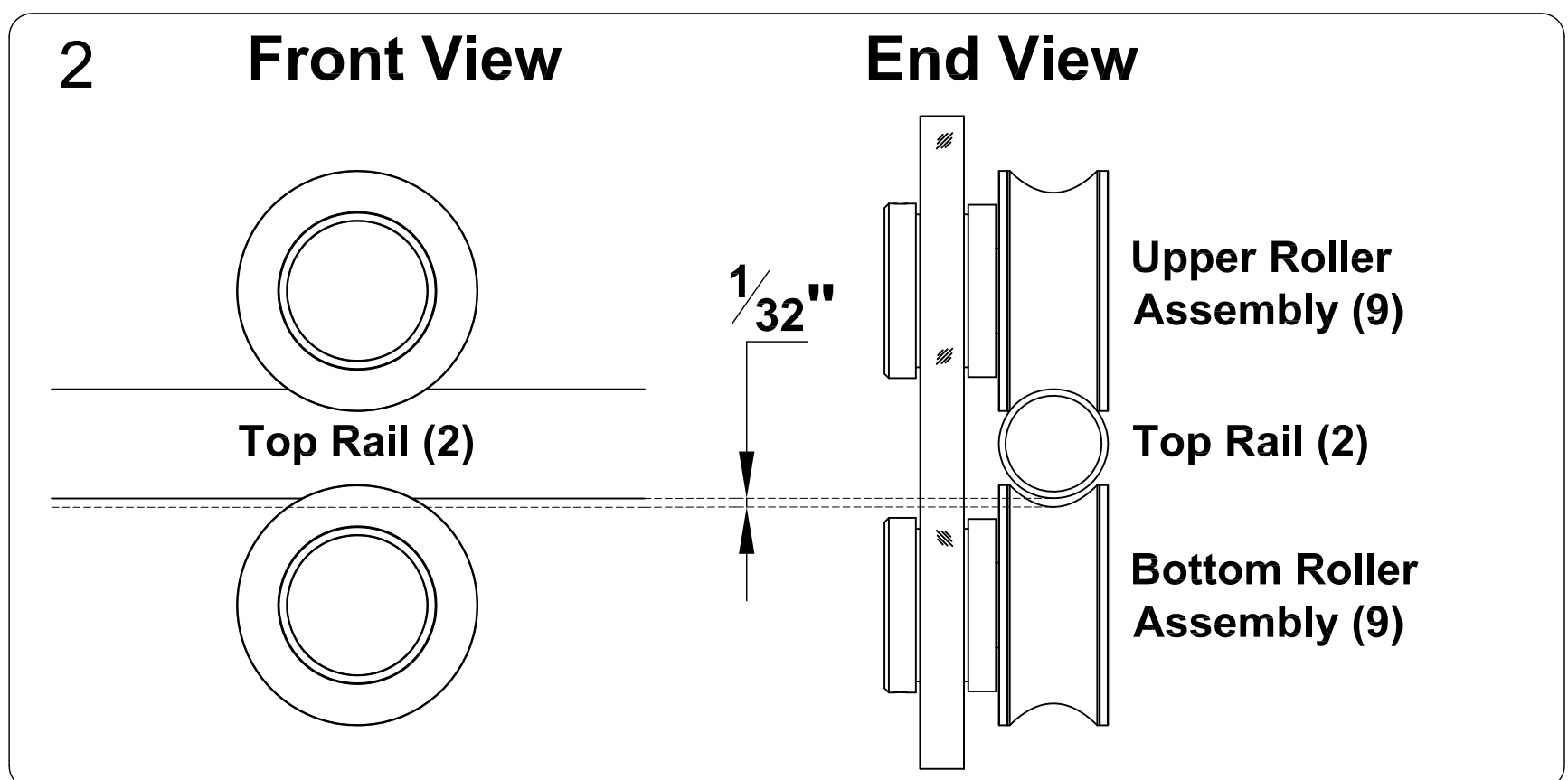
1. Loosen the safety set screw and disassemble the Bottom Roller assemblies (9).

Install the Bottom Roller Assemblies (9) on the Sliding Door (4) to secure the Sliding Door (4) to Top Rail (2). See Figure 1.

Note: Position the safety set screws pointing downward for easier access.



2. Adjust the Bottom Roller Assemblies (9) to a gap of $1/32$ ". This gap is a starting gap, check that the sliding door rolls smoothly along the Top Rail (2). Make adjustments if needed. See Figure 2.

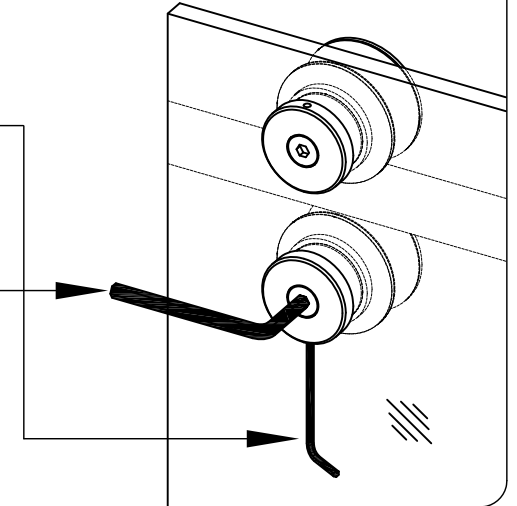


Note: The rollers for this unit have a built in cam adjustment to adjust the position of the rollers of sliding door. Locate the small hole in outside edge of roller assembly and insert a small hex wrench into hole opening. Next using the hex wrench for roller assembly slightly loosen the roller wheel assembly. Now holding the hex wrench in place rotate the outer edge of roller assembly using the small hex wrench inserted into small hole opening in outer edge of roller assembly. This will move the roller cam to position the rollers to set

the desired gap of 1/32" between bottom of Top Bar (2) and contact surface of Bottom Roller Assemblies (9).

Bottom Roller Cam Adjustment

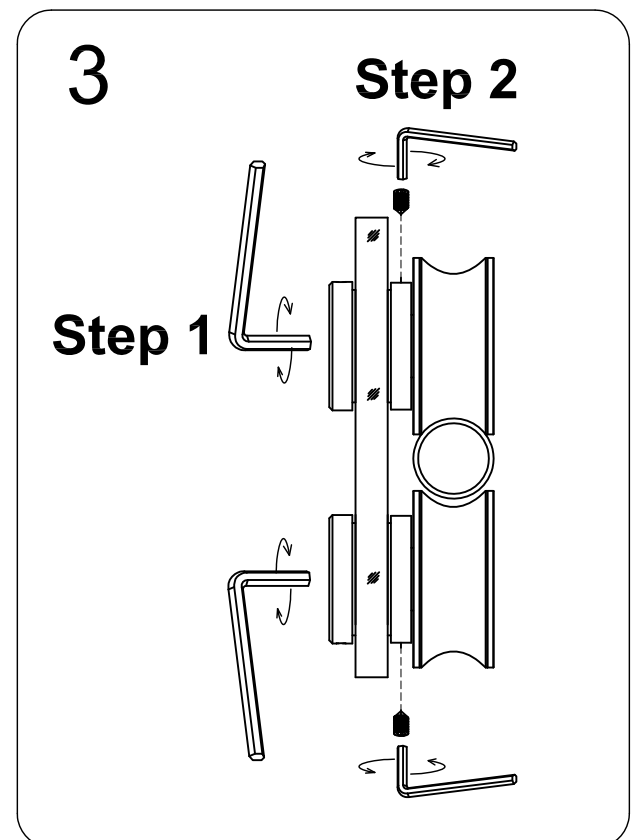
Rotate the outer edge of roller assembly using the small hex, while holding the large hex wrench in place.



3. On the Upper Roller Assemblies position the safety set screw pointing upwards for easy access.

On the Bottom Roller Assemblies position the safety set screw pointing downward for easy access.

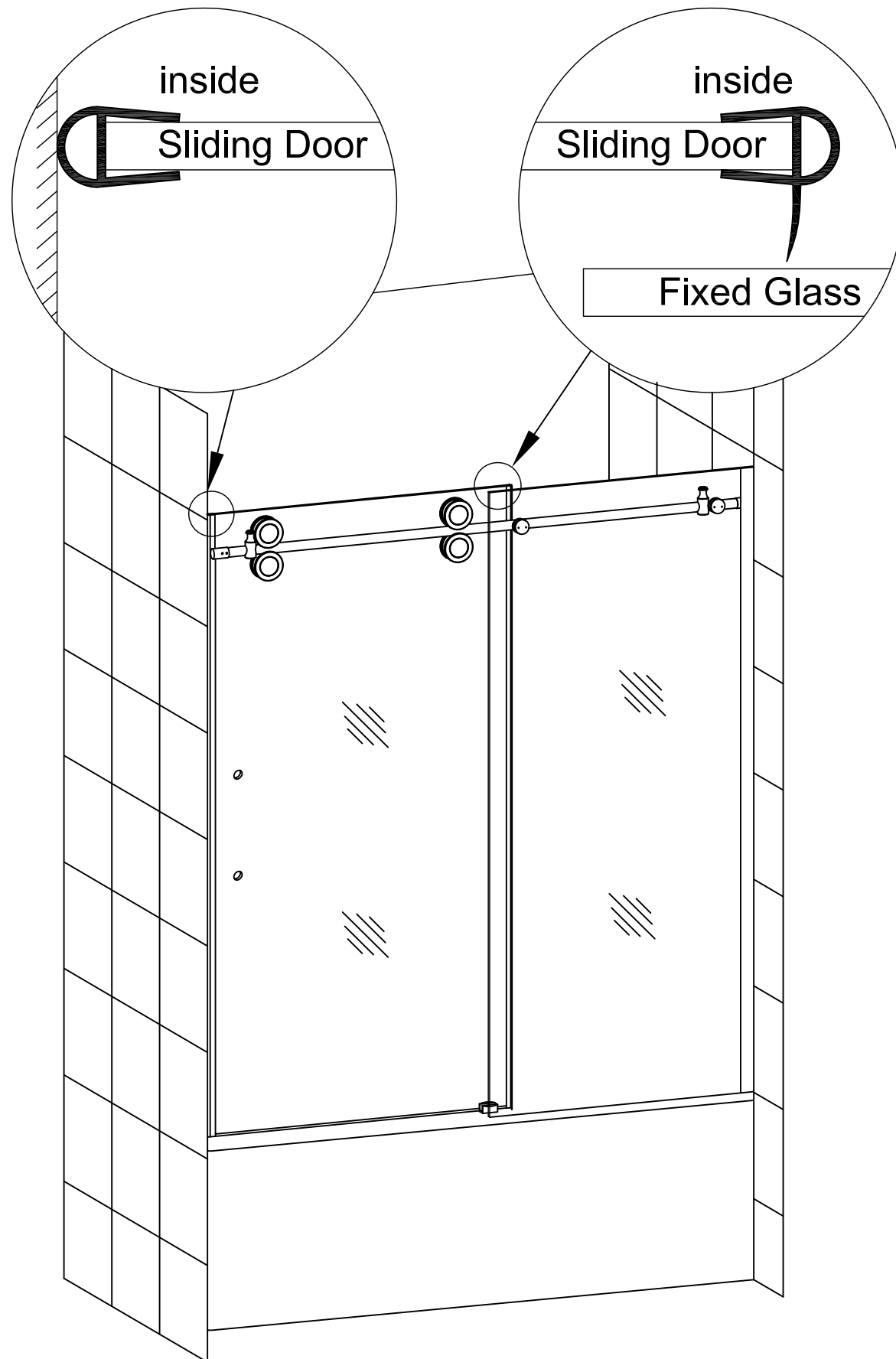
Securely tighten the large roller assembly bolt on each of the roller assemblies, then securely tighten the safety set screw on each of the roller assemblies. See Figure 3.



Installing the Door Seals



WARNING: Could cause SERIOUS INJURY. ALL SEALS MUST BE INSTALLED properly before usage. Warranty will be voided if not fully installed.



Install the Door Seal "D" (13) and Door Seal "P" (15) to Sliding Door (4) according to the drawing.

NOTE: Cut the "P" seal as necessary to avoid interference with moving parts.

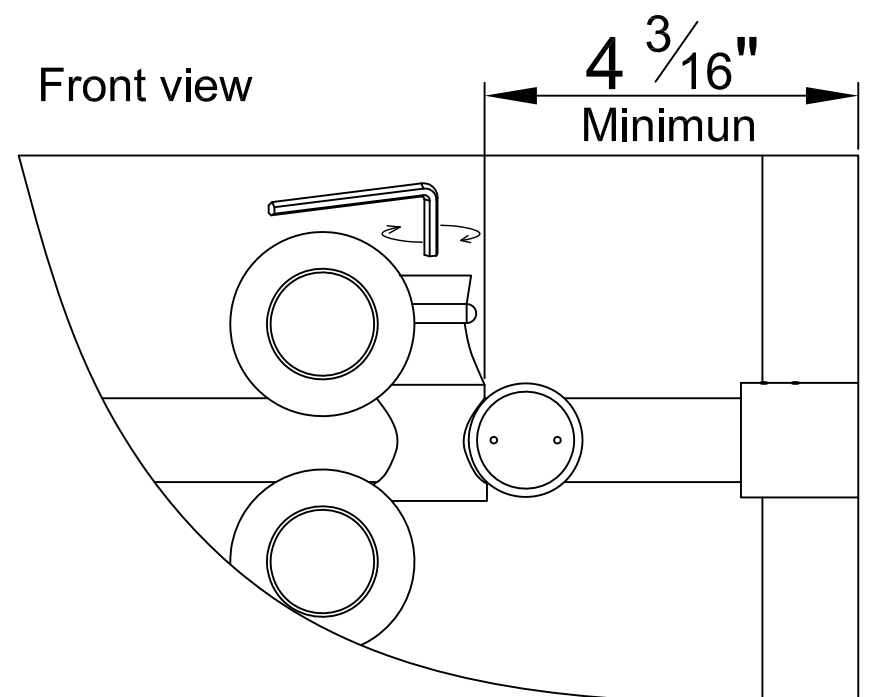
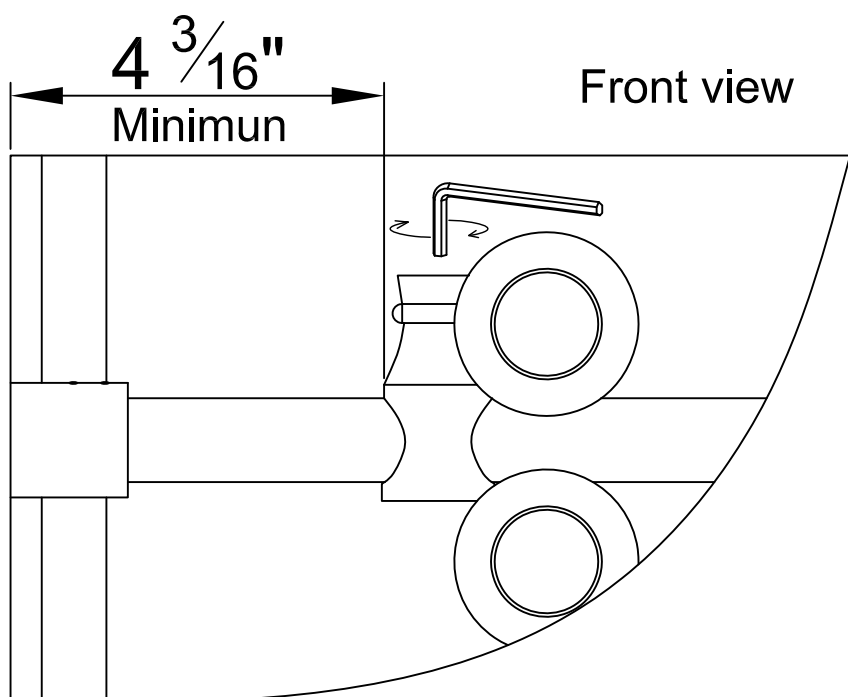
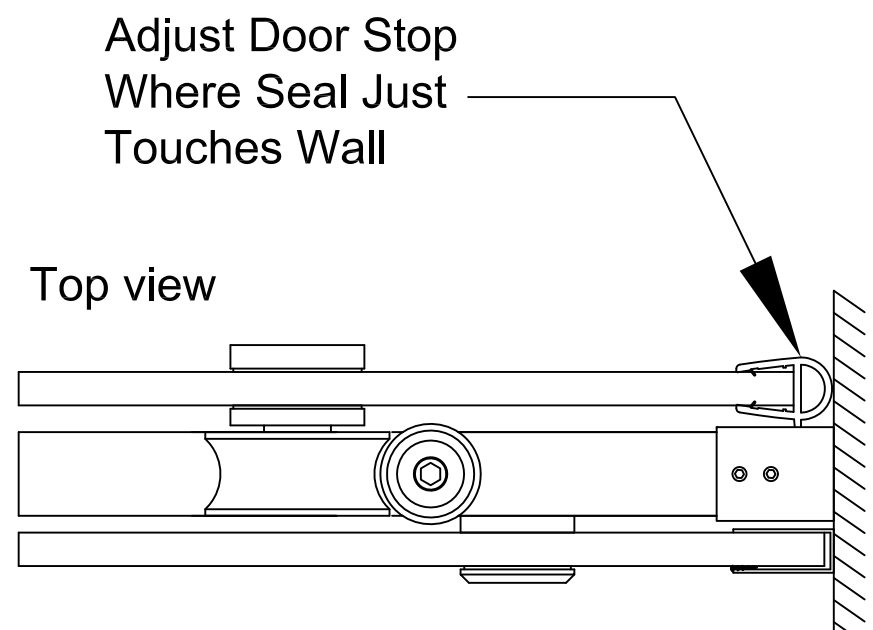
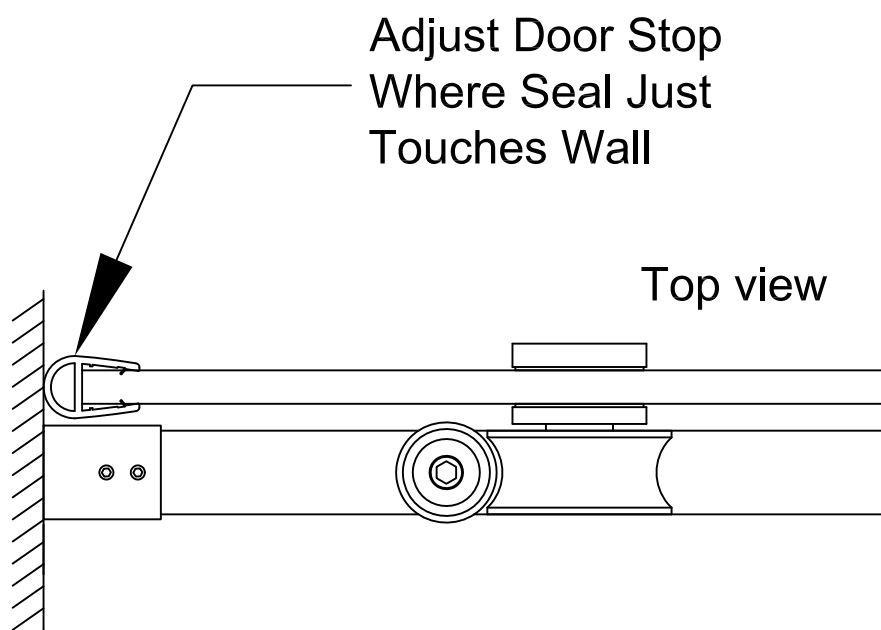
Door Stop Adjustment



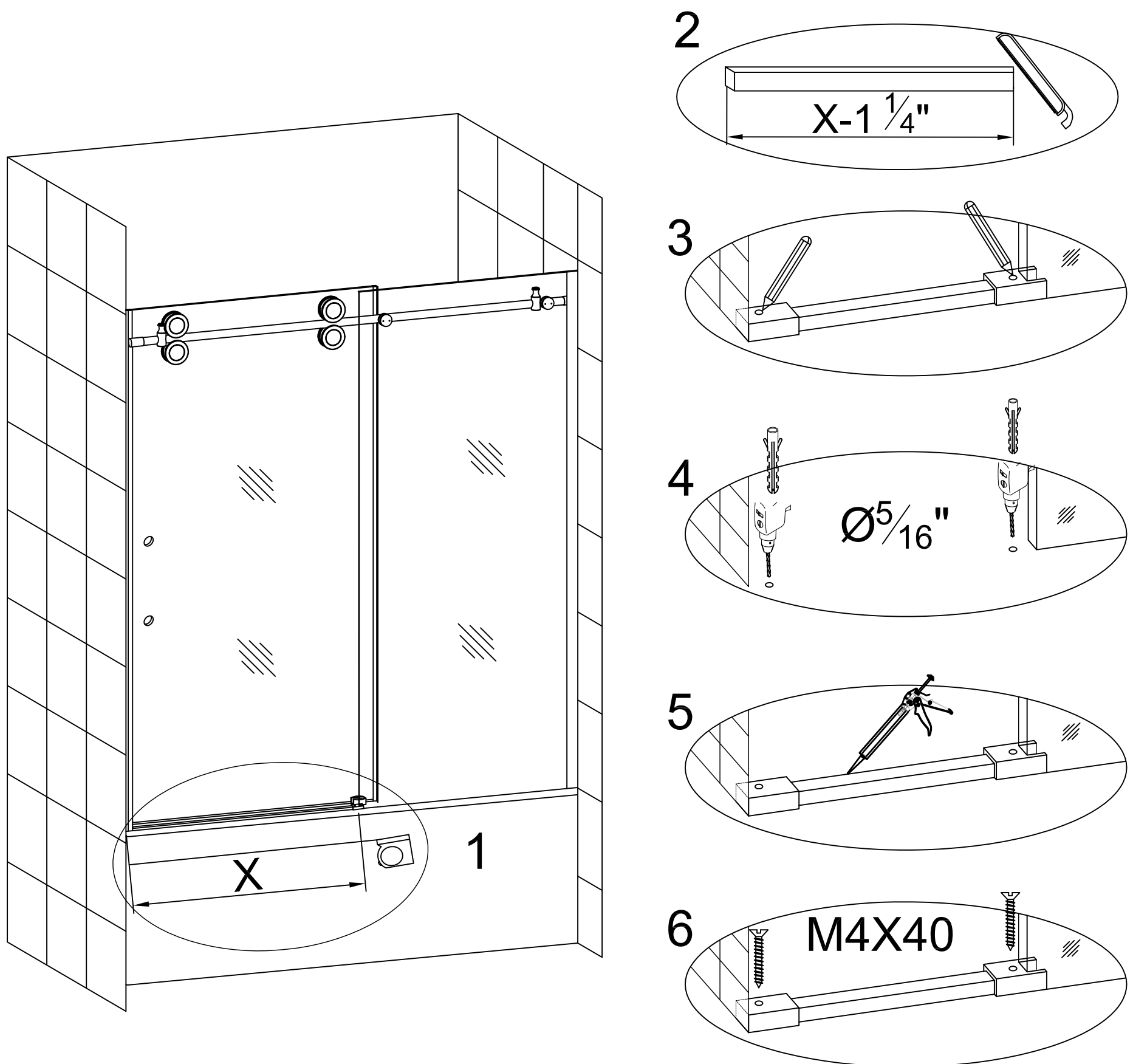
WARNING: Could cause SERIOUS INJURY. On Sliding Door models, the door stop bumpers must be installed and adjusted to the prescribed distance from the wall.

The Door Stoppers (1) must be adjusted properly to avoid bumping the door against the wall in both the open and closed positions. Do not aggressively slide the door either open or closed. Follow the procedures below in order to adjust the door stops properly.

- Use a 5.0mm Allen Wrench to loosen the screw on the top of the Door Stopper (1).
- Slide the door with the Edge Seals (13) and (15) installed to where the seal just touches the wall.
- Slide the Door Stopper (1) to where the o-ring is firmly touching the Upper Roller Assembly (9).
- Tighten the door stopper screw tightly so that the weight of the door will not cause it to move or shift over time from regular usage.



Install the Door Threshold and Door Seal



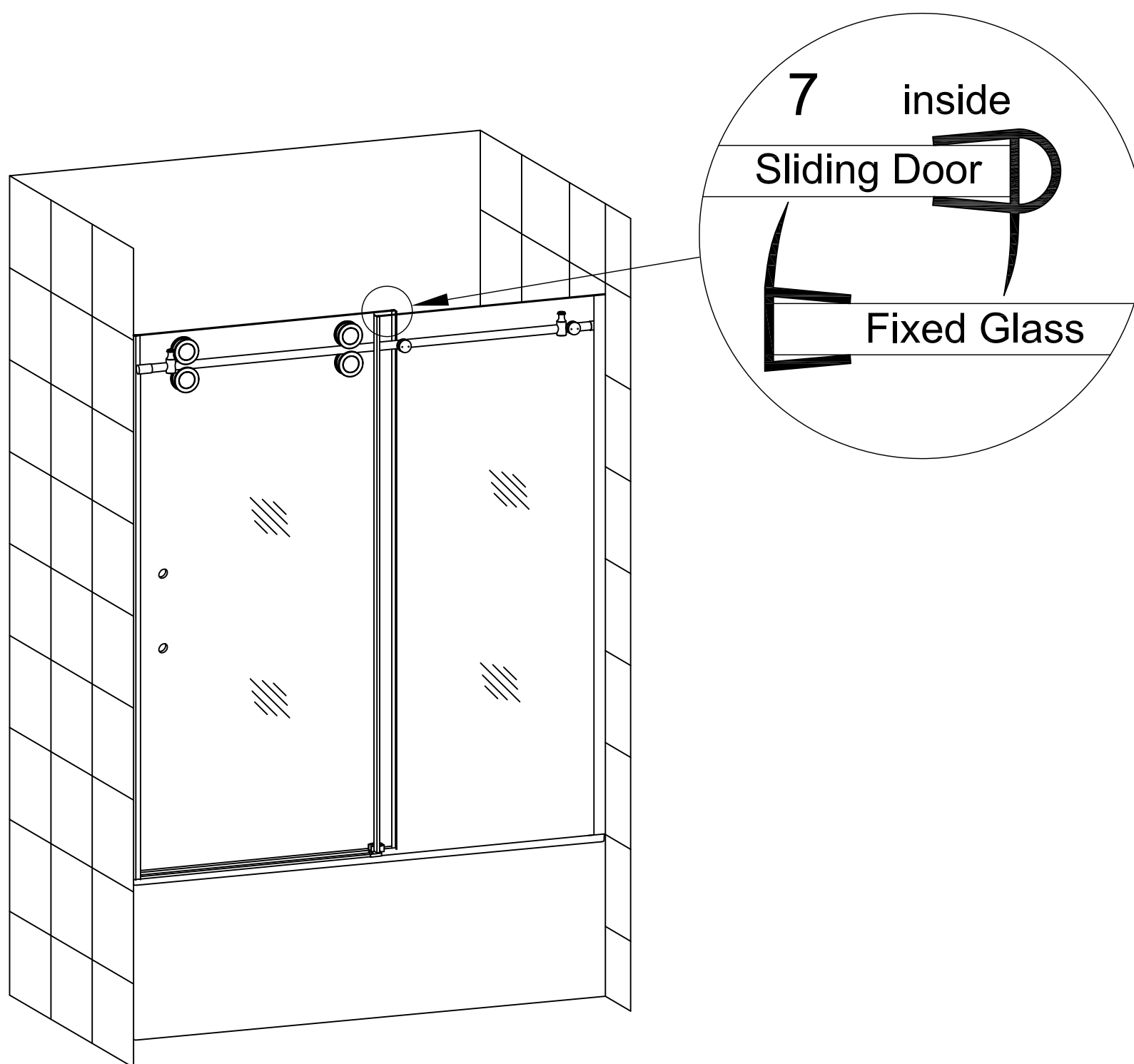
The Door Threshold is used to prevent water from seeping out while showering. Install the threshold according to these instructions.

1. Measure the distance between the Fixed Glass (3) and the shower wall. See Figure 1.
 2. Using a hacksaw, cut the Door Threshold Bar (11) to dimension Y which is the distance between the Fixed Glass (3) and the wall minus 1-1/4". Remove any sharp edges or burrs after cutting Door Threshold Bar (11). See Figure 2.
- $Y = X - 1 \frac{1}{4}''$
3. Position the Door Threshold Bar (11) to bath tub by aligning in door opening with Fixed Glass (3). Mark the Door Threshold End Cap (12) mounting hole locations. See Figure 3.

NOTE: If your surface is prone to cracking or chipping then it is recommended that you pilot drill first using a smaller drill bit, and then scale up to the final size.

4. Using the appropriate drill bit for your bath tub surface, drill the hole locations with a $\frac{5}{16}$ " diameter drill bit. Install the plastic anchors provided into the drilled holes. Repeat for the other side. See Figure 4.
5. Add a small amount of silicone sealant to bottom of threshold bar assembly place into position. See Figure 5.
6. Using the hardware from screw pack 3 install the threshold bar assembly. See Figure 6.
7. Install Door Seal "F" (14) to Fixed Glass (3) according to the drawing.

NOTE: Cut the "F" seal as necessary to avoid interference with moving parts.

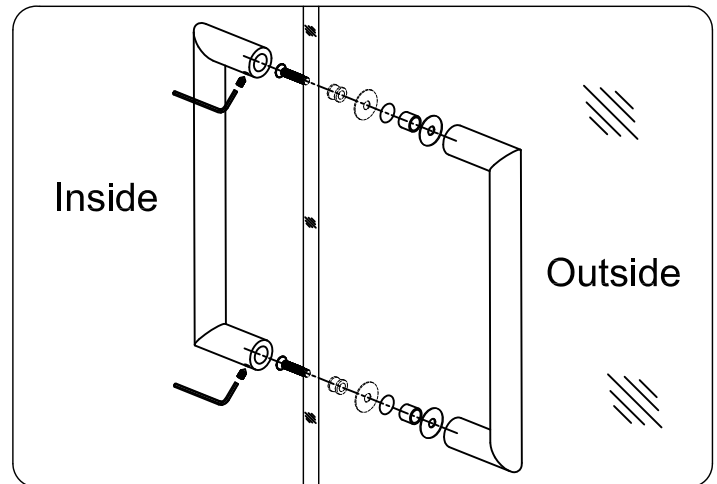


Install the Door Handle



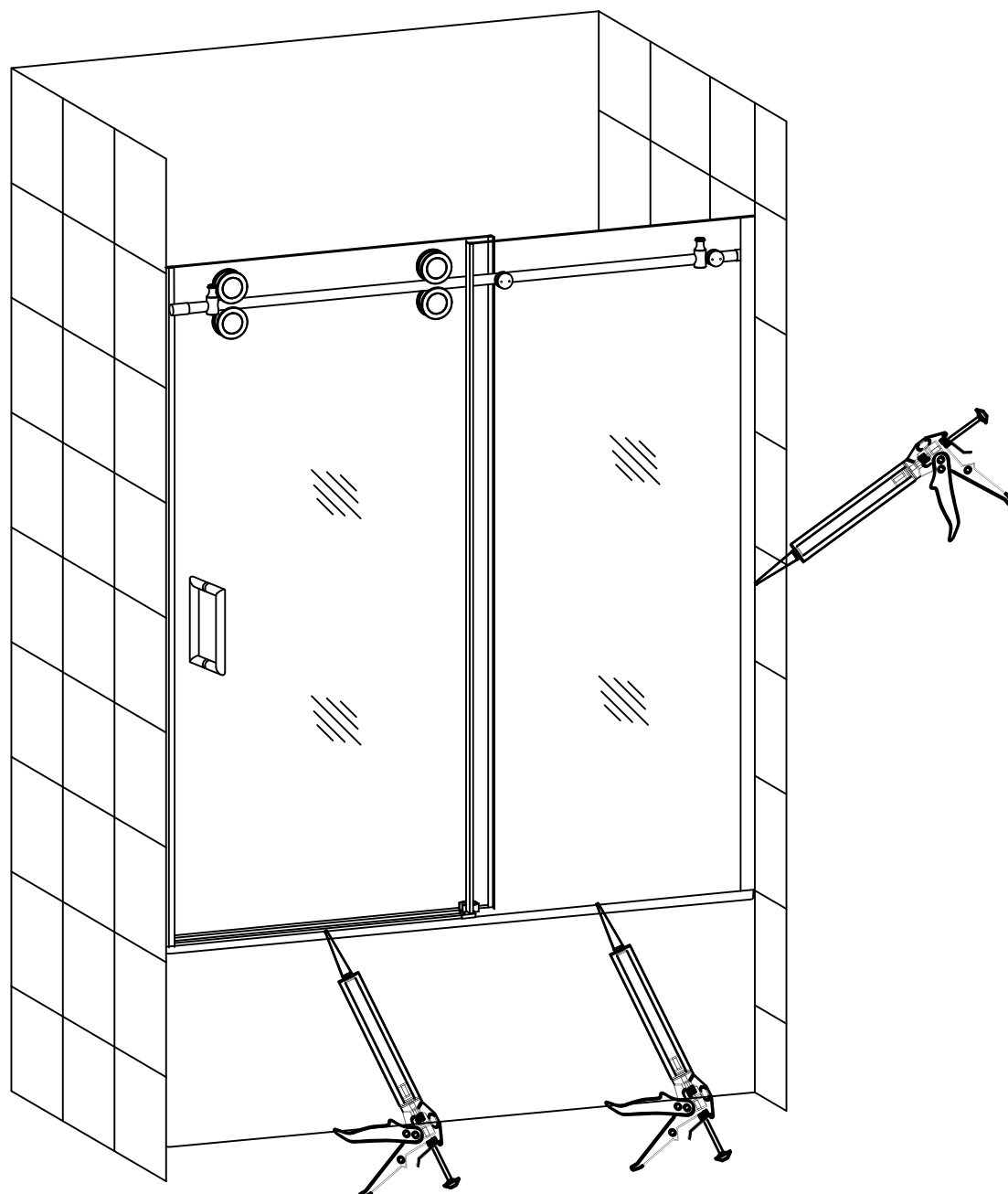
WARNING: Could cause SERIOUS INJURY. DO NOT install the handle until the door is fully mounted. Lifting the door by the handle will cause the door to shatter.

Install the Door Handle (16) using hardware provided.



Final Sealing

Using bath & kitchen silicone sealant, seal the Fixed Glass (3) along bottom edge on bath tub, and side edge along shower wall. Next, seal around Sliding Door Track Divider (8).



Care and Maintenance

As with any luxury item, maintenance and care are critical to the long-lasting quality and enjoyment of your shower door. The proper care and maintenance outlined in this section are necessary to ensure the longevity of the unit. Damage caused by not following the care and maintenance guidelines in this section is not covered under the manufacturer's warranty.

Caring for your Hardware:

- The best way to maintain the beautiful finish on your shower's hardware is use a dry towel to thoroughly dry the hardware after every use. Hardware kept clean regularly will not collect mineral deposits and require the use of a cleansing solution.
- If a cleansing solution is required, use only a mild soap and warm water in small amounts, and gently clean with a non-abrasive cloth. After cleaning, rinse thoroughly with warm water and dry.
 - Important: many over-the-counter cleaners will harm the metal or powder-coat finish causing permanent damage even though their directions may indicate safe use. Additionally, never use a scouring agent to clean the metal or glass.
- Regularly inspect your hardware for loosening due to usage and home shifting. Inspect and tighten hinges, glass clamps, support bars, wall channels, rollers, door guides and any other associated hardware pieces.



WARNING: Could cause SERIOUS INJURY. All hardware must be installed properly as per instruction. If the hardware is loose, the door's heavy glass will sag placing its corners in jeopardy. Alternatively, hardware that is overly tightened could put the door into stress.

Caring for your Glass:

- Keep your shower glass looking like new by rinsing down its panels and squeegee dry after every use. Towel dry any drops remaining the squeegee left behind.
- In areas where water has a high mineral content, dried water droplets could leave a deposit mark, including models with our StarCast coating. Mild acids, like white vinegar with warm water, will often remove the marks quickly with a soft sponge.
- Aston Frameless Showers are comprised of tempered safety glass. Be sure all edge seals are securely in place at all times, and NEVER allow the door to slam shut.
- Examine the glass periodically for cracks or chips; and pay special attention to its corners, edges and around the holes that accommodate screws or other hardware.

Models damaged by improper cleaning, installation and care are not covered under Aston's limited lifetime warranty.

ASTON GLOBAL INC. – Limited Warranty

This warranty applies to products purchased from Aston Global Inc. after May 1, 2017. Aston Global Inc., a Texas Corporation ("Aston"), provides the following warranty coverage for shower doors and enclosures, bathtubs, shower panels and related components (The Products). Aston warrants that The Products shall be free from defects in material and workmanship from the date of the original sale of the product by Aston (the "limited warranty period"), subject to the following conditions. This warranty extends to the original owner/end-user only, in its original place of installation and is not transferable to subsequent owners. Aston reserves the right to modify this warranty at any time; however, modifications will not change the warranty provisions in effect at the time of sale of the products in question. This warranty applies only to products sold by Aston and purchased from an Aston-authorized dealer. Proof of purchase / original sales receipt from the original consumer purchase must be provided with all warranty claims.

This limited warranty does not cover glass provided by others or outside fabrication provided by others, nor does it cover defects in material or workmanship caused by improper installation of the product; use of improper cleaning products or materials; or caused by accidents, owner or installer negligence, alterations, abuse or misuse. This limited warranty is limited to the repair and replacement of the defective product originally sold by Aston, or, at Aston's sole discretion, the payment to the original user of the original purchase price for the product paid to Aston. Aston is not responsible for the removal or reinstallation of a product requiring warranty service or the cost thereof. Shipping cost to replace product or parts covered by this warranty are the responsibility of the original user.

Aston disclaims liability for special, incidental or consequential damages. **ASTON'S LIABILITY SHALL NOT EXCEED THE PURCHASE PRICE OF THE UNIT IN QUESTION.**

In order to make a warranty claim, the original user shall notify the Aston Customer Service Department within thirty (30) days of receiving the product. The original user can provide notice by calling Aston's Technical Service Department at (877)-424-9699, or by sending written notice to: 902 Nicholson Rd., Suite 100, Garland, TX 75042, Attention: Customer Service Department. The notification shall specify the date the product was originally sold by Aston, the registration code, and the nature of the defect in material and/or workmanship. Based on such notification, Aston may request additional information from the original user to verify the claim.

This warranty is extended to residential applications only. The warranty for commercial installations is one year.

Aston products must be installed in accordance with Aston's installation instructions by a fully insured, licensed and skilled professional. Installation of The Products by anyone other than a fully insured licensed professional shall void the warranty. Aston recommends that licensed and skilled professionals have experience installing bathroom products, specifically shower and tub doors. Installation by an unlicensed or inexperienced installer may result in damage and/or breakage to the Products and may cause personal injury.

PARTS ONLY WARRANTY

This warranty is extensive in that it covers replacement of all defects. LABOR CHARGES AND/OR DAMAGE INCURRED DURING INSTALLATION, REPAIR, OR REPLACEMENT, AS WELL AS ANY OTHER KIND OF ANCILLARY COST, LOSS OR DAMAGE ARE EXCLUDED.

COMMERCIAL USE AND OTHER EXCLUSIONS

This warranty excludes all industrial, commercial and business usage. The warranty period for products installed for commercial applications or used in commercial ventures, including but not limited to motels, hotels, casinos, student housing, condos, apartments, and fitness centers, is a one (1) year limited warranty from the date of purchase for shower doors, bathtub doors, shower enclosures, shower bases, and backwalls, with all other terms of this warranty applying except the duration of the warranty. Aston hereby disclaims all warranties for products sold as dealer or store displays.

WARRANTY TERMS

Aston will, at its election, repair or replace the product found by Aston in its sole judgment, to be defective within the warranty period under normal residential use and maintenance. The replacement of a product is limited to supplying a replacement product or part (same as existing or if not available, comparable product). Aston's warranty obligation shall be discharged upon tender of parts, replacement or repair of the product. Purchaser's refusal to accept the tender terminates all warranty obligations and VOIDS THE WARRANTY. Cost of freight for returning products to Aston for repairs or replacement under this limited warranty is the responsibility of the customer. Cost of freight associated with shipping of replacement product(s) or parts covered by this warranty is the responsibility of the original user. Any product replaced or repaired during the warranty period will be covered only for the remaining period of the original warranty. In no event will Aston be liable for costs of repair or replacement of any installation material, including but not limited to tile, marble, etc. ASTON IS NOT RESPONSIBLE FOR INSTALLATION, REMOVAL OR REINSTALLATION COSTS OF ANY PRODUCT REQUIRING WARRANTY SERVICES.

Any modification or alteration of any Aston products will void the warranty. Neither the authorized Aston dealer, nor any other person is permitted to make any affirmation, representation, or warranty other than those contained in this warranty. Any affirmation, representation, or warranty other than those contained in this warranty shall not be enforceable against Aston or any other person.

Aston product installations and repairs must be performed by either an Aston authorized agent or a licensed, insured and experienced professional contractor - installation or repairs performed by any other party shall void the warranty. This warranty shall not apply to breakage or damages caused by normal wear and tear, fault, carelessness, abuse, misuse, misapplication, improper maintenance, alteration or modification of the unit, as well as chemical or natural corrosion, accident, fire, flood, act of God or any other casualty. Improper care and cleaning will void the warranty. Use of cleaners containing abrasive cleansers, ammonia, bleach, acids, waxes, alcohol, solvents or other products not recommended for hardware finishes, glass or acrylic as they may damage the metal or glass finish of your shower door or shower enclosure and will void the warranty. For additional product maintenance instructions please refer to the product installation manual. Aston is not responsible for any issues arising in connection with errors or omissions in information provided on Aston or dealers' websites. This warranty does not extend to any non-Aston plumbing or components installed by installers, end users or by any party other than Aston.

THE FOREGOING WARRANTIES ARE IN LIEU OF ALL OTHER WARRANTIES, EXPRESSED OR IMPLIED, INCLUDING BUT NOT LIMITED TO THE IMPLIED WARRANTIES OF MERCHANTABILITY AND FITNESS FOR A PARTICULAR PURPOSE. ASTON DISCLAIMS ALL LIABILITY FOR SPECIAL, INCIDENTAL OR CONSEQUENTIAL DAMAGES. ASTON IS NOT LIABLE FOR PERSONAL INJURIES OR DEATH TO ANY PERSON OR FOR ANY DIRECT, SPECIAL, INCIDENTAL OR CONSEQUENTIAL DAMAGE, LOSS OF USE, LOSS OF TIME, LOSS OF PROFITS, INCONVENIENCE, INCIDENTAL EXPENSES, LABOR OR MATERIAL CHARGES, OR ANY OTHER COSTS RESULTING FROM THE USE OF ITS PRODUCTS OR PERTAINING TO THE APPLICATION OF THE PRESENT WARRANTY, OR RESULTING FROM THE REMOVAL OR REPLACEMENT OF ANY PRODUCT OR ELEMENT OR PART COVERED BY THIS WARRANTY.

PRODUCT WARRANTY PERIODS

The laws and regulations that govern the installation and use of shower or tub doors, shower enclosures and shower bases vary widely by region, state or municipality. Except as otherwise provided above, Aston makes no warranties, expressed or implied, including warranties of merchantability and fitness for a particular purpose or compliance with any code. Aston is not responsible for verifying building code restrictions on installation or use and any such compliance is excluded from this warranty. Aston reserves the right to modify this warranty at any time. Such warranty modifications will not alter the warranty applicable at the time of sale of the products in question.

The warranty terms for specific products are listed on the pages that follow.

RESIDENTIAL INSTALLATIONS

SHOWER DOORS and ENCLOSURES

GLASS: Limited Lifetime

Aston warrants the glass of shower doors, tub doors and shower enclosures to be free from defects in workmanship and materials under normal residential use for the life of the product.

* Aston does not warrant glass for scratches, chips, water spots, breaking or any other damage during installation or after.

StarCast Protective Coating by EnduroShield (On Certain Models Only): Ten (10) Years, provided by PCT Global LLC.

For shower doors treated with StarCast protective coating, warranty coverage is provided by its maker, PCT Global LLC. Please register directly with EnduroShield online at: <https://www.enduroshield.com/en/warranty-registration/>

HARDWARE: One (1) Year

Aston warrants shower door, tub door and shower enclosure hardware (i.e. handles, rollers, hinges, profiles, clips, guides, brackets, towel and support bars) in all finishes to be free from defects in workmanship and materials under normal residential use for one (1) year.

SHOWER BASES: One (1) year

Aston warrants shower bases to be free from defects in workmanship and materials under normal residential use for one (1) year.

SEALS, SWEEPS, VINYL COMPONENTS: One (1) Year

Warranty for plastic seal strips, sweeps or any other vinyl components shall be limited to one (1) year.

COMMERCIAL INSTALLATIONS

SHOWER DOORS and ENCLOSURES

GLASS: One (1) Year

Aston warrants the glass of shower doors, tub doors and shower enclosures to be free from defects in workmanship and materials under normal commercial use for one (1) year.

* Aston does not warrant glass for scratches, chips, water spots, breaking or any other damage during installation or after.

HARDWARE: One (1) Year

Aston warrants shower door, tub door and shower enclosure hardware (i.e. handles, rollers, hinges, profiles, clips, guides, brackets, towel and support bars) to be free from defects in workmanship and materials under normal commercial use for one (1) year.

SHOWER BASES: One (1) Year

Aston warrants shower bases to be free from defects in workmanship and materials under normal commercial use for one (1) year.

SEALS, SWEEPS, VINYL COMPONENTS: One (1) Year

Warranty for plastic seal strips, sweeps or any other vinyl components shall be limited to one (1) year.

STATE LAWS AND THIS WARRANTY

Laws and regulations governing the installation, design and installation the products in construction applications vary widely. Aston does not have any control over and disclaims all responsibility and liability for selection, configuration, installation and operation of the products. The obligation of Aston to provide coverage under this limited warranty is expressly subject to the condition that the original user activates the warranty within 30 days of purchase by registering on-line or calling 1 (877) 424-9699.

Some states do not allow limitations on how long an implied warranty lasts, so the above limitation may not apply to you. Some states do not allow the exclusion or limitation of incidental or consequential damages, so the above exclusion of incidental damages may not apply to you. This warranty gives you specific legal rights, and you may have other rights which vary from state to state.

SOLE REMEDY / LIMITATION OF DAMAGES: THE REMEDY PROVIDED ABOVE UNDER "SCOPE OF COVERAGE" IS CUSTOMER'S EXCLUSIVE REMEDY FOR ANY DEFECT OR MALFUNCTION OF THE PRODUCT. To the fullest extent allowed by law, ASTON disclaims and excludes liability for consequential and incidental damages including, but not limited to, loss of use, lost rentals, lost profits, loss of business reputation, out of pocket expenses, damage to property other than the warranted product, mental anguish and punitive damages. Some states limit or do not allow the exclusion or limitation of incidental or consequential damages, so some or all of these limitations may not apply to you.

STATE LAW RIGHTS: This warranty gives you specific legal rights, and you may also have other rights which vary from state to state. THE DURATION OF ANY IMPLIED WARRANTIES UNDER STATE LAW, INCLUDING THE IMPLIED WARRANTIES OF MERCHANTABILITY AND FITNESS FOR A PARTICULAR PURPOSE, SHALL NOT EXTEND BEYOND THE WARRANTY PERIOD DESCRIBED ABOVE. Some states do not allow limitations on how long an implied warranty lasts, so this limitation may not apply to you.



Customer Service
877-424-9699

Aston Global Inc
902 Nicholson Rd Suite 100
Garland, TX 75042

If further assistance is needed , or you
have a question, please visit our web
site at:

www.astonbath.com