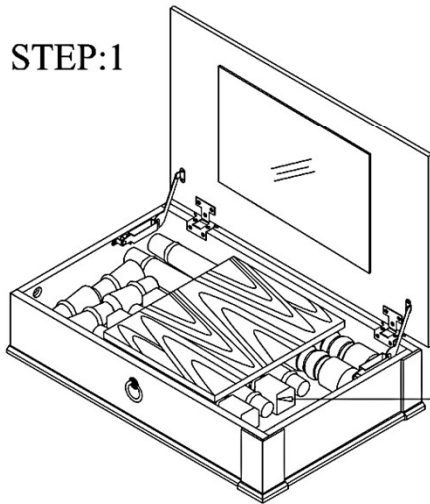


# ASSEMBLY INSTRUCTION

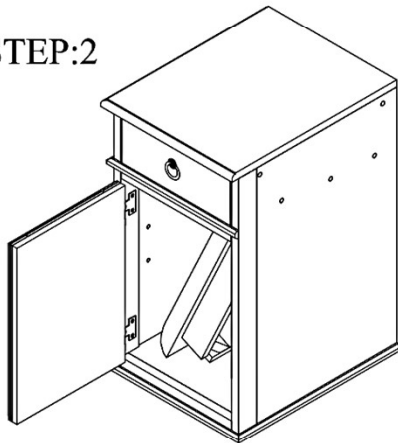
**WARNING DO NOT USE POWER TOOLS!,  
DO NOT TIGHTEN ALL BOTS BEFORE ALL LEGS ARE ATTACHED AND LEVELED.**

STEP:1

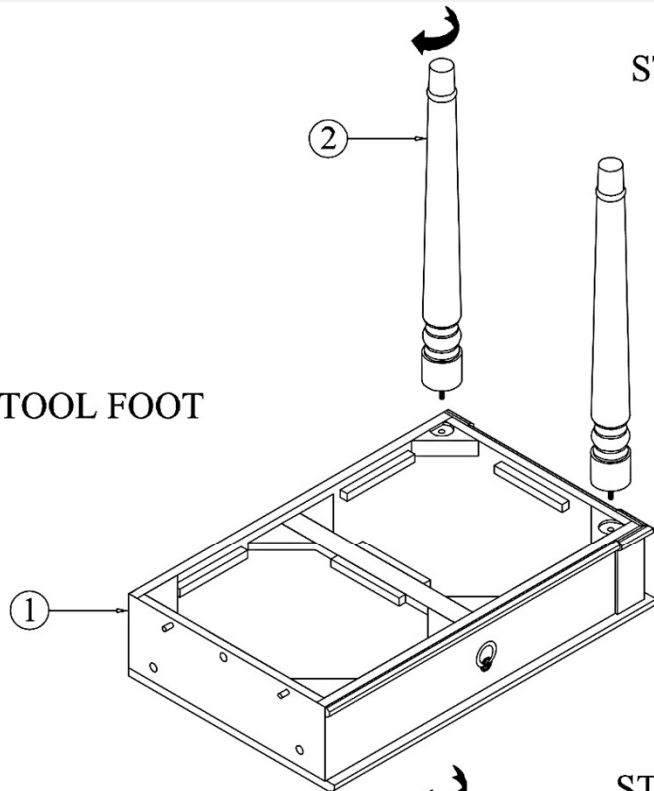


STOOL FOOT

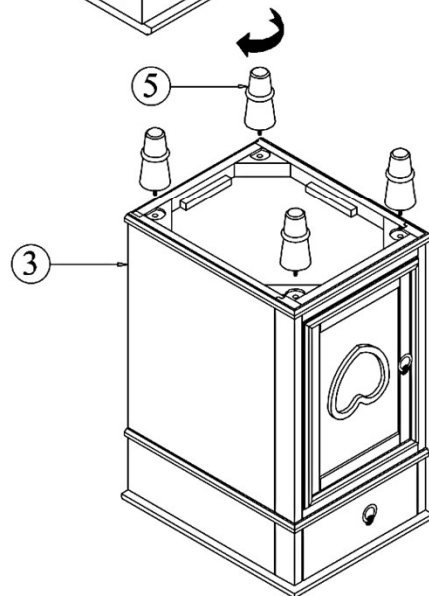
STEP:2








STEP:3



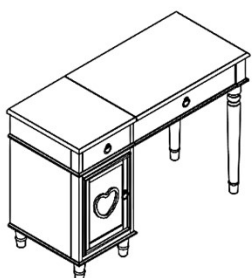
STEP:4



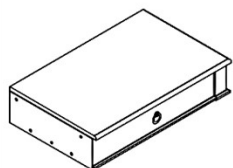
## HARDWARE LIST

NO	DESCRIPTION		
A	ALLEN KEY		1PC
B	JCBC BOLT(Ø1/4"*38mm)		3PCS
C	SPRING WASHER (Ø1/4"*Ø12mm)		3PCS
D	FLAT WASHER (Ø1/4"*Ø19mm)		3PCS
E	BASS DECKING		4PCS

## ASSEMBLY LS COMPLETED



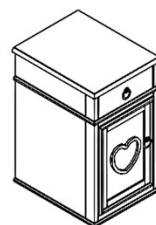
## PLERT LIST



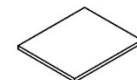
1- TOP (1PC)



2- LEG (2PCS)



3-Dressre(1PS)



4-Floor planks(1ps)

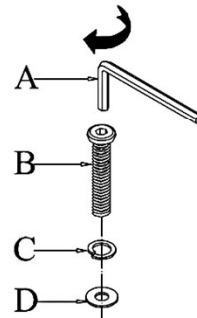
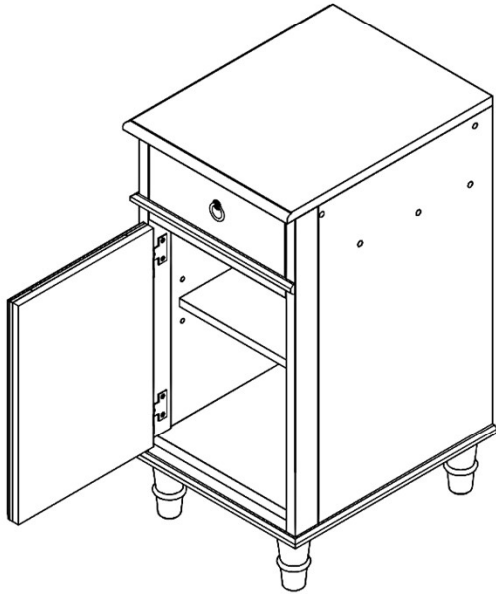


5- LEG (4PCS)

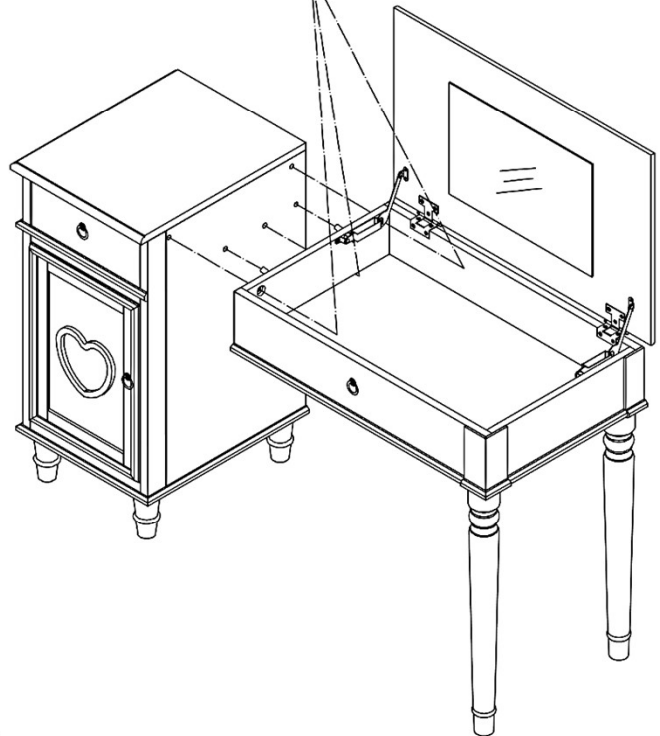
# ASSEMBLY INSTRUCTION

WARNING DO NOT USE POWER TOOLS!,  
DO NOT TIGHTEN ALL BOTS BEFORE ALL LEGS ARE ATTACHED AND LEVELED.

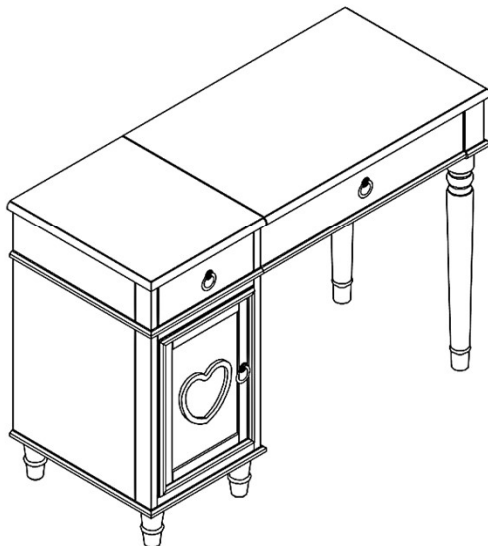
STEP:5



STEP:6



STEP:7



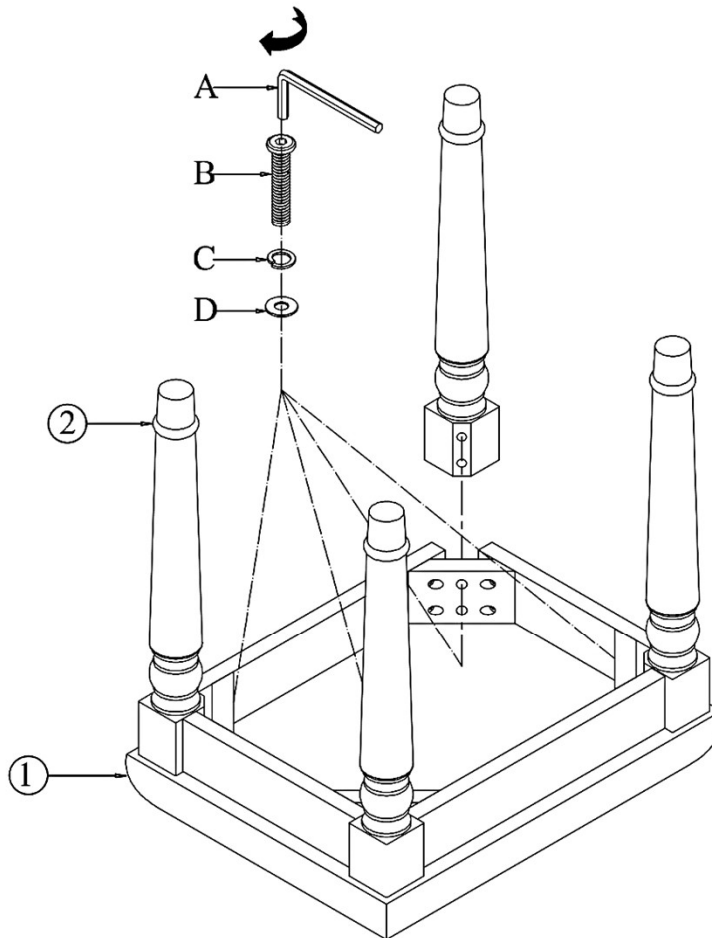
# ASSEMBLY INSTRUCTION

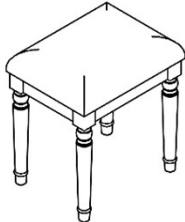
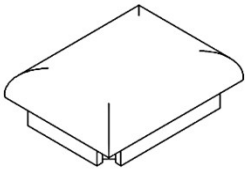





**WARNING DO NOT USE POWER TOOLS!,  
DO NOT TIGHTEN ALL BOTS BEFORE ALL LEGS ARE ATTACHED AND LEVELED.**

1. Place the stool on a level surface such as a glass or wooden panel.
2. Make sure the legs are positioned straight.
3. Slowly tighten each leg.

Each set of bolts must be tightened slowly and evenly, switching between top and bottom bolts to make sure the leg maintains the straight position.

## STEP:1



ASSEMBLY LS COMPLE	PLERT LIST		HARDWARE LIST		
			NO	DESCRIPTION	
	 1- SEAT (1PC)	 2- LEG (4PCS)	A	ALLEN KEY	 1PC
			B	JCBC BOLT(Ø1/4"*63mm)	 8PCS
			C	SPRING WASHER (Ø1/4"*Ø12mm)	 8PCS
			D	FLAT WASHER (Ø1/4"*Ø19mm)	 8PCS