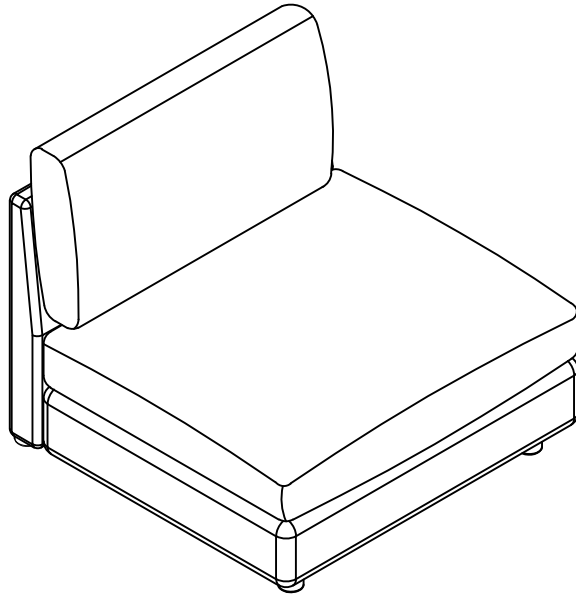
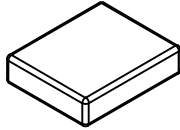

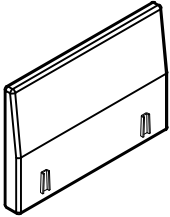
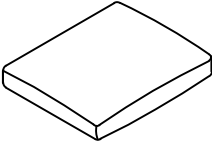
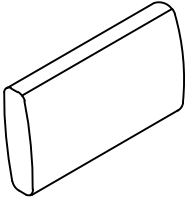


ASSEMBLY INSTRUCTIONS



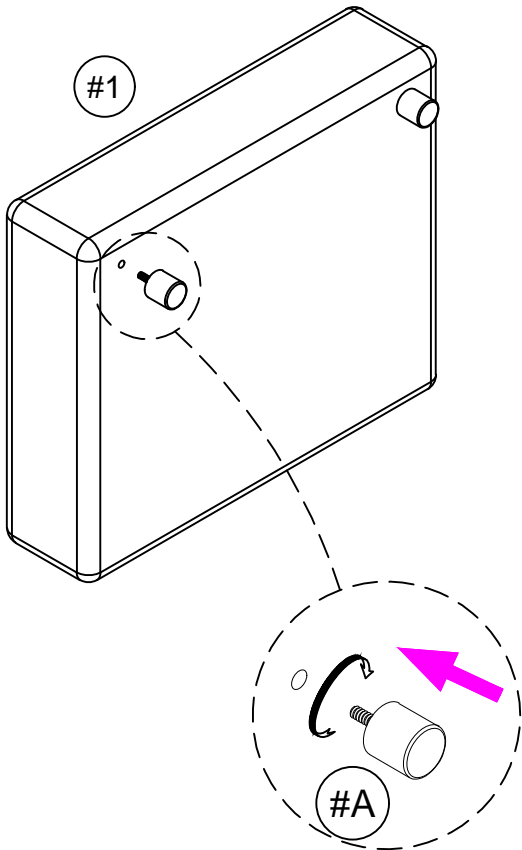
ARMLESS CHAIR is packed in 1 cases

Carton	Disignation	Part		Hardware/Leg
1/1	Seat frame	#1		#A  x4pcs
	Backrest	#2		
	Seat Cushion	#3		
	Back Cushion	#4		

ASSEMBLY INSTRUCTIONS

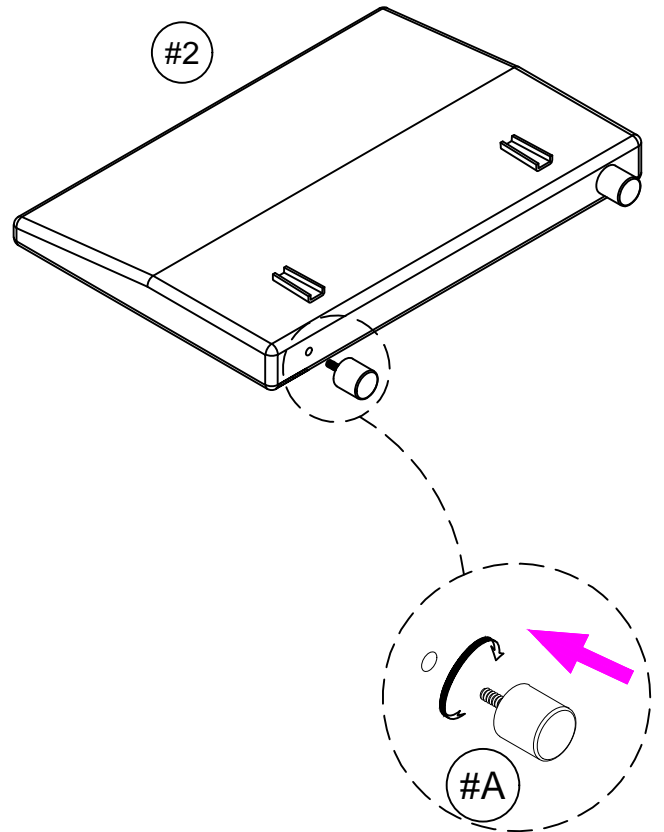
STEP 1:

Assemble part #A on to part #1



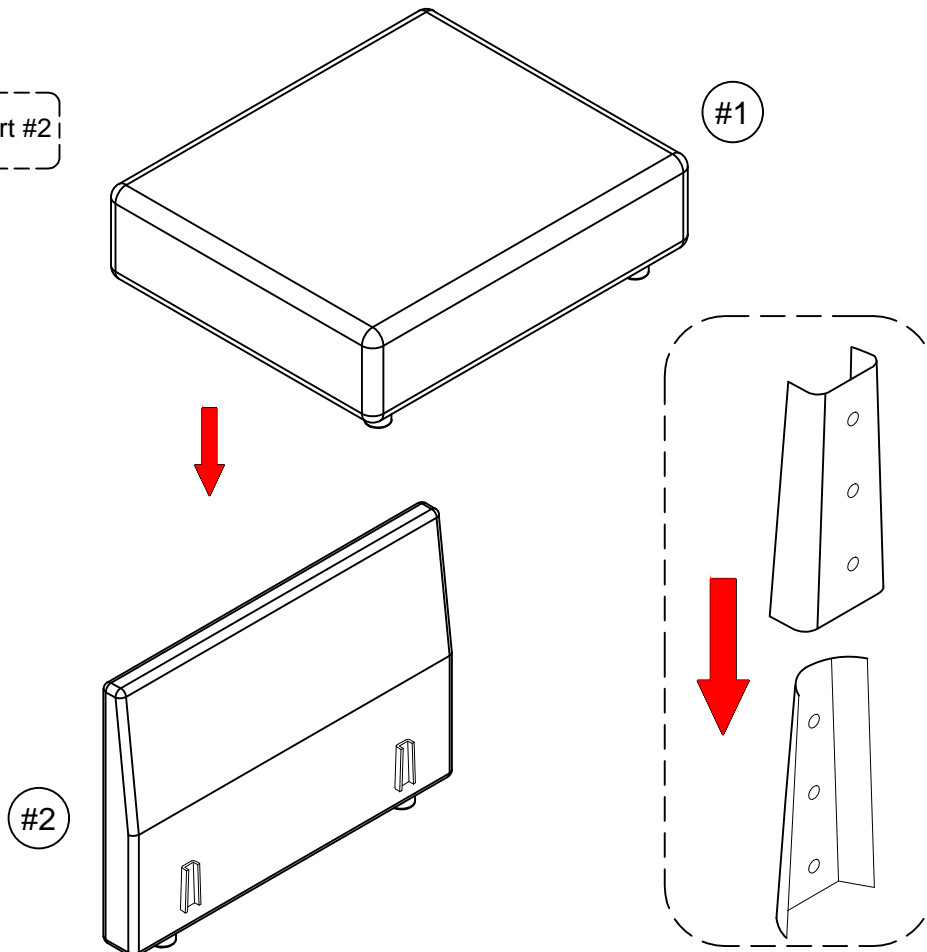
STEP 2:

Assemble part #A on to part #2



STEP 3:

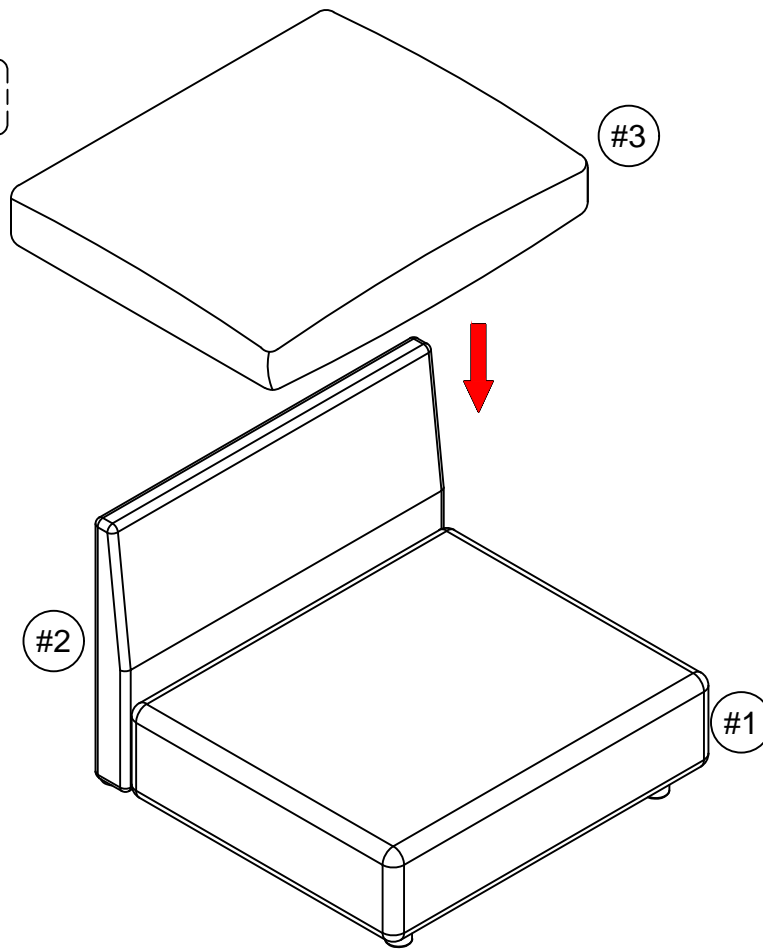
Assemble part #1 on to part #2



ASSEMBLY INSTRUCTIONS

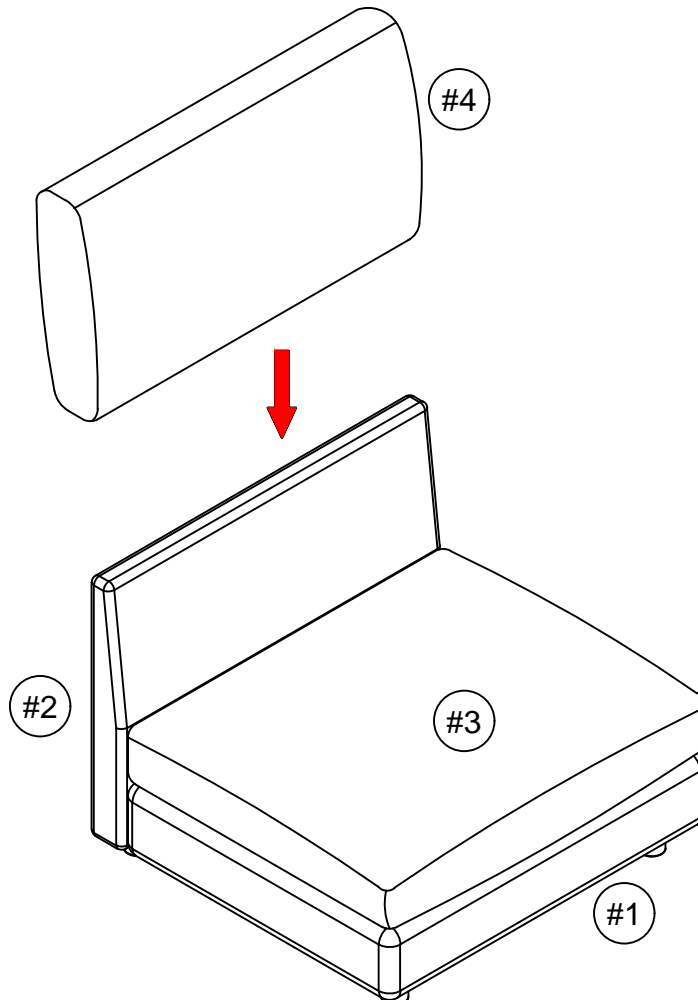
STEP 4:

Place part #3 on top of part #1



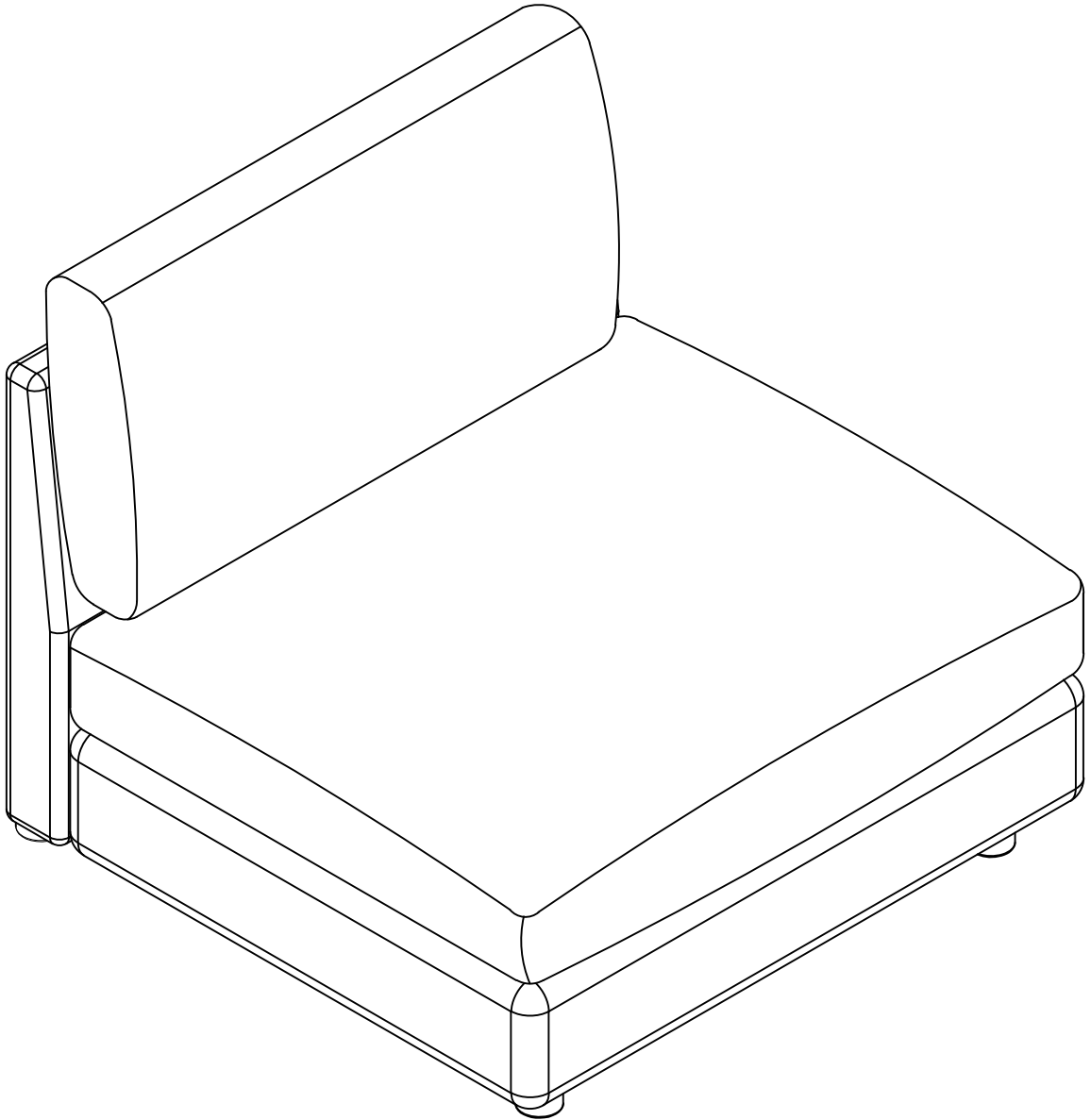
STEP 5:

Place part #4 on top of part #3 and in front of the Part #2



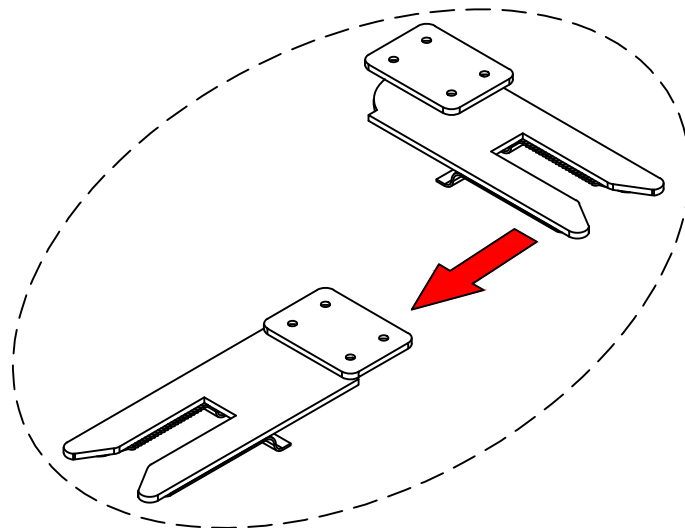
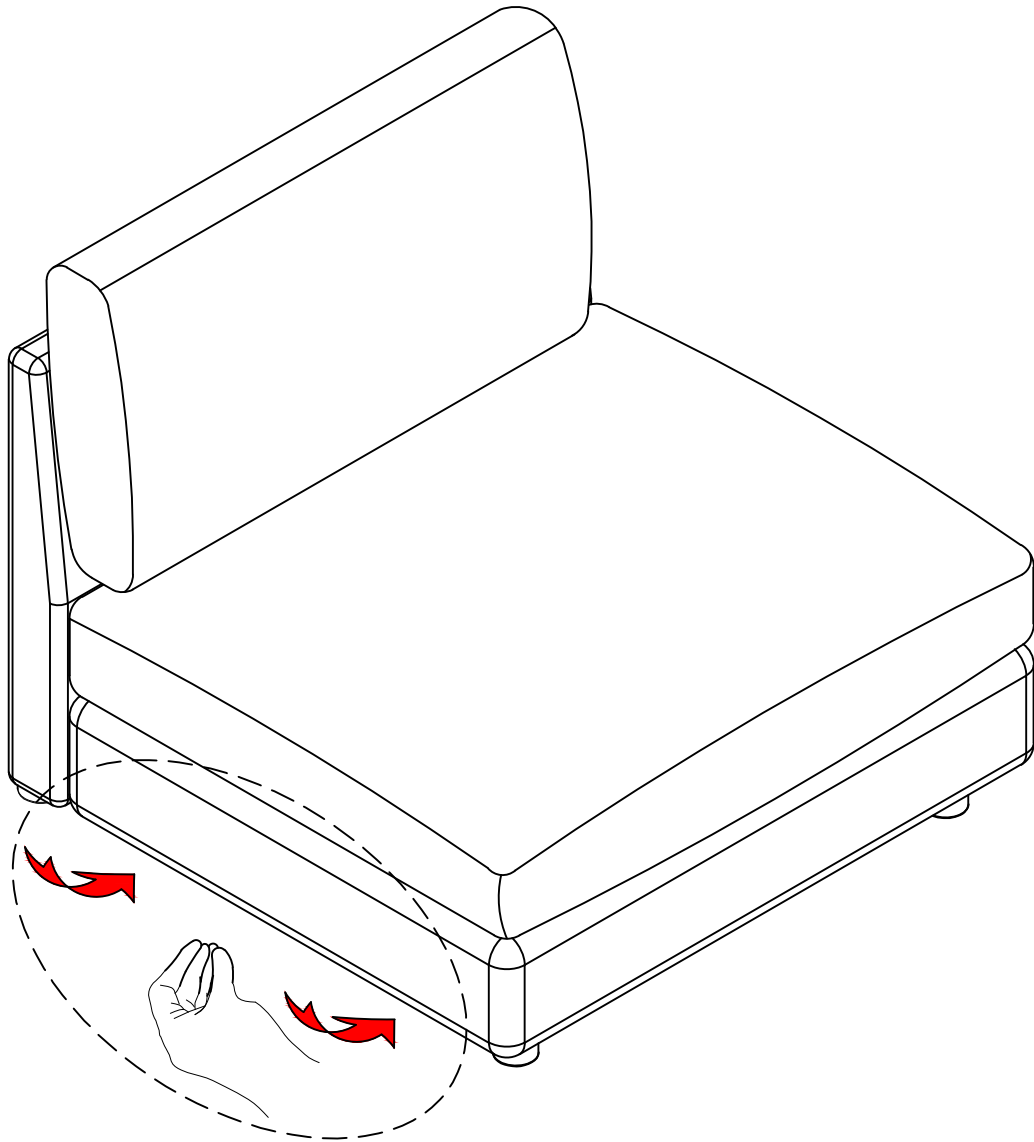
ASSEMBLY INSTRUCTIONS

COMPLETE



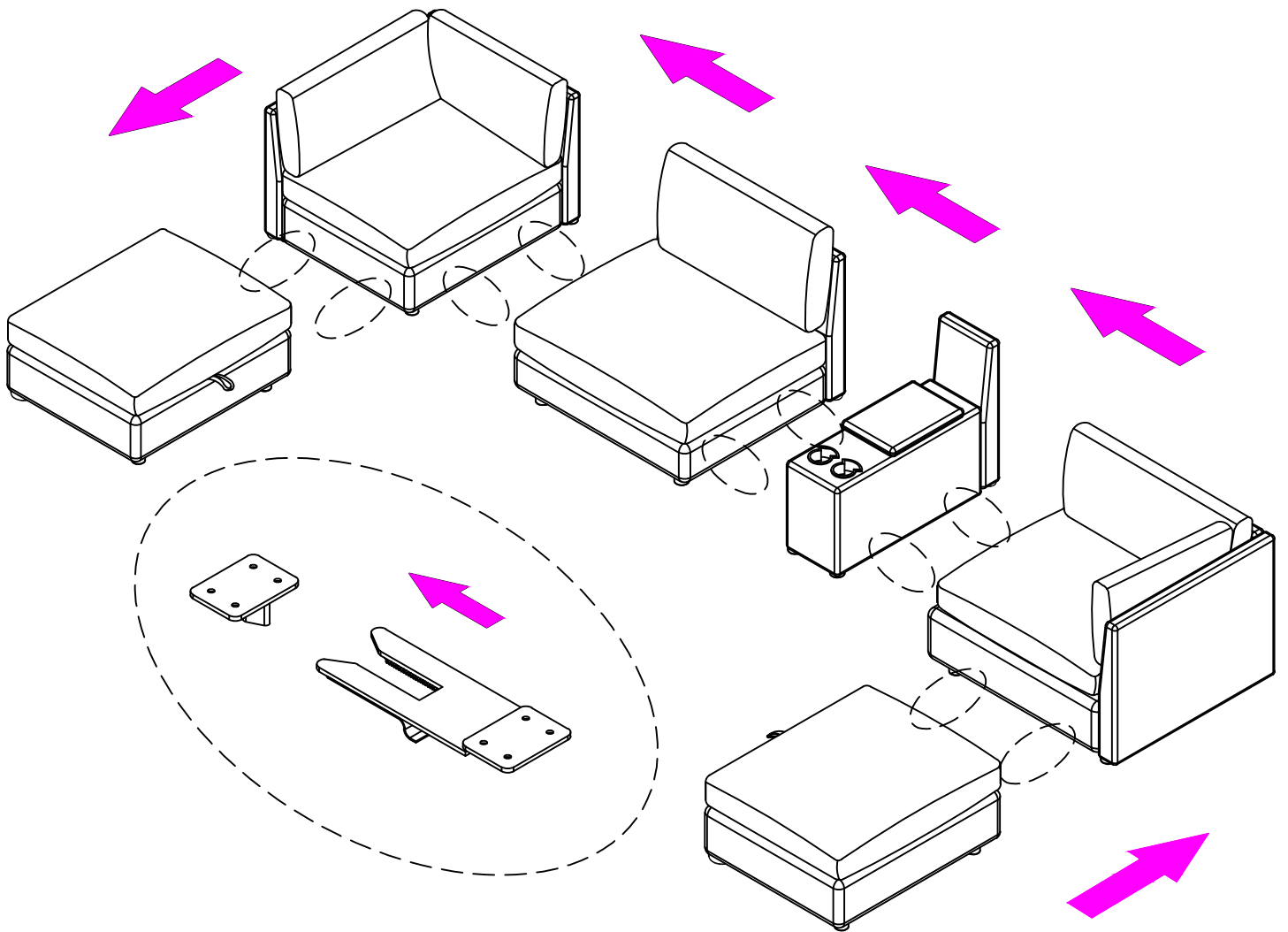
ASSEMBLY INSTRUCTIONS

CONNECT: STEP 1



ASSEMBLY INSTRUCTIONS

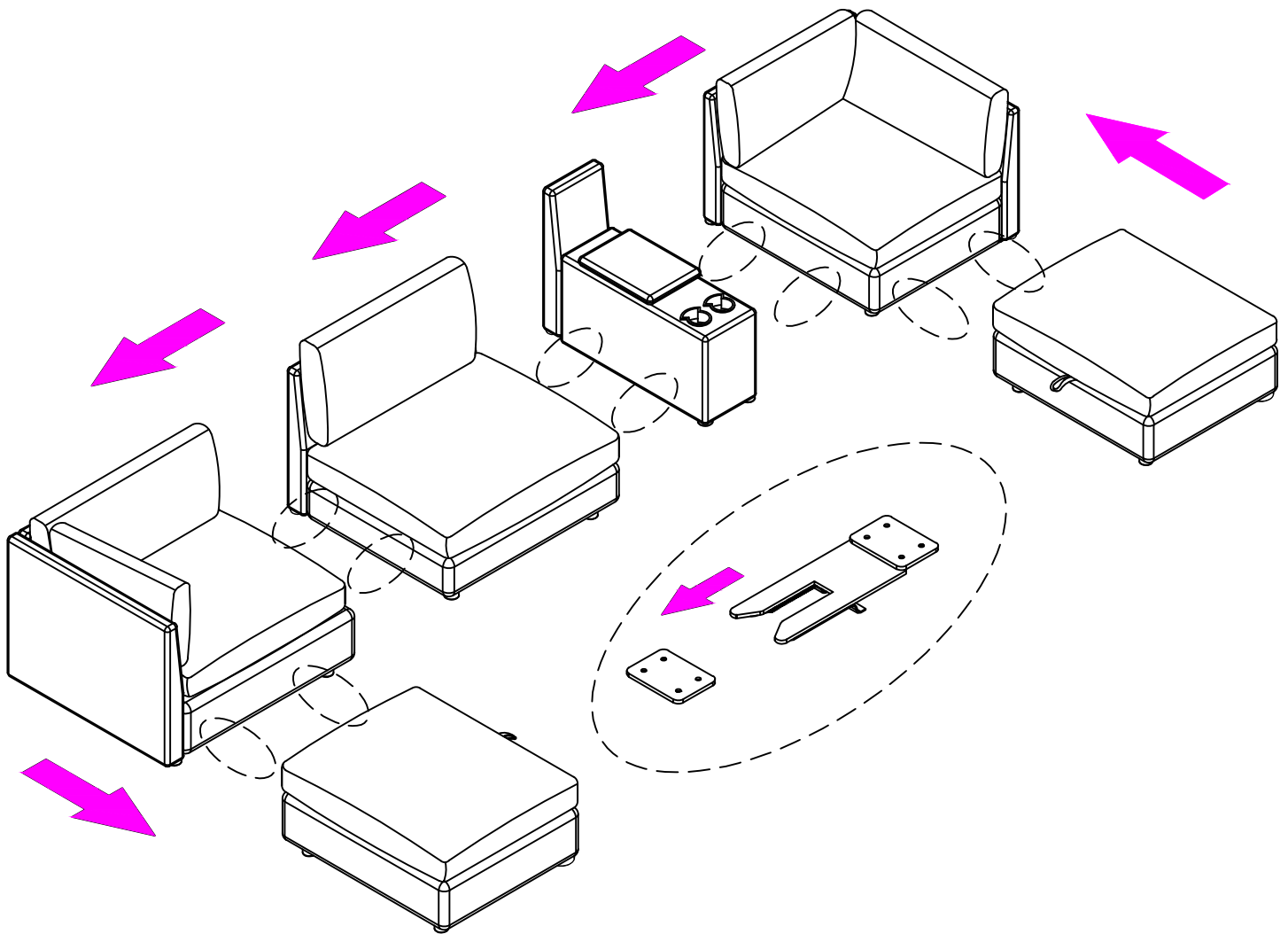
COMPLETE



Isometric Right View

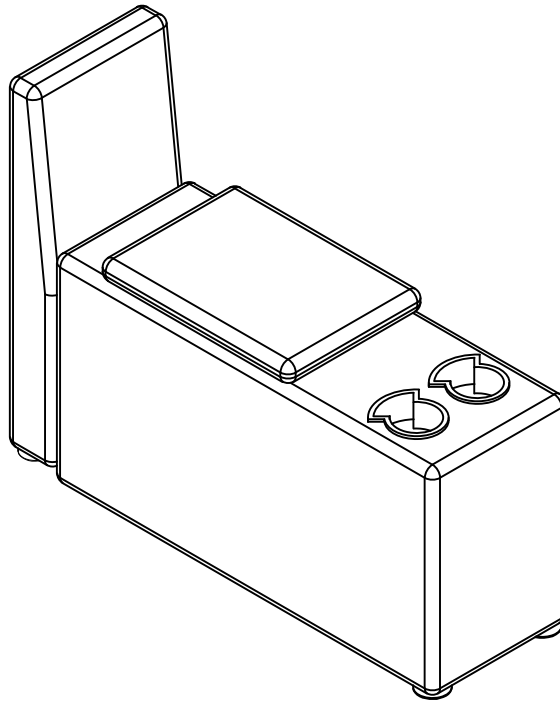
ASSEMBLY INSTRUCTIONS

COMPLETE

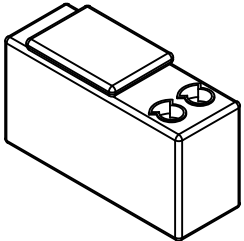
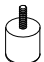
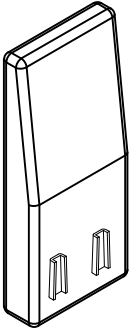


Isometric Left View

ASSEMBLY INSTRUCTIONS



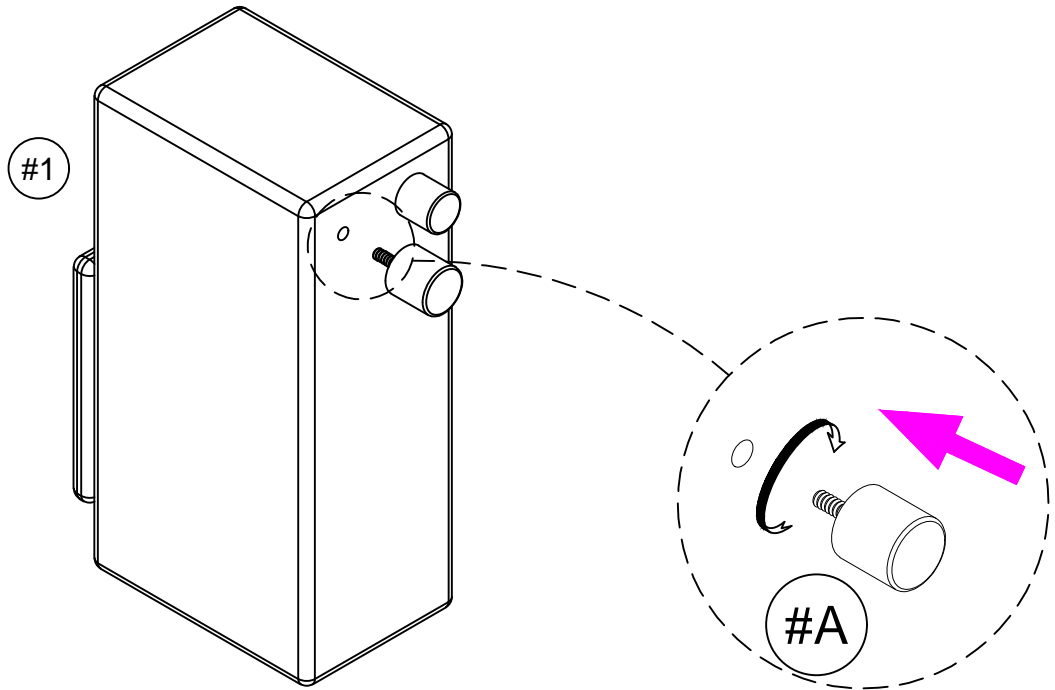
Arm Table is packed in 1 cases

Carton	Disignation	Part	Part	Hardware/Leg
1/1	Base	#1		#A  x4pcs
	Backrest	#2		

ASSEMBLY INSTRUCTIONS

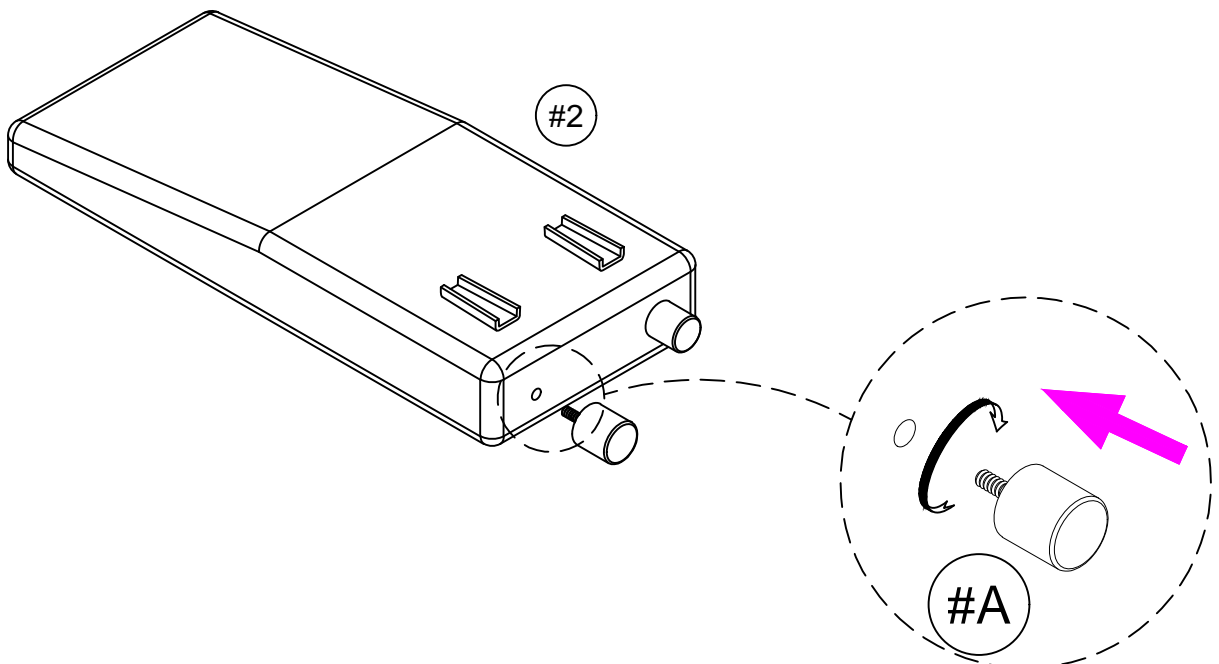
STEP 1:

Assemble part #A on to part #1



STEP 2:

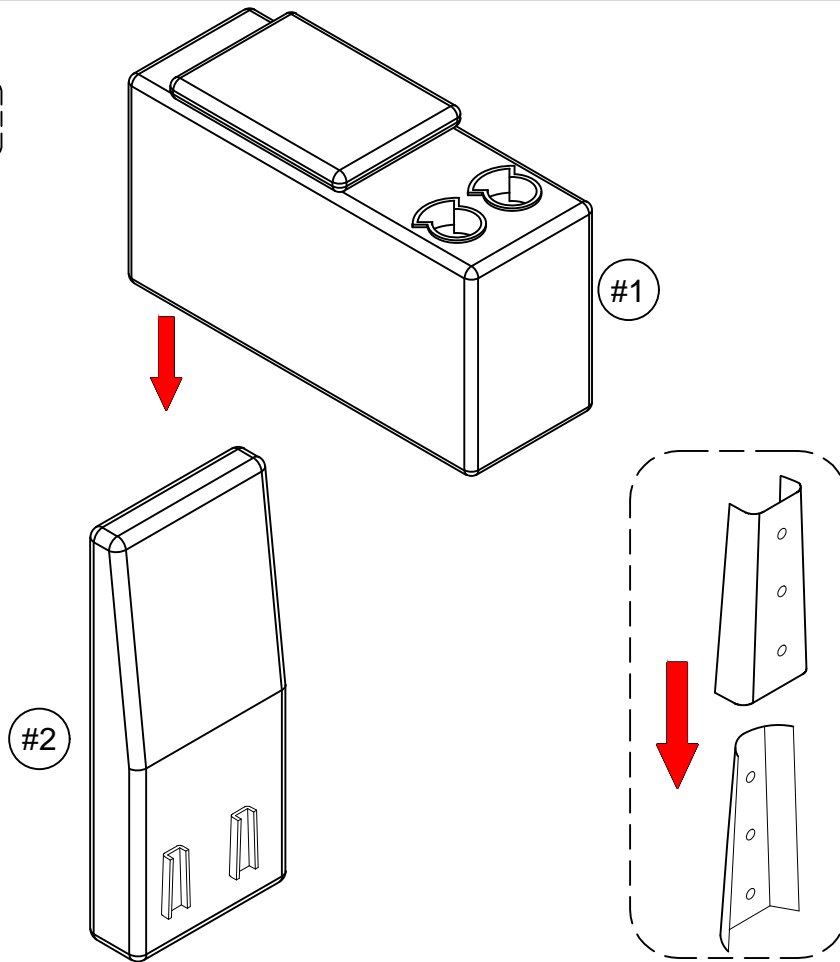
Assemble part #A on to part #2



ASSEMBLY INSTRUCTIONS

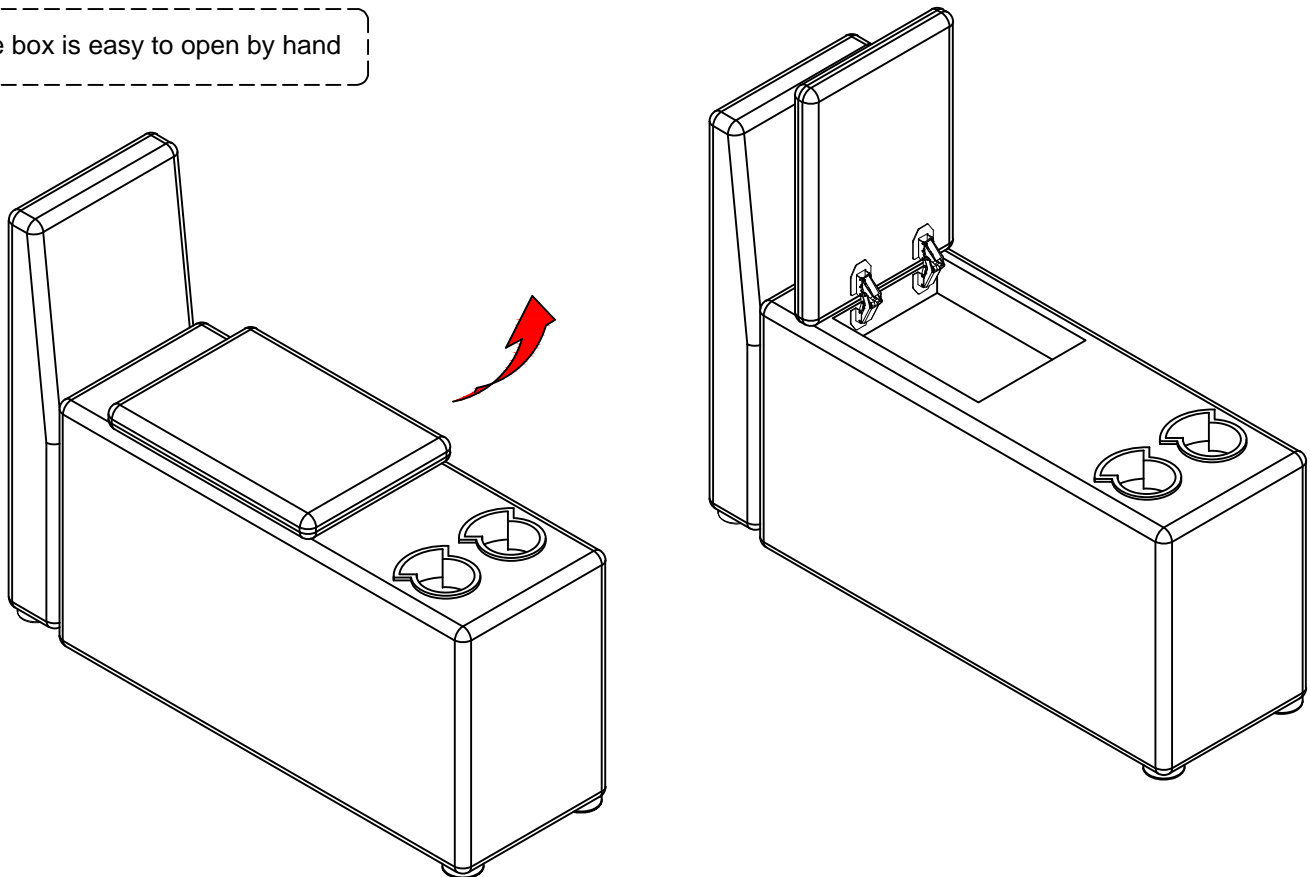
STEP 3:

Assemble part #1 on to part #2



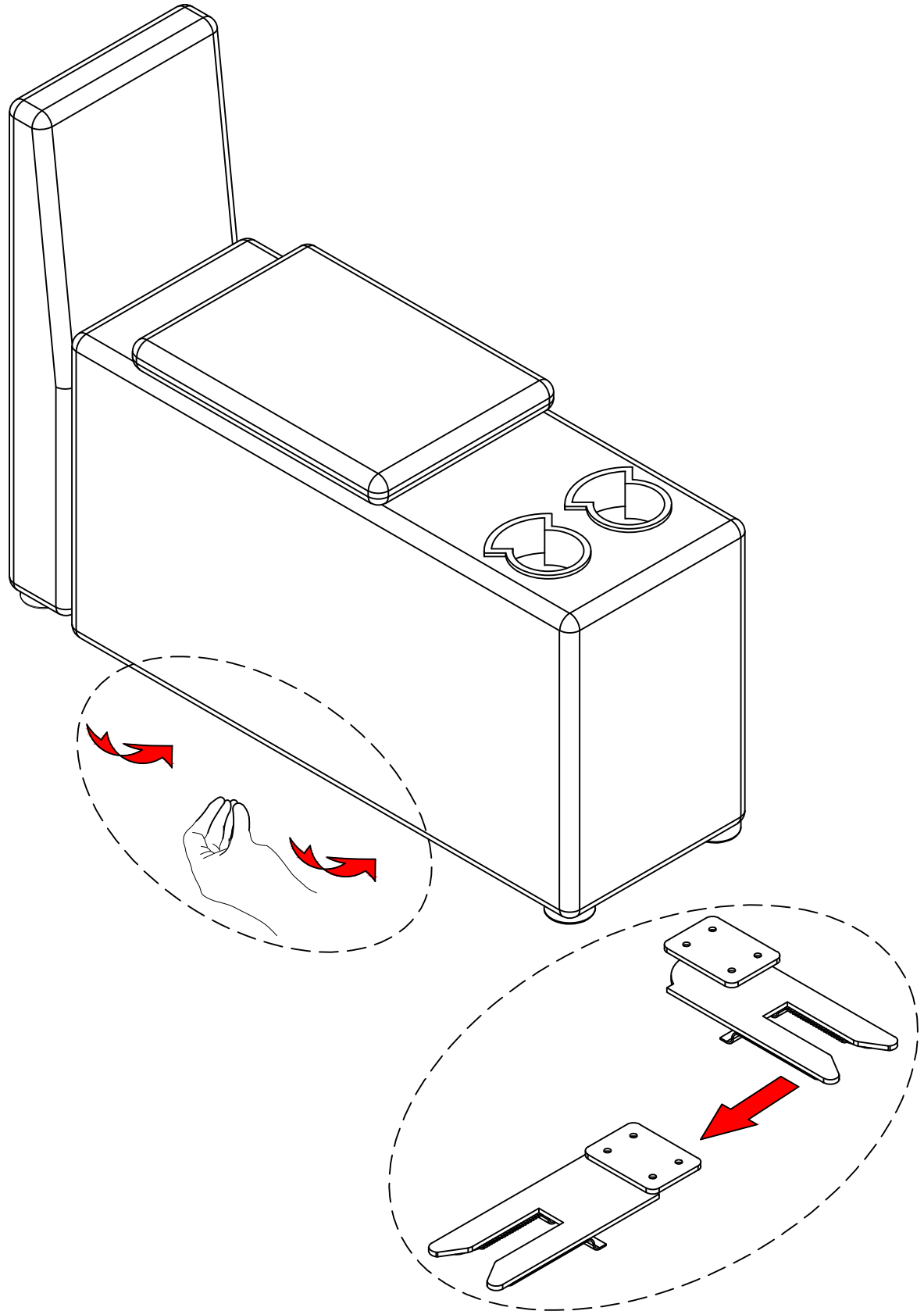
COMPLETE

The box is easy to open by hand

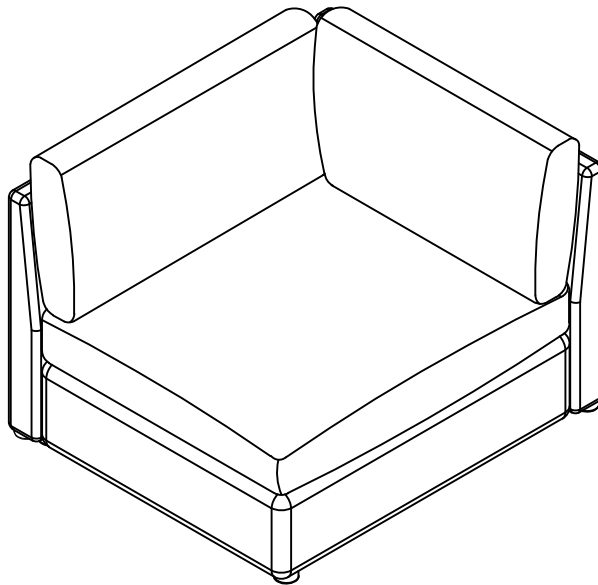


ASSEMBLY INSTRUCTIONS

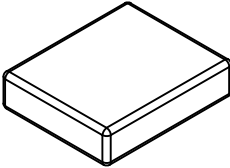

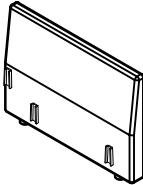
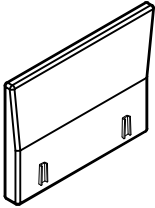
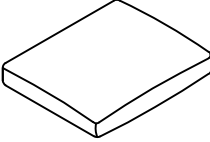
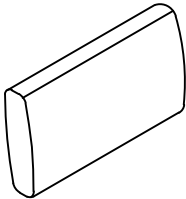
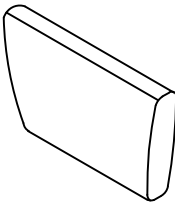
CONNECT: STEP 1



ASSEMBLY INSTRUCTIONS



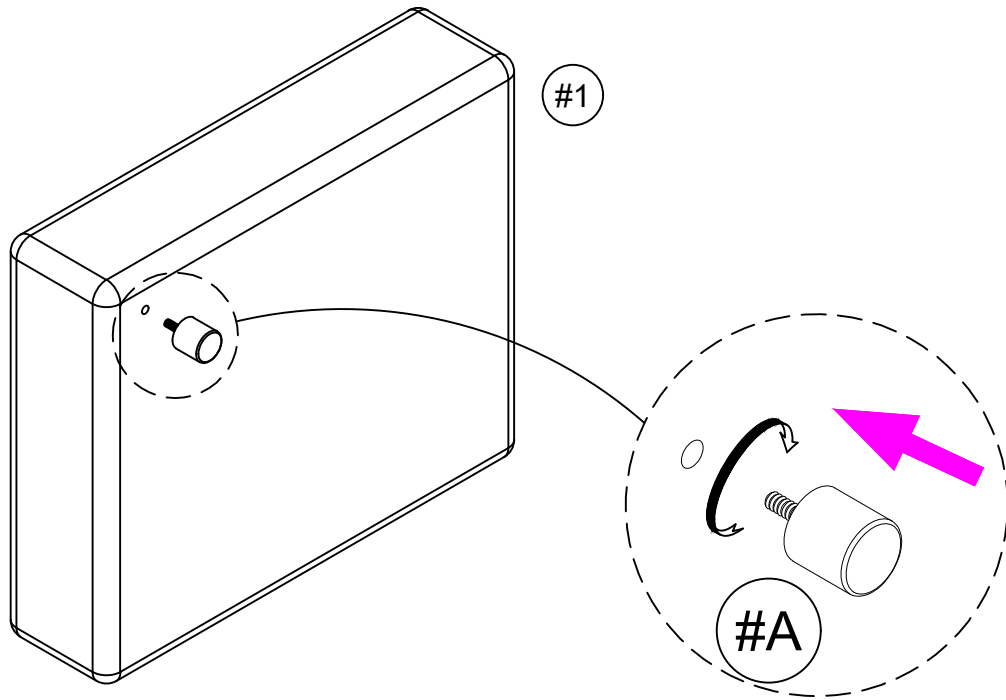
CORNER is packed in 1 cases

Carton	Disignation	Part			Hardware/Leg
1/1	Seat frame	#1		1 PC	#A  x5pcs
	Long Backrest	#2		1 PC	
	Short Backrest	#3		1 PC	
	Seat cushion	#4		1 PC	
	Long Back cushion	#5		1 PCS	
	Short Back cushion	#6		1 PCS	

ASSEMBLY INSTRUCTIONS

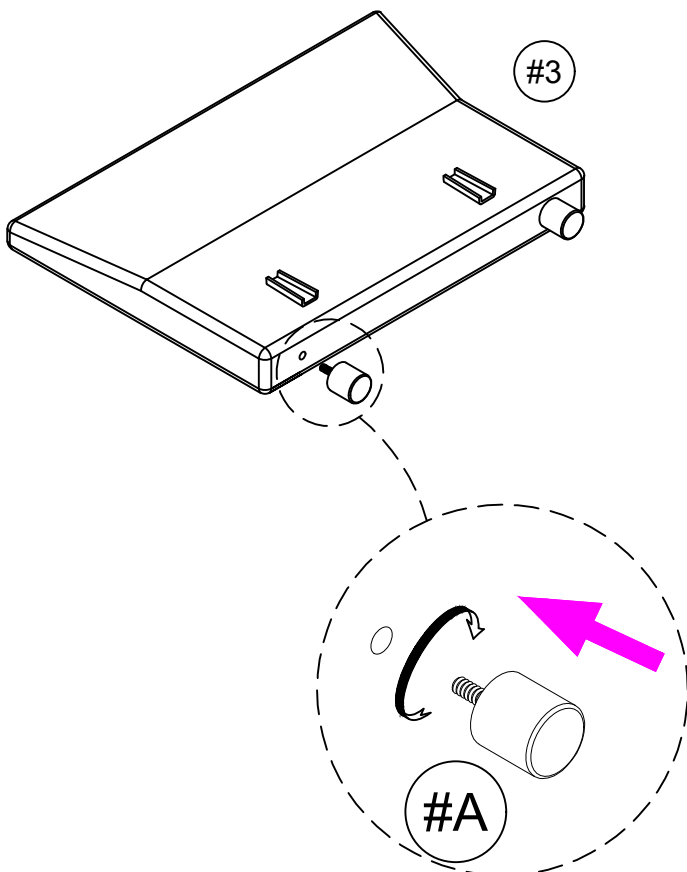
STEP 1:

Assemble part #A on to part #1



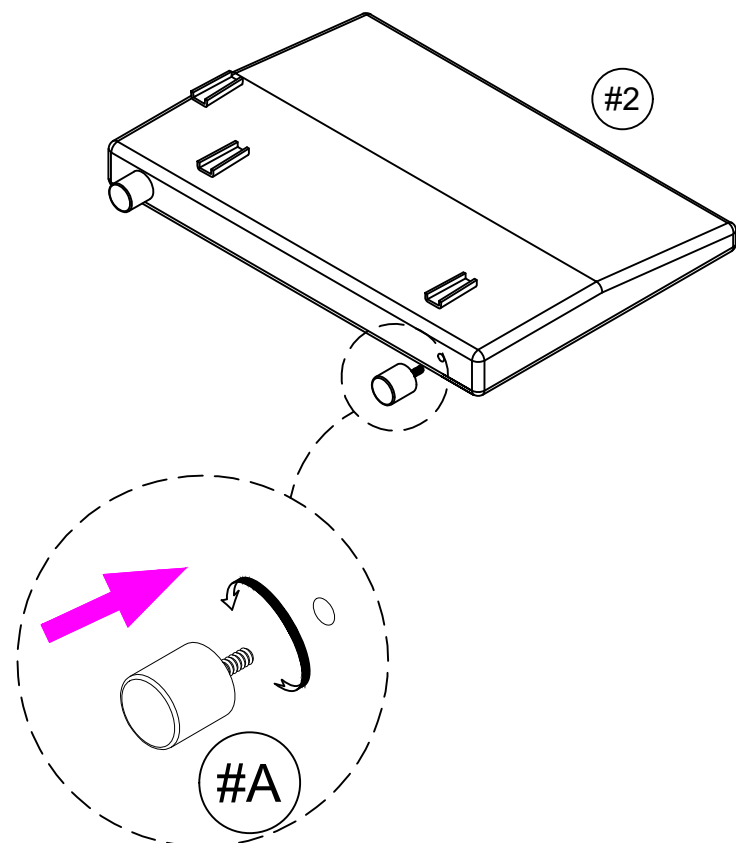
STEP 2:

Assemble part #A on to part #3



STEP 3:

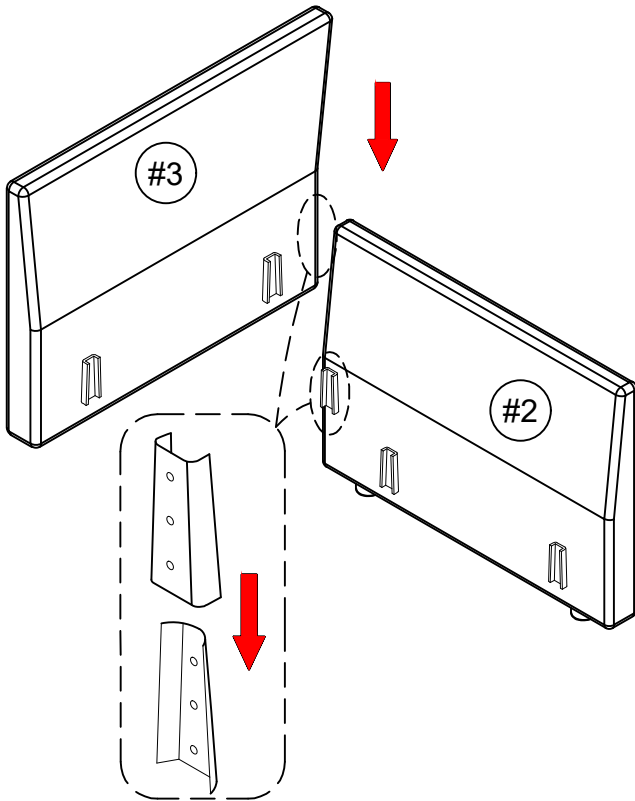
Assemble part #A on to part #2



ASSEMBLY INSTRUCTIONS

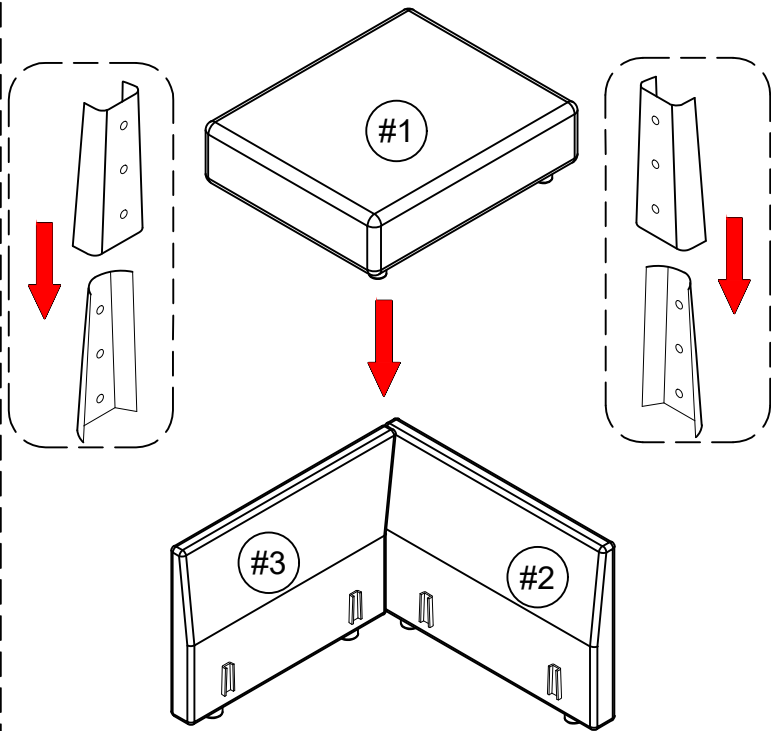
STEP 4:

Assemble part #3 on to part #2



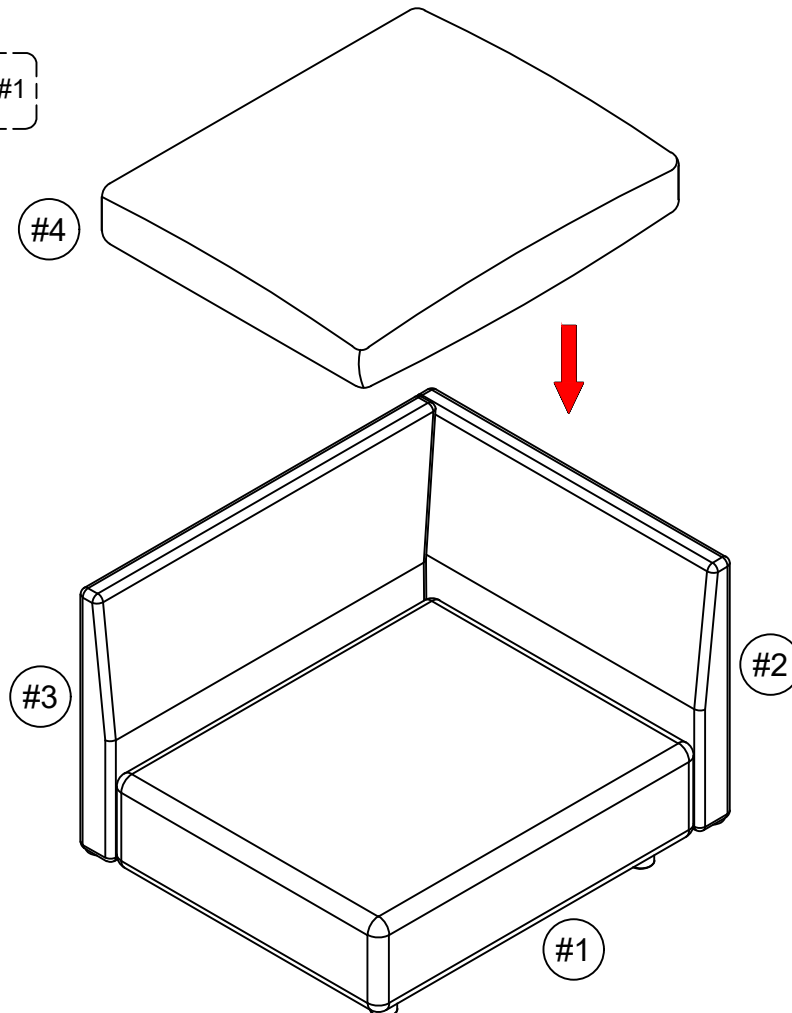
STEP 5:

Assemble part #1 on to part #2 and part #3



STEP 6:

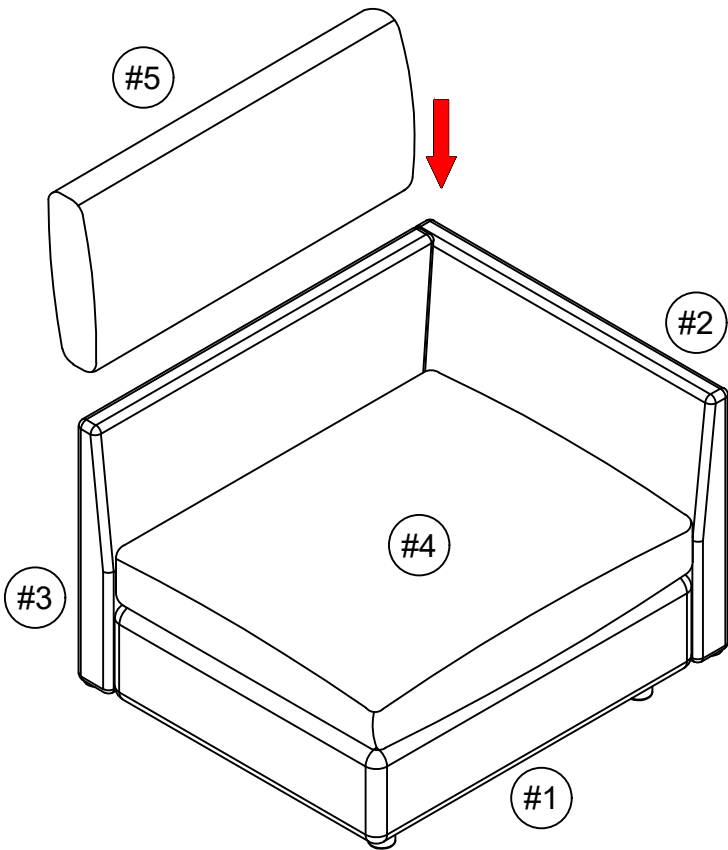
Place part #4 on top of part #1



ASSEMBLY INSTRUCTIONS

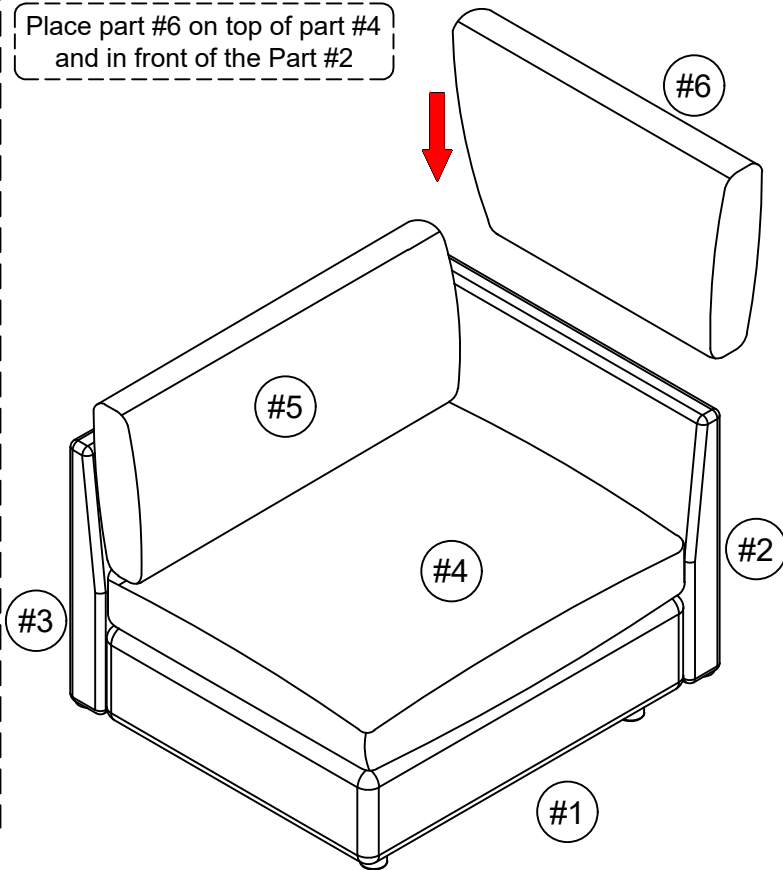
STEP 7:

Place part #5 on top of part #4
and in front of the Part #3

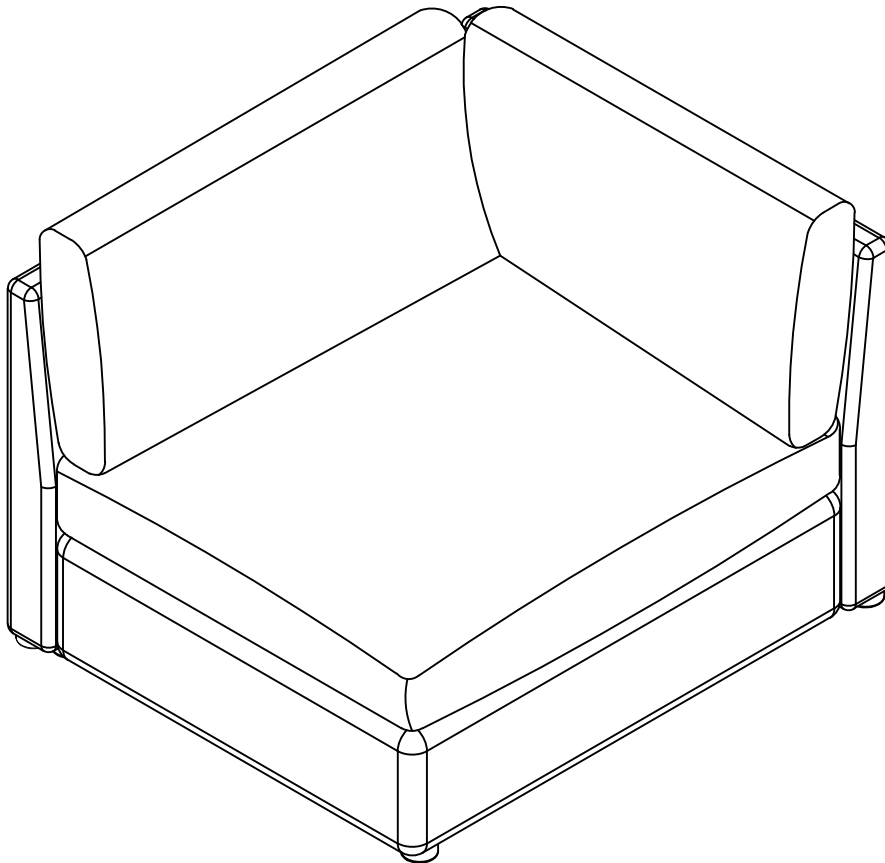


STEP 8:

Place part #6 on top of part #4
and in front of the Part #2

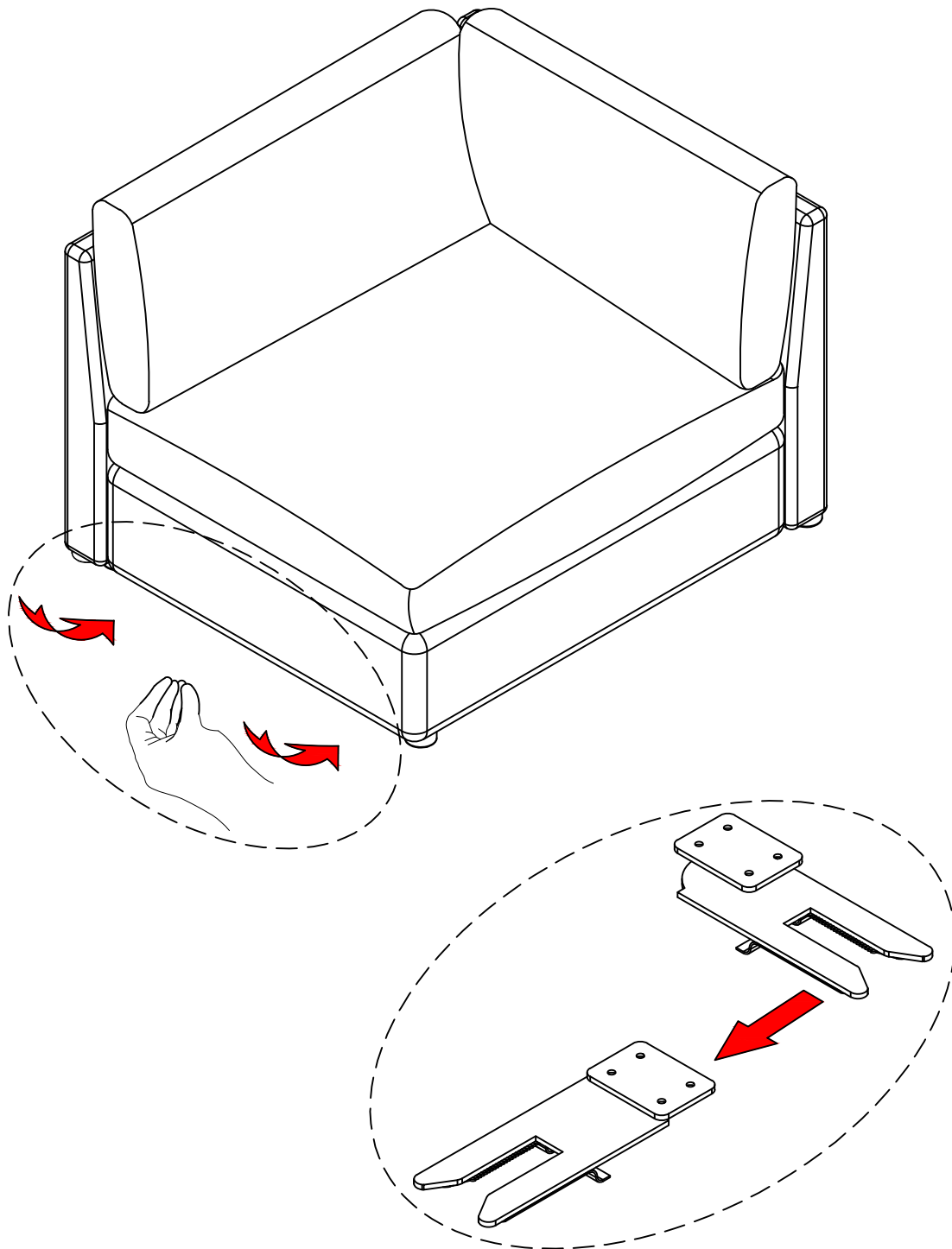


COMPLETE

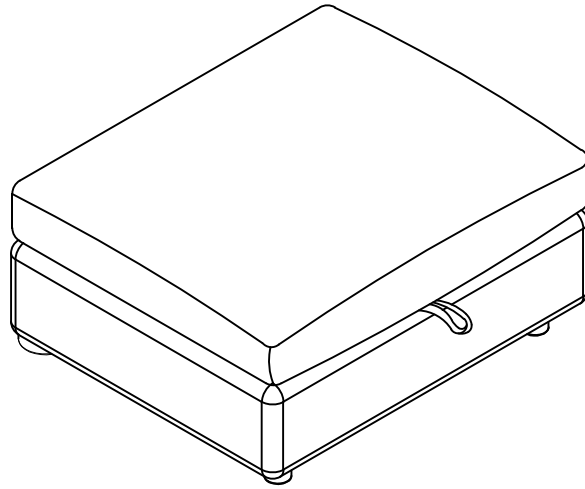


ASSEMBLY INSTRUCTIONS

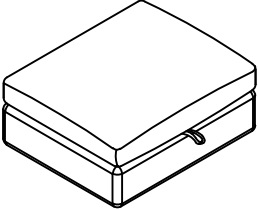

CONNECT: STEP 1



ASSEMBLY INSTRUCTIONS



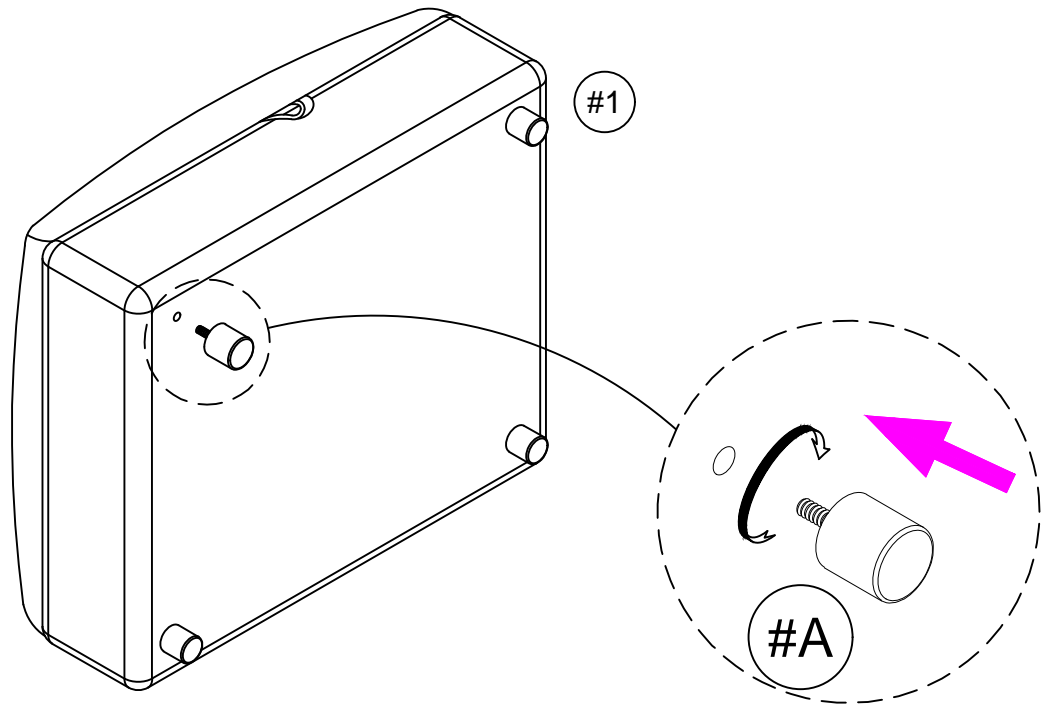
Ottoman is packed in 1 cases

Carton	Disignation	Part		Hardware/Leg
1/1	Ottoman	#1		#A  x4pcs

ASSEMBLY INSTRUCTIONS

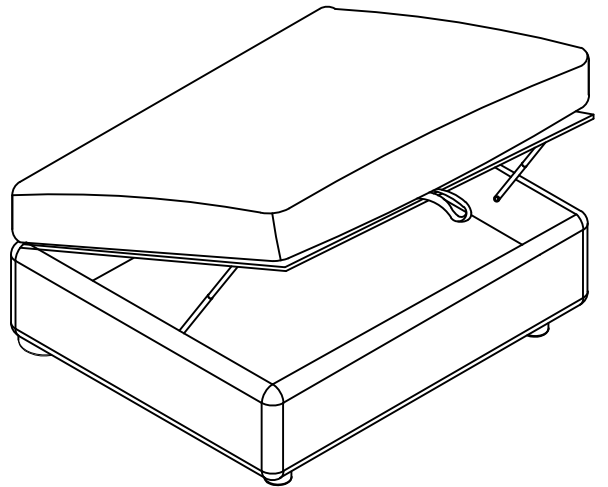
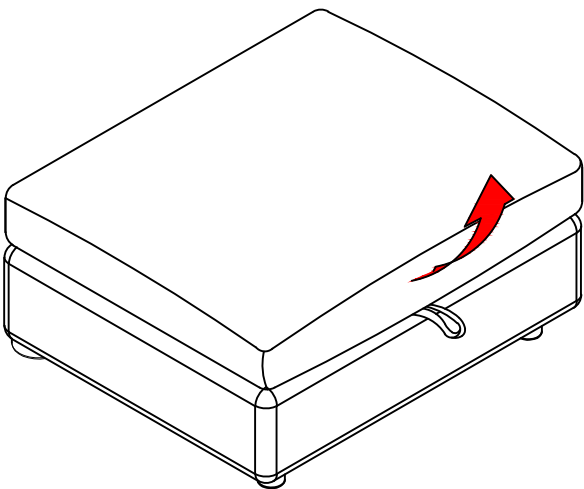
STEP 1:

Assemble part #A on to part #1



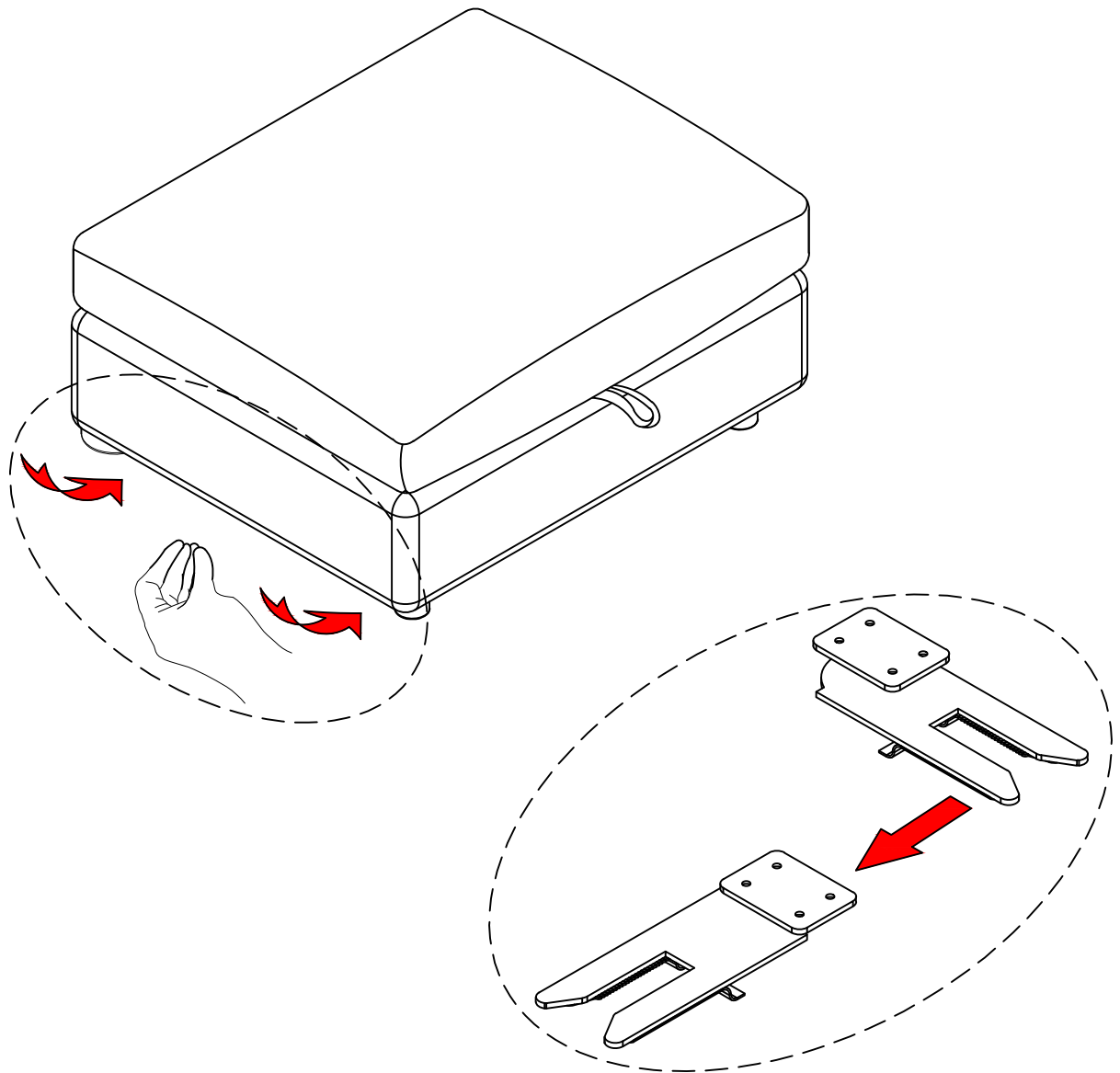
COMPLETE

The box is easy to open by hand



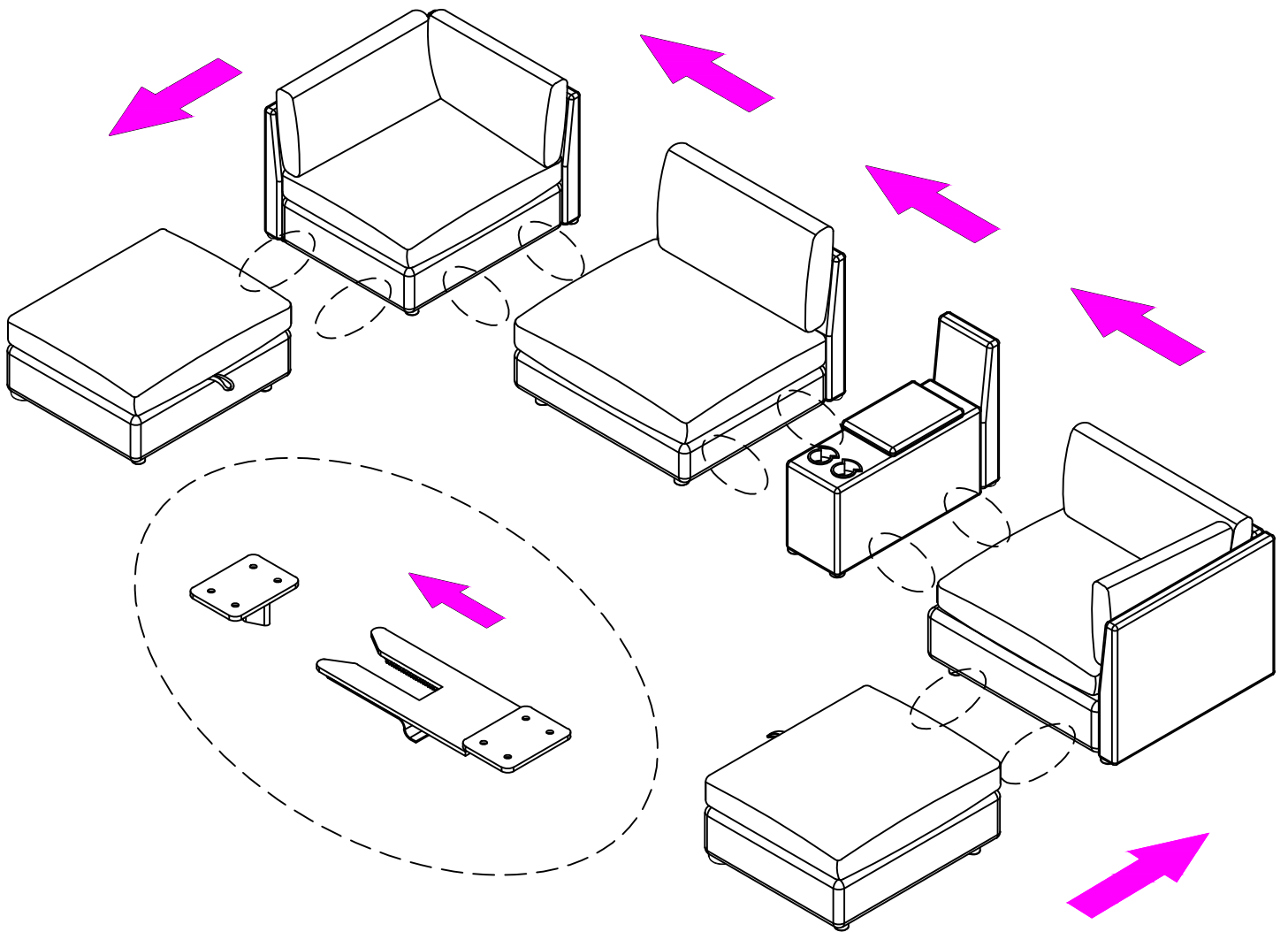
ASSEMBLY INSTRUCTIONS

CONNECT: STEP 1



ASSEMBLY INSTRUCTIONS

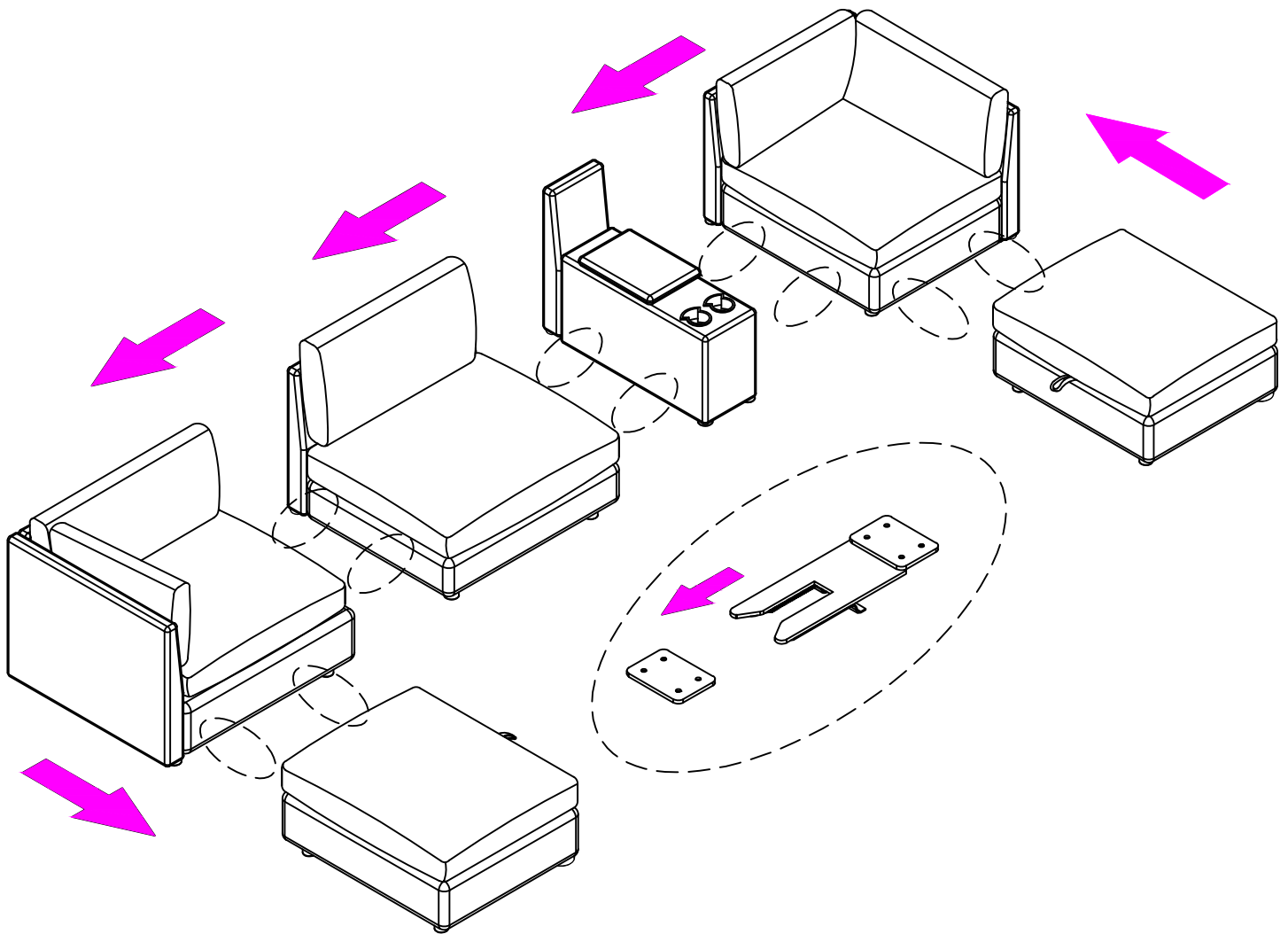
COMPLETE



Isometric Right View

ASSEMBLY INSTRUCTIONS

COMPLETE



Isometric Left View