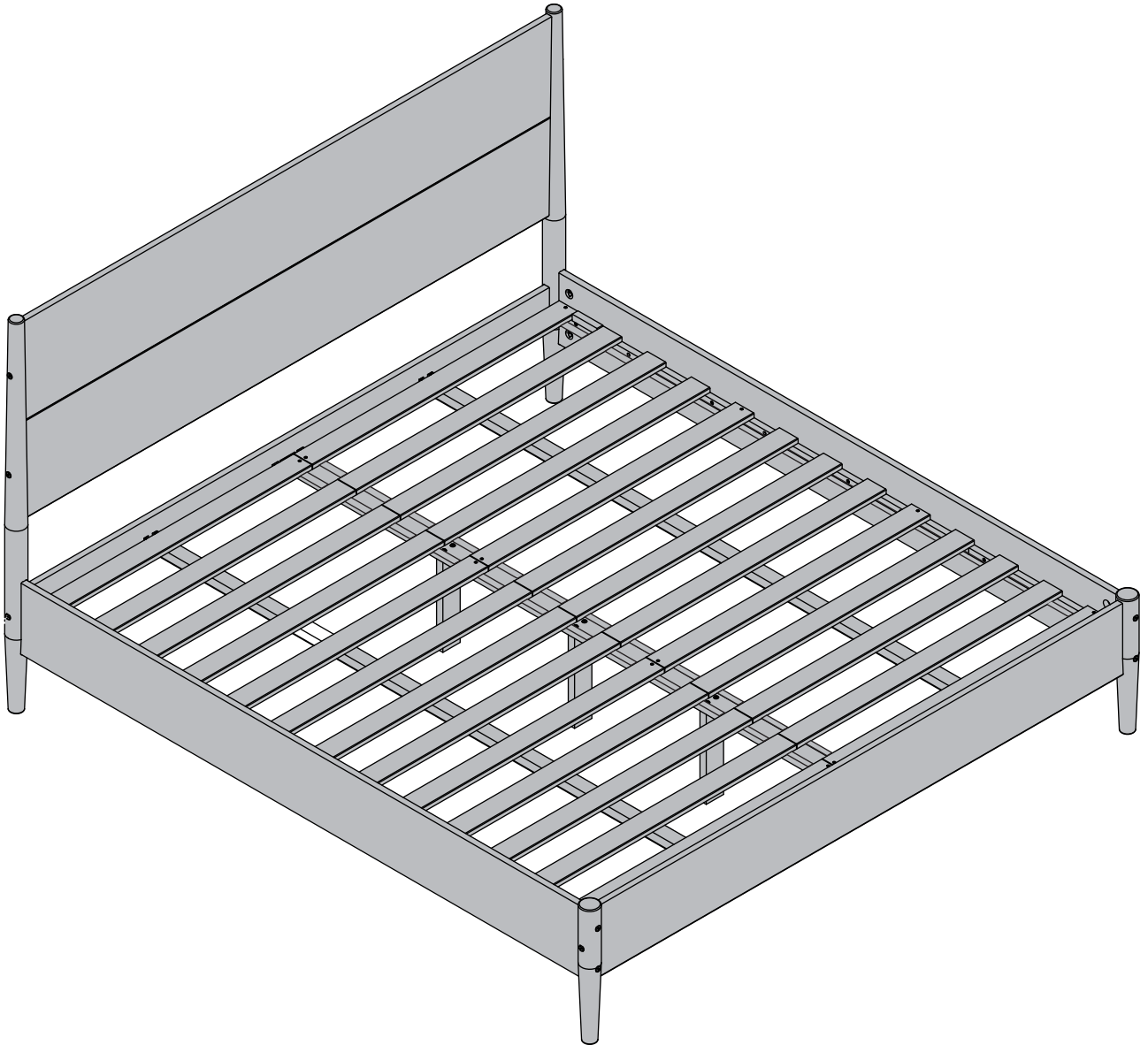


# Mid Century - Queen Bed



Assembly  
02 people



Time  
1 hours

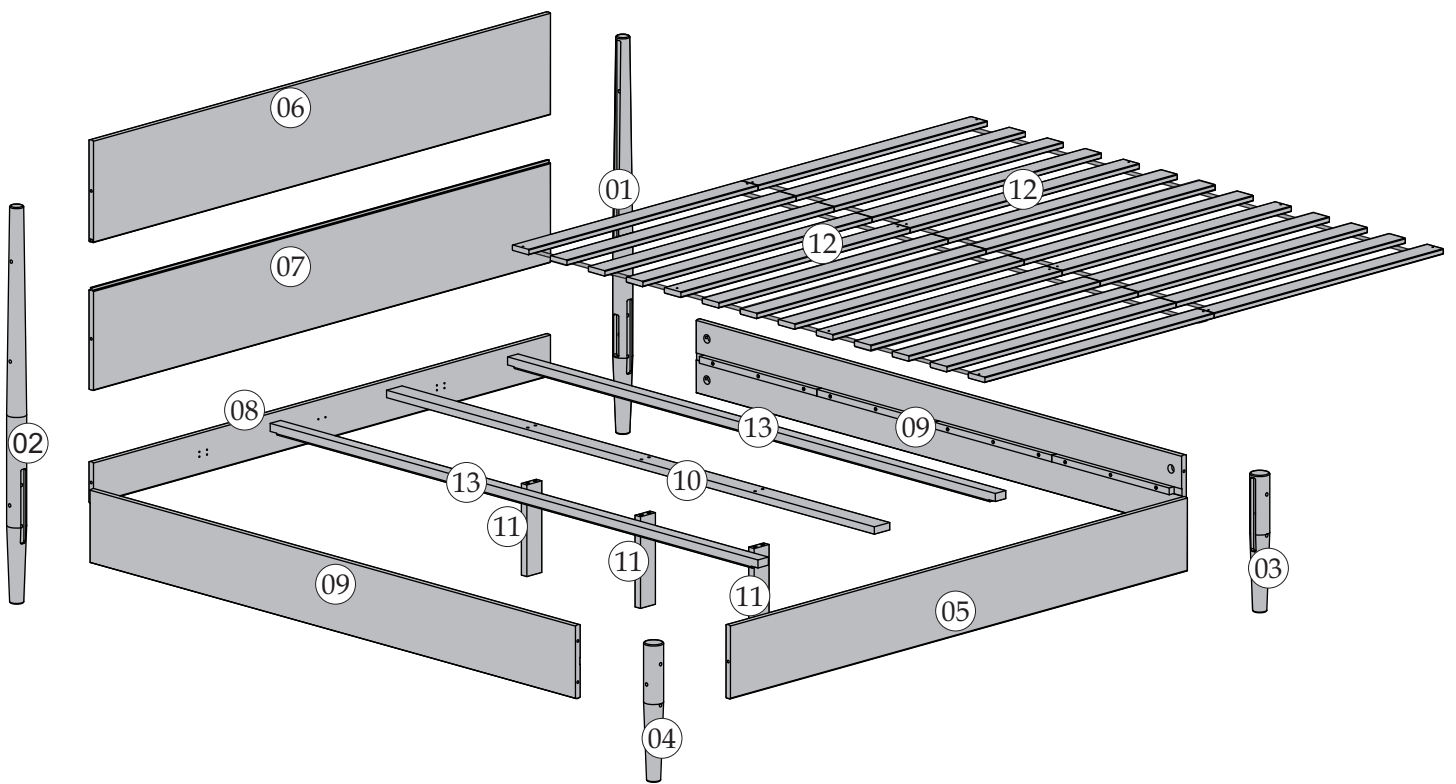


Tools  
philips key, rubber hammer



Volume quantity  
01 boxes






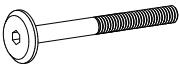
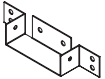
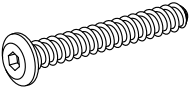
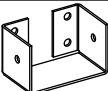
Parts list for assembly. Please confirm all parts available before assembly

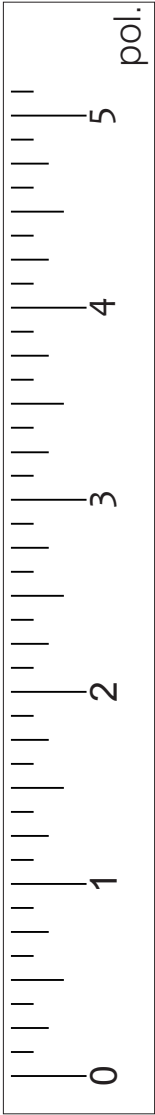


**Attention:**

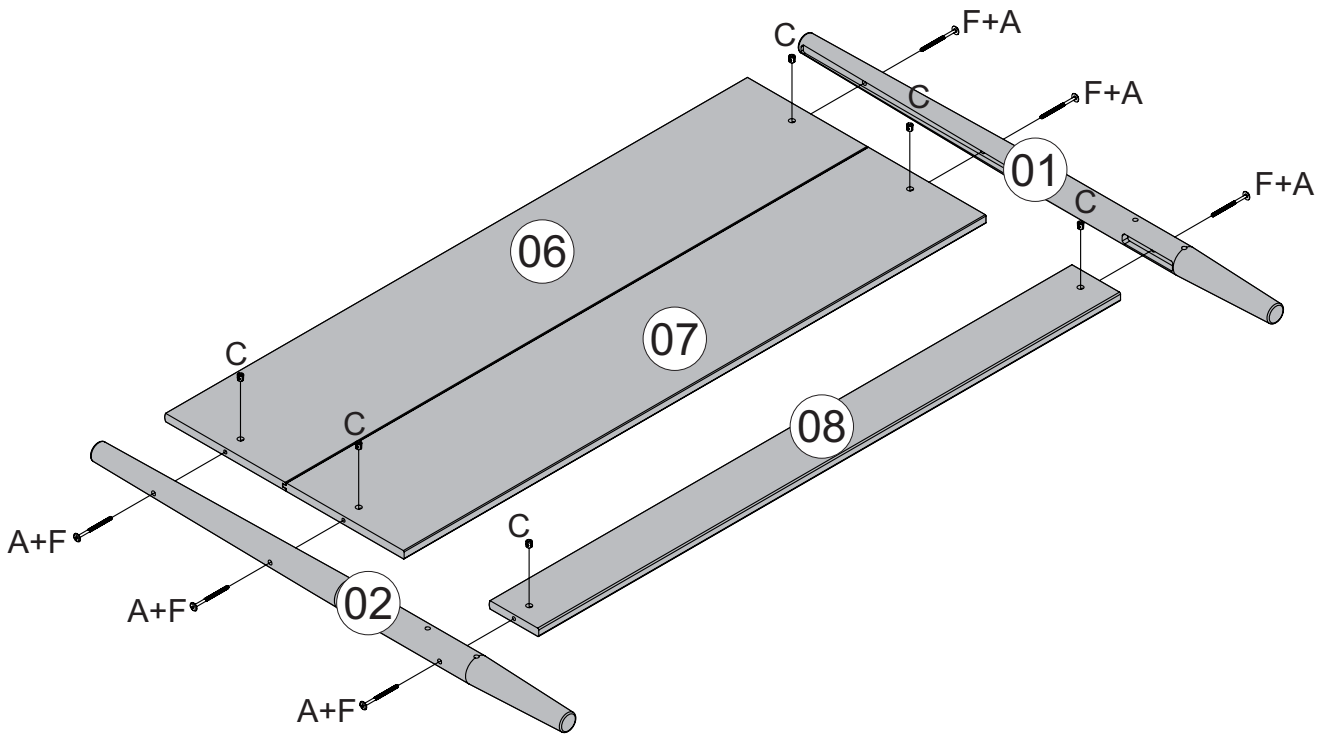
1. Carefully read and follow all assembly instructions before beginning.
2. Assemble the product on a clean, flat surface. We recommend using the packaging to cover the floor to prevent damage.
3. Periodically check and tighten all screws.
4. Keep the product away from sharp objects.
5. Avoid banging the pieces together during assembly.

Hardware list for assembly.  
Please confirm all hardware available before assembly

A		01x	+	SPARE	01x
B		40x $\varnothing 1/8" \times 5/8"$	+		02x
C		08x $1/4" \times 1/2"$	+		02x
D		16x $\varnothing 5/32" \times 1 \ 3/16"$	+		02x
E		08x $1/4"$	+		01x
F		16x $\varnothing 1/4" \times 3 \ 9/16"$	+		01x
G		02x			
H		06x $\varnothing 1/4" \times 2"$			
I		04x			

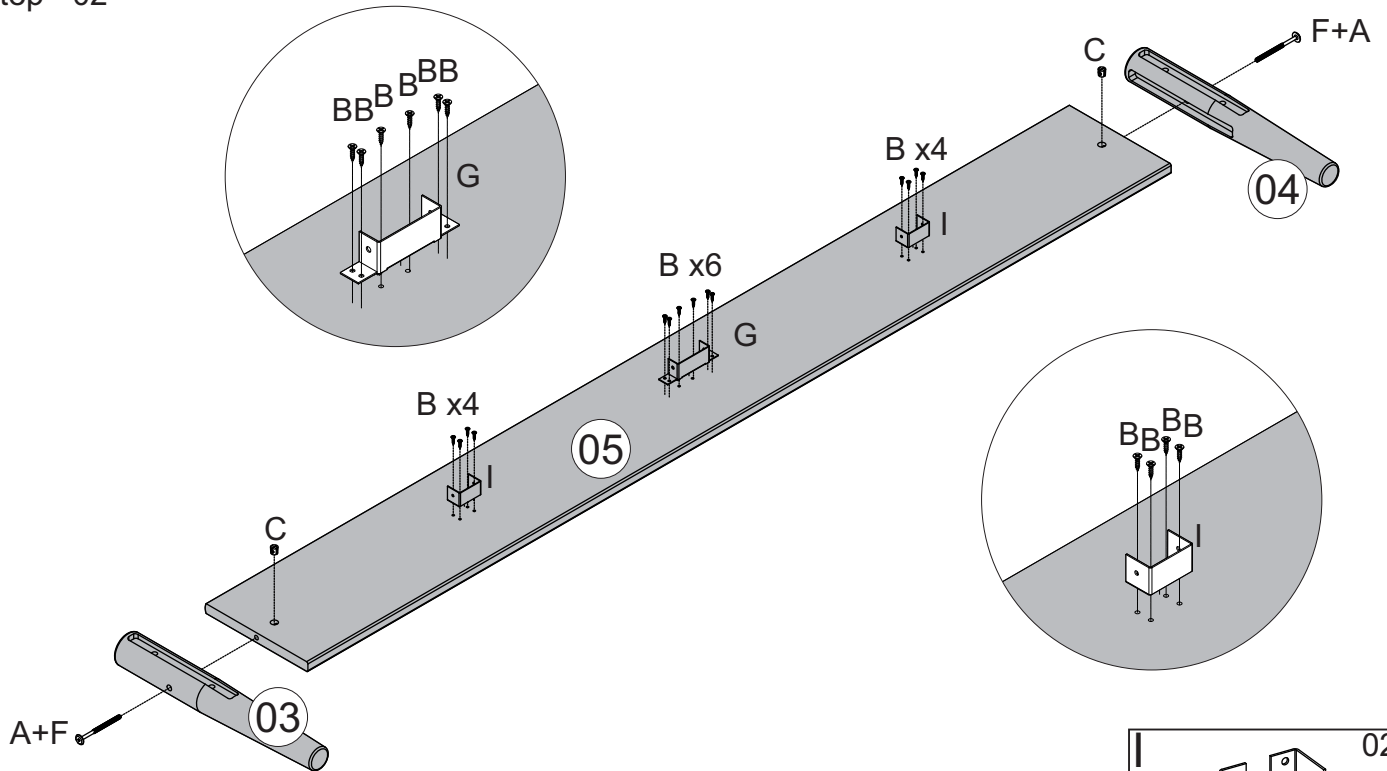


Step - 01

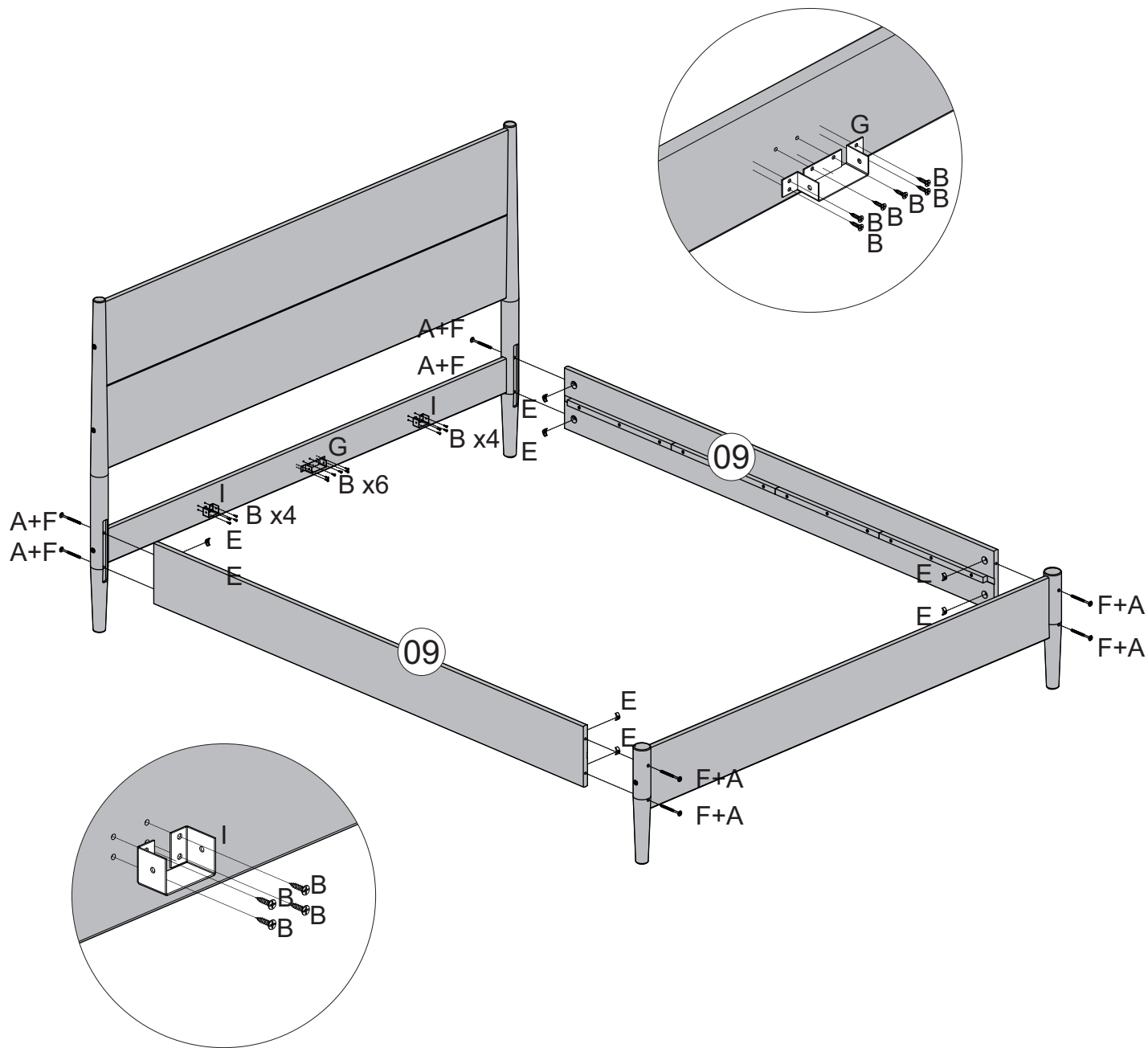


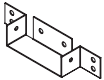
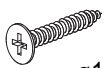
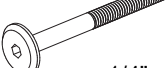


<b>F</b>	06x	<b>A</b>	01x	<b>C</b>	06x
	$\varnothing 1/4" \times 3 \ 9/16"$				$\varnothing 1/4" \times 1/2"$

Step - 02

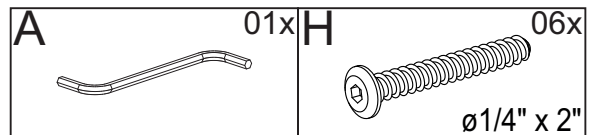
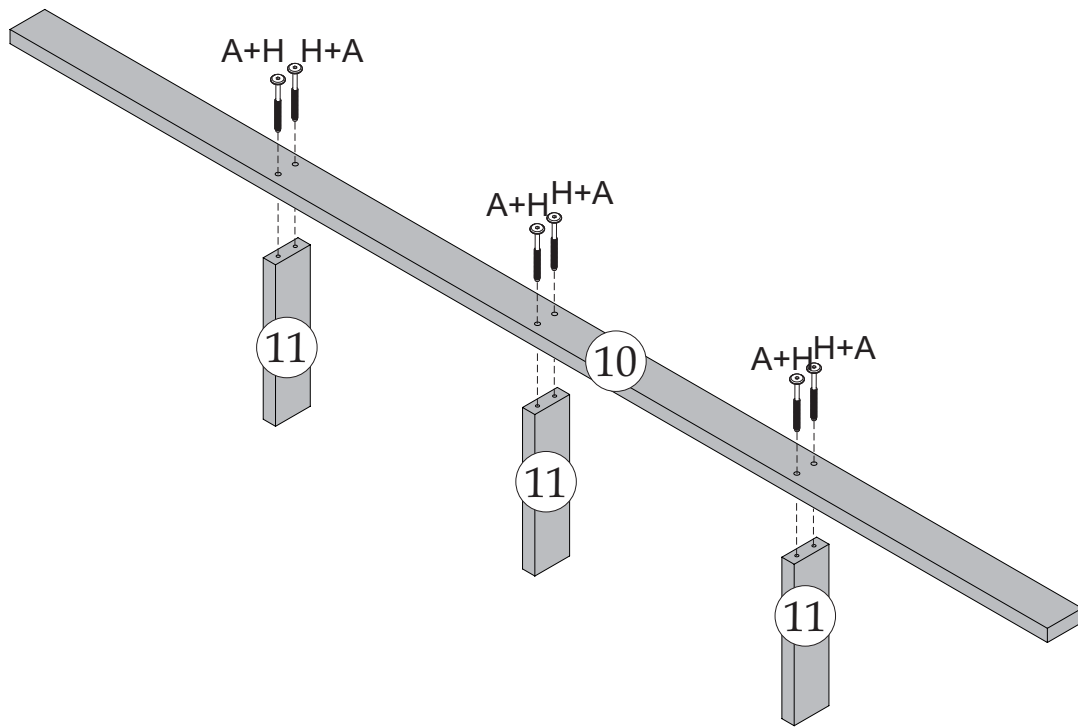


<b>G</b>	01x	<b>B</b>	14x	<b>F</b>	02x	<b>A</b>	01x	<b>C</b>	02x
			$\varnothing 1/8" \times 5/8"$	$\varnothing 1/4" \times 3 \ 9/16"$				$\varnothing 1/4" \times 1/2"$	

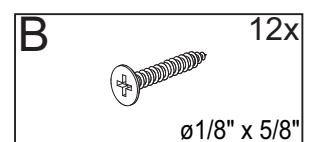
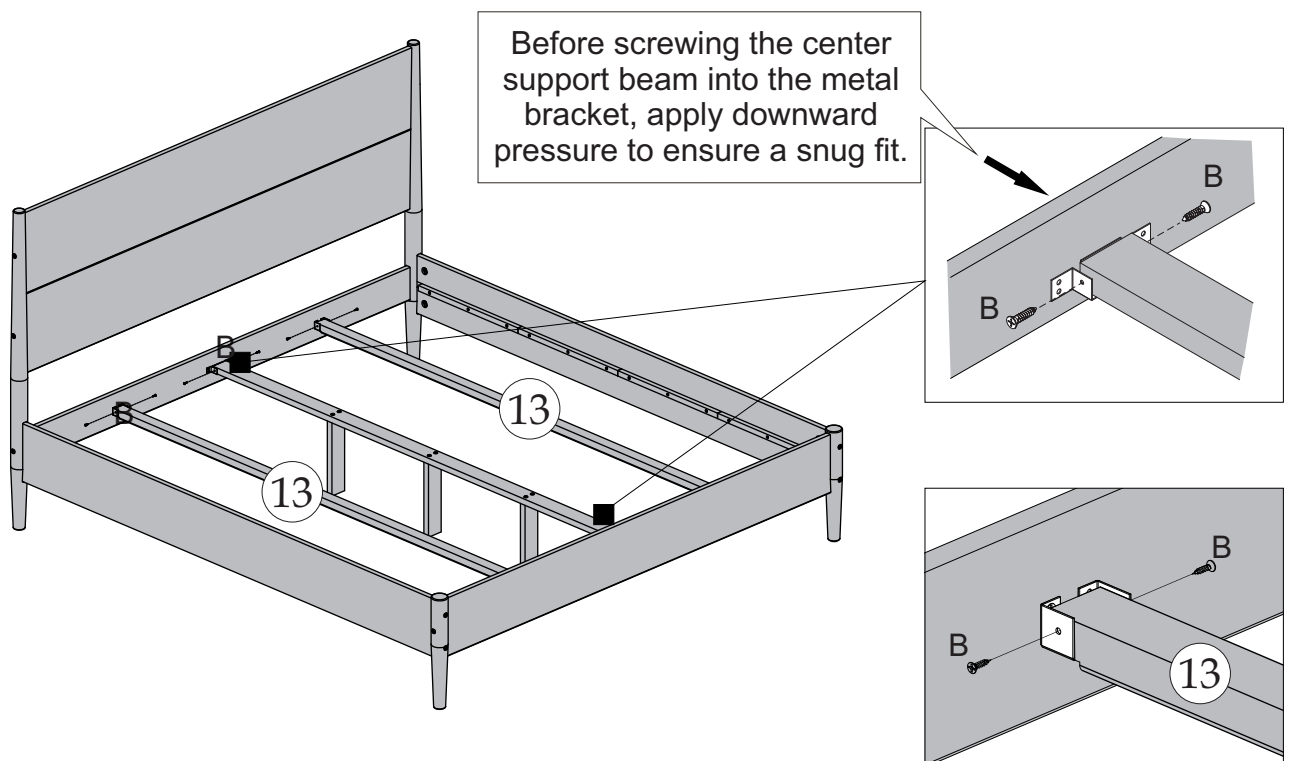


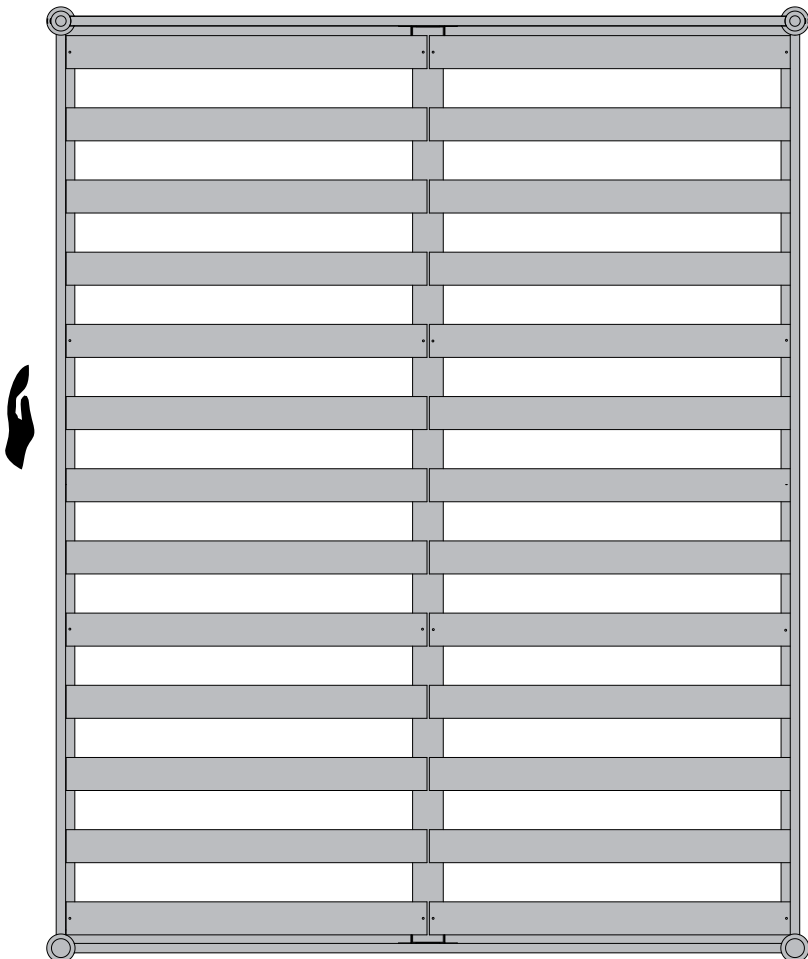
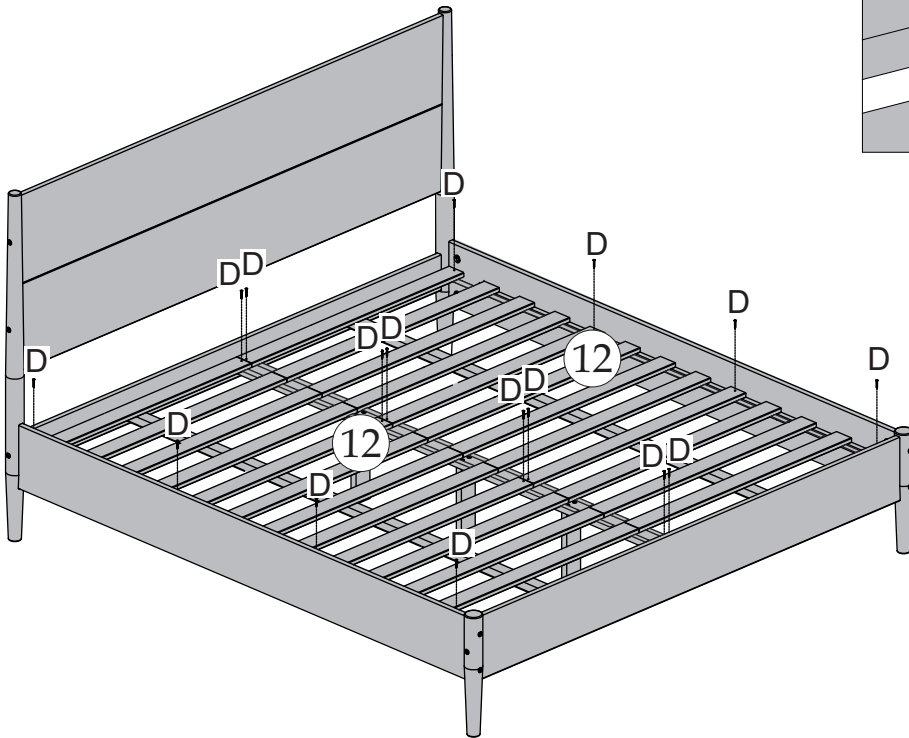
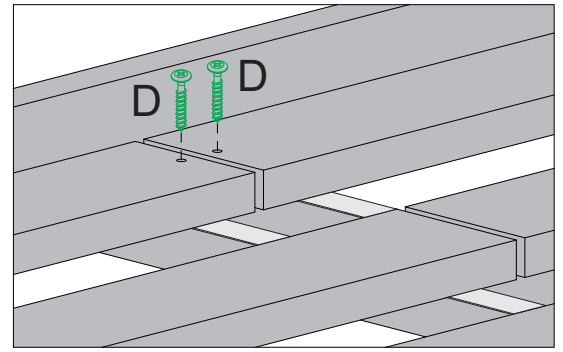
<p><b>G</b> 01x</p> 	<p><b>B</b> 14x</p>  <p>Ø1/8" x 5/8"</p>	<p><b>F</b> 08x</p>  <p>Ø1/4" x 3 9/16"</p>	<p><b>A</b> 01x</p> 	<p><b>E</b> 02x</p>  <p>08x</p>
---	---	--	--	--

Step - 04



Step - 05





Before screwing in the slats, apply pressure to the center of the bed rails (Part No. 13) to ensure that the slats (Part No. 15) fit evenly and tightly between the cross beams.

