

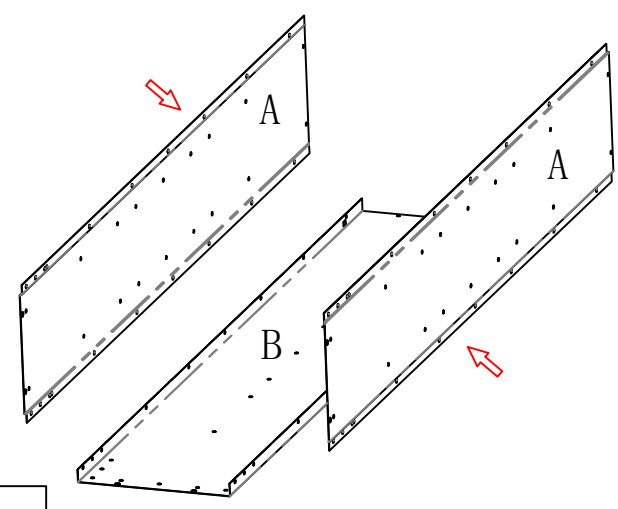


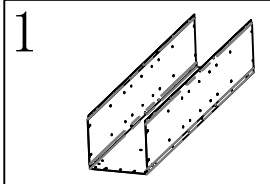
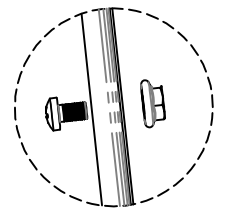


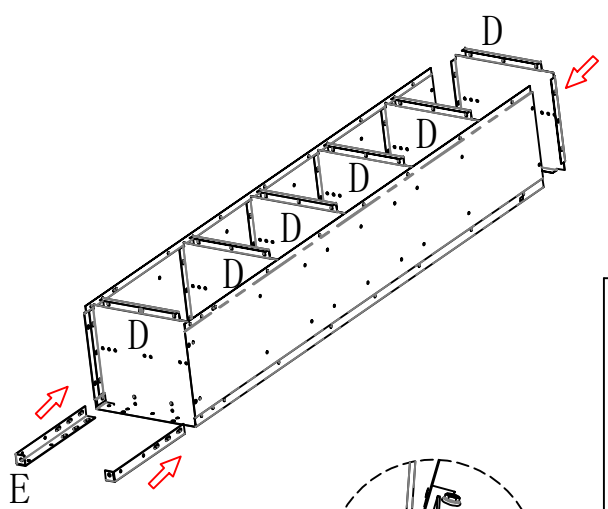
H	I
	
x80	x80





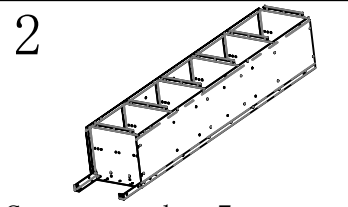
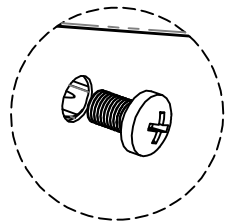
H	I
	
x12	x12



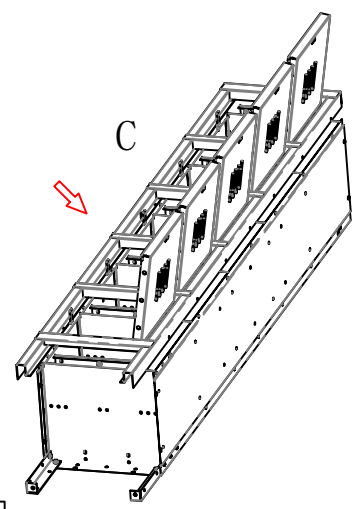
1
Connect 2 side plate A with H bolt and I nut and back plate B





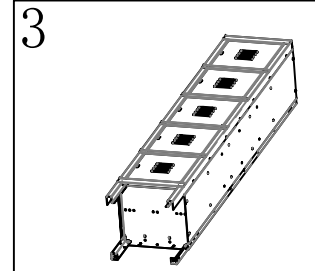
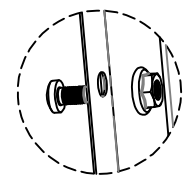
H	I
	
x54	x54



2
Connect the 5 - layer plate D with the back plate B and 2 - side plate A with H bolts and I nuts



H	I
	
x14	x14



3
Connect front frame C with H bolts and I nuts and 2 side plates A