

# SIMPLIHOME®

## Burlington / Portland / Berkshire

---

Low Storage Cabinet

Model # AXCBUR14-XXX



brooklyn + max™

WyndenHall™  
HOME DECOR

# SIMPLIHOME®

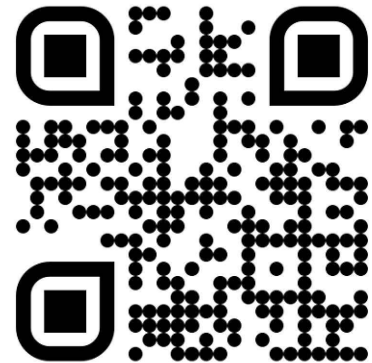
## Claim Your Free Gift

### Your opinion pays: Earn a gift!

Review your purchase and receive a gift.\* It could be a gift card, Simpli Rewards points, or another special reward.



**CLAIM YOUR REWARD NOW!**



[simpli-home.com/get-free-gift](https://simpli-home.com/get-free-gift)



*\*Offer valid for reviews posted within 30-days of purchase.*

# SIMPLIHOME®

## For Fastest Customer Service:



1. Open your phone's camera.
2. Point your phone's camera at the QR code to scan.
3. Click on the pop up.
4. You'll be taken to our customer service page.
5. Fill the form with your order information and issue.
6. Submit form.
7. A customer service associate will contact you.

### Other ways to contact us...



#### Email Us

[customerservice@simpli-home.com](mailto:customerservice@simpli-home.com)



#### Visit Us

Visit our site directly at  
[www.simpli-home.com](http://www.simpli-home.com)



#### Call Us

1-866-518-0120  
Monday to Friday  
9am to 5pm EST

**\*If you've purchased from a retailer and you wish to return the product, please contact the retailer directly.**

**IMPORTANT** : Please read this manual carefully before beginning assembly of this product. Keep this manual for future reference.

## **Safety Information**

**CAUTION:** Injuries and damage can occur from furniture tip over if product is not properly anchored to the wall. Use the Furniture Anti-Tipping Restraint provided with the product. Consult our assembly instructions for help.

If the Furniture Anti-Tipping Restraint kit is not in the box, please contact our customer service department in order to obtain another kit before using the furniture.

Identify all the parts and hardware. Do not discard of the packaging until you have checked that you have all of the parts and hardware required. Hardware package may have spare parts.

**WARNING:** This item contains small parts which can be swallowed by children and pets. Keep children and pets away during assembly. To avoid danger of suffocation, always keep plastic bags away from children and pets. We recommend that you assemble this unit on a carpeted floor to avoid scratches. If using power tools, set the tool to low torque to avoid damage.

**May require 2 people for ease of assembly.**

## Care & Maintenance

### **This furniture is designed for indoor use.**

Perhaps the greatest environmental damage to wood furniture comes from wide swings in relative humidity (RH) in our homes. Wood absorbs and desorbs water as relative humidity rises and falls, and in doing so it swells and shrinks. Making matters worse, it expands and contracts unequally along different grain directions. As humidity changes, the components of wooden objects are continually pushing and pulling against each other. This pressure often results in parts of furniture no longer fitting together closely or becoming distorted or breaking from their own internal stresses.

The response to relative humidity changes begins with determining the annual average RH for your particular space. Then try to keep the RH in the space where your furniture is as close to that average as possible, generally within about 10% up or down. De-humidify in the summer and humidify in the winter.

Be aware that raising the temperature lowers the humidity and vice versa. Thus, modern heating systems, which can drive down interior RH in the winter, almost invariably cause problems for furniture. To counteract their effect, you can either modify the RH by keeping furniture containing spaces cooler in the winter or most importantly, have a good working humidifier for your home. A humidistat automatically works to balance the humidity in your home so it is constant. Dry indoor air can suck enough moisture from its surroundings to do permanent damage to wood, causing it to crack or split.

Remember, that not all woods are created equal. Two factors that help determine how rapidly a wood will lose moisture are pore size and surface hardness. A piece made from a dense and hard wood will dry less rapidly than pieces made from softer woods.

Furniture that is sealed and lacquered will lose moisture more slowly than an unfinished piece while pieces with veneer finishes are not only stronger but lose moisture more slowly than other finishes.

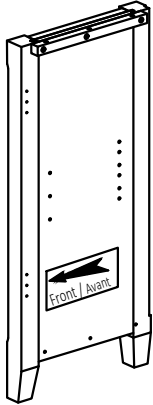
### **To help protect your wood furniture, take these steps:**

- Use a humidifier, preferably one with an automatic control system that can sense the humidity level and adjust itself accordingly
- Don't over-humidify; that can damage wood by causing it to expand and contract
- Keep furniture out of direct sunlight, which can cause it to dry out, crack and warp
- If you can avoid it, don't put furniture near heating vents; if you can't, keep the item 3 to 4 inches away from the wall, giving the heat and air space to circulate
- Dust with soft dry cloth
- Do not use liquid or aerosol products
- To avoid marking, do not place rubber on surface (foot pads, etc.)
- For soil build-up, wipe with damp cloth & dry
- Do not use abrasive cleaners

# Pre-Assembly Information

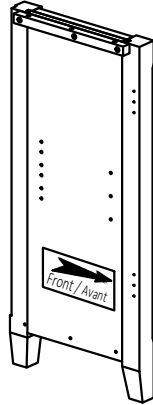
## Part Description

AL



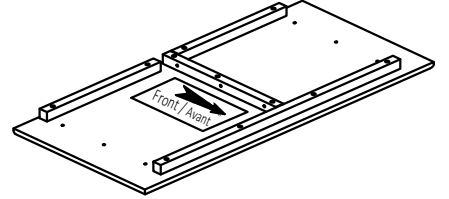
LEFT SIDE  
QTY 1

AR



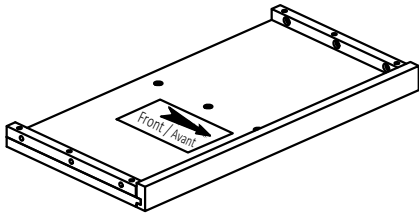
RIGHT SIDE  
QTY 1

B



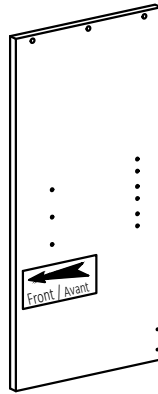
TOP  
QTY 1

C



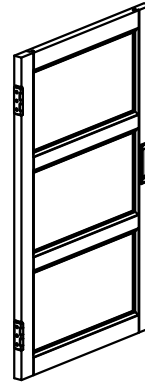
BOTTOM SHELF  
QTY 1

D



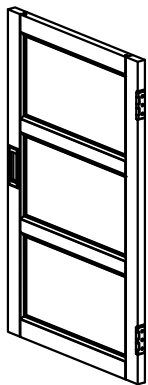
DIVIDER  
QTY 1

EL



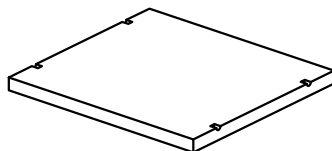
LEFT DOOR  
QTY 1

ER



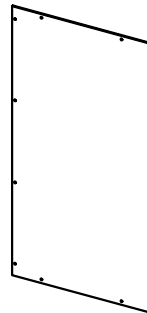
RIGHT DOOR  
QTY 1

F



CABINET SHELF  
QTY 2

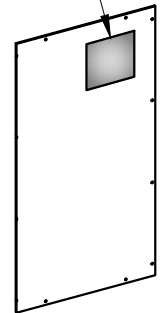
GL



LEFT BACK PANEL  
QTY 1

GR

Warning Label

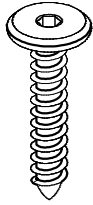


RIGHT BACK PANEL  
QTY 1

# Pre-Assembly Information

## Hardware Description

1



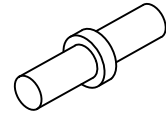
ALLEN KEY SCREW  
M6 X 30mm  
QTY 18

2



ALLEN KEY  
QTY 1

3



SHELF SUPPORT  
QTY 12

4



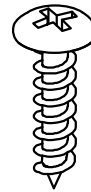
PHILLIPS SCREW  
M3 X 15mm  
QTY 12

5



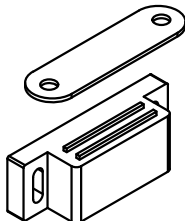
PHILLIPS SCREW  
M3 X 15mm  
QTY 8

6



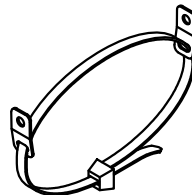
PHILLIPS SCREW  
ROUND HEAD  
M4 X 15mm  
QTY 20




7



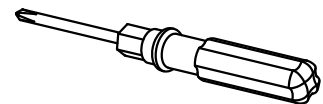
MAGNET AND PLATE  
QTY 2 SETS

8



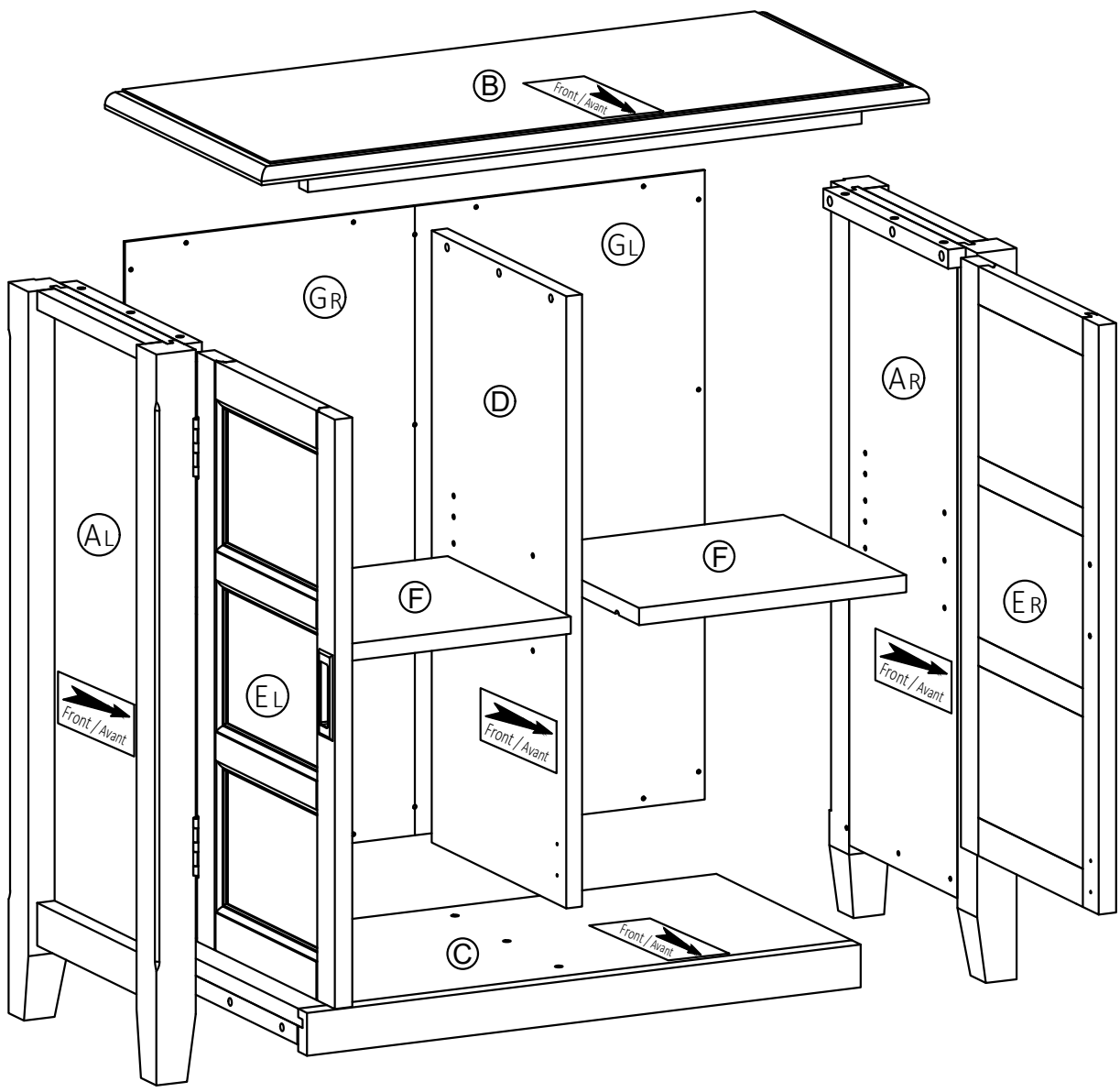
- a.  M4 X 25mm - QTY 2  
(1 is extra)
- b.  M4 X 15mm - QTY 1
- c.  M4 X 25mm - QTY 1

FURNITURE TIP OVER RESTRAINT  
QTY 1 SET



Required -  
Phillips screwdriver  
**Not Included**

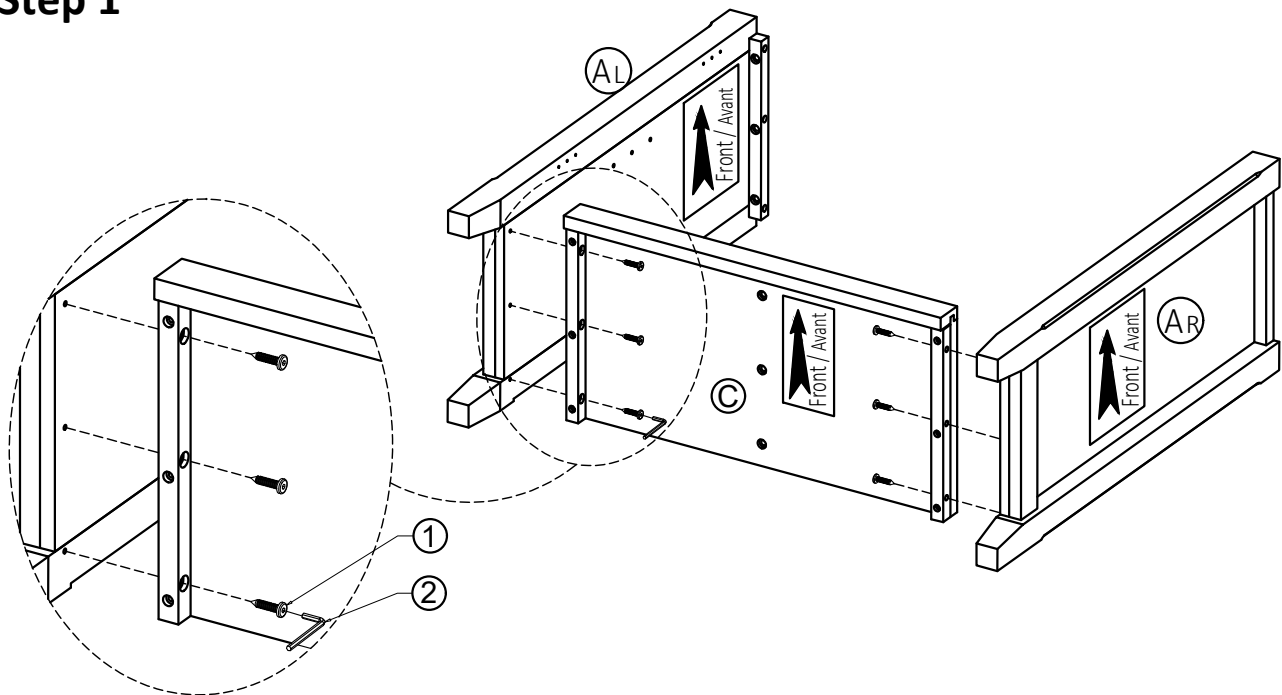
# Components - Key Diagram





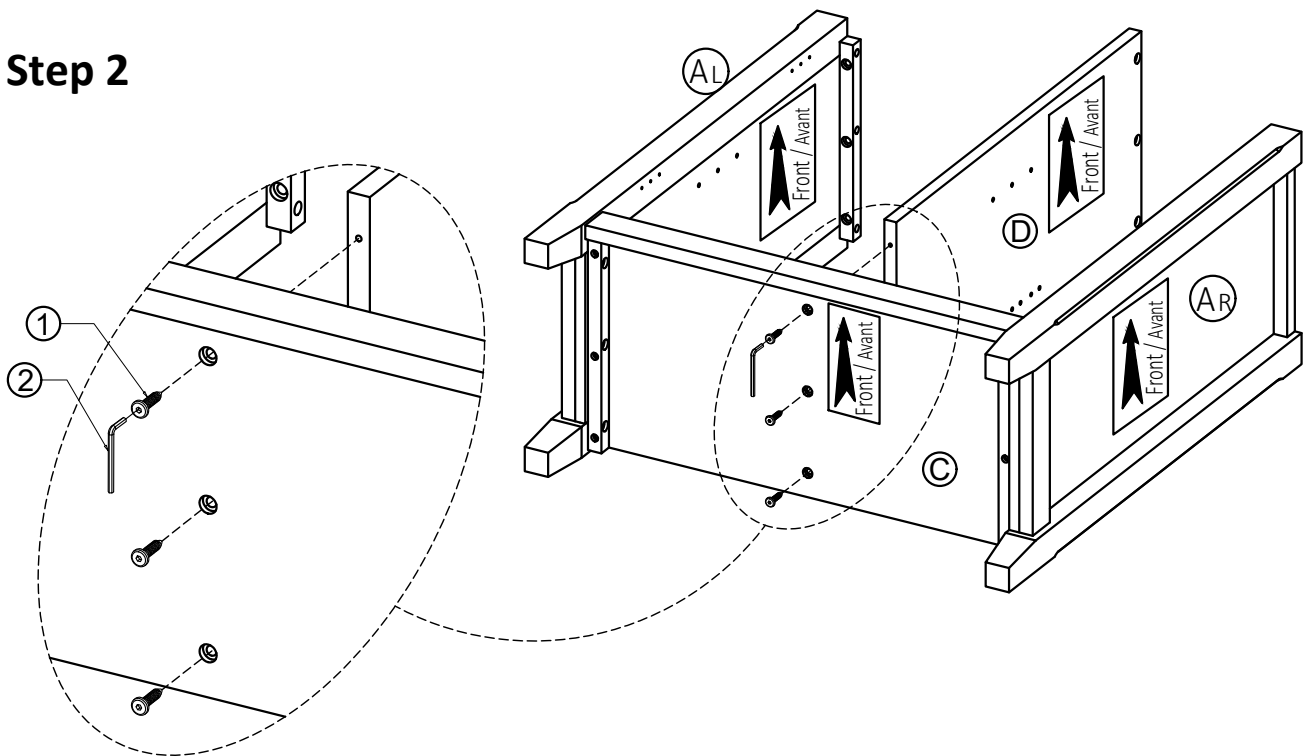
# Assembly

## Step 1



1. Attach Sides (AL), (AR) to Bottom Shelf (C) using 6 Allen Key Screws (1) (3 screws on each Side).
2. Use Allen Key (2) to tighten. Do not over-tighten.

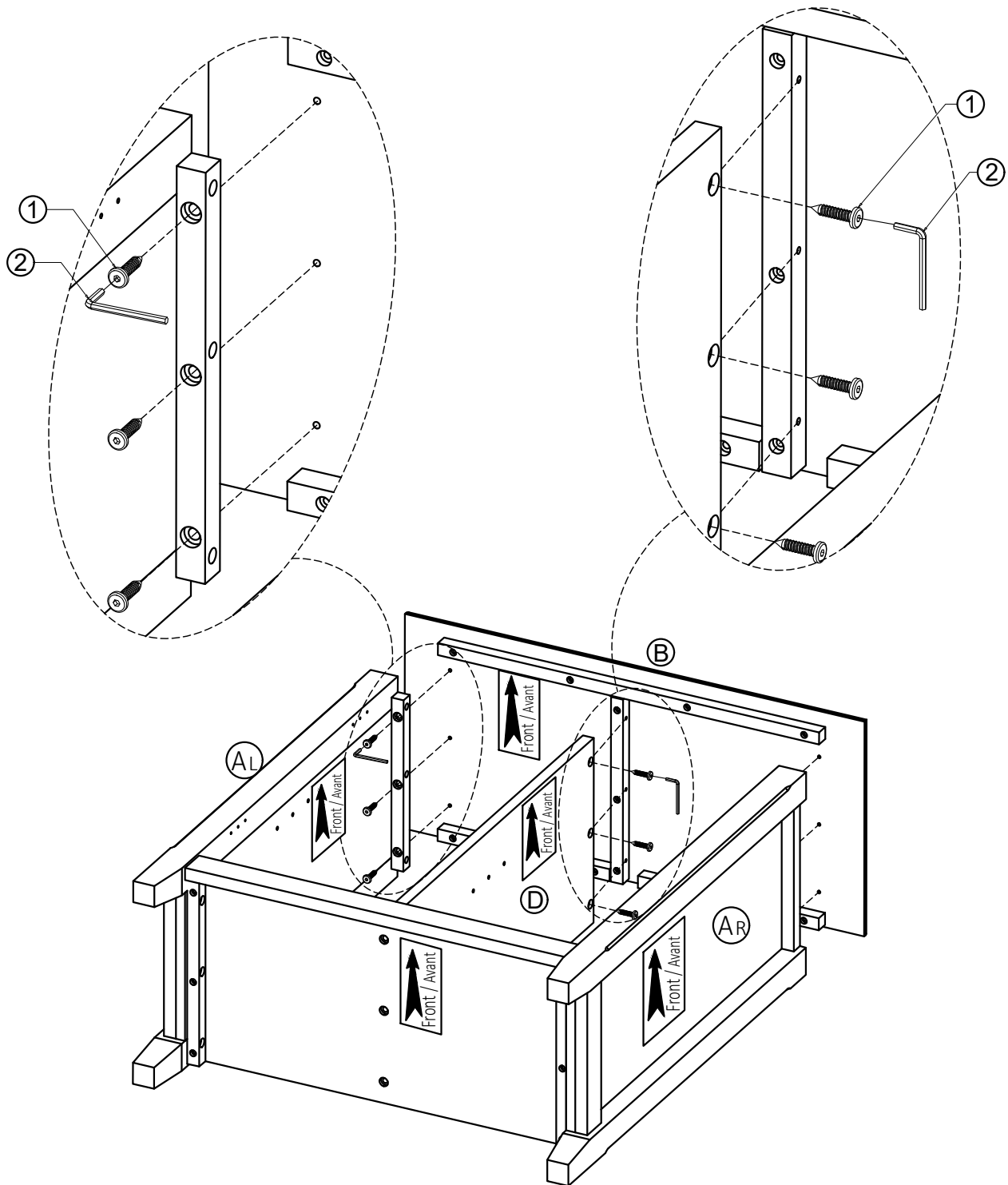
## Step 2



1. Attach Divider (D) to Bottom Shelf (C) using 3 Allen Key Screws (1).
2. Use Allen Key (2) to tighten. Do not over-tighten.

# Assembly

## Step 3

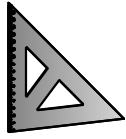


1. Attach Top (B) to Sides (AL), (AR) and Divider (D) using 9 Allen Key Screws (1) (3 Screws on each Side and Divider) .
2. Use Allen Key (2) to tighten Screws. Do not over-tighten.

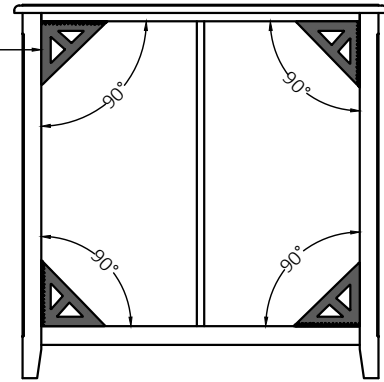
# Assembly

## Step 4

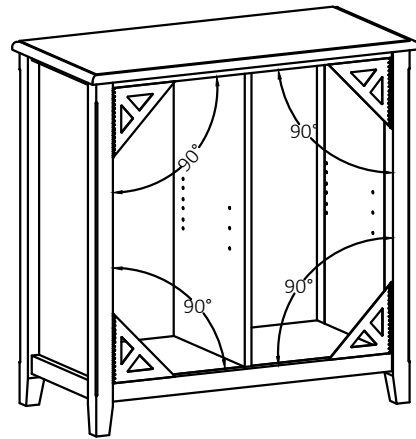
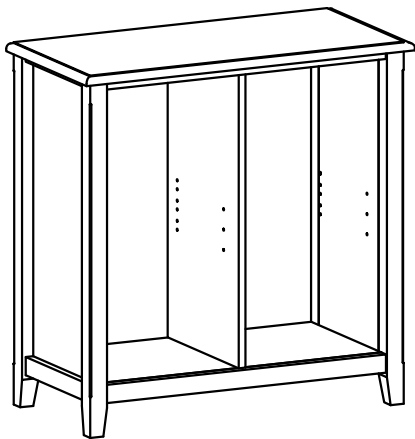
NOTE:  
The triangle ruler  
is not included in  
the hardware pack.



Triangle ruler



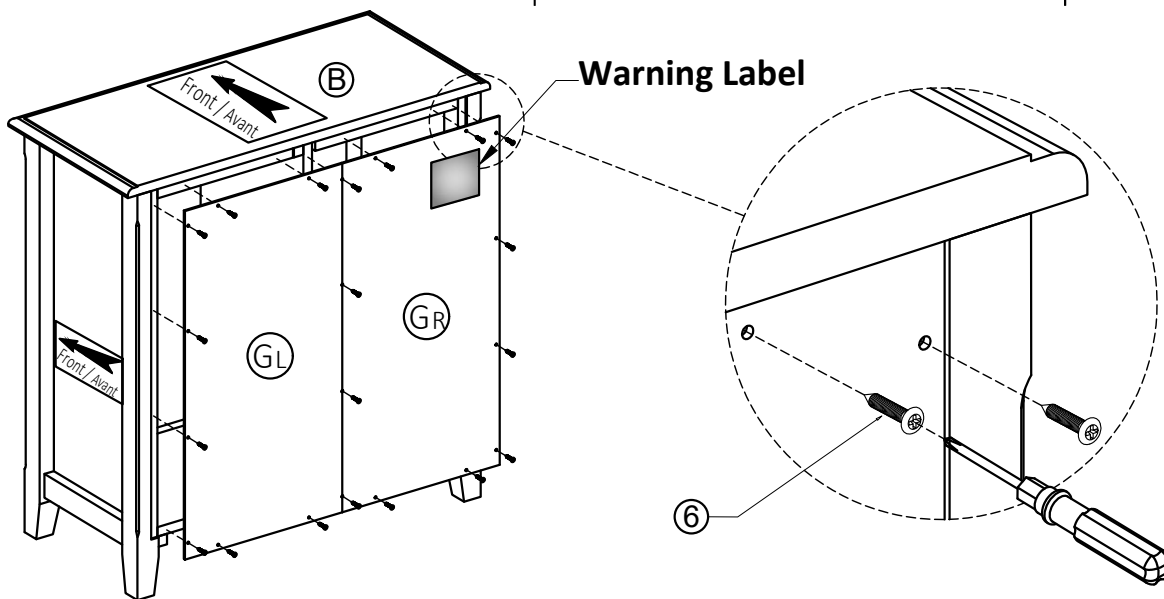
Adjust the cabinet frame before assembling the back panels.



## Step 5

Note:

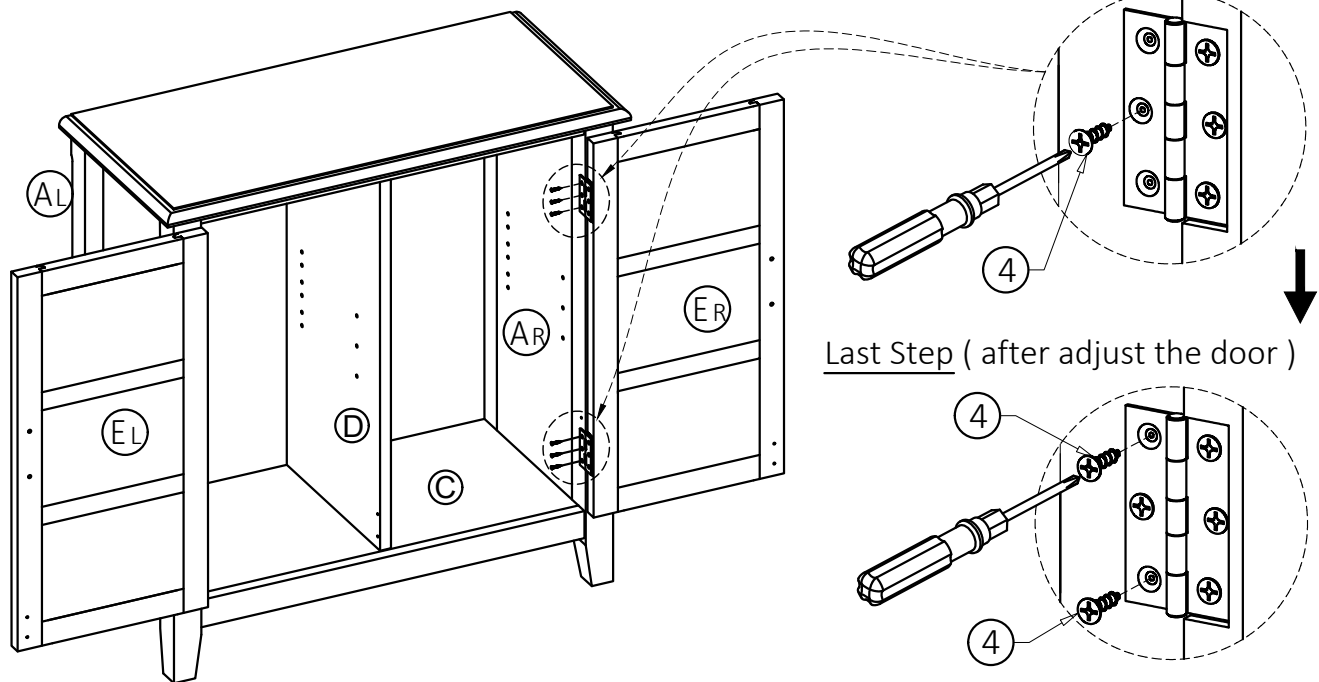
The back of the cabinet frame does not have pre-drilled holes to attach the back panels.



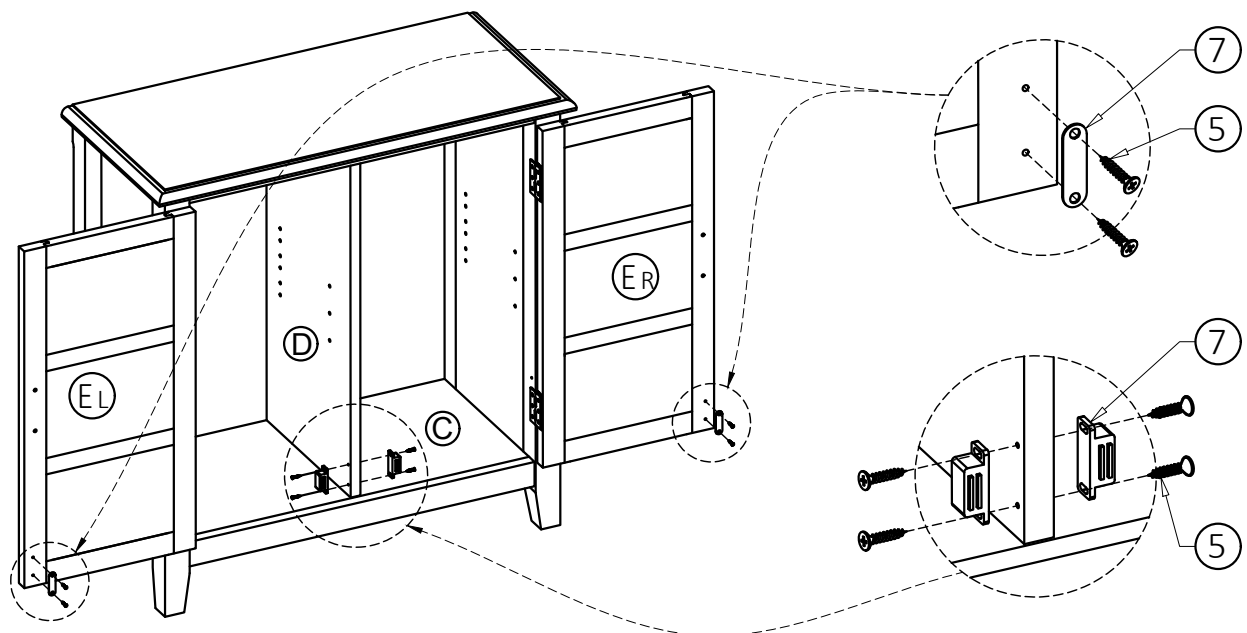
1. Attach Back Panels (GL), (GR) to back frame of cabinet using Phillips Screws Round Head (6) into guide holes.
2. Use Phillips screwdriver to tighten screw. Do not over-tighten.

# Assembly

## Step 6



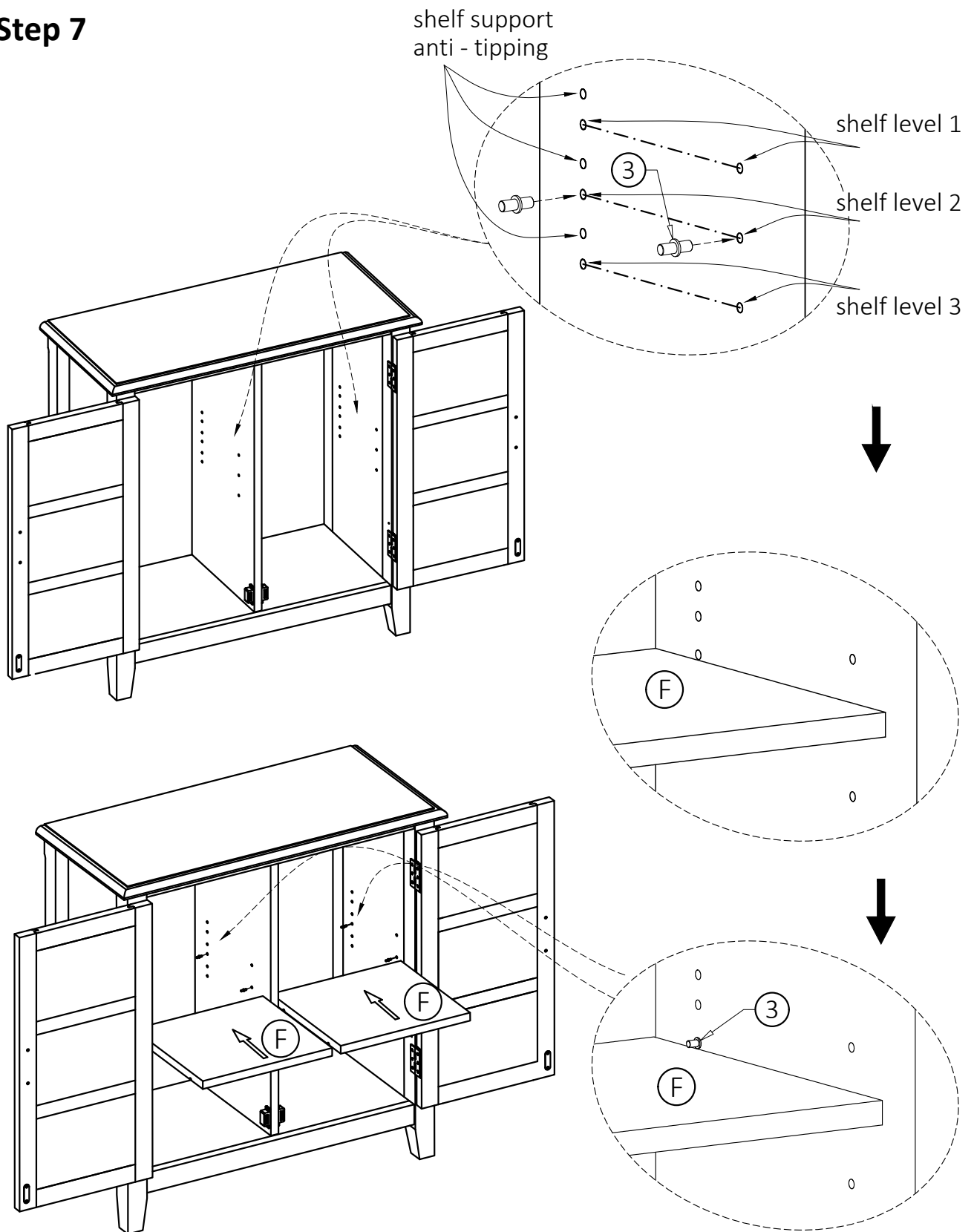
1. Attach hinges on Doors (EL), (ER) to Sides (AL), (AR) using Phillips Screws (4) into pre-drill holes:
  - **Using Phillips screwdriver to attach Screws (4) at middle hole of hinges for both top & bottom hinges.**
  - Adjust the door to ensure they are aligned straight & square with bottom shelf & side.
  - Using Phillips screwdriver to tighten the rest of screws (4) into pre-drill holes (top & bottom holes on hinges).



2. Attach Magnet Plates (7) to bottom corner of Doors (EL), (ER) using Phillips Screws (5) into pre-drilled holes on Doors (EL), (ER).
3. Attach Magnets (7) using Phillips Screws (5) into pre-drilled holes on Divider (D).
4. Use a Phillips screwdriver to snugly tighten screws.

# Assembly

## Step 7

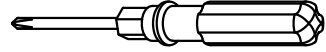


1. Use four Shelf Supports (3) for each Cabinet Shelf (F) in desired location .
2. Two Shelf Supports (3) may be used on back top of each Cabinet Shelf (F) as a tipping restraint.

## Furniture Tip Over Restraint Assembly

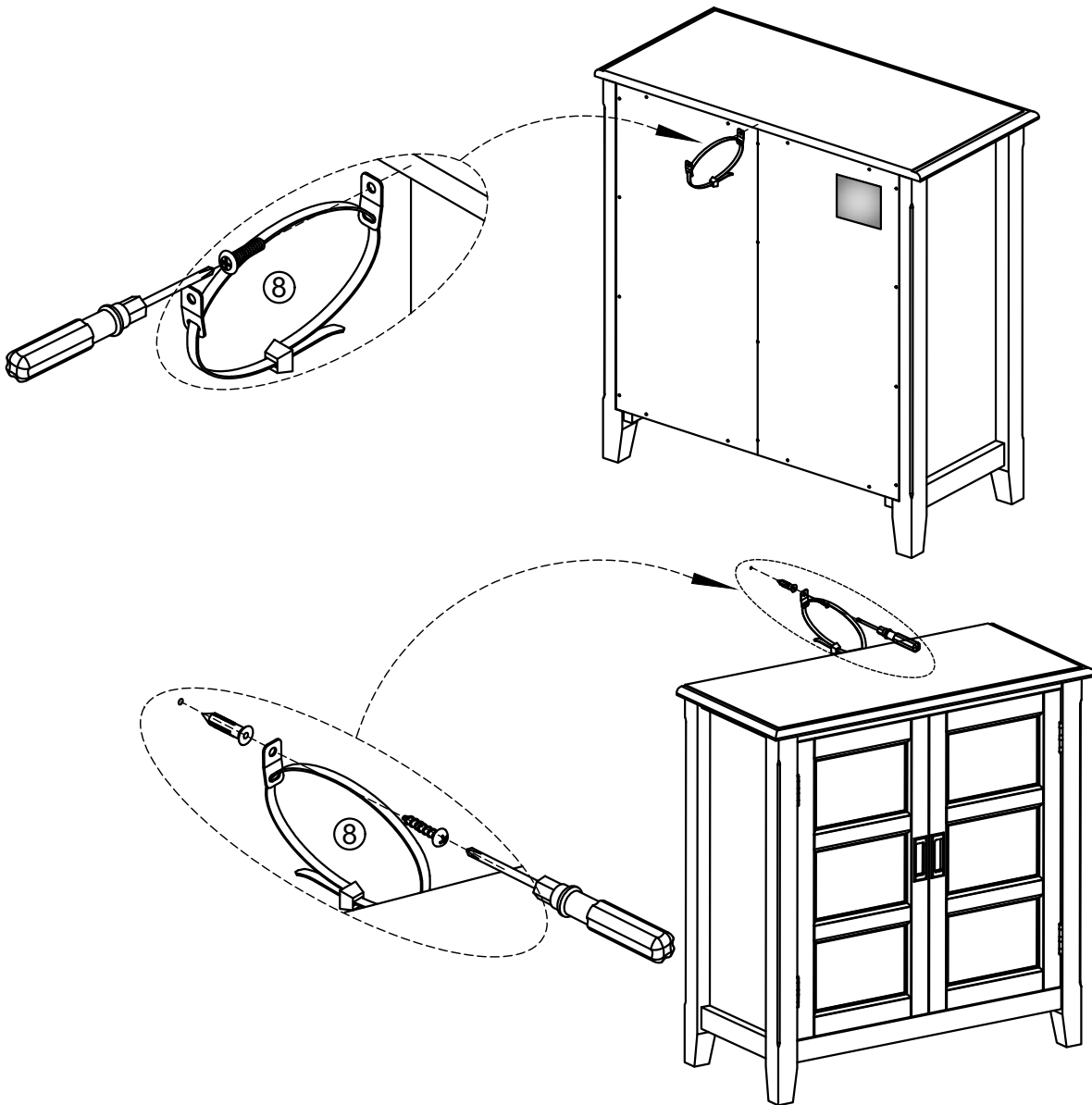
**⚠ WARNING**

Serious or fatal crushing injuries can occur from furniture tip-over. If the furniture tip over restraint kit is not in the box, please contact our customer service department in order to obtain another kit before using the furniture.



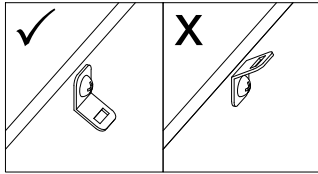
**NOTE:** The screwdriver is not included in the hardware pack.

### Step 8

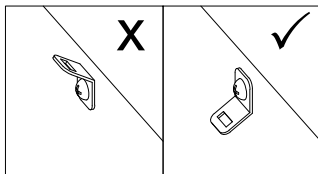


## Furniture Anti-Tipping Restraint Instructions

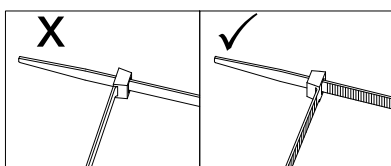
1. Attach one of the mounting brackets securely to the back edge of the furniture. Use the shorter screw.



2. Determine where furniture is to be placed and mark location on the wall for mounting bracket screw hole approximately 2 inches below the bracket mounted to the furniture.



3. Drill a 3/16 inch hole in the wall. Press the plastic anchor into the hole and gently tap until the flange on the anchor is against the wall surface.
4. Position the bracket over the anchor and use the longer screw to securely attach the bracket to the wall.
5. Place the furniture so the back edge is in line with the bracket on the wall.
6. Lace an end of the nylon zip-tie strap down through each bracket. Bring both ends together and slide the smooth side upright through the square-shaped end and pull through to create the "locked" position.
7. Check to make sure the strap is securely laced and locked to the brackets.



- **DO NOT** put a TV or other heavy objects on top of furniture not intended for use with a TV
- **DO NOT** place heavy objects in top drawers or on top shelves
- **DO NOT** let children climb or hang on drawers, doors or shelves