

Assembly Instructions

WARNING!!

Furniture Tipping Risk.

Serious risk of severe or fatal crush injuries can occur from furniture tipping over if not secured.

Children like to climb on furniture and Unsecured furniture can pose a serious danger.

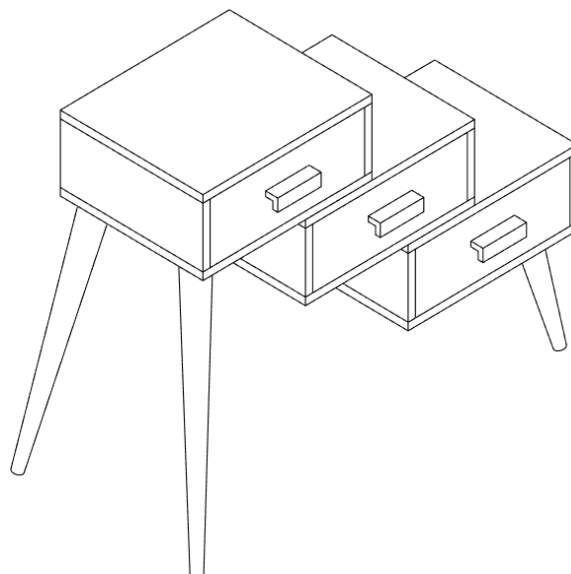
Please follow all instructions and install the tip-over restraints provided.

In addition to installing the restraints, to help prevent tip-over:

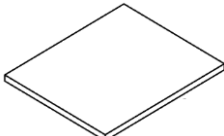
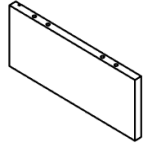
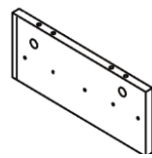
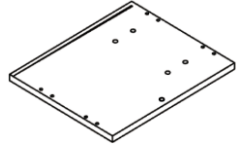
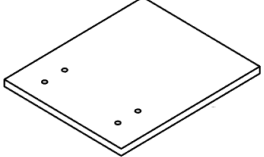
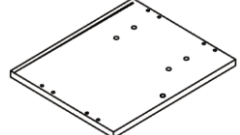
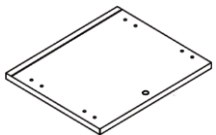
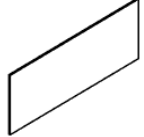


- 1. Place heaviest items in the lowest drawers;**
- 2. Unless specifically designed to accommodate, do not set TV's or other heavy objects on top of this product;**
- 3. Never allow children to climb or hang on drawers, doors, or shelves;**
- 4. Do not leave drawers open;**
- 5. Never open more than one drawer at a time;**
- 6. Do not step on the base.**

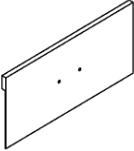
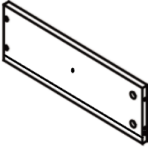
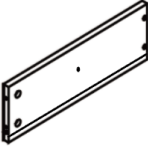
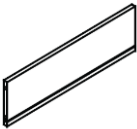
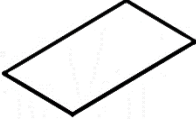
Caution : You must read this before you proceed

3 Drawer Stair Cabinet




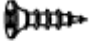
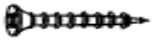






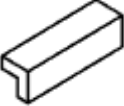






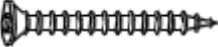



Parts List

Label	Picture	Description	QTY
A		Upper Top Panel	1
B		Left Side Panel	3
C		Right Side Panel	3
D		Upper Bottom Panel	1
E		Lower Top Panel	2
F		Middle Bottom Panel	1
G		Lower Bottom Panel	1
H		Back Panel	3
I		Right Leg	2
J		Left Leg	2

K		Drawer Front Panel	3
L		Drawer Left Side Panel	3
M		Drawer Right Side Panel	3
N		Drawer Back Panel	3
O		Drawer Base Panel	3

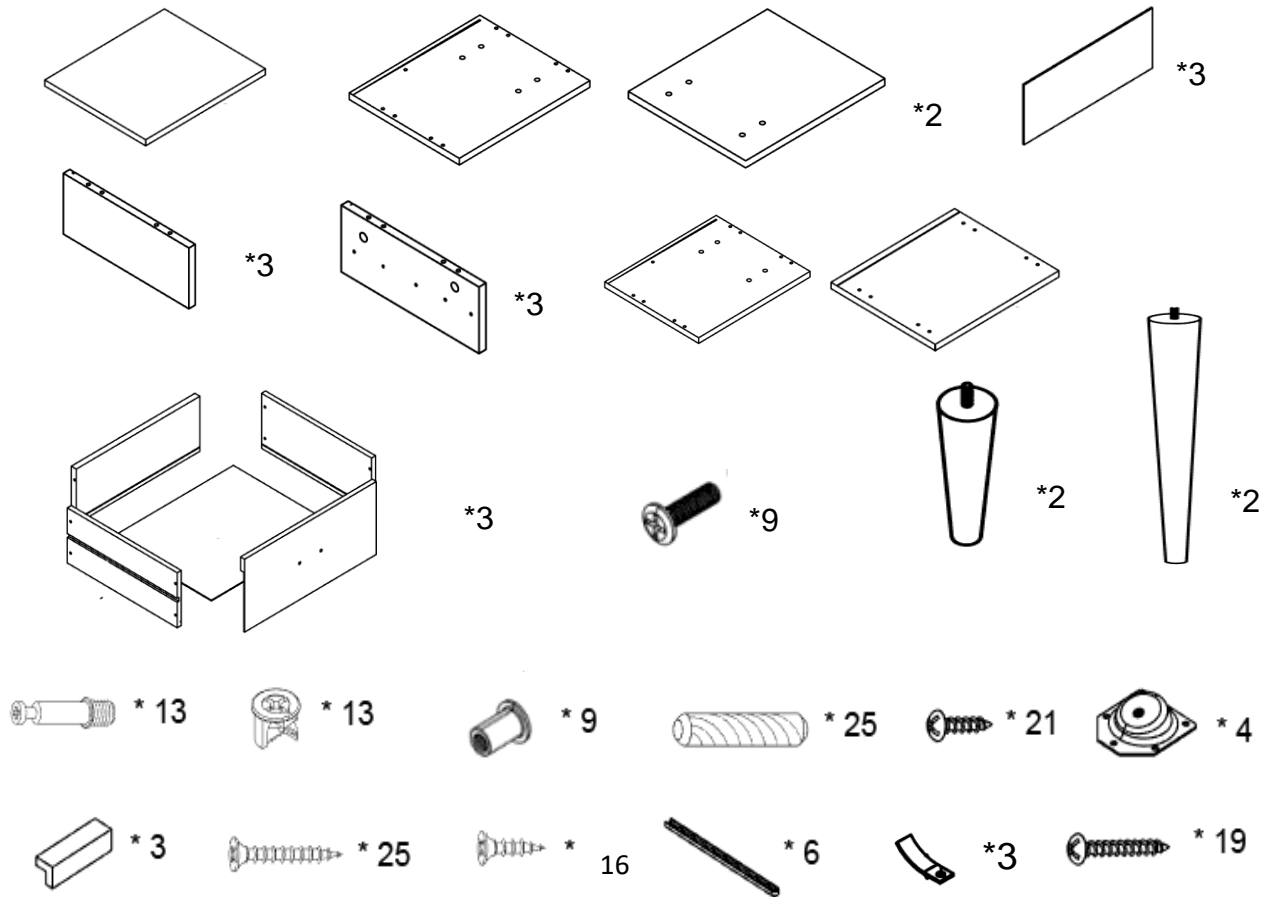
Hardware

Label	Picture	Description	QTY
①		Cam Bolt	13
②		Dowel (M6x30mm)	25
③		Cam Nut	13
④		Screw (M3x12mm)	16
⑤		Screw (M3x25mm)	25
⑥		Screw (M4x12mm)	21
⑦		Screw (M4x25mm)	19

⑧		Metal Plate	4
⑨		Drawer Slide	6
⑩		Handle	3
⑪		Nut	9
⑫		Bolt	9
⑬		Screwdriver(Not provided)	1
⑭		Drawer Stopper	3
Restraint Device Hardware			
⑮		Wall Anchor	1
⑯		Screw	2
⑰		Screw	2
⑱		Hammer(Not Provided)	1
⑲		Power Drill(Not Provided)	1
⑳		Restraint Strap	1

Assembly Preparation

Before Beginning Assembly:



- Read instructions, cover to cover-



- Have 2 adults on hand for assembly-



- Do not assemble on flooring or carpet-



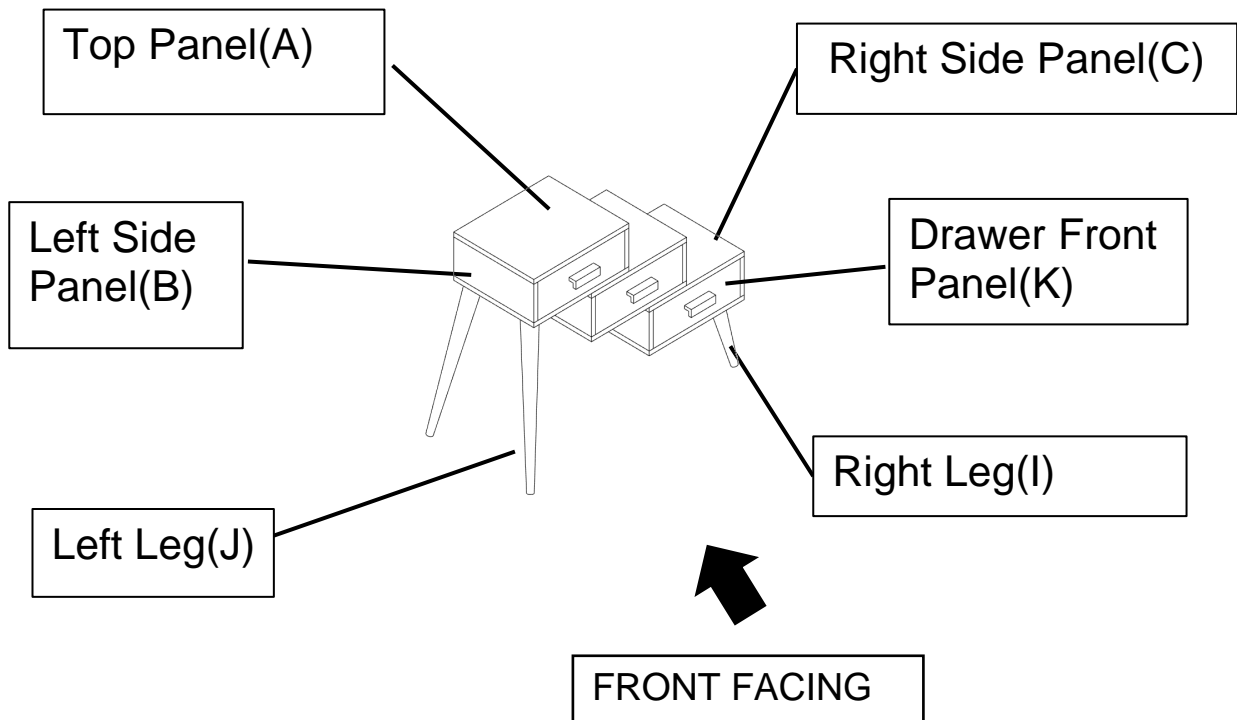
- Assemble on a clean non-marring surface (packing foam)-



- Save all packaging until finished-

Assembly Steps

Overview

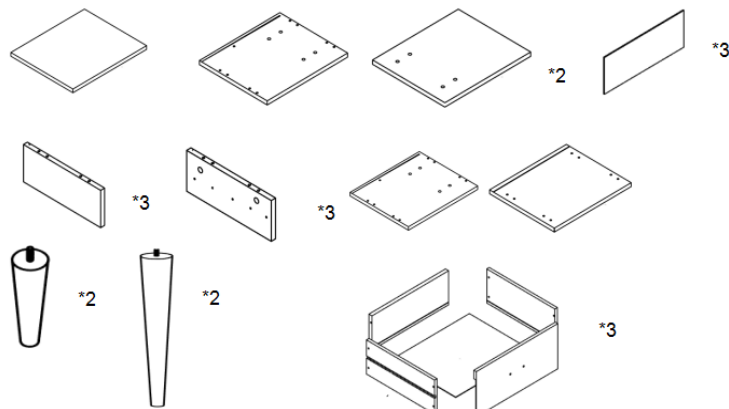


This Cabinet has multiple parts and may require up to 30 minutes to assemble.

To give you an overview of the Cabinet parts, the above picture is to help you put the various parts into perspective.

Please read through the instructions below to familiarise yourself with the parts and steps before assembly.

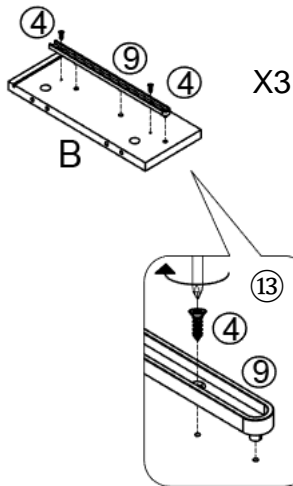
Step 1



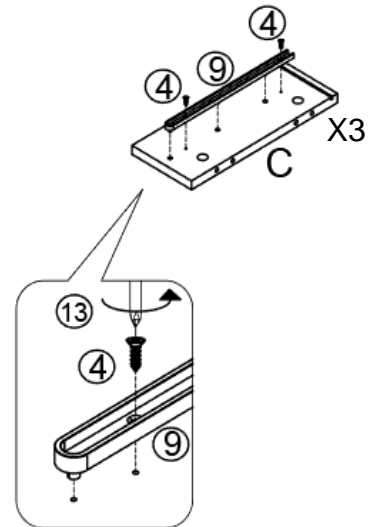
Unpack and place all parts on a clean, non-marring surface.

Step 2

2.1



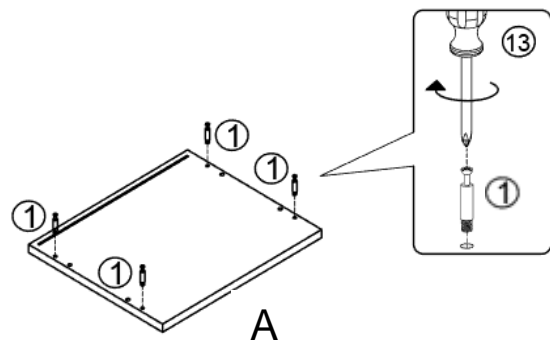
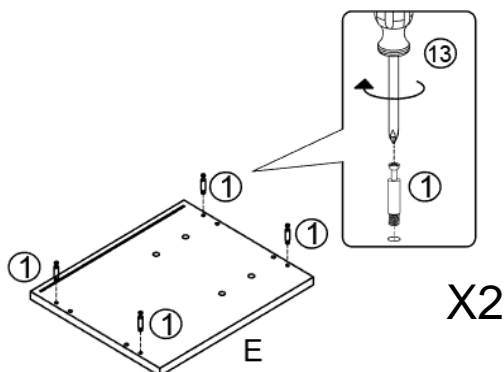
2.2



2.1) Attach three Drawer Slide(9) to the Left Side Panel(B) using Screw(4) with Screwdriver(13).

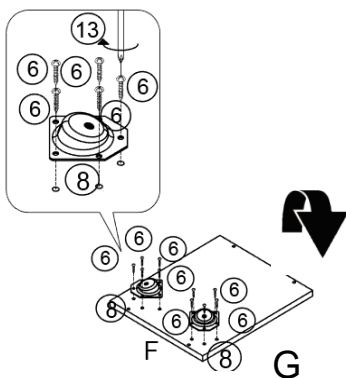
2.2) Attach three Drawer Slide(9) to the Right Side Panel(C) using Screw(4) with Screwdriver(13).

Step 3

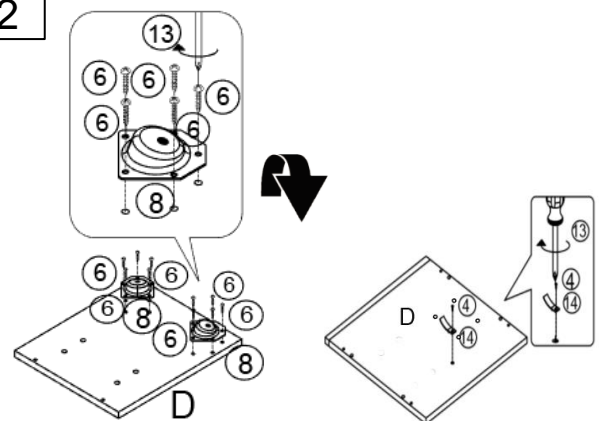


Insert Cam Bolt(1) into the mounting positions on Lower Top Panel(E) and Upper Top Panel(A) using Screwdriver(13).

4.1



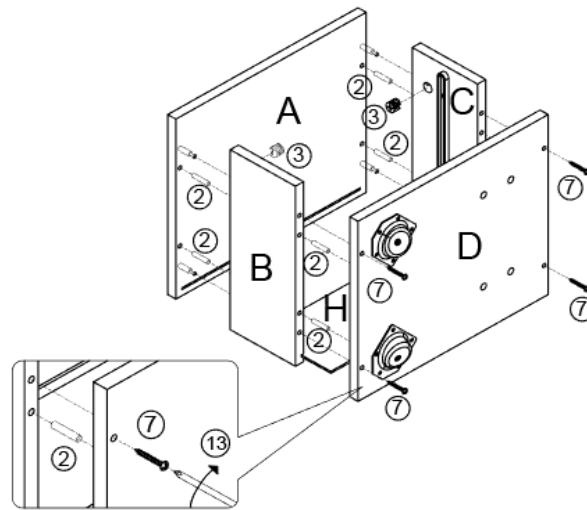
4.2



4.1) Attach Metal Plate(⑧) to the Lower Bottom Panel(G) using Screw(⑥) with Screwdriver(⑬) as shown. Turn Lower Bottom Panel(G) over, Attach Drawer Stopper(⑭) to the Lower Bottom Panel(G) using Screw(④) with Screwdriver(⑬).

4.2) Attach Metal Plate(⑧) to the Upper Bottom Panel(D) using Screw(⑥) with Screwdriver(⑬) as shown. Turn Upper Bottom Panel(D) over, Attach Drawer Stopper(⑭) to the Upper Bottom Panel(D) using Screw(④) with Screwdriver(⑬).

Step 5

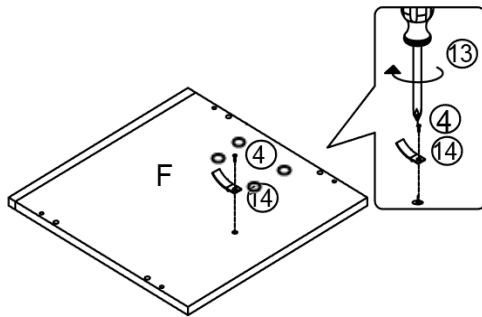


Insert Dowel(②) into the mounting positions on Left Side Panel(B) and Right Side Panel(C), attach Left Side Panel(B) and Right Side Panel(C) to the Top Panel(A), insert Cam Nut(③) into the mounting positions on Left Side Panel(B) and Right Side Panel(C) locked by Screwdriver(⑬).

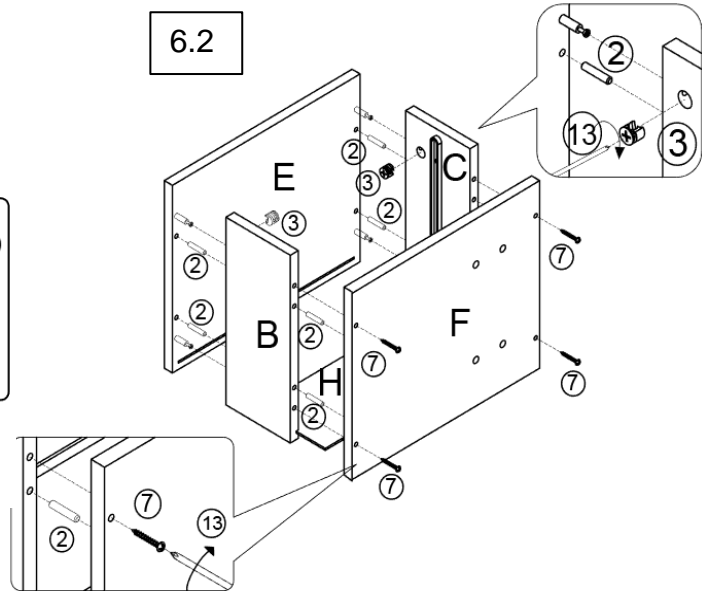
Insert Back Panel(H) into the grooves on Left Side Panel(B) and Right Side Panel(C), then attach Upper Bottom Panel(D) to the Left Side Panel(B) and Right Side Panel(C) using Screw(⑦) with Screwdriver(⑬).

Step 6

6.1



6.2

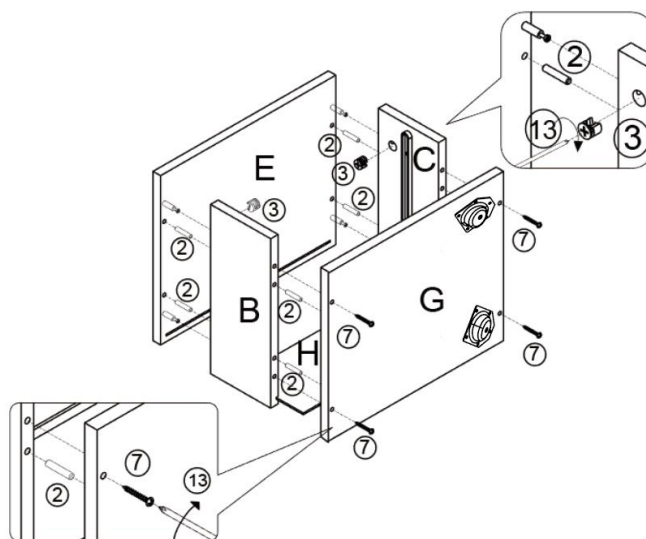


6.1) Attach Drawer Stopper(14) to the Middle Bottom Panel(F) using Screw(4) with Screwdriver(13).

6.2) Insert Dowel(2) to the mounting positions on Left Side Panel(B) and Right Side Panel(C), attach Left Side Panel(B) and Right Side Panel(C) to the Lower Top Panel(E), insert Cam Nut(3) into the mounting positions on Left Side Panel(B) and Right Side Panel(C) locked by Screwdriver(13).

Insert Back Panel(H) into the grooves on Left Side Panel(B) and Right Side Panel(C). Then attach Middle Bottom Panel(F) to the Left Side Panel(B) and Right Side Panel(C) using Screw(7) with Screwdriver(13).

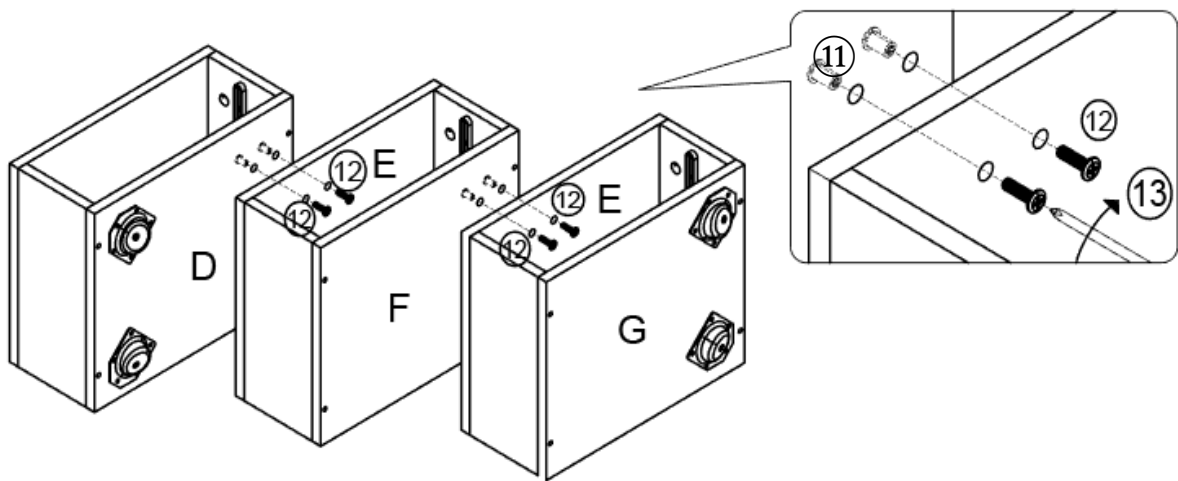
Step 7



Insert Dowel(②) to the mounting positions on Left Side Panel(B) and Right Side Panel(C). Attach Left Side Panel(B) and Right Side Panel(C) to the Lower Top Panel(E), insert Cam Nut(③) into the mounting positions on Left Side Panel(B) and Right Side Panel(C) locked by Screwdriver(⑬).

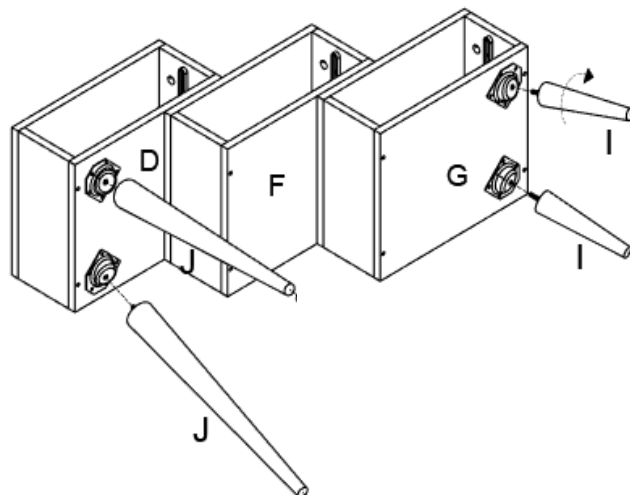
Insert Back Panel(H) into the grooves on Left Side Panel(B) and Right Side Panel(C). Then attach Lower Bottom Panel(G) to the Left Side Panel(B) and Right Side Panel(C) using Screw(⑦) with Screwdriver(⑬).

Step 8



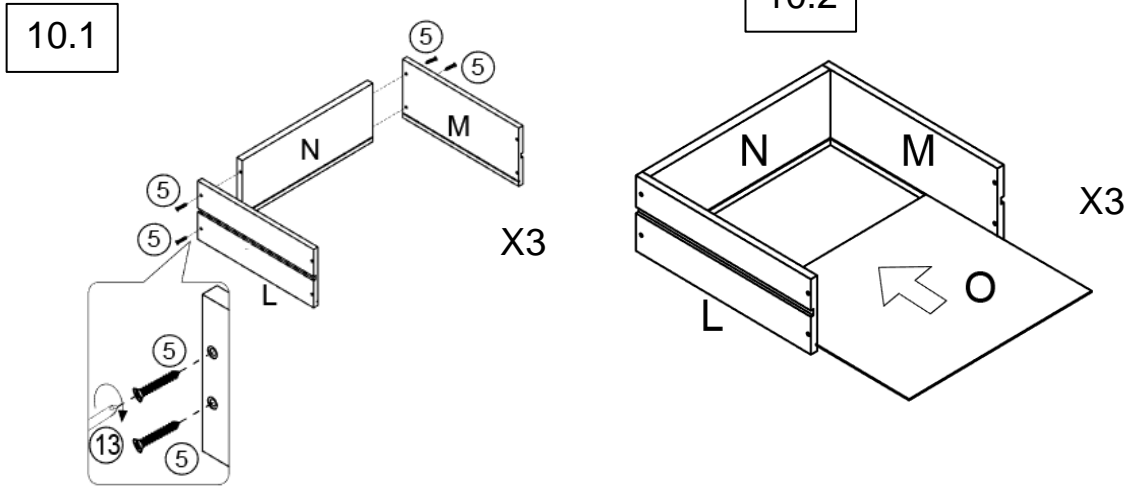
Attach Bolt(⑫) and Nut(⑪) to the Upper Bottom Panel(D), Lower Top Panel(E) and Middle Bottom Panel(F) using Screwdriver(⑬).

Step 9



Attach two Left Leg(J) to the Upper Bottom Panel(D), then shift them tightly by hands. Attach two Right Leg(I) to the Lower Bottom Panel(G), then shift them tightly by hands.

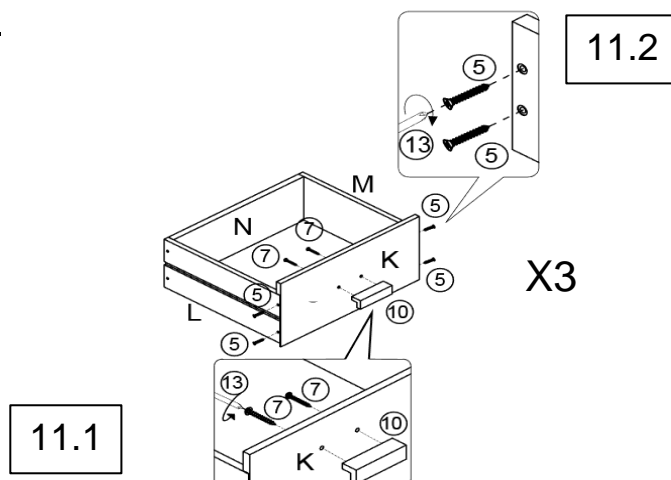
Step 10



10.1) Attach Drawer Left Side Panel(L) and Drawer Right Side Panel(M) to the Drawer Back Panel(N) using Screw(5) with Screwdriver(13).

10.2) Insert Drawer Base Panel(O) into the grooves on Drawer Left Side Panel(L), Drawer Right Side Panel (M) and Drawer Back Panel(N).

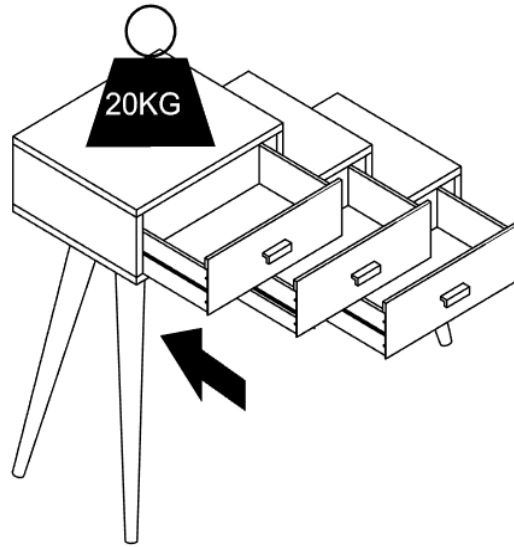
Step 11



11.1) Attach Handle(10) to the Drawer Front Panel(K) using Screw(7) with Screwdriver(13).

11.2) Attach Drawer Front Panel(K) to the Drawer Left Side Panel(L) and Drawer Right Side Panel(M) using Screw(5) with Screwdriver(13).

Step 12



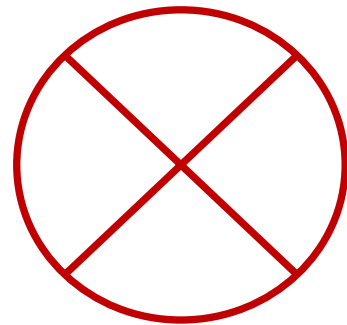
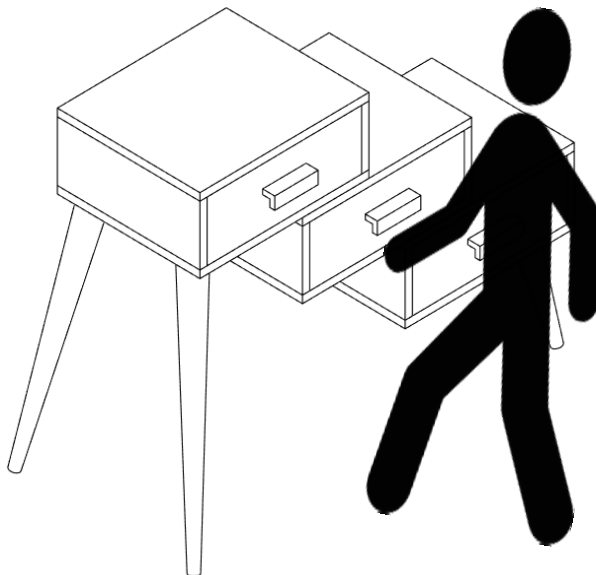
Note: the load-bearing of cabinet is 20KG.



WARNING

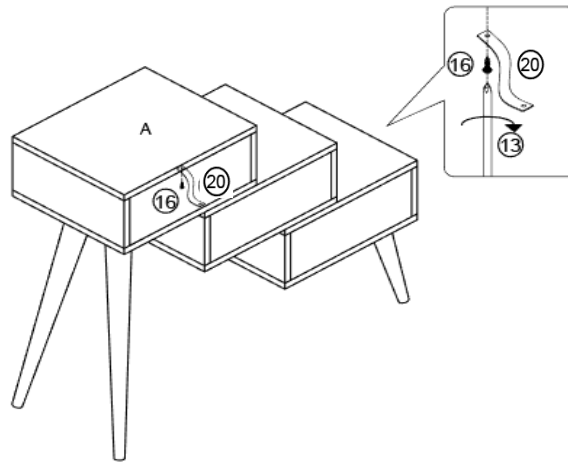
**Serious or fatal crushing injuries can occur from tipping furniture.
To help prevent tip-over: ALWAYS secure this furniture to the wall using
Cabinet Restraint Device.**

See product instructions for more ways to help prevent furniture tip-over.



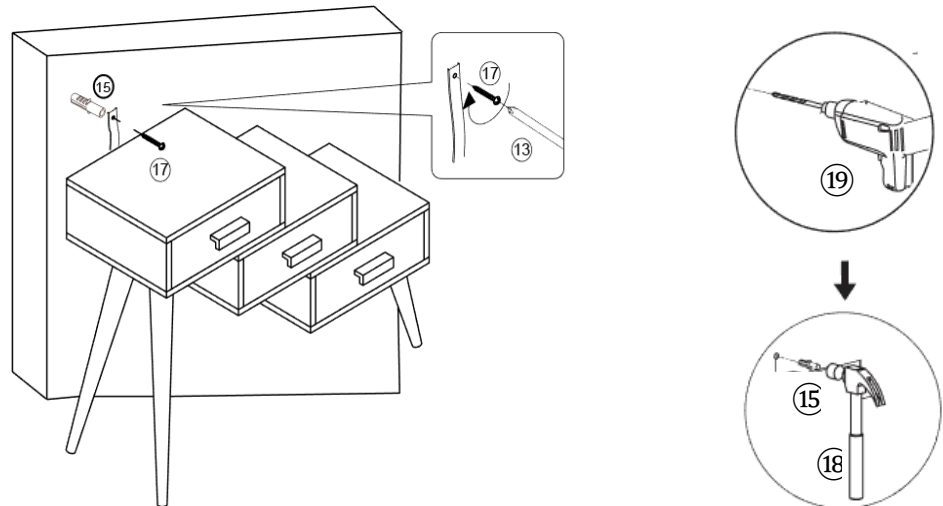
Usage For Cabinet Restraint Device:

Step 14























Attach Restraint Strap(20) to the Top Panel(A) using Screw(16) with Screwdriver(13).

Step 15



Drill one mounting position on the wall with Power Drill(19), insert Wall Anchor(15) into drilled mounting position on the wall with Hammer(18). Move the cabinet back to the wall, lock by Screw(17) with Screwdriver(13).

Care & Maintenance

-   • Do not put hot items directly on furniture surface
 -   • Do not clean furniture with harsh cleansers or polish.
 -   • Do not place furniture under direct sunlight.
 -   • Do not place furniture near heating or cooling vents.
 -   • Do not write on furniture without a padded barrier to protect the surface.
 -   • Do not place furniture outside . For indoor use only .
 -   • Not for commercial use. For residential use only .
 -   • Stains may be removed with mild soap solution and damp cloth.
 -   • Children should not climb or jump on the furniture.
-
-   • Dust and pick-up spills using a clean, non-colored, lint-free cloth .