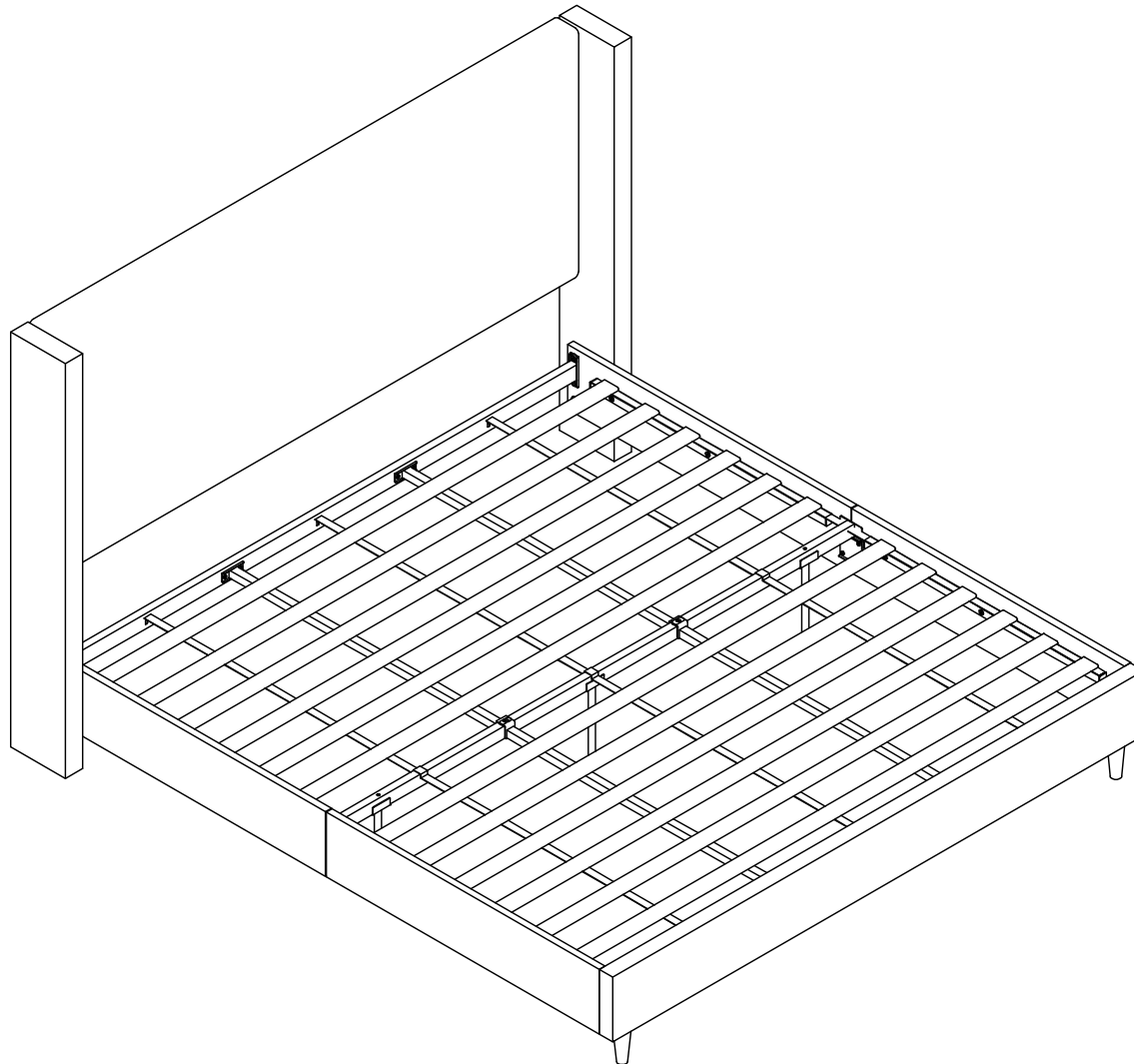


PPSTN042B706/PPSTN042B716/ PPSTN042B1026/  
PPSTN041B707/PPSTN041B717/PPSTN041B1027

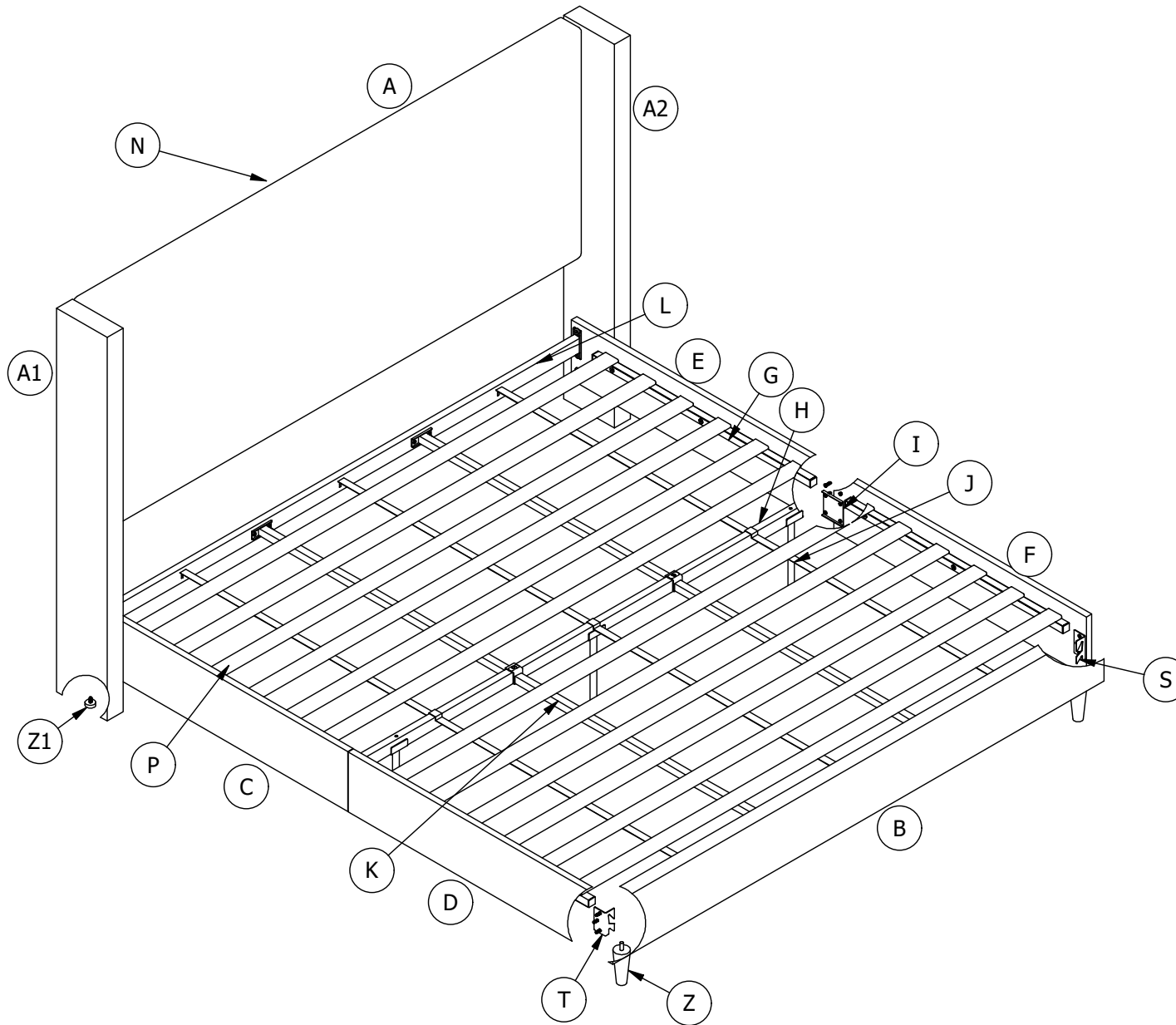
# Upholstered Bed

King/California King

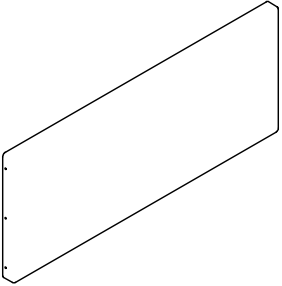
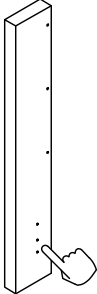
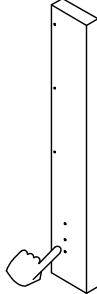
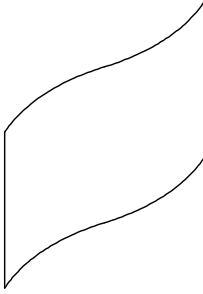
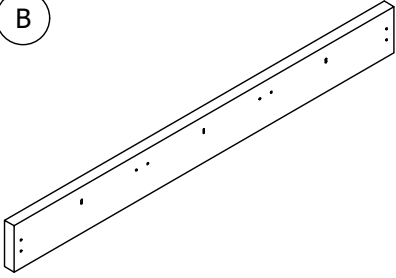
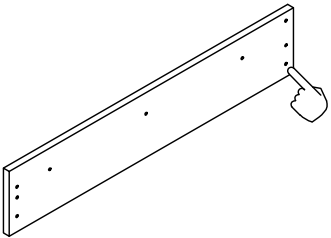
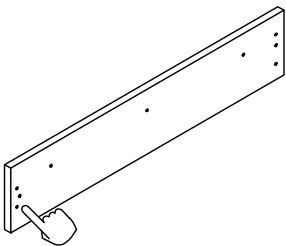
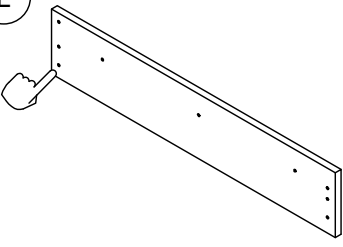
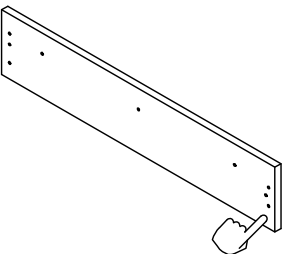
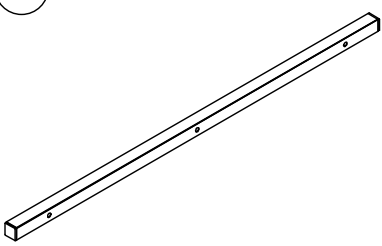
**Weight Limit:**  
Bed: 1000LBS / 454KG



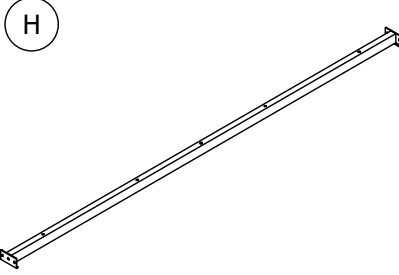
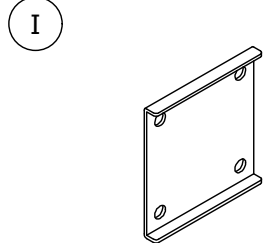
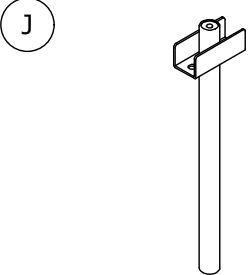
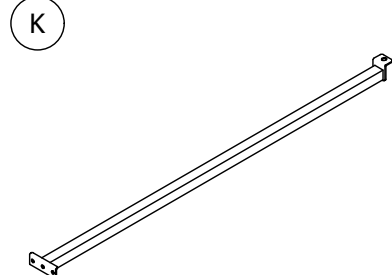
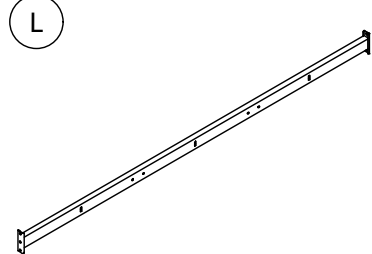
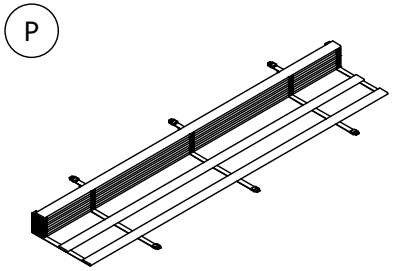
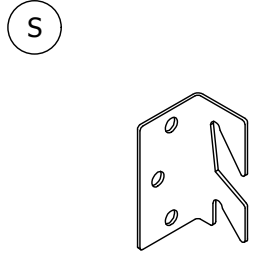
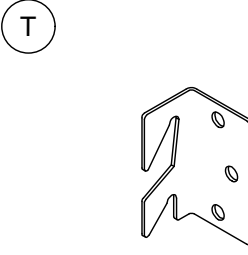
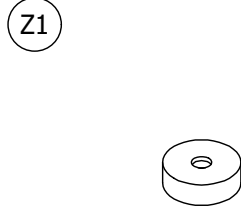
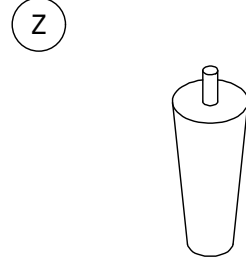
# PARTS




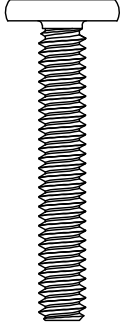
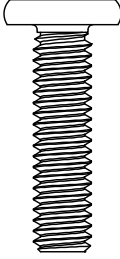
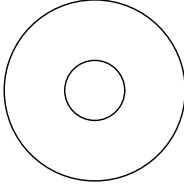


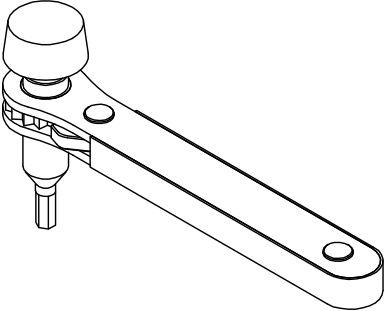
# PARTS LIST

 <p>Diagram A shows a rectangular headboard panel with a slightly curved top edge and a small notch on the left side.</p>	 <p>Diagram A1 shows a vertical side board with a notch at the bottom right corner.</p>	 <p>Diagram A2 shows a vertical side board with a notch at the bottom left corner.</p>	 <p>Diagram N shows a curved back cover panel with a wavy, undulating shape.</p>	 <p>Diagram B shows a long, narrow footboard panel with a notch at the bottom right corner.</p>
<p>Headboard 1 PC</p>	<p>Side Board 1 PC</p>	<p>Side Board 1 PC</p>	<p>Back Cover 1 PC</p>	<p>Footboard 1 PC</p>
 <p>Diagram C shows a long side panel with a notch at the bottom right corner.</p>	 <p>Diagram D shows a long side panel with a notch at the bottom left corner.</p>	 <p>Diagram E shows a long side panel with a notch at the top left corner.</p>	 <p>Diagram F shows a long side panel with a notch at the bottom right corner.</p>	 <p>Diagram G shows a long side rail with a notch at the bottom right corner.</p>
<p>Side Panel 1 PC</p>	<p>Side Panel 1 PC</p>	<p>Side Panel 1 PC</p>	<p>Side Panel 1 PC</p>	<p>Side Rail 4 PCS</p>

# PARTS LIST

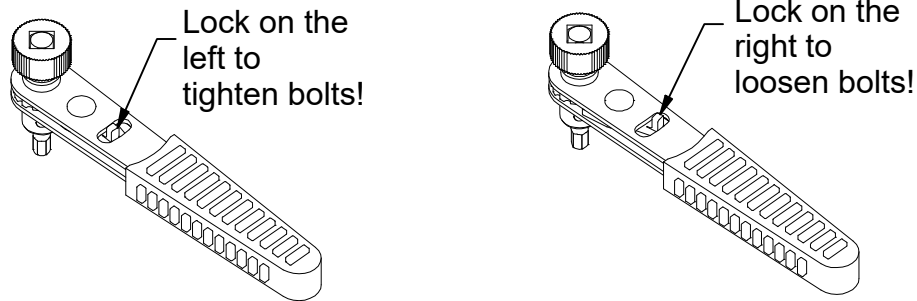
				
<p>Center Rail 1 PC</p>	<p>Connector 2 PCS</p>	<p>Support Leg 3 PCS</p>	<p>Center Rail 4 PCS</p>	<p>End Rail 1 PC</p>
				
<p>Wooden Slats 1 PC</p>	<p>Bracket 1 PC</p>	<p>Bracket 1 PC</p>	<p>Foot 2 PCS</p>	<p>Leg 2 PCS</p>

# HARDWARE LIST

<b>1</b> 	<b>2</b> 	<b>3</b> 	<b>4</b> 	<b>5</b> 
1/4" X 3/4" Bolt 41 PCS	1/4" X 1 9/16" Bolt 24 PCS	5/16" X 1 3/16" Bolt 2 PCS	1/4" Metal Washer 12 PCS	1/4" Spring Washer 6 PCS
<b>6</b> 	<b>7</b> 			
4mm Allen Key 1 PC	4mm Ratchet Wrench 1 PC			

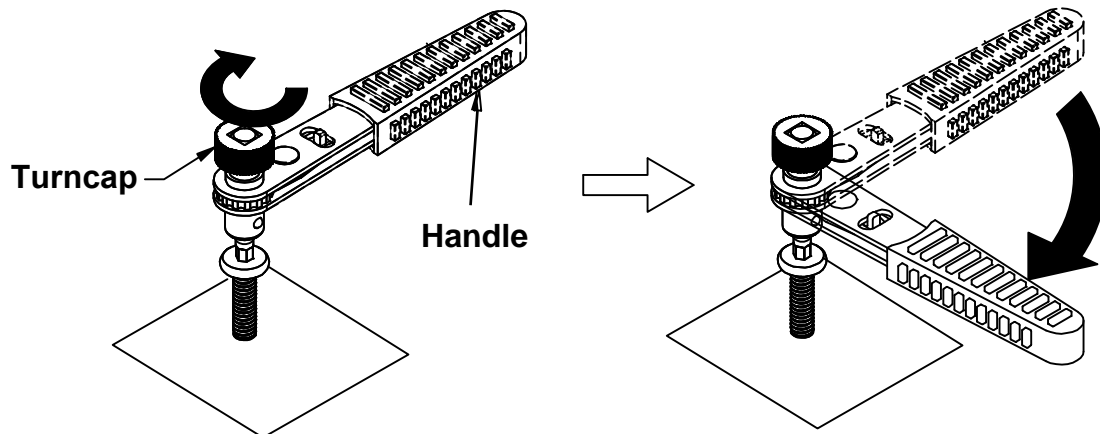
## How To Use The Ratchet

1. Before assembling the furniture, please adjust the lock tool as needed.



2. Tighten or loosen the bolts

- **Tighten bolts** : Locate the turncap (picture) and rotate it clockwise to screw the bolt quickly, until it cannot be rotated any more. Then start rotating with the handle clockwise to finalize tightening the bolts.
- **Loosen bolts** : Rotate the handle counterclockwise to loosen the bolt. Then, to completely remove the bolts, continue rotating with the turncap in the same direction.



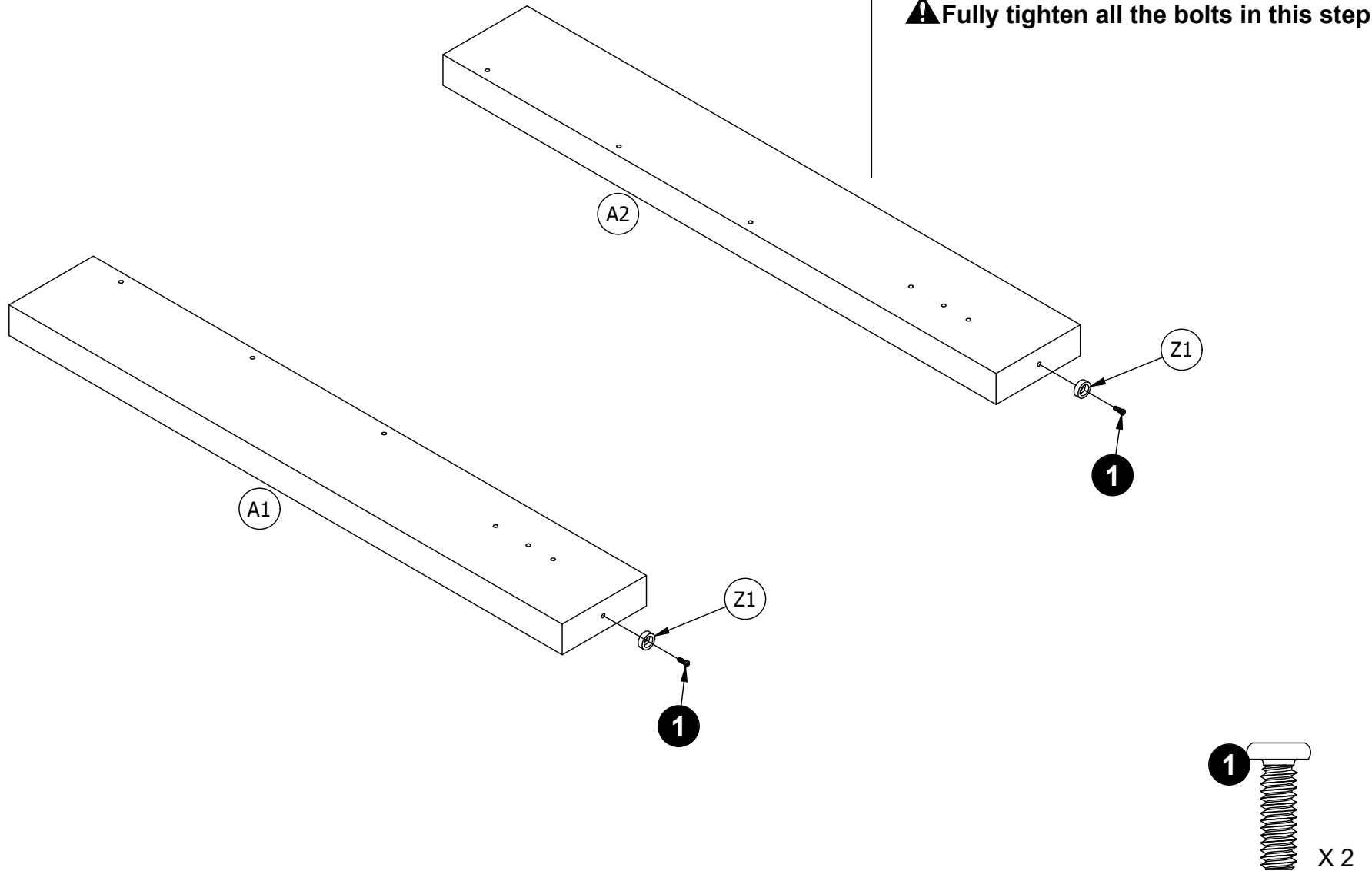
## Helpful Hints

- Before assembling the furniture, please read the instructions on how to use ratchet, it will help you to assemble the furniture quickly.
- Please don't throw away the ratchet in case you may need to use in future.

# Step 1

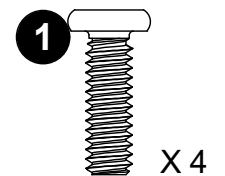
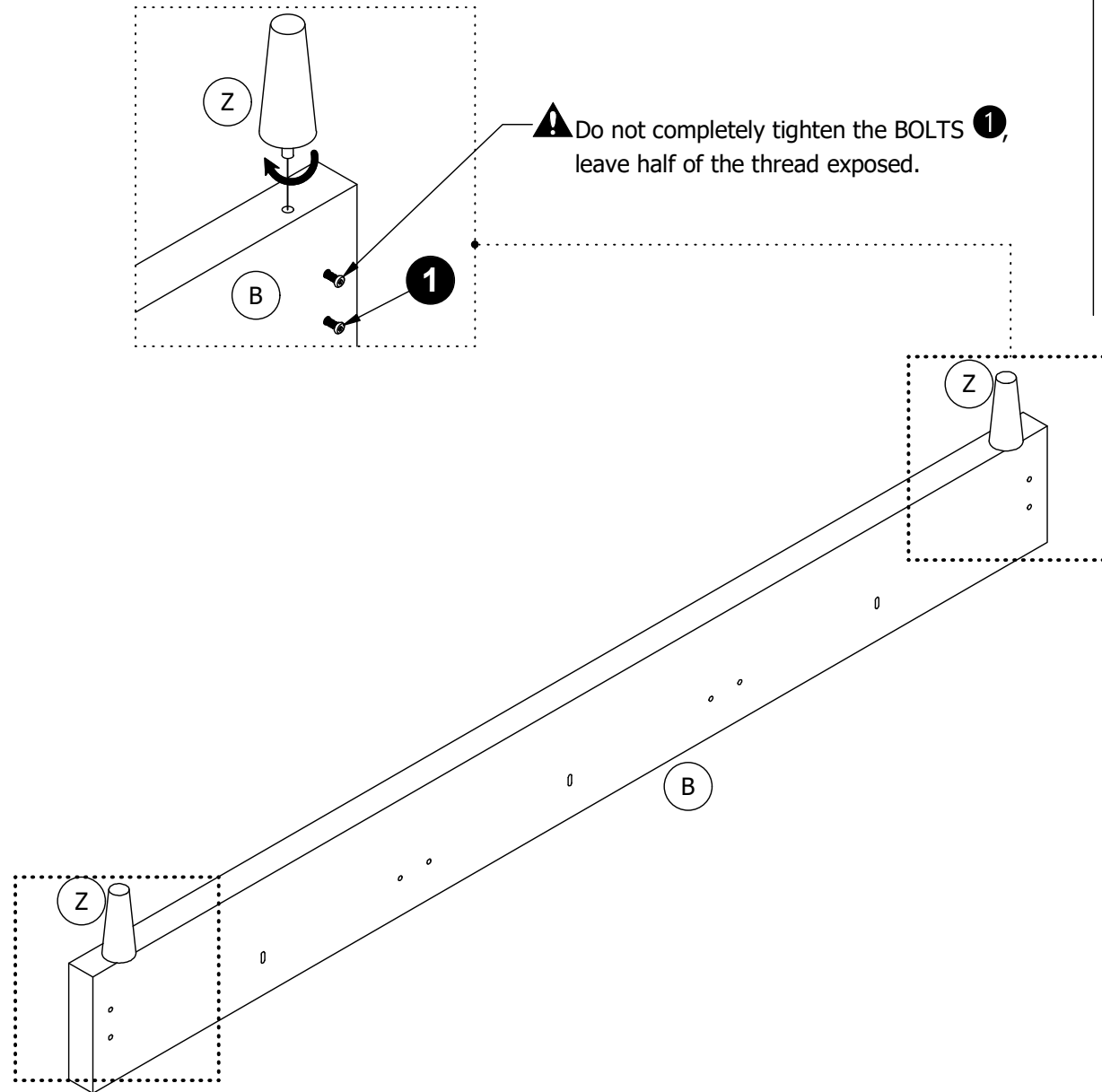
Attach **Z1** x 2 to **A1** and **A2** with **1**.

**⚠ Fully tighten all the bolts in this step.**

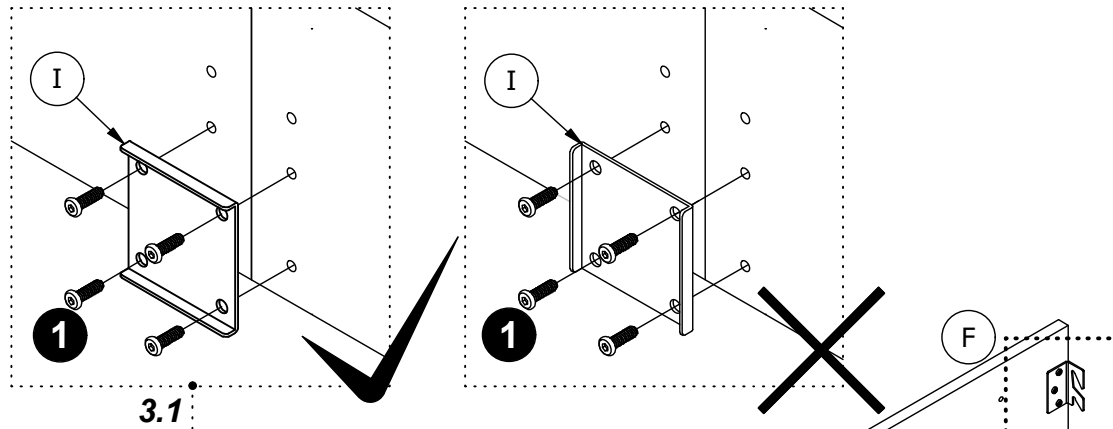


## Step 2

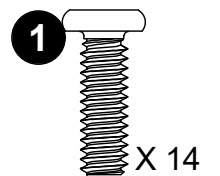
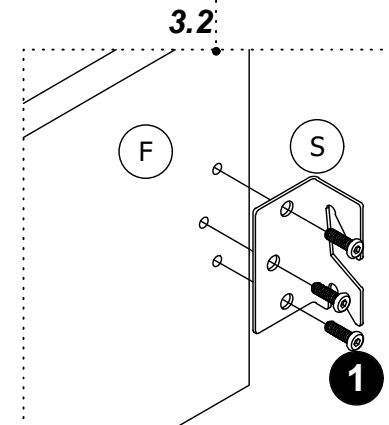
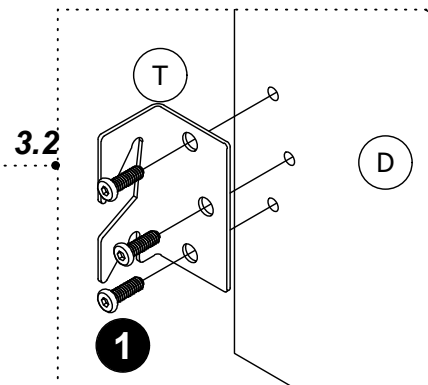
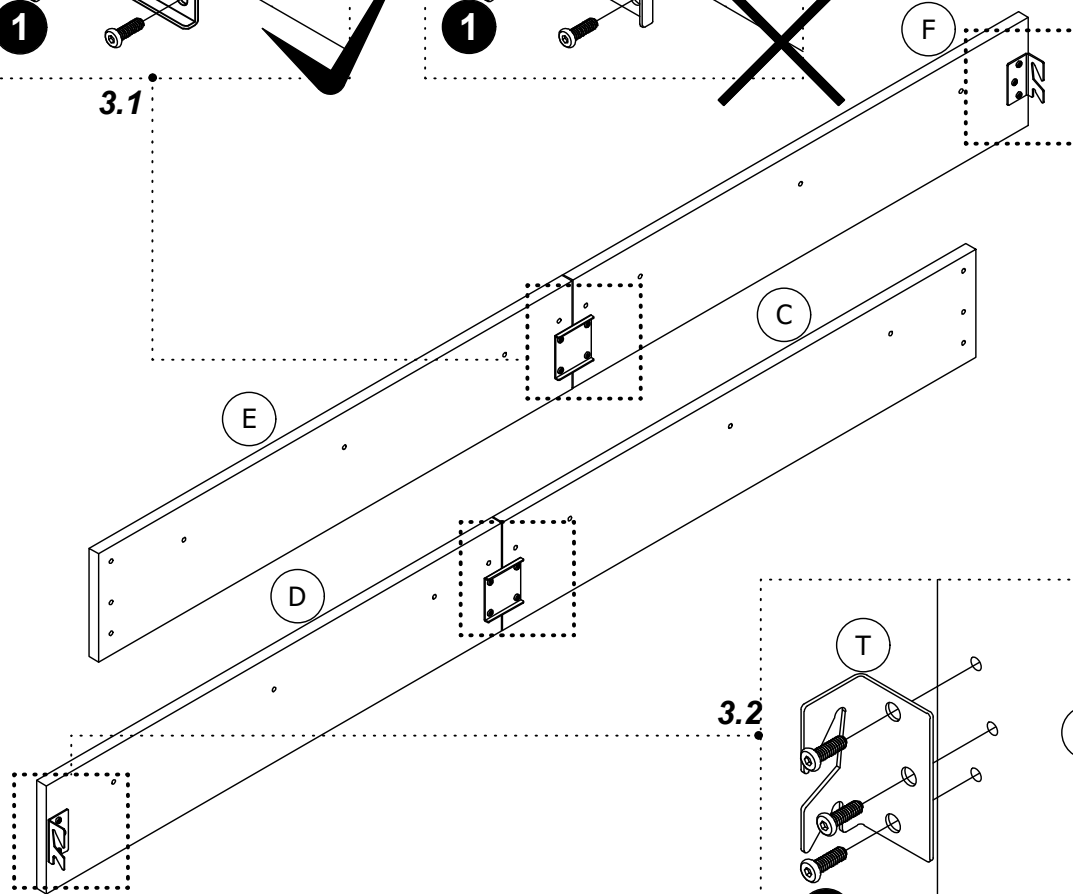
Attach **Z x 2** to **B**.  
Screw **1** into **B** as illustrated, making sure  
to leave half of the threads exposed.



# Step 3

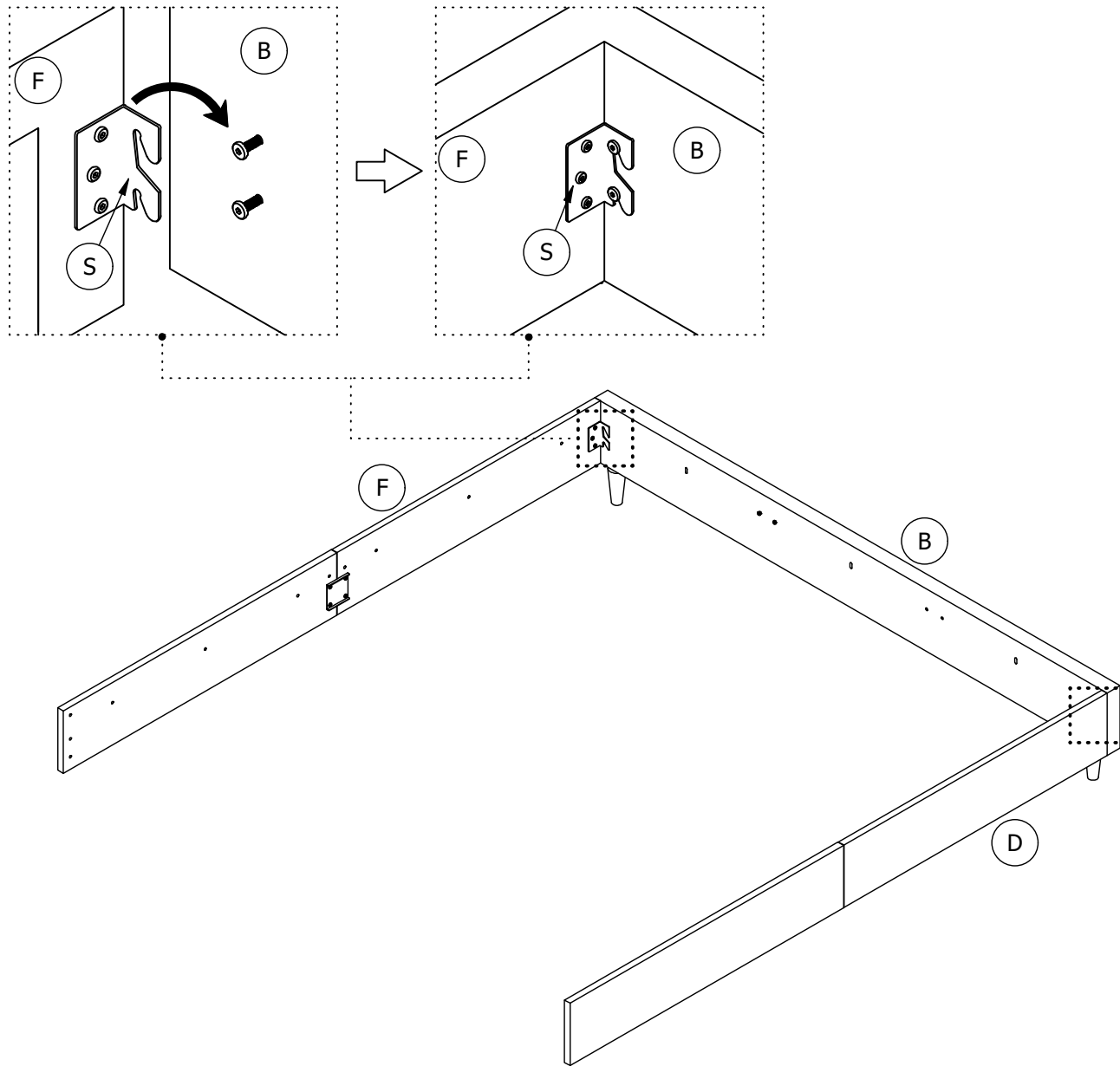


- 3.1 Attach **I** to **E** and **F** with **1**.
- Attach **I** to **C** and **D** with **1**.
- 3.2 Attach **T** to **D** with **1**.
- Attach **S** to **F** with **1**.



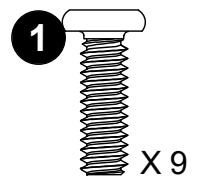
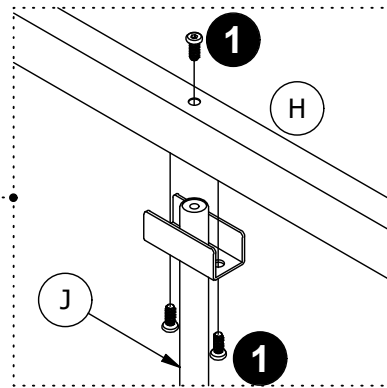
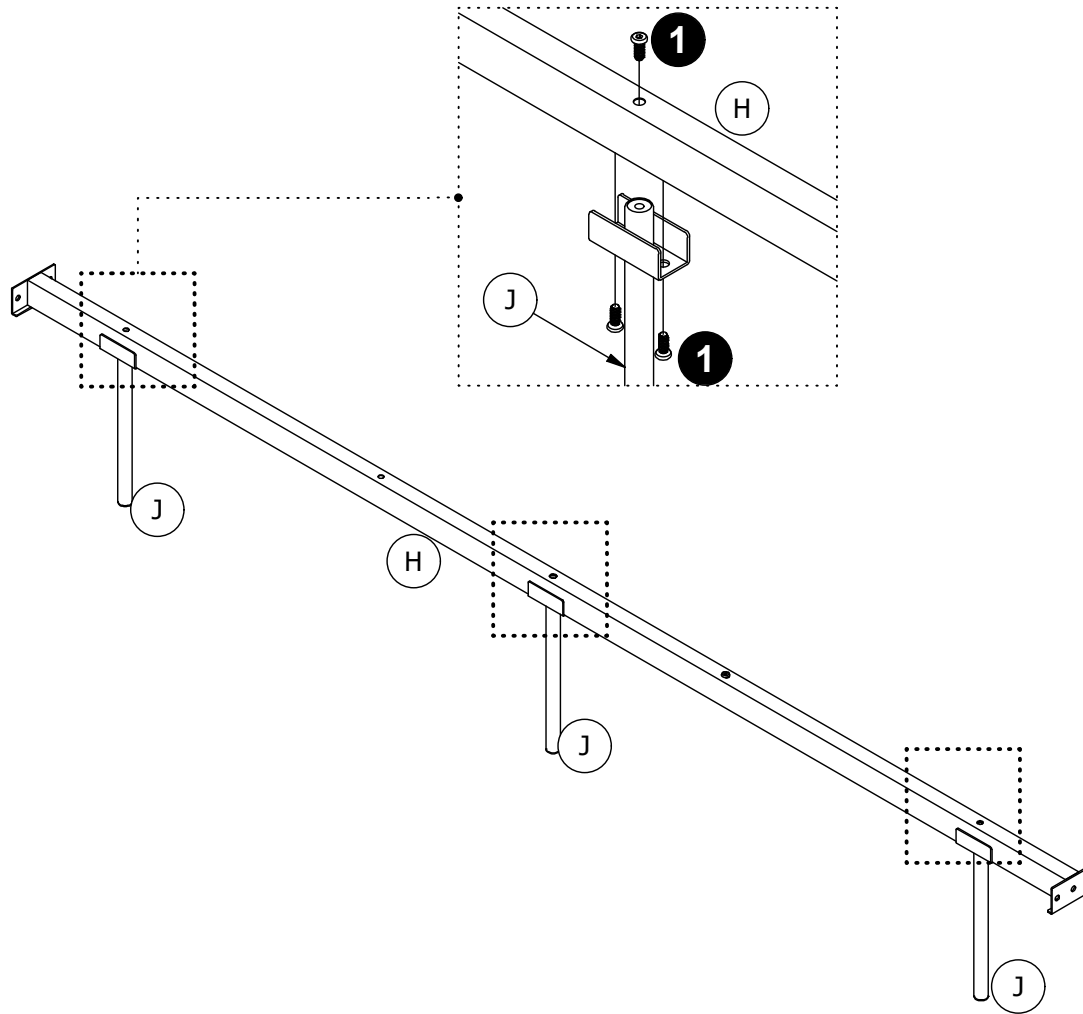
# Step 4

Hang **F** and **D** on **B** as illustrated.  
Don't completely tighten the bolts until **STEP 12** is complete. This will help with alignment.



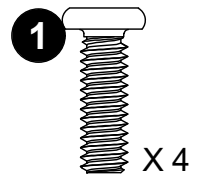
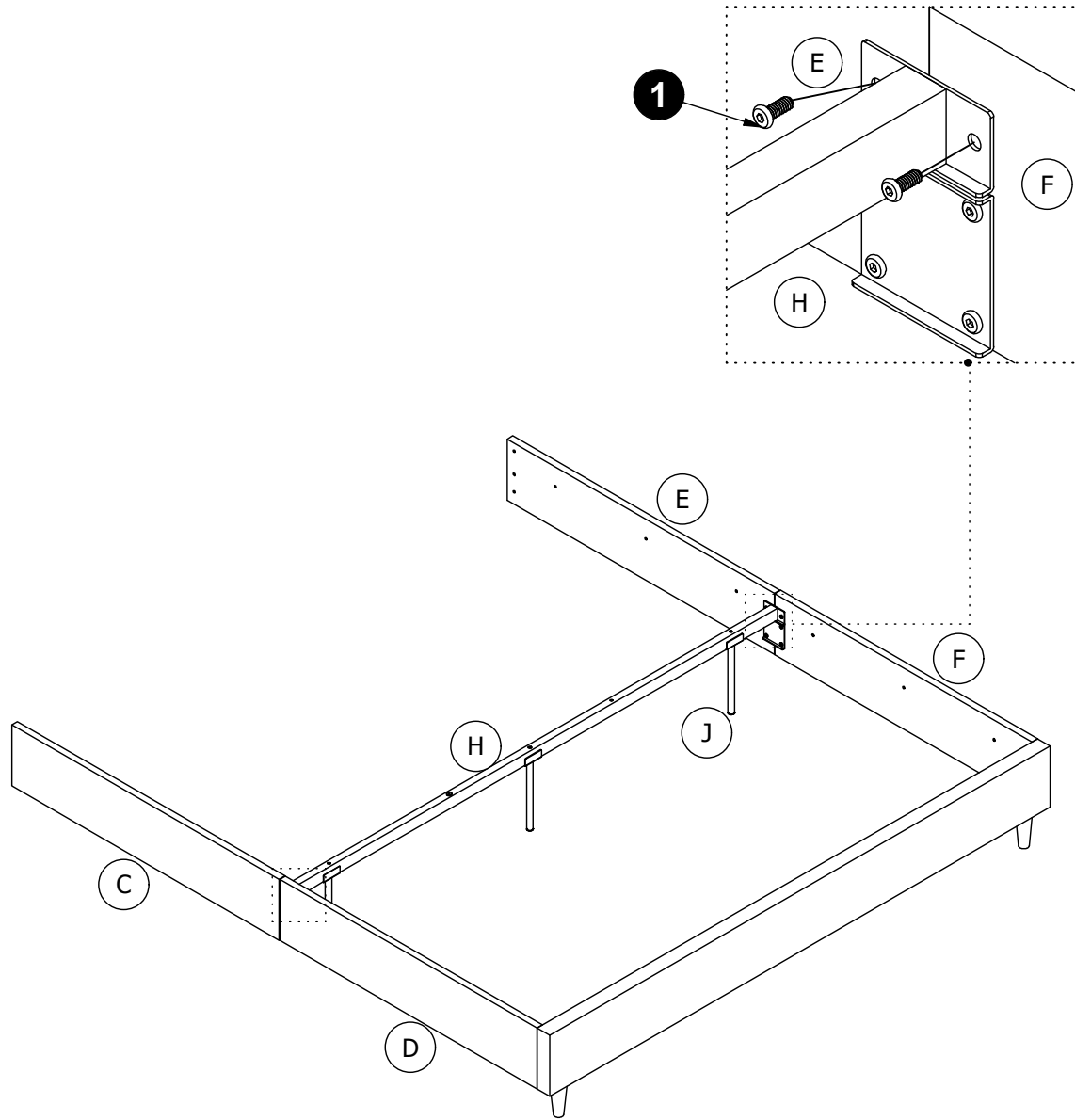
# Step 5

Attach **J** x 3 to **H** with **1**.



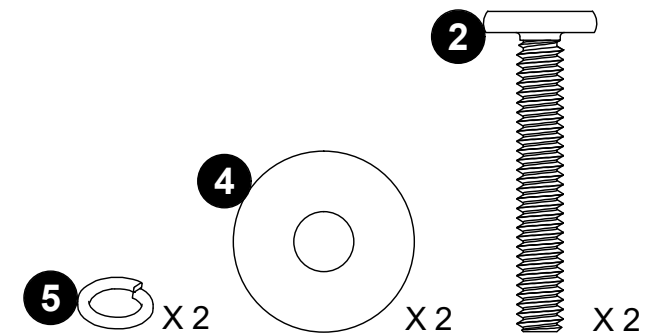
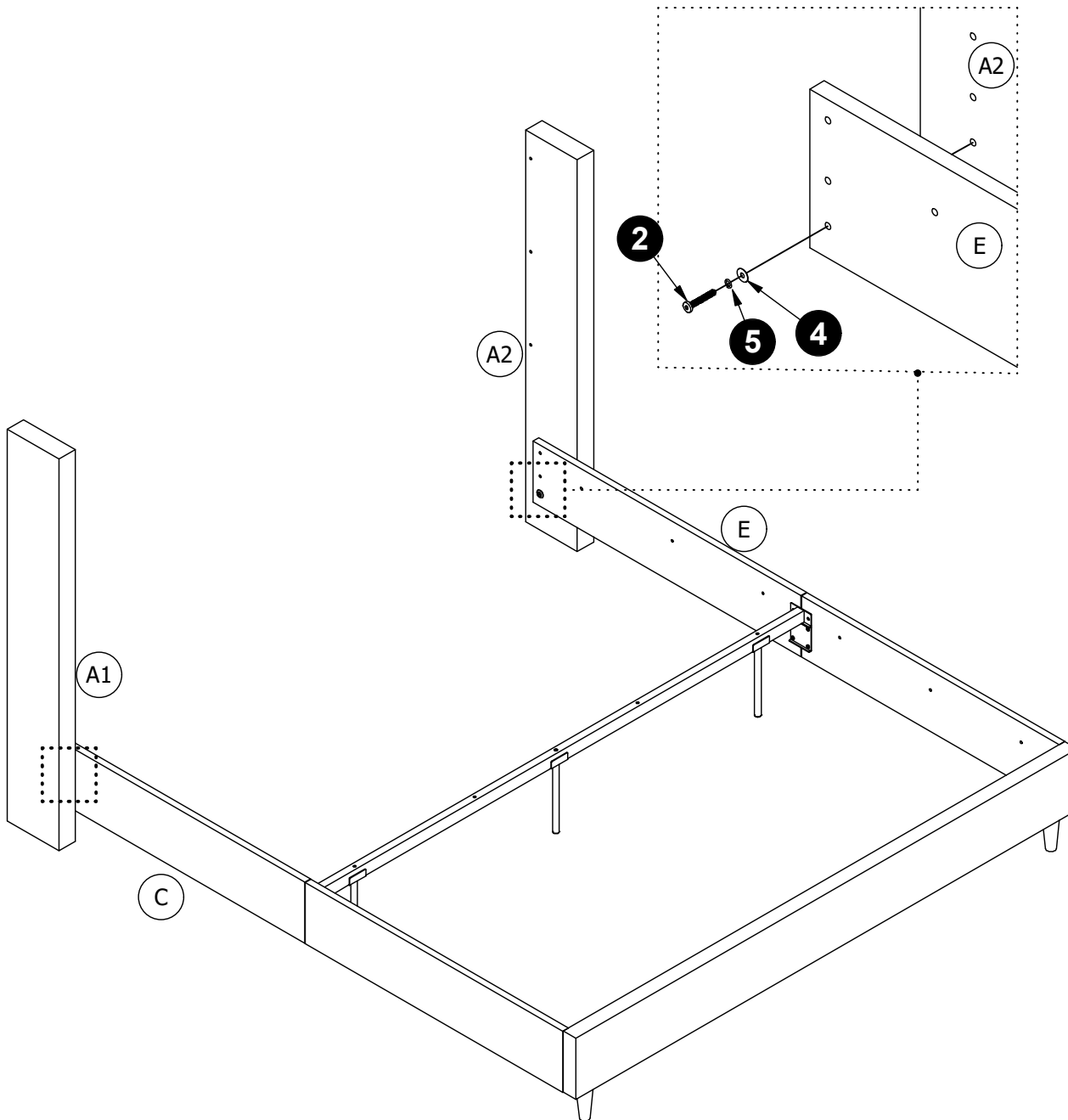
# Step 6

Attach subassemblies ( H & J ) from previous step to C/D and E/F with ①.



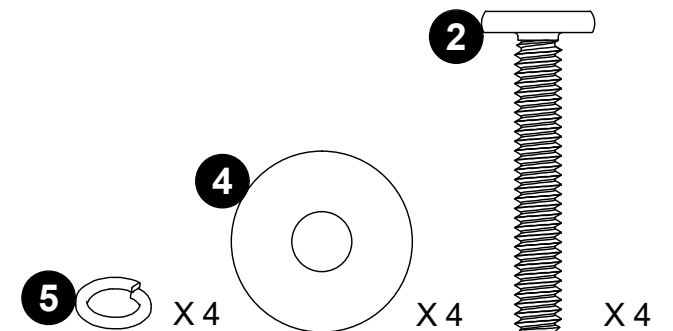
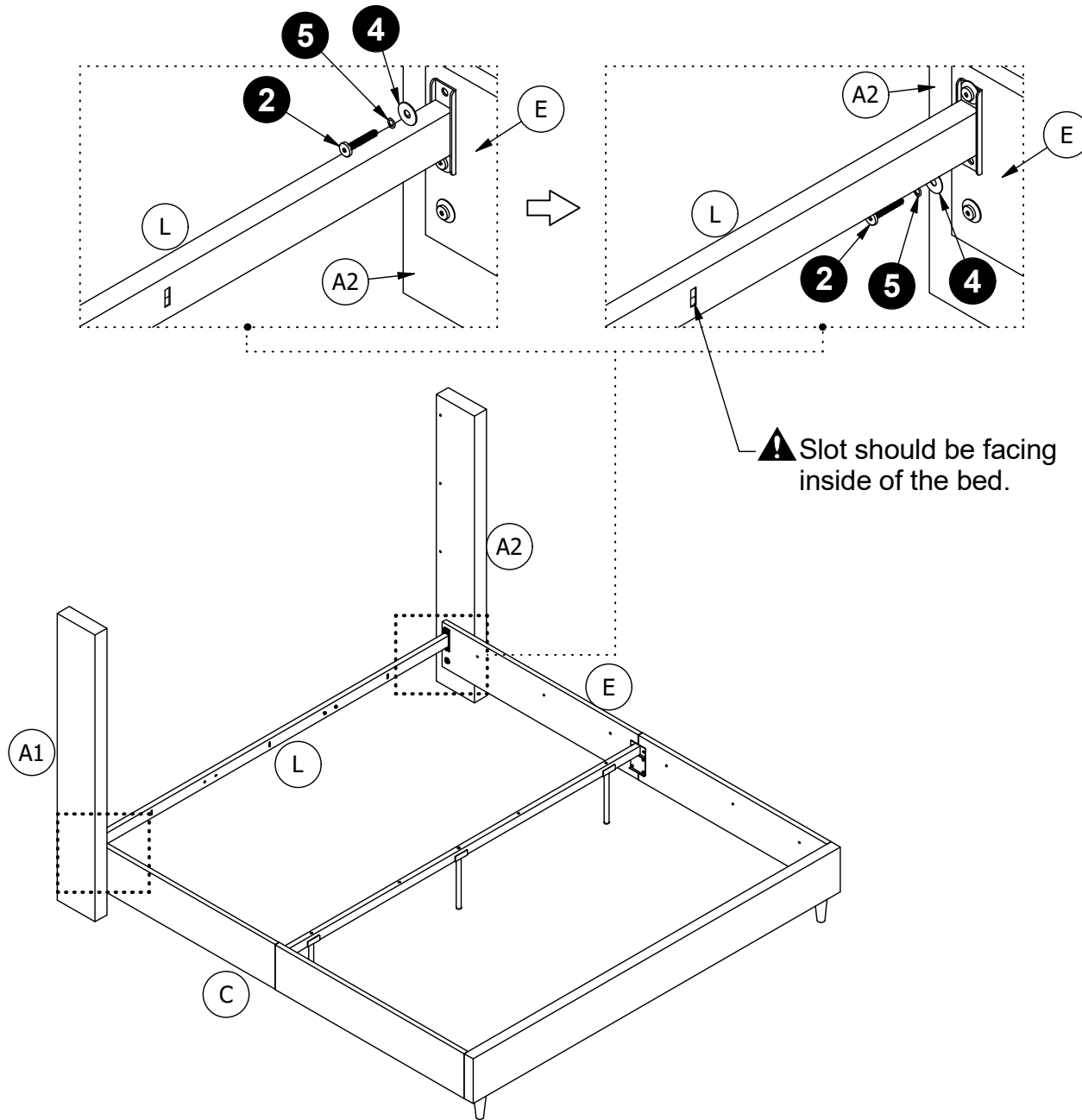
# Step 7

Attach **C** to **A1** with **2** & **4** & **5**.  
Attach **E** to **A2** with **2** & **4** & **5**.



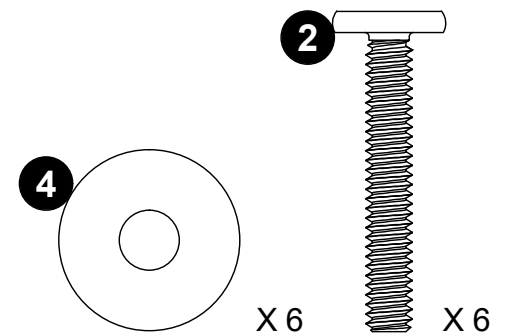
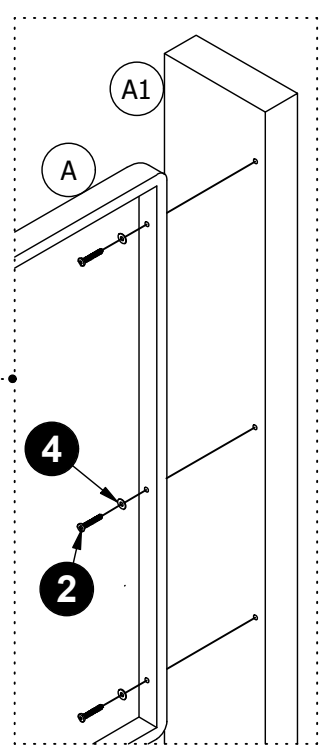
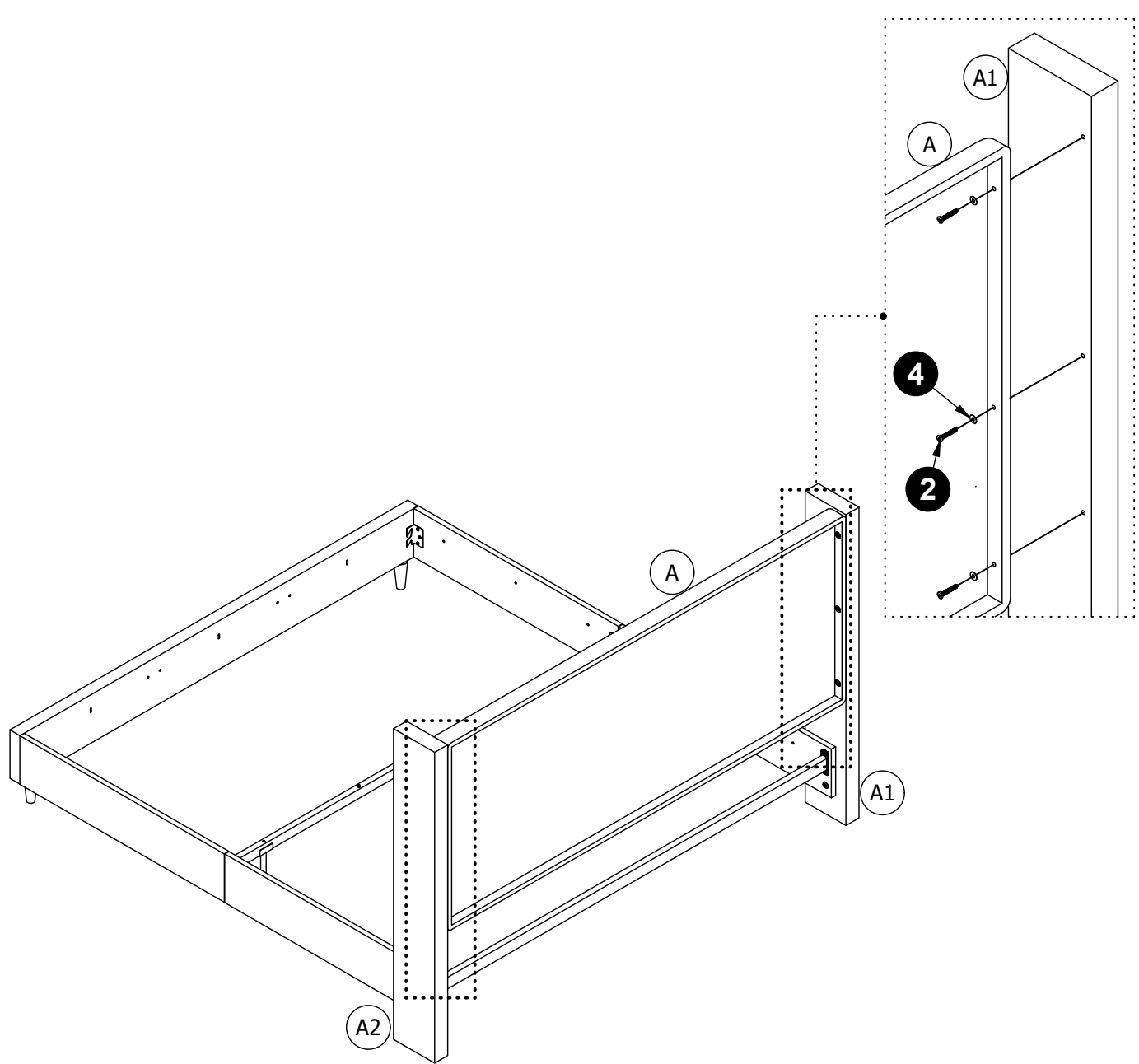
# Step 8

Attach **L** and **C** to **A1** with **2** & **4** & **5**.  
Attach **L** and **E** to **A2** with **2** & **4** & **5**.



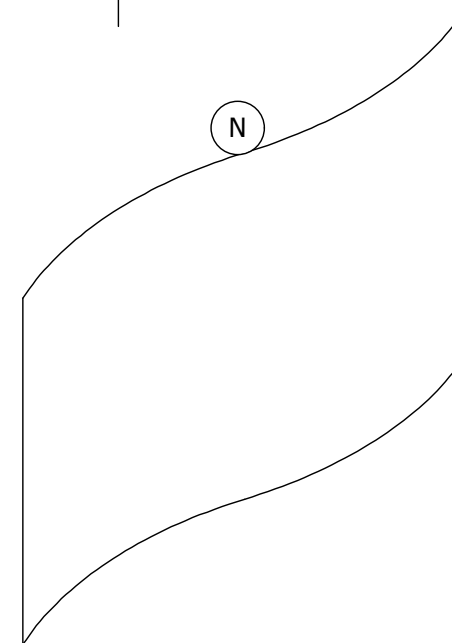
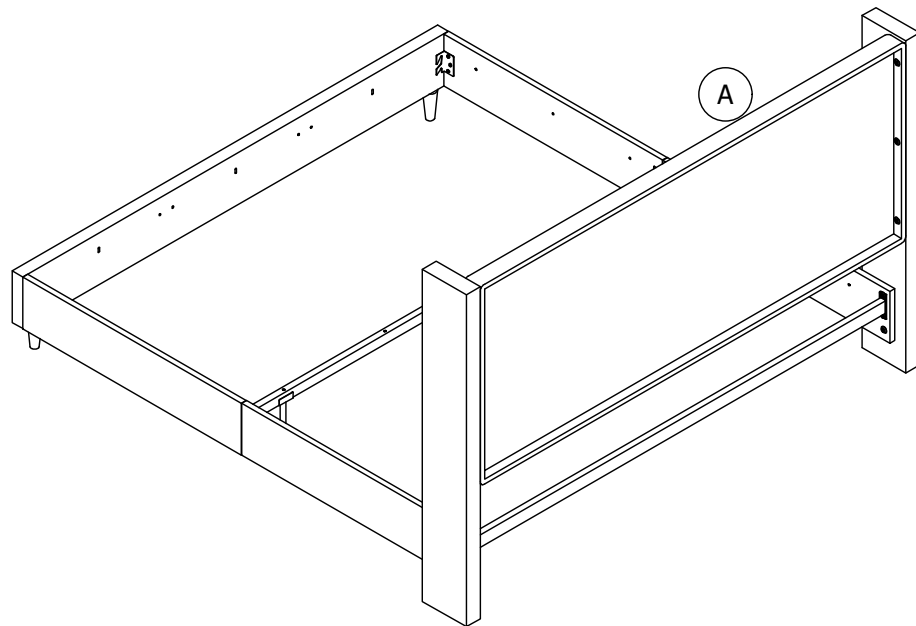
# Step 9

Attach **A** to **A1** and **A2** with **2** and **4**.



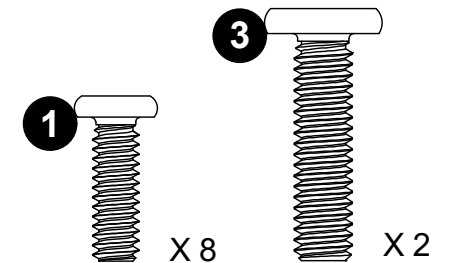
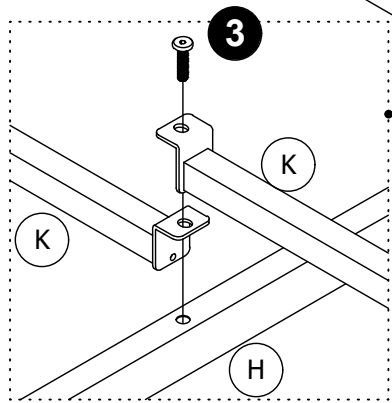
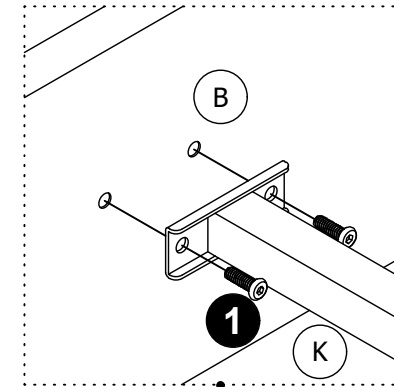
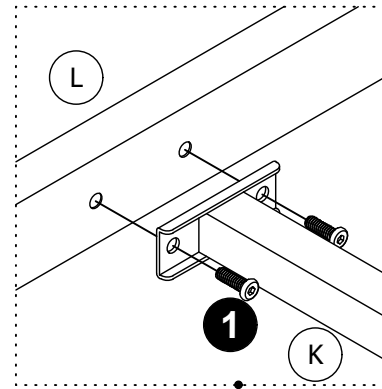
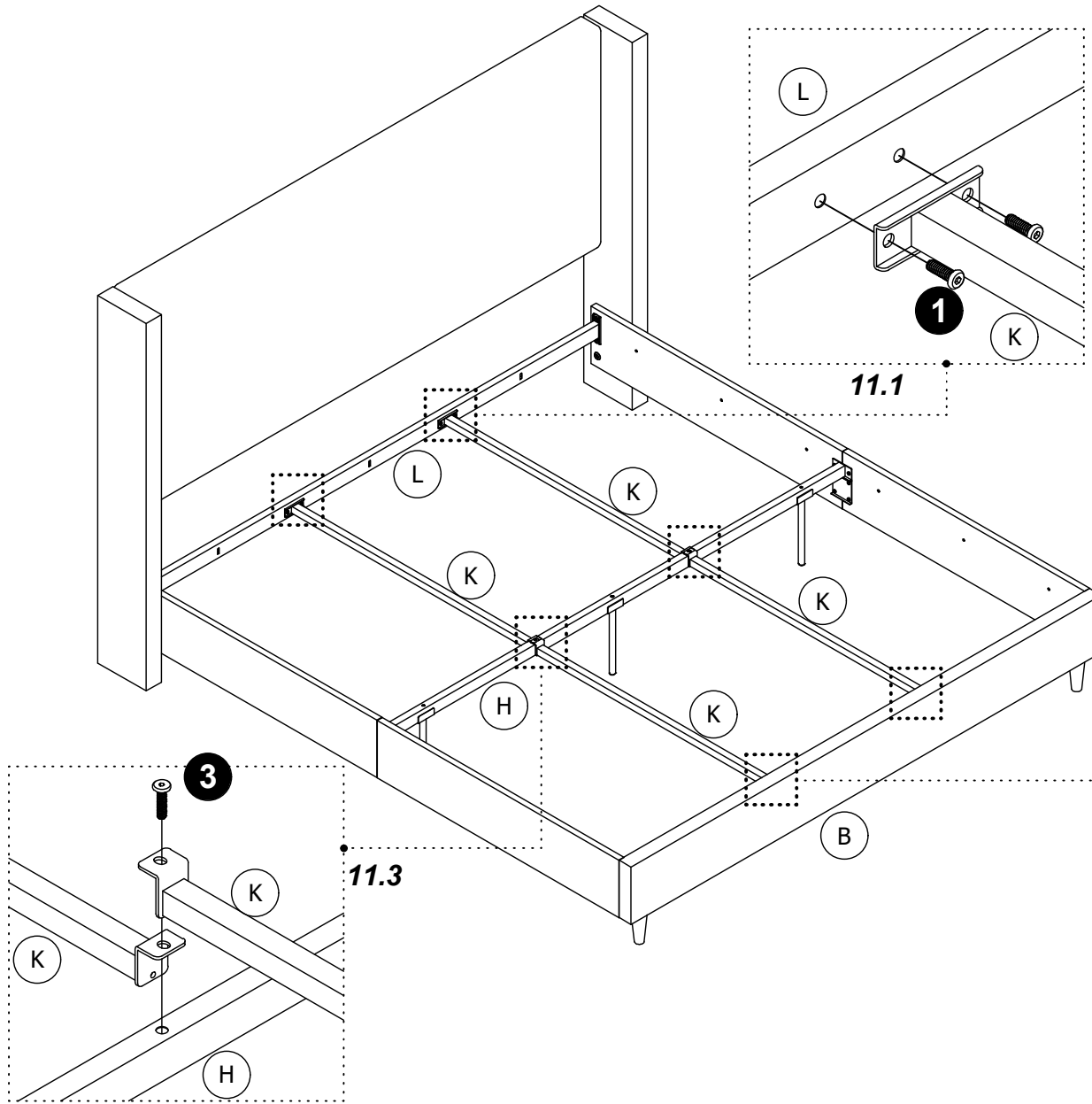
# Step 10

Stick **N** to the back of **A** with Velcro as illustrated.



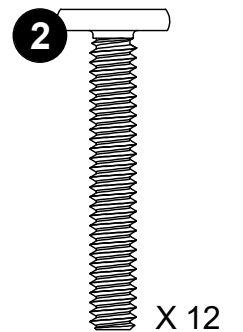
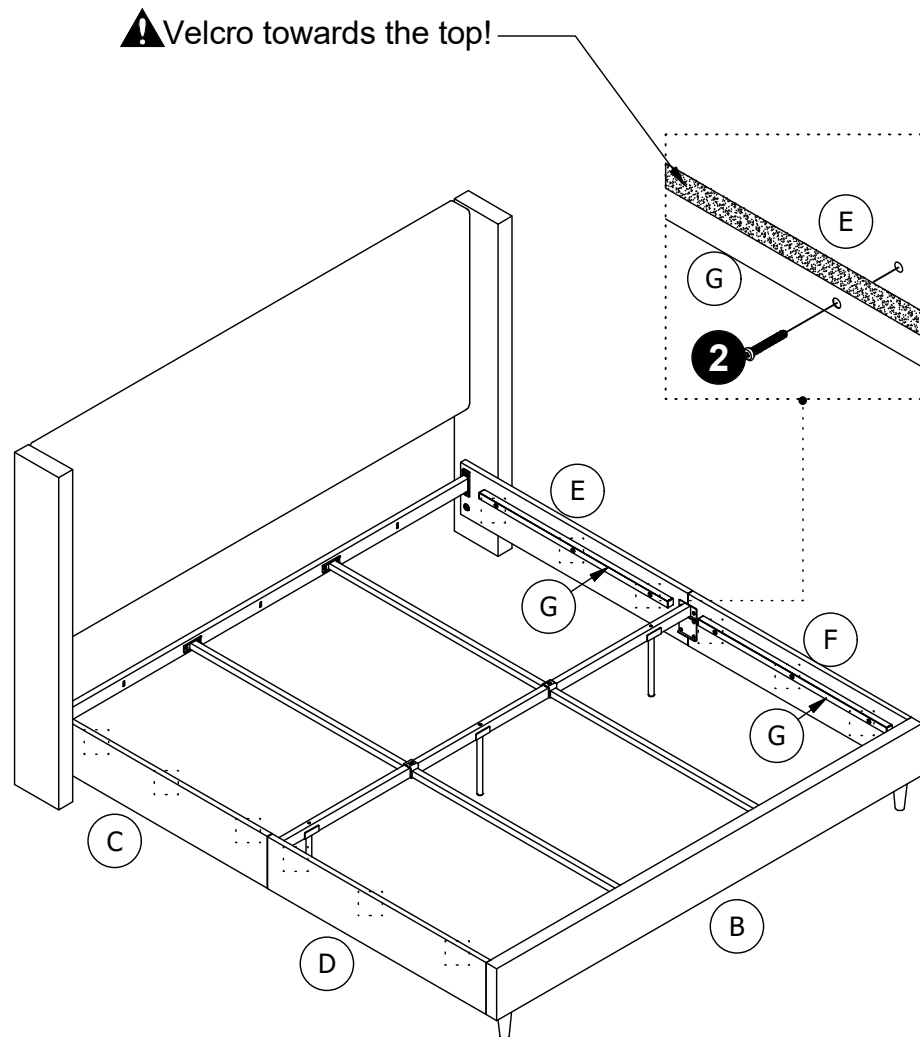
# Step 11

- 11.1 Attach **K** x 2 to **L** with **1**.
- 11.2 Attach **K** x 2 to **B** with **1**.
- 11.3 Attach **K** x 4 to **H** with **3**.



# Step 12

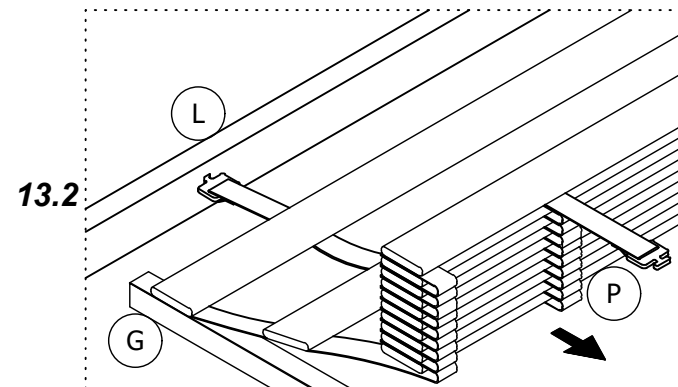
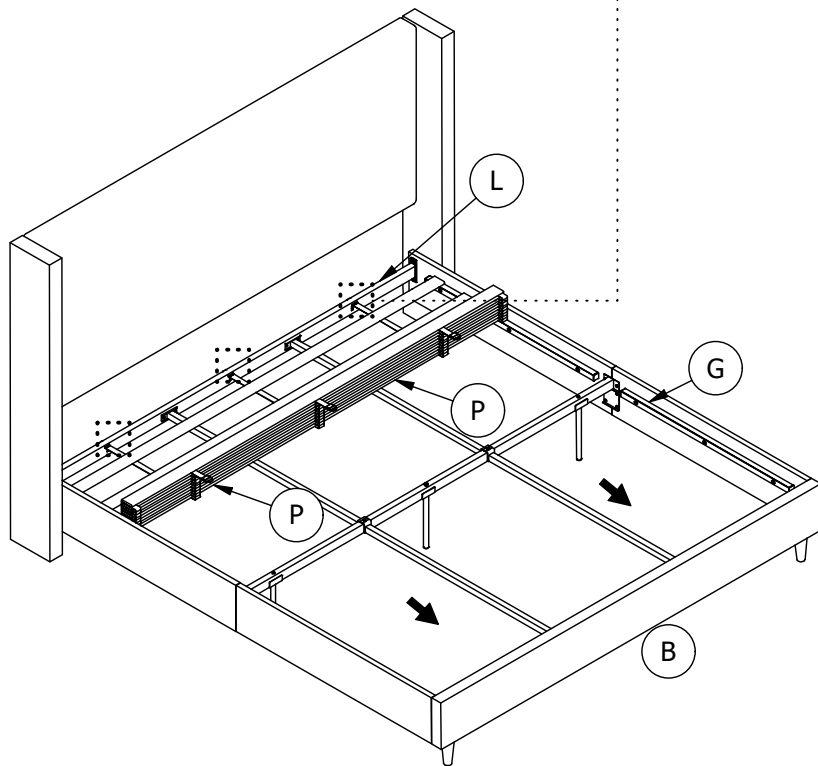
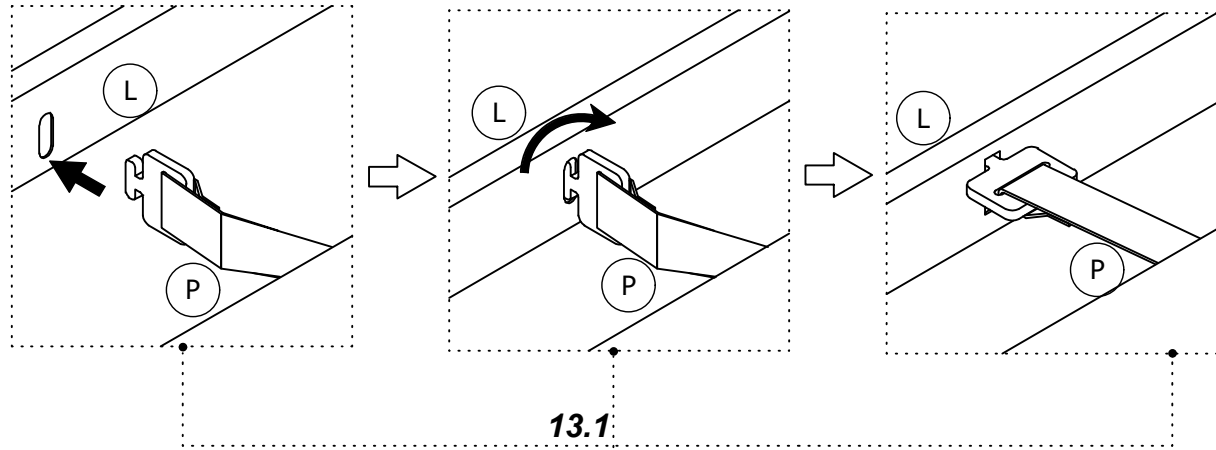
Attach **G x 4** to **C,D,E** and **F** with **2**.  
**Fully tighten all bolts.**



# Step 13

**13.1** Attach one end of **P** to **L** by inserting the tab into the slot and turn it to the level position.

**13.2** Spread the slats **P** along the bed with equal spacing, engage the velcro at the end of slat with the counter part on **G**.



# Step 14

Attach the other end of **P** to **B** by inserting the tab into the slot and turn it to the level position.

