


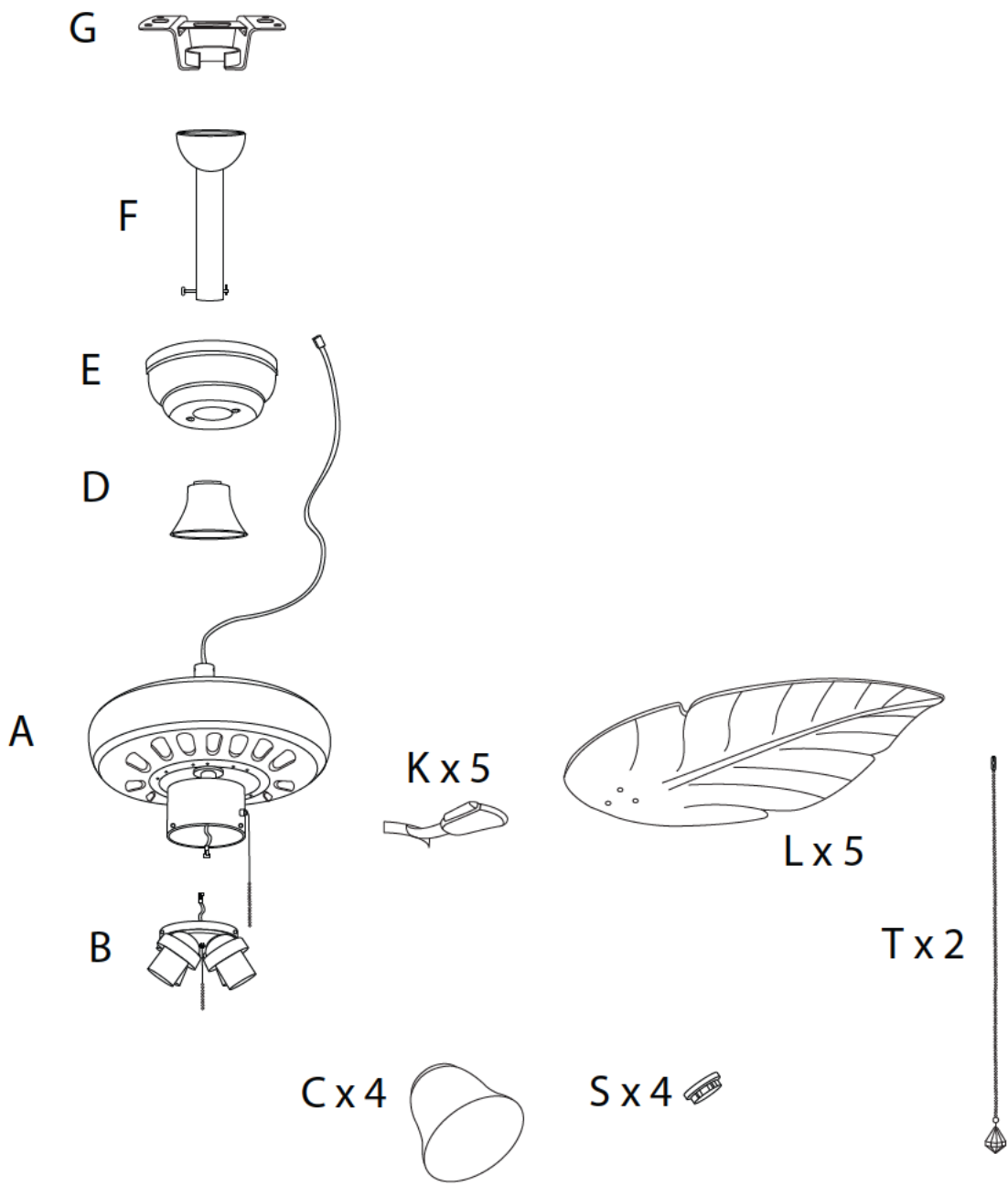




		60'
		
		1



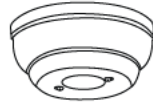
<p>A</p>  <p>x 1</p>	<p>B</p>  <p>x 1</p>	<p>C</p>  <p>x 4</p>
---	---	---

D



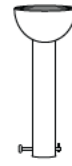
x 1

E



x 1

F



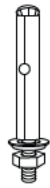
x 1

G



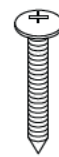
x 1

H



x 2

I



x 4

J



x 1

K



x 5

L



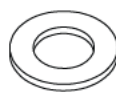
x 5

M



x 15

N



x 15

O



x 2

P



x 10

R



x 1

S

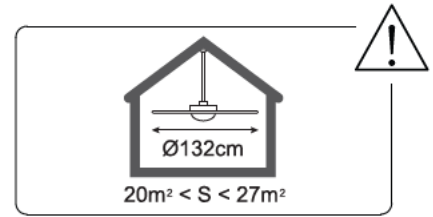
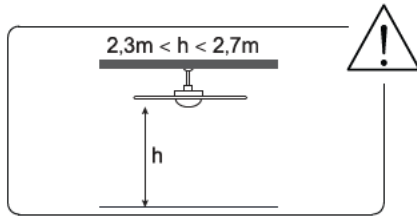
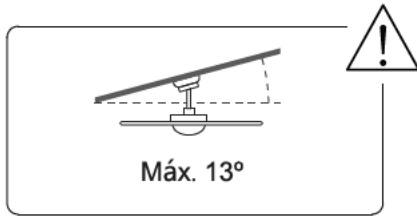
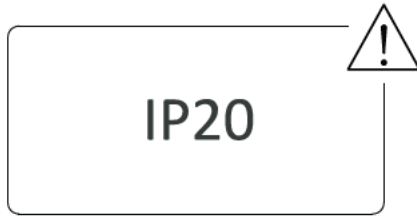
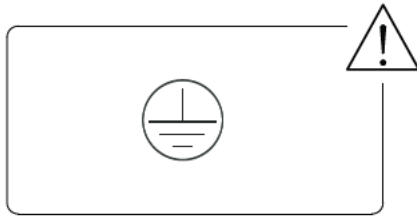
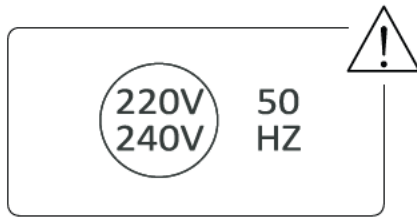


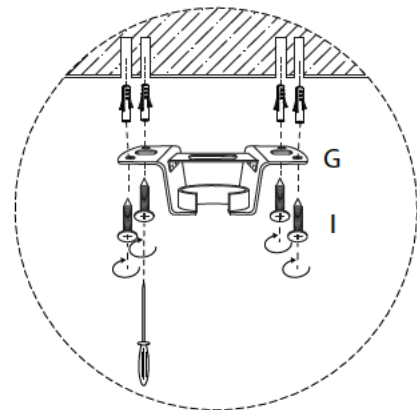
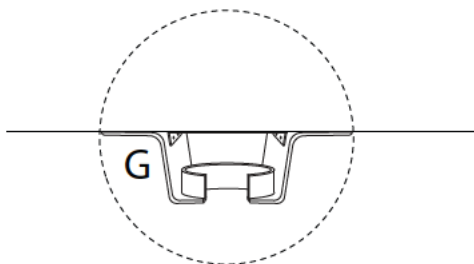
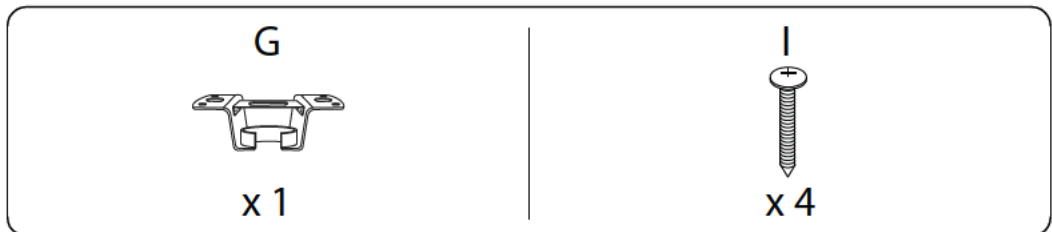
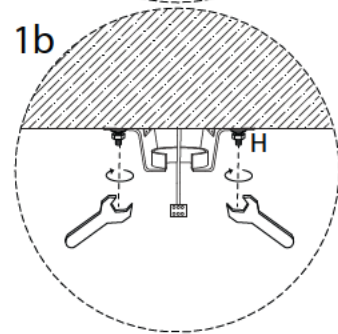
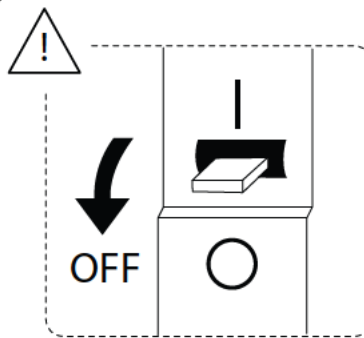
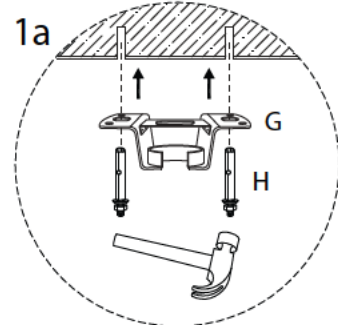
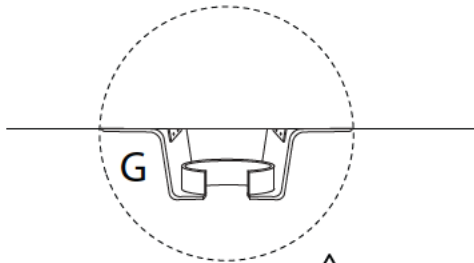
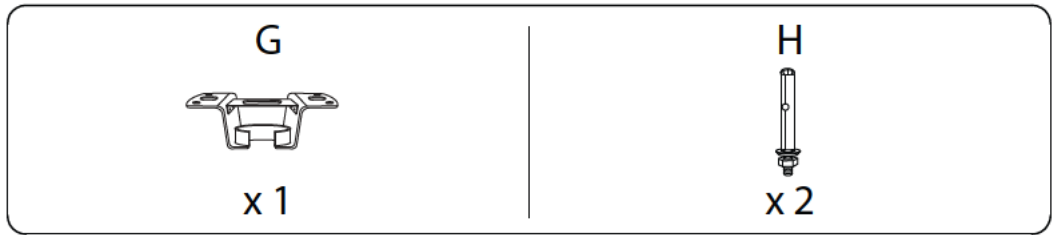
x 4

T

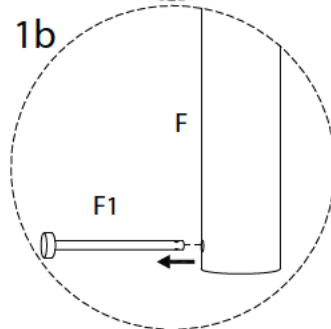
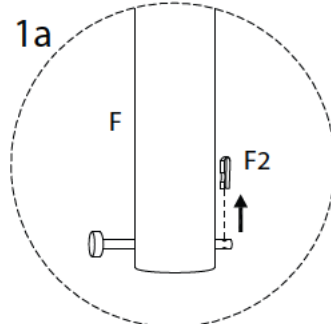
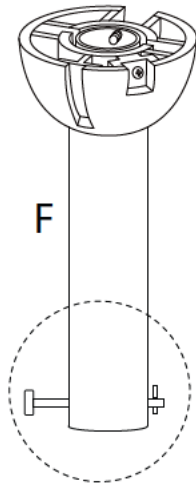
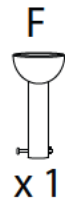


x 2

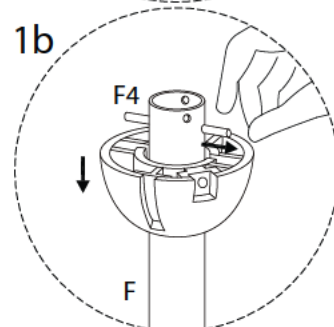
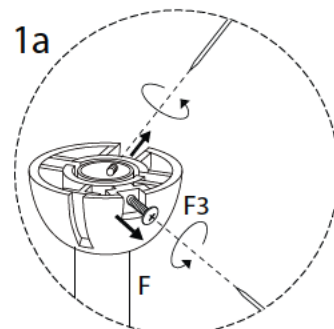
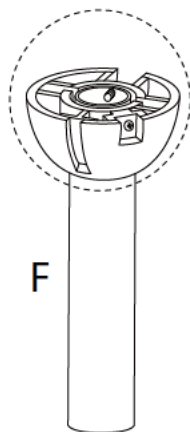




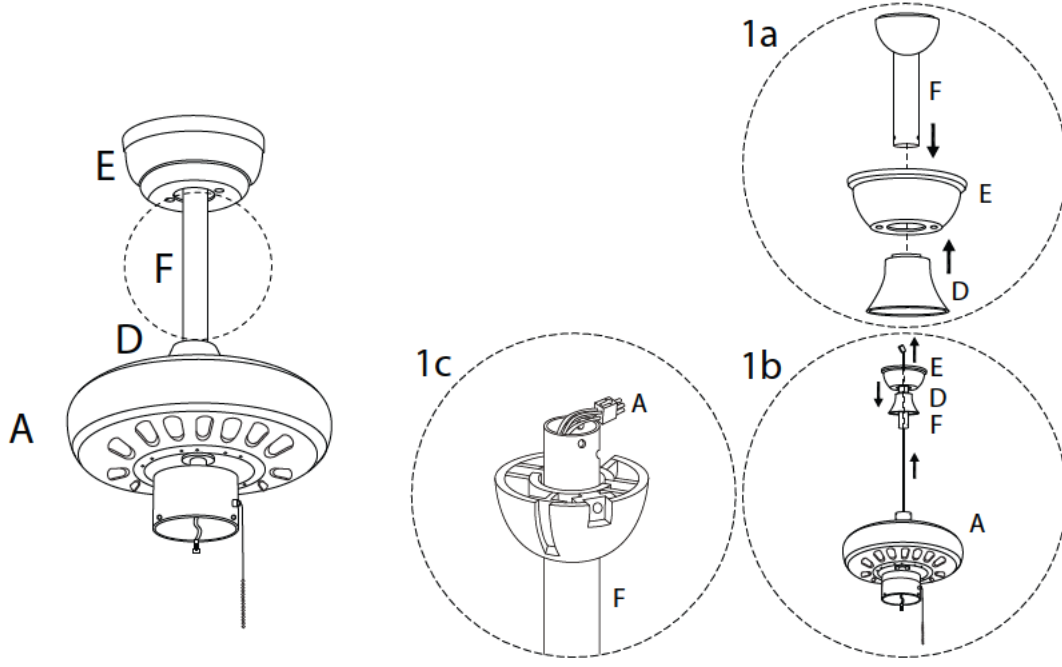
1



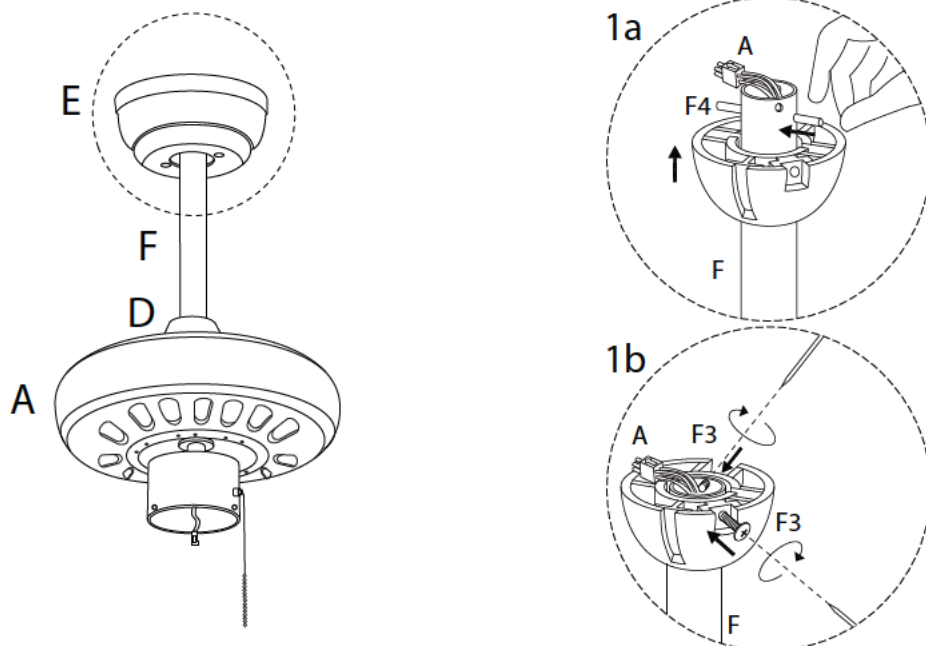
2



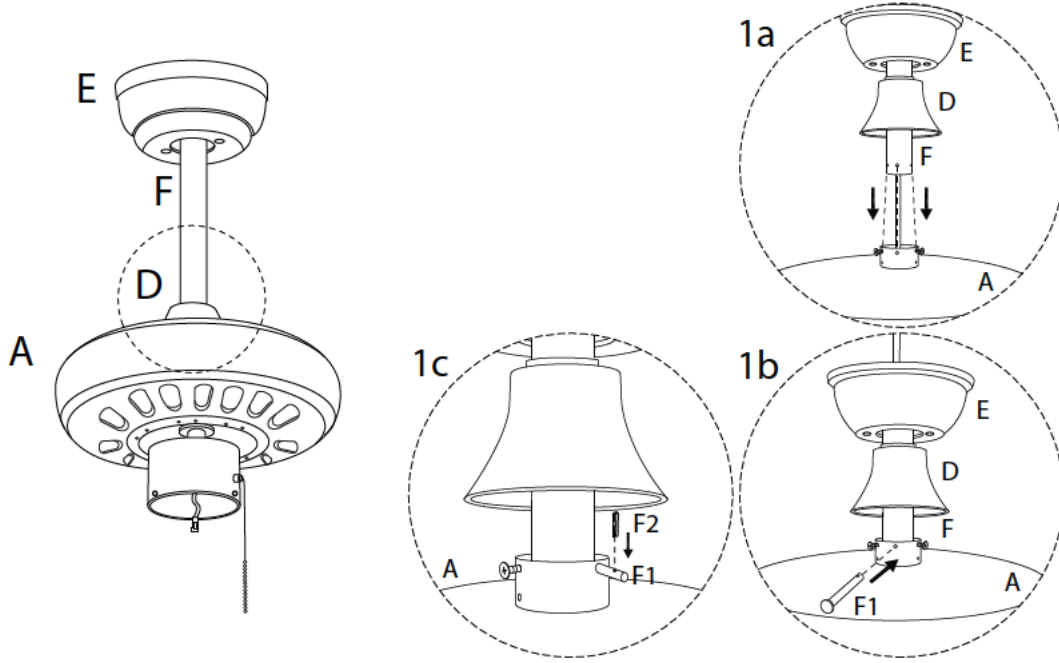
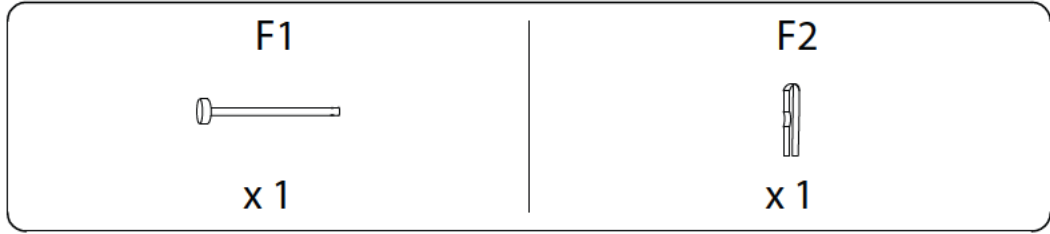
3



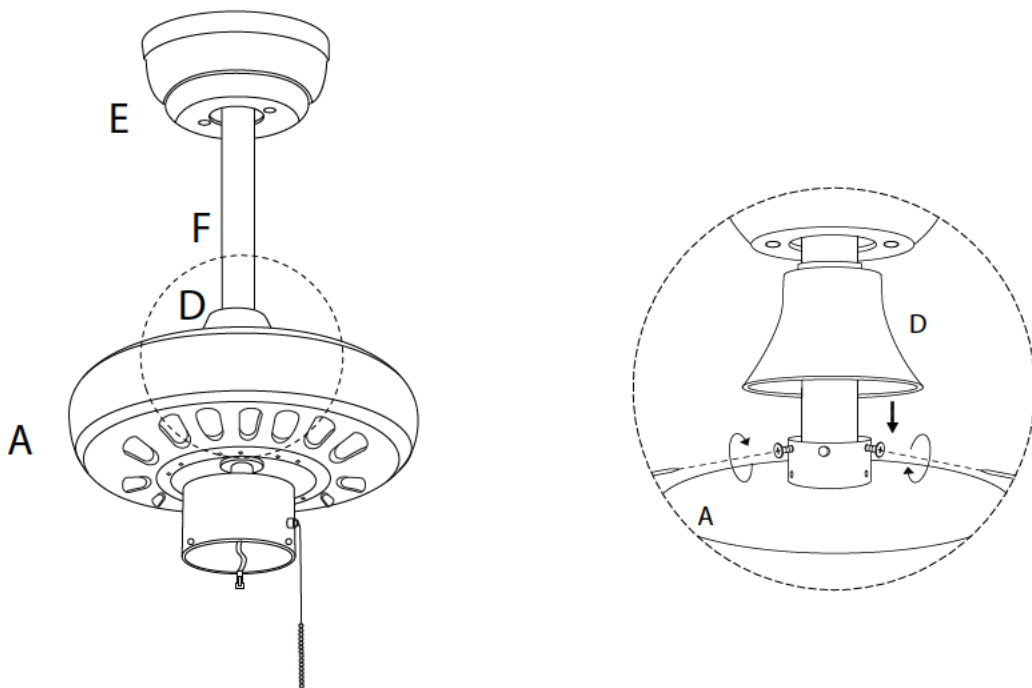
4



5



6

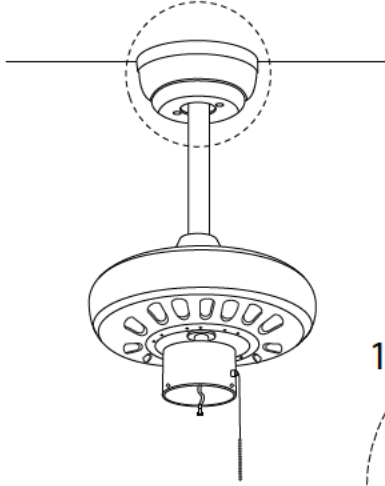


7

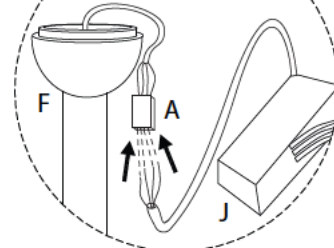
J



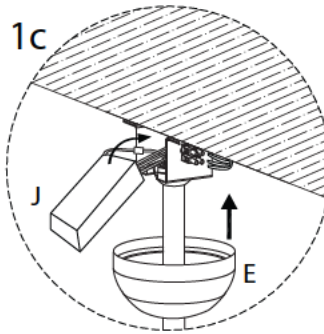
x1



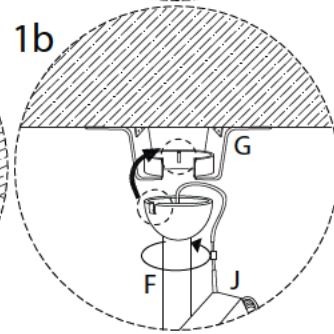
1a



1c



1b

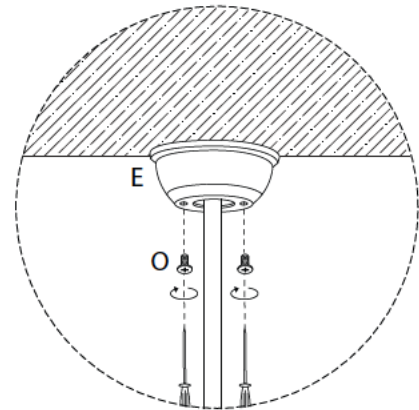
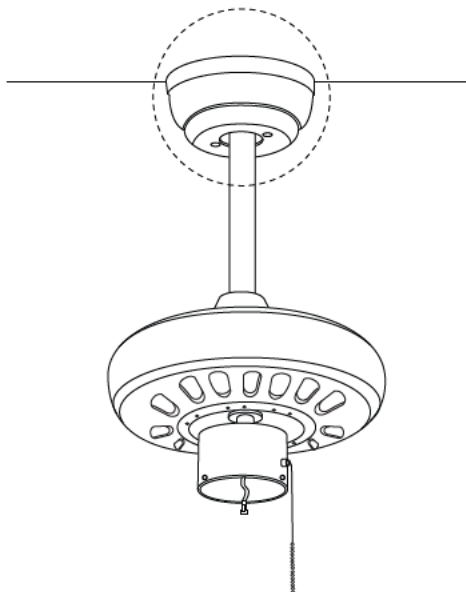


8

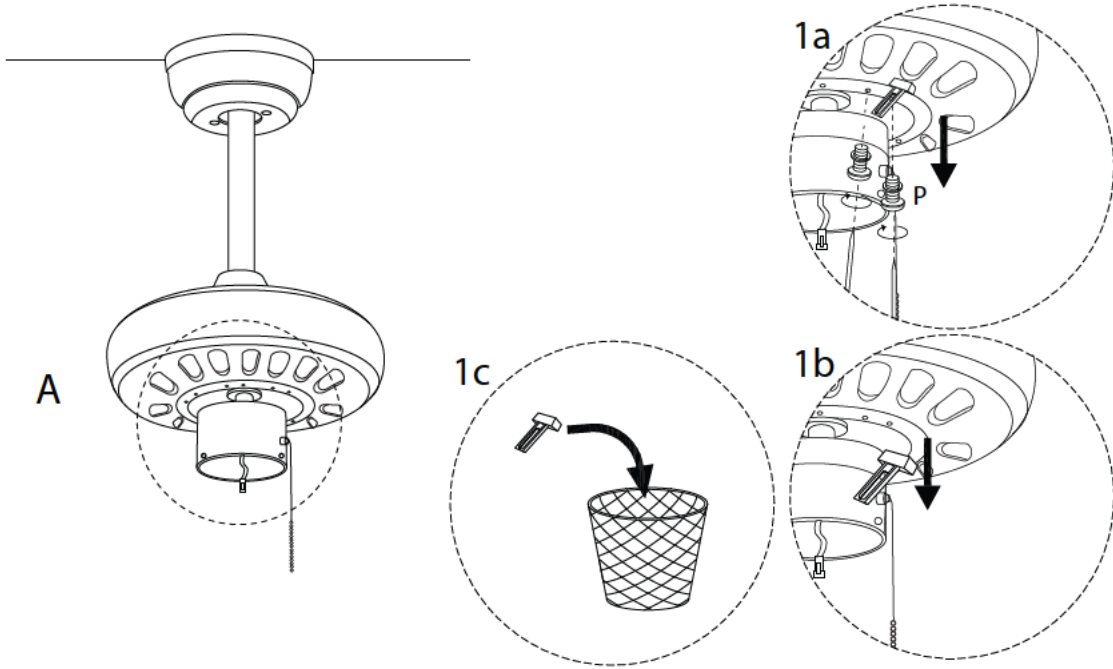
O



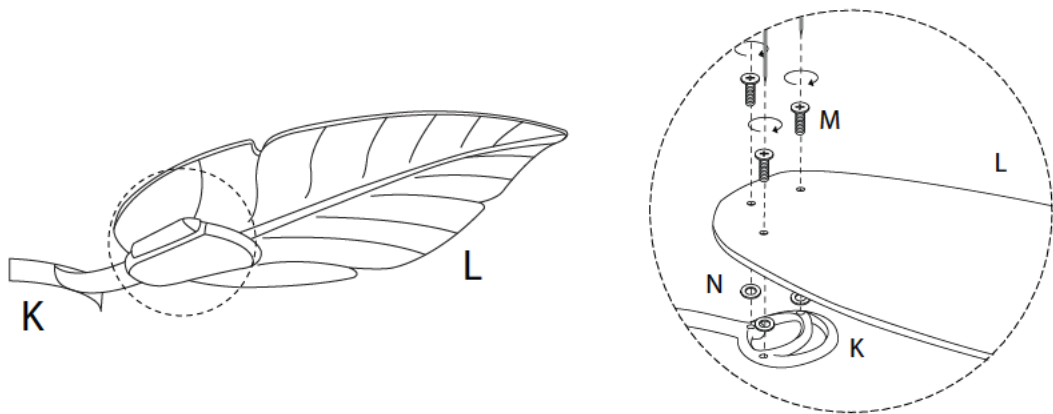
x2



9



10

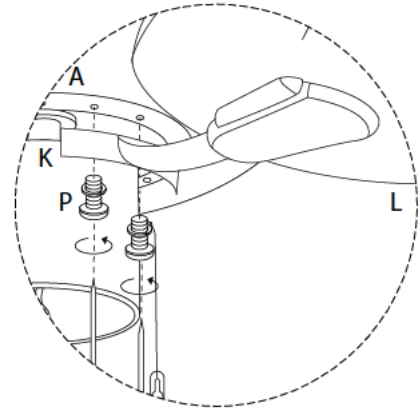
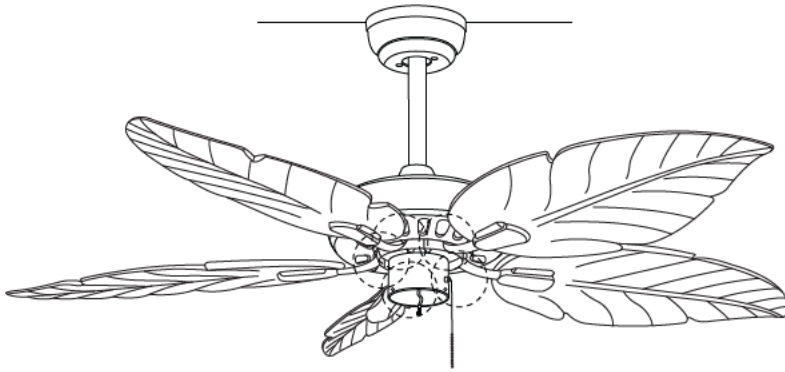


11

P



x 10

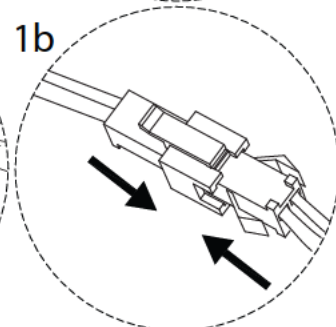
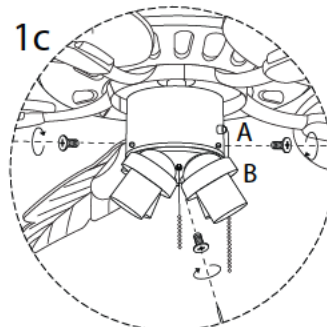
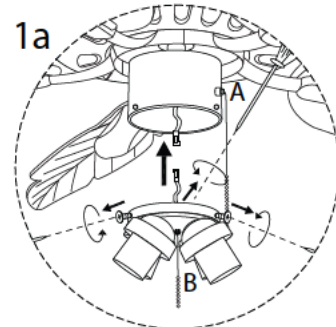
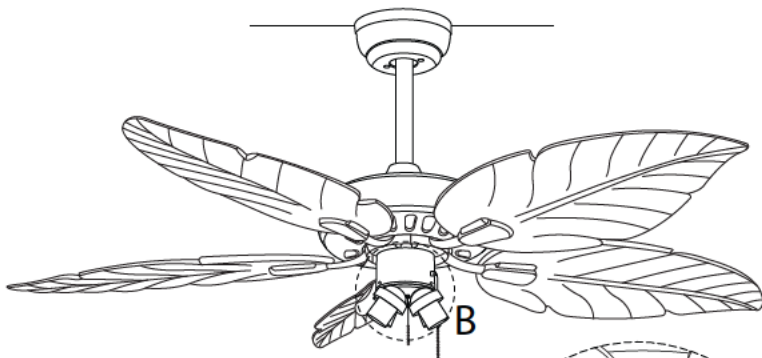


12

B

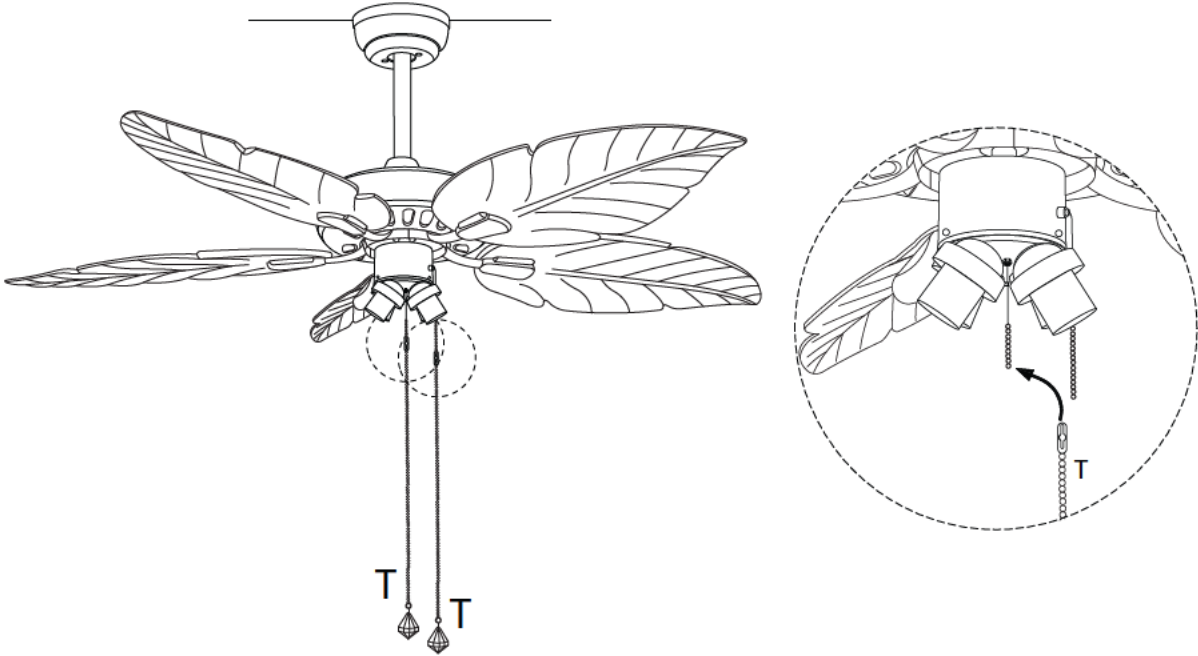


x 1



13

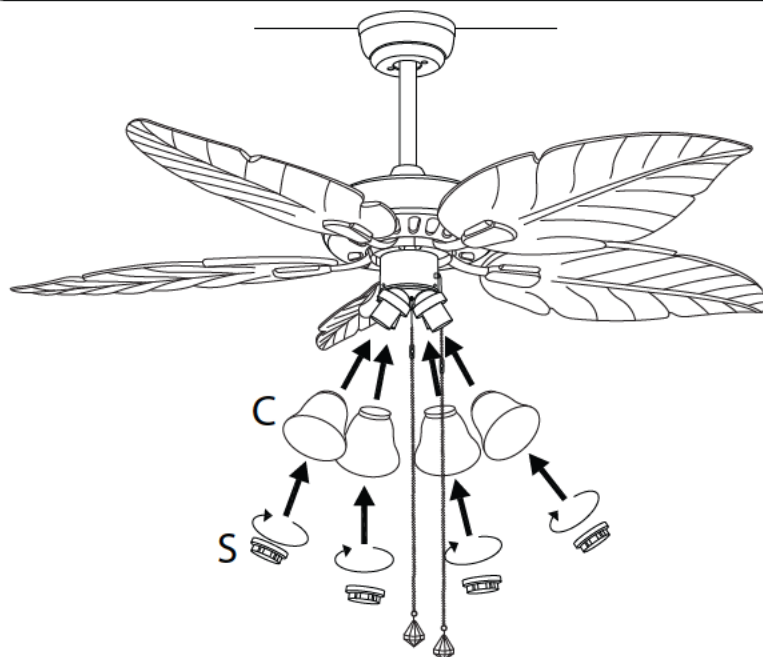
T
x2



14

C
x4

S
x4



15

