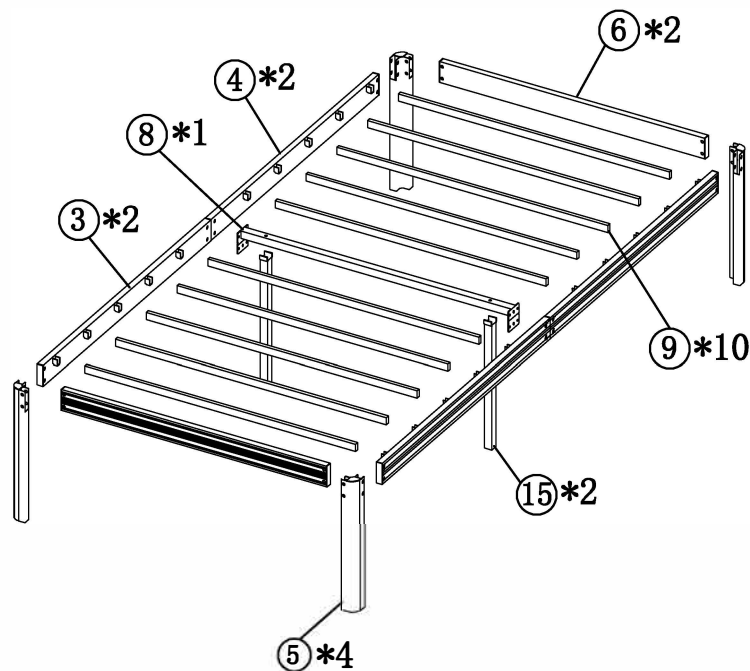
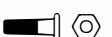
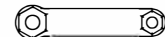
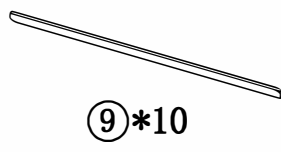
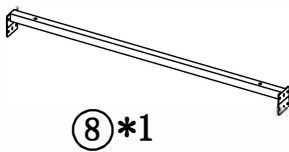
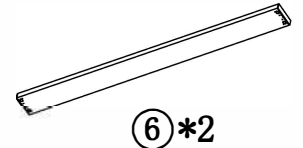
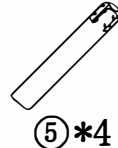
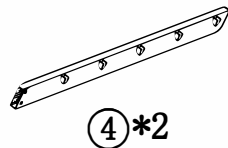
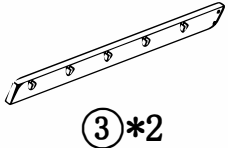


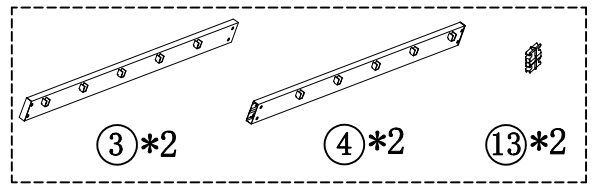
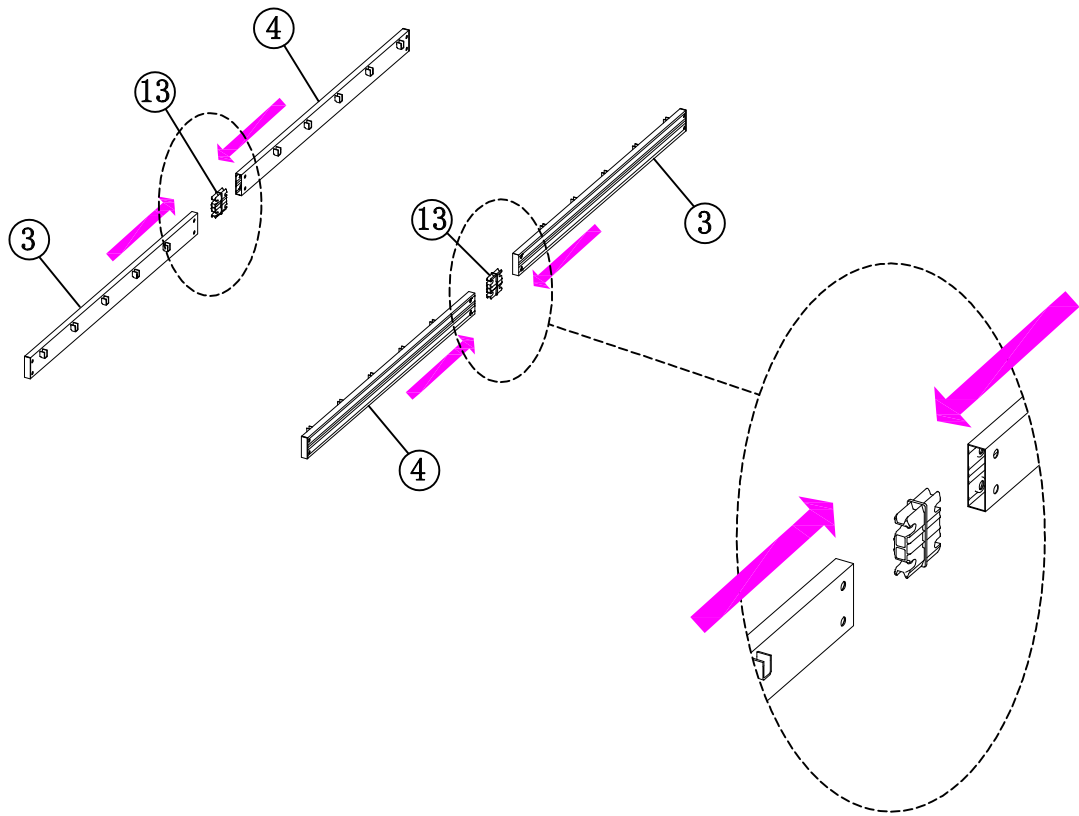
Platform Bed Set-up Instruction

If you have any questions about the product, please don't hesitate to contact us. You can reach us through your order. Thanks for your support!

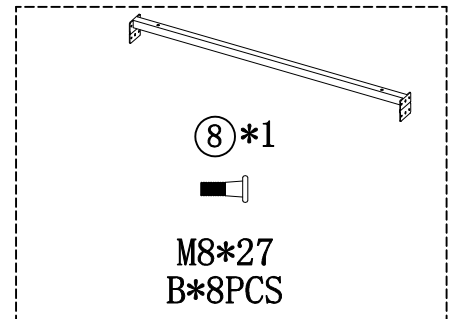
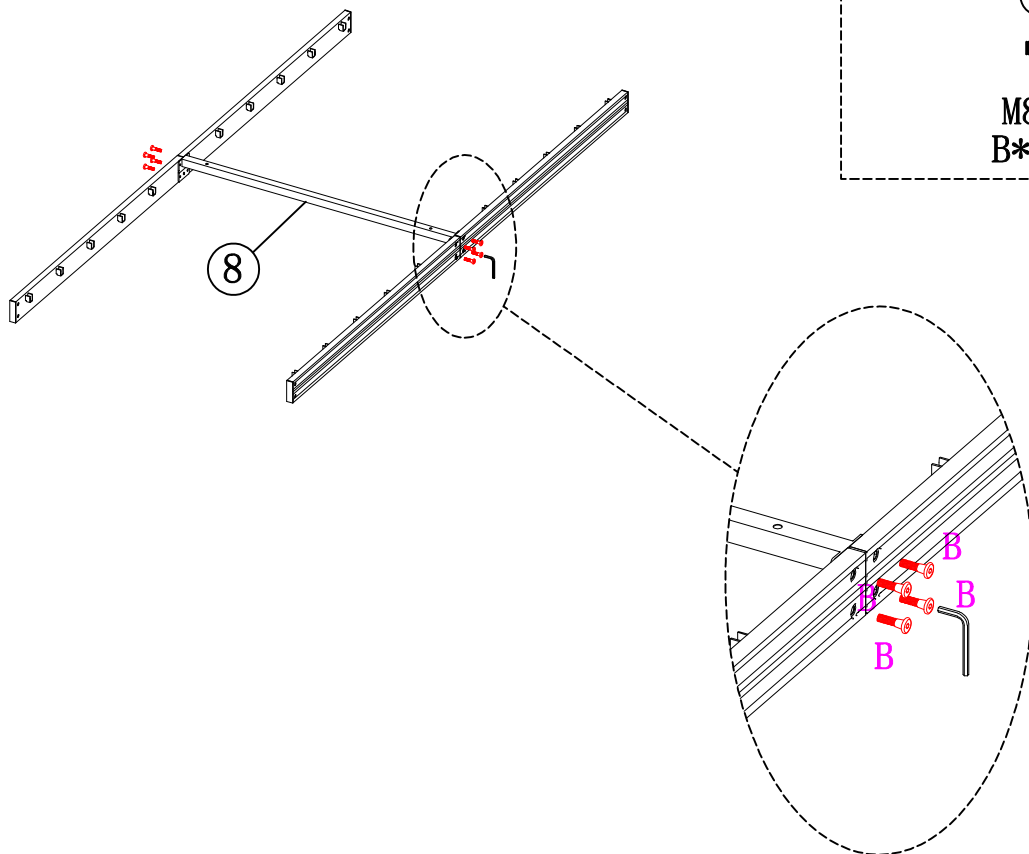


Size: Twin/TwinXL

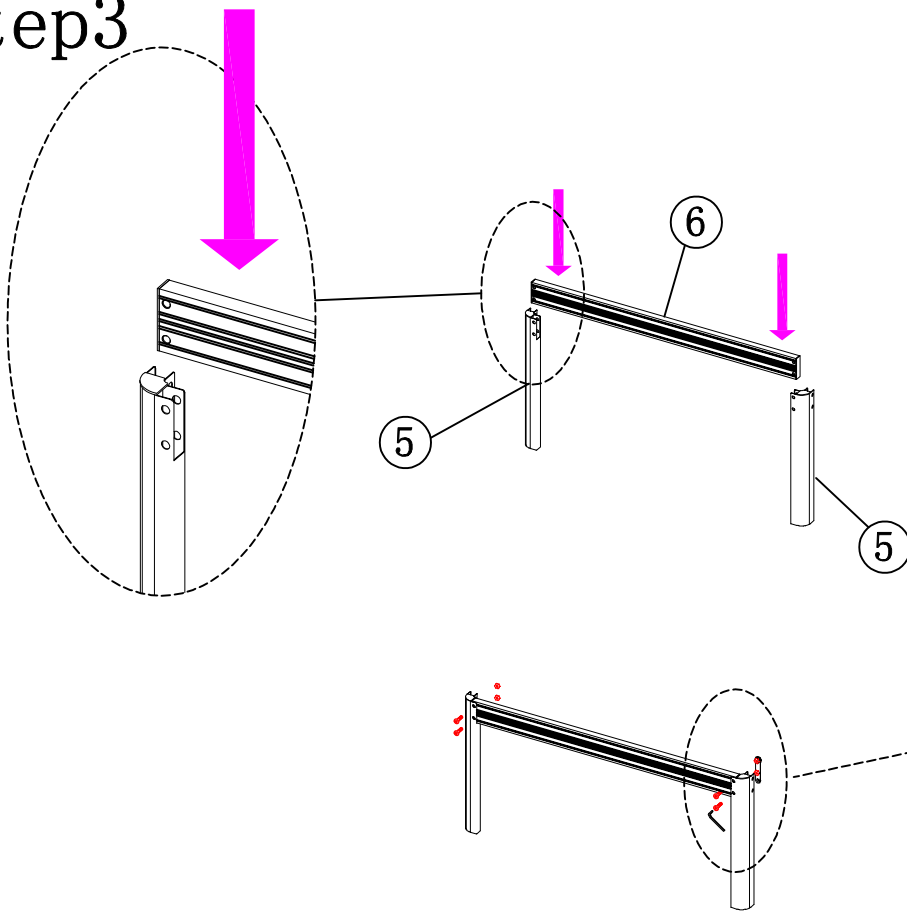
Step1


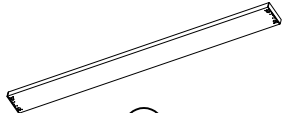
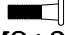



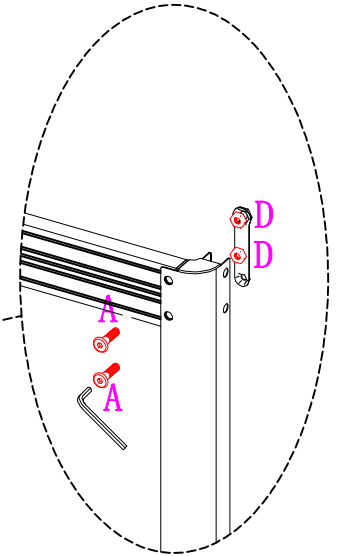
Step2



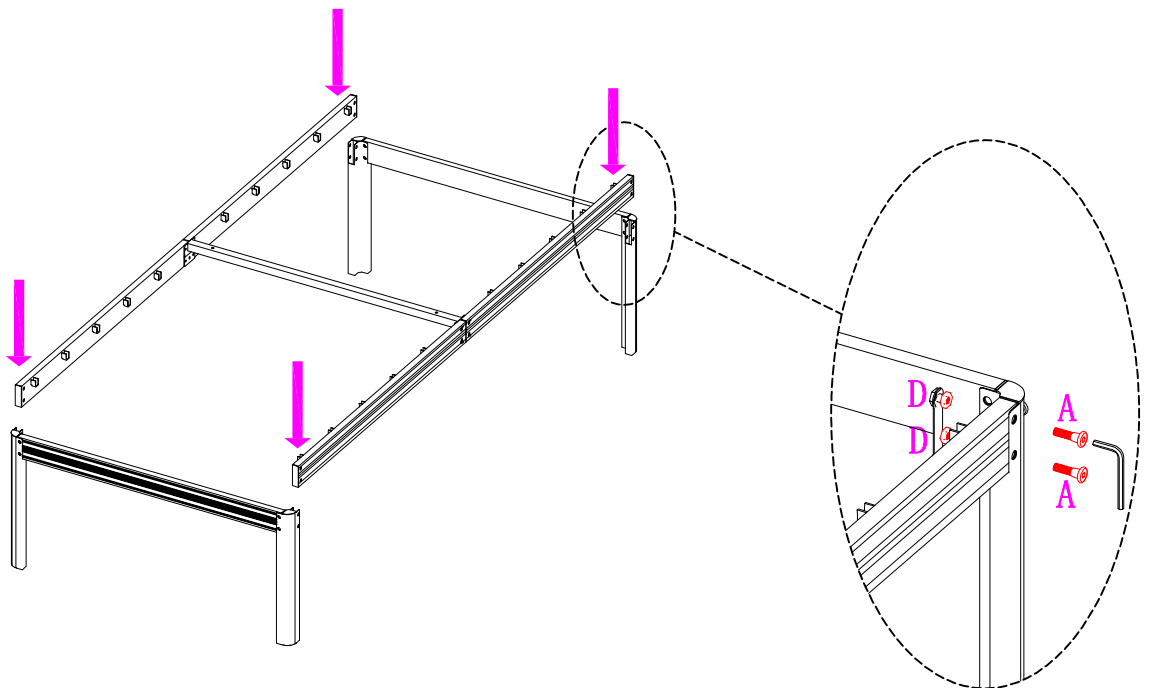
Step3





	
⑤ *4	⑥ *2
 M8*32 A*8PCS	 M8 D*8PCS

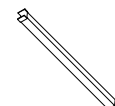


Step4



 M8*32 A*8PCS	 M8 D*8PCS
---	--

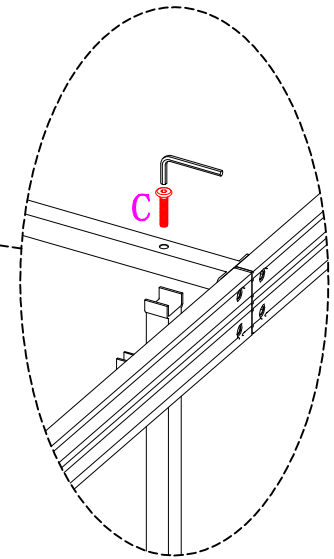
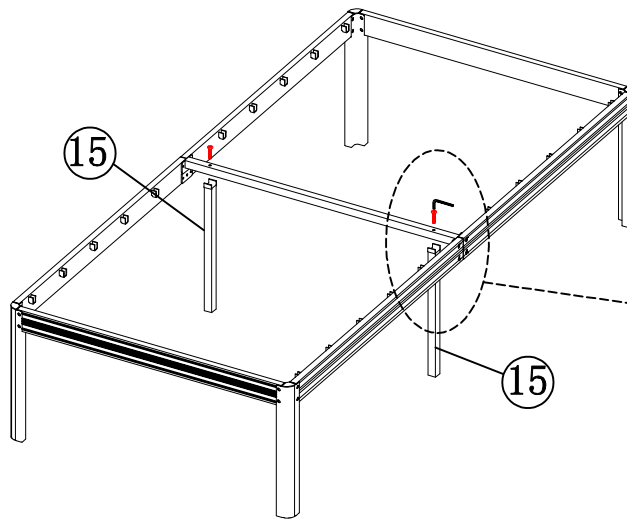
Step5



⑮*2



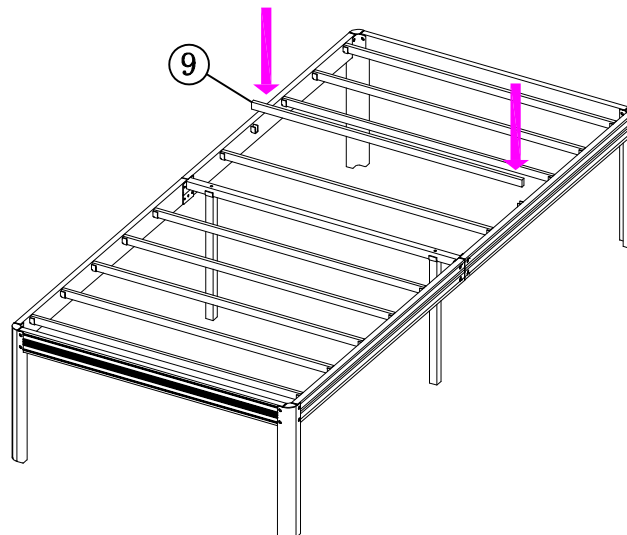
M8*35
C*2PCS



Step6



⑨*10



In the last step. please make sure all the screws are tightened.