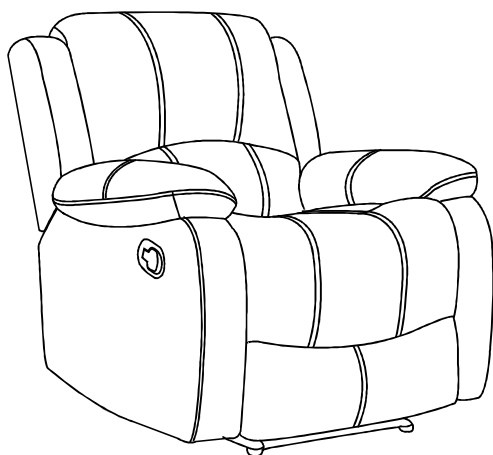
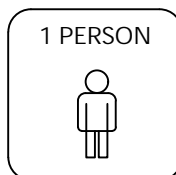


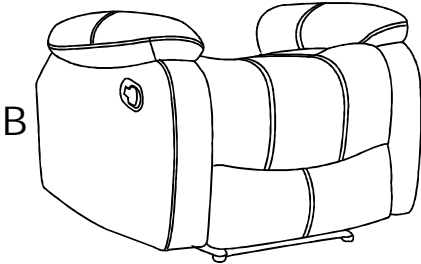
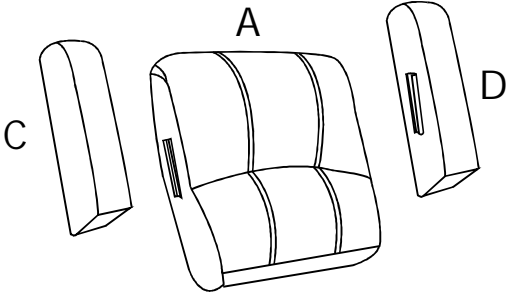
INSTALLATION MANUAL



Weight Limitation
350 LBS



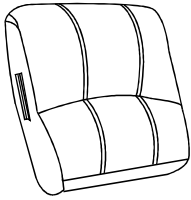
EXPLOSIVE VIEW



PARTS LIST

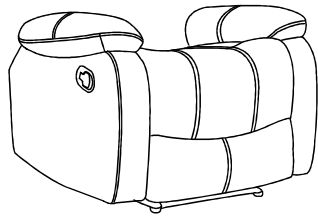
A

QTY 1



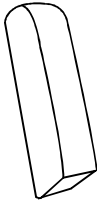
B

QTY 1



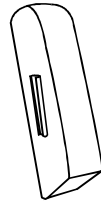
C

QTY 1

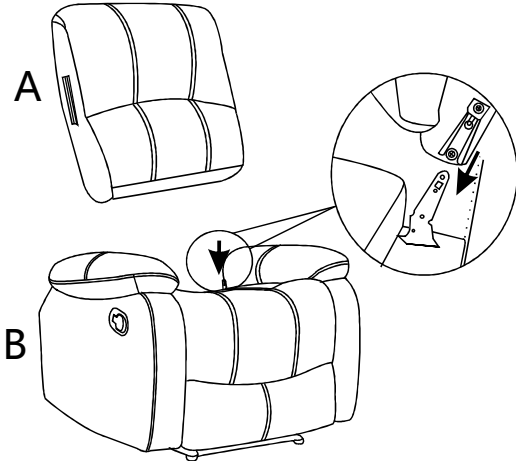


D

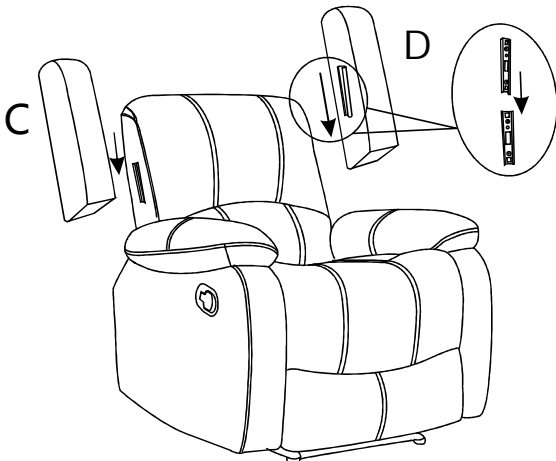
QTY 1



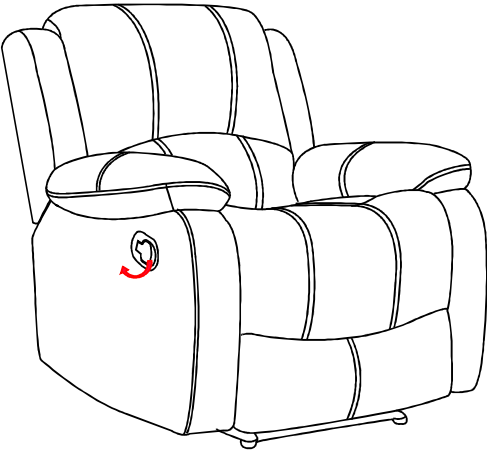
STEP-1



STEP-2



STEP-3



ATTENTION

1. When assembling and using this product, basic safety precautions should always be followed to reduce the risk of personal injury and damage to equipment. Please read all instructions before assembly and use.
2. Check all bolts for tightness before and during usage.
3. Colors may vary slightly from the photo due to lighting and screen settings.

MAINTAINANCE AND WARNING

1. Keep Furniture away from heat sources.
2. Check bolts and screws periodically and tighten them if necessary.
3. This unit is intended for use only with the products and/or maximum weights indicated.
4. Using other products and/or products heavier than the maximum weights indicated may result in instability or cause possible injury.
5. Do not clean furniture with harsh cleaners or polishes. Do not use detergents, Solvents, abrasives, spray packs, or leather cleaner. Use a mild non-color soap mixed with warm water (1:10 soap to water) to clean spills.
6. Do not place furniture under direct sunlight, material may fade over time.
7. Do not use an on-site dry cleaning machine.
8. Children should not climb or jump on the furniture.
9. Do not write on furniture that is not protected by a padded barrier.

WARRANTY

1. Our commitment is to deliver exceptional products and ensure the utmost satisfaction for every customer.
2. We go the extra mile to meet your specific product or service needs.
3. Thank you for purchasing our product.

We are committed to providing excellent after-sales service to ensure your satisfaction.

4. If you have any questions, please feel free to contact us at any time.
Thank you!

Thank you for choosing our products.