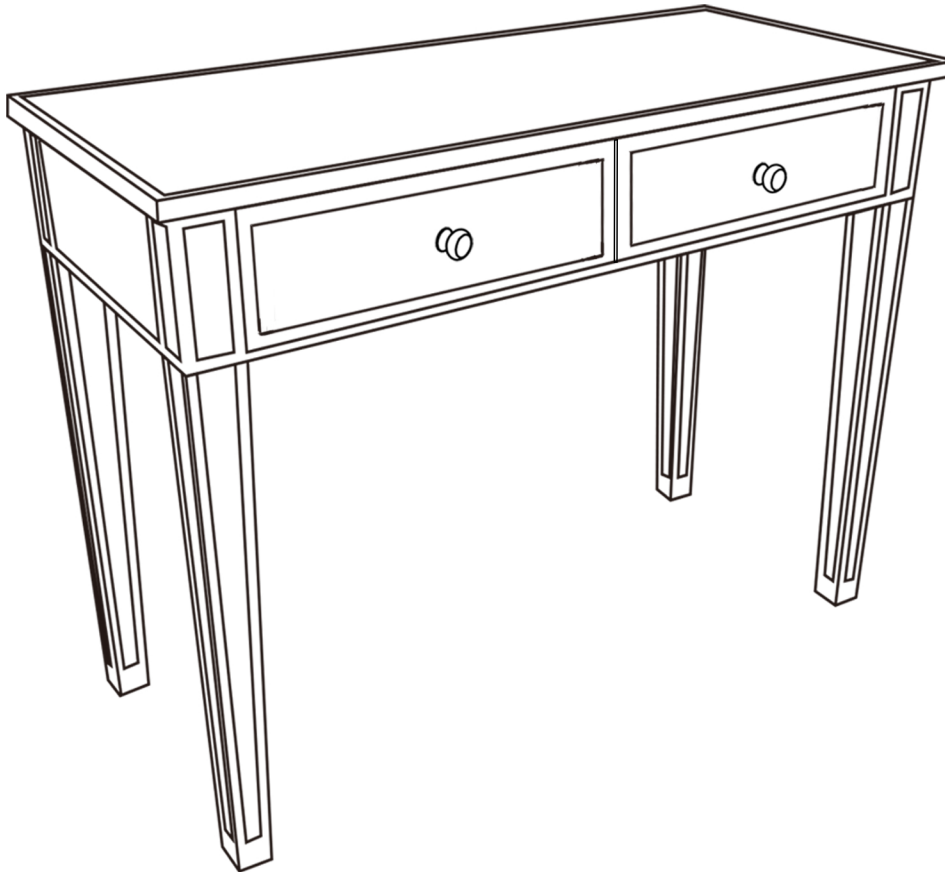


# Assembly Instruction



## **WARNING**



Children have died from furniture tipover. To reduce the risk of furniture tipover:







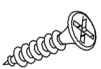

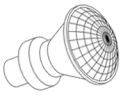


- ALWAYS install tipover restraint provided.
- NEVER put a TV on this product.
- NEVER allow children to stand, climb or hang on drawers, doors, or shelves.
- NEVER open more than one drawer at a time.
- Place heaviest items in the lowest drawers.
- Do not defeat or remove the drawer interlock system.

This is a permanent label.

Do not remove!

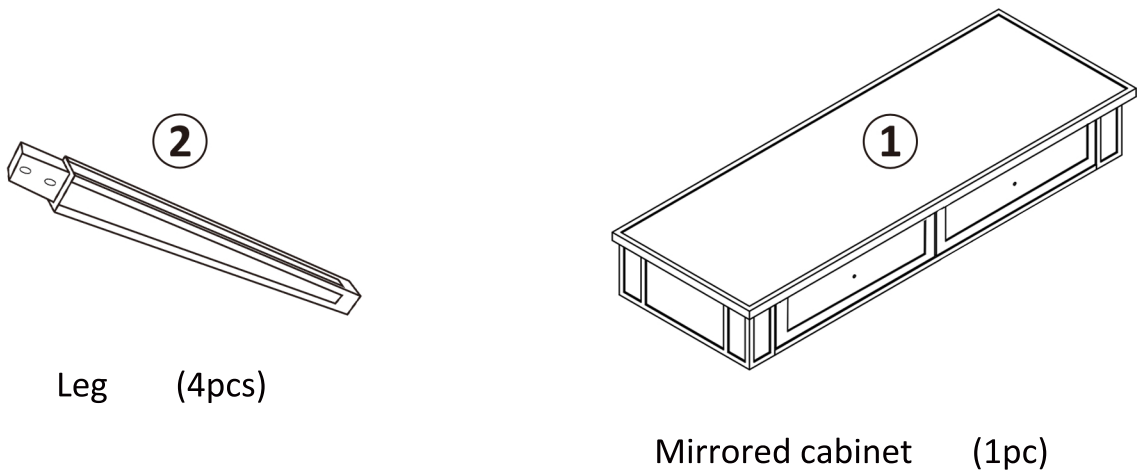
## Hardware List

---

A		Bolt	8pcs			Allen wrench	1pc
C		Anchor	1pc			Eyelet Screw	1pc
E		Washer	8pcs			Cable tie	1pc
G		Short screw	2pcs			Screw for knob	2pcs
I		Knob	2pcs			Polishing cloth	1pc
K		Plastic bracket	1pc				

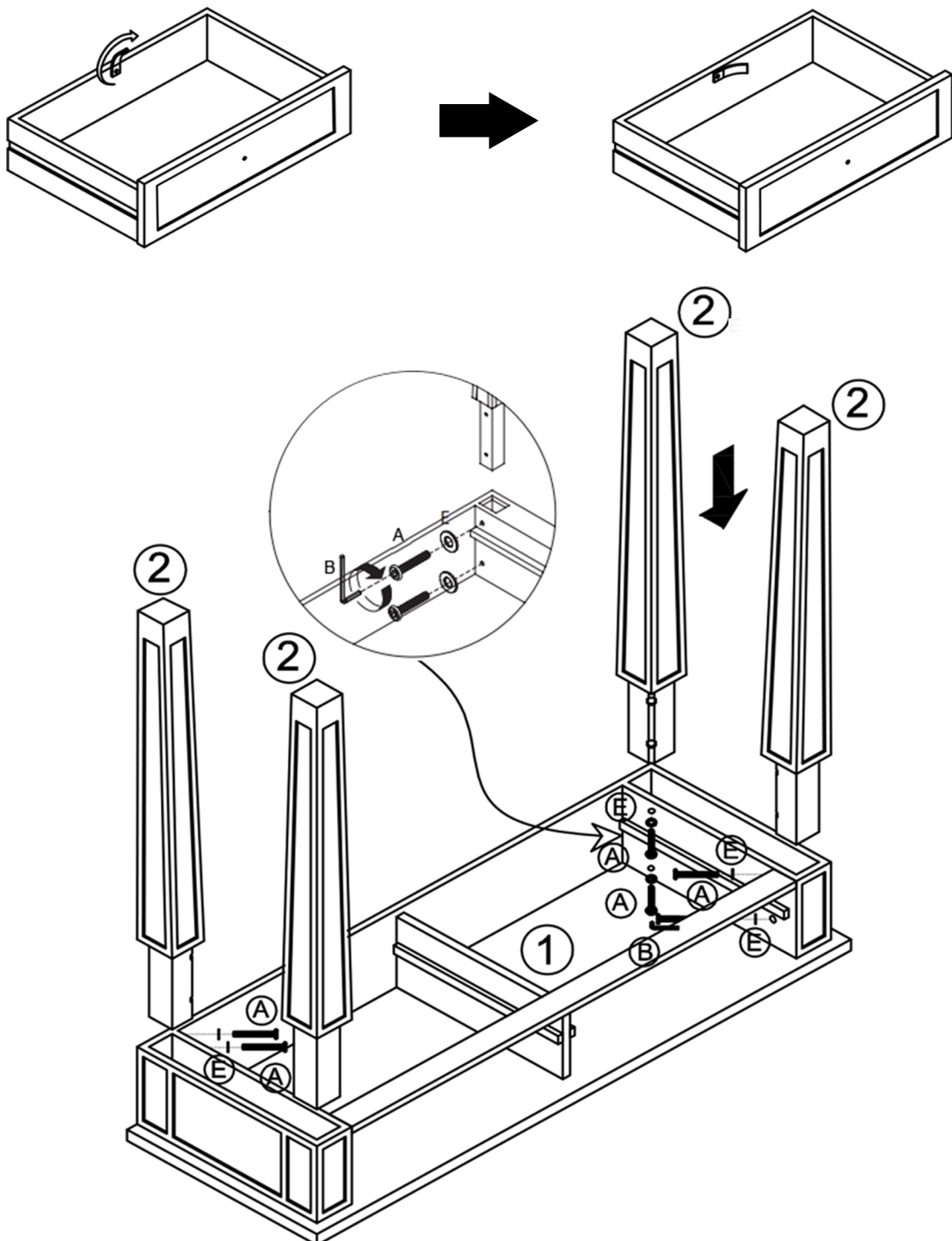
## Panel List

---



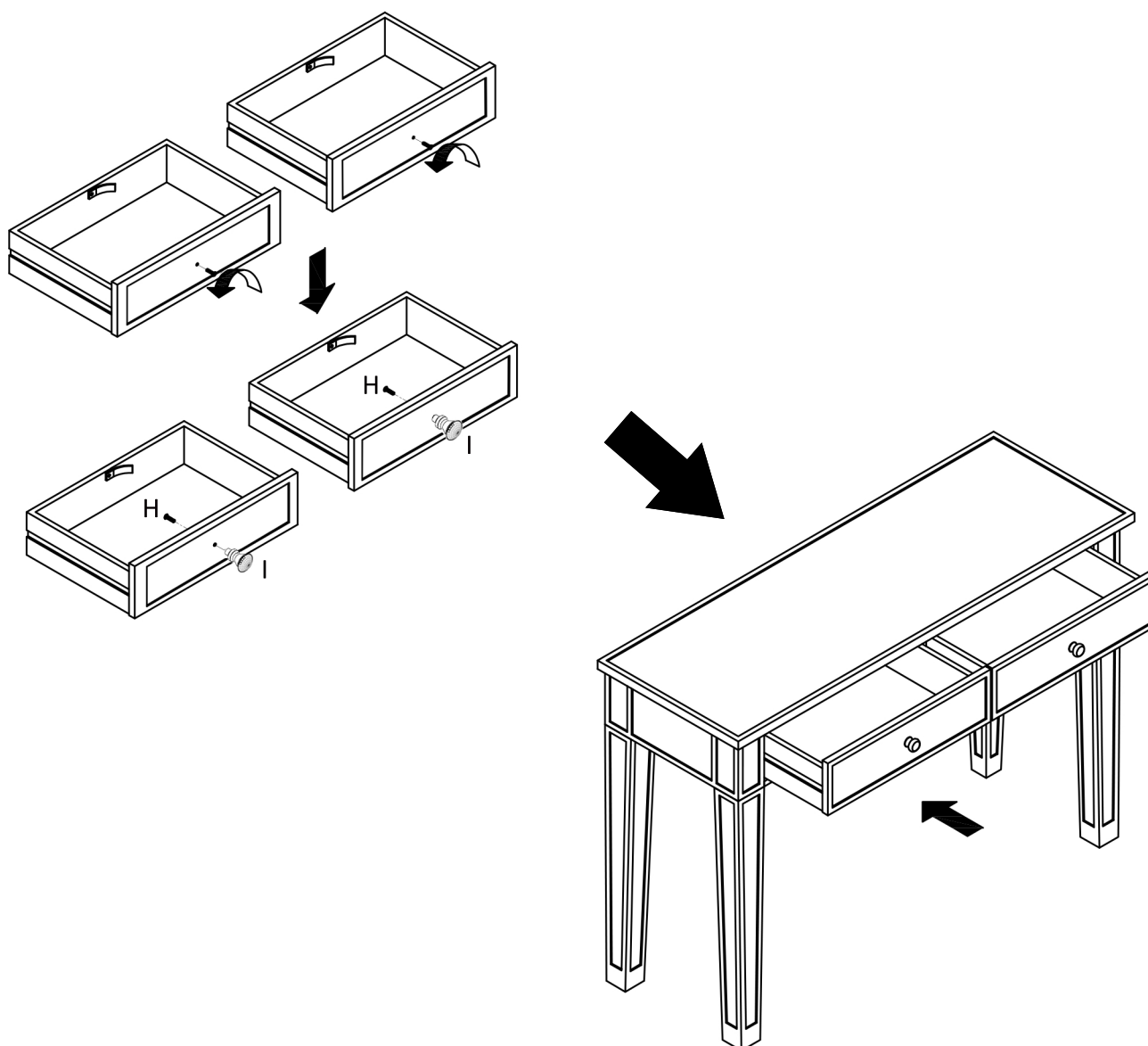
## Step1

- 1.Remove drawers from table top ① make sure to turn drawer stopper to the horizontal direction as shown,so that drawers can be removed.
- 2.Face down the mirrored cabinet ① on the soft carpet, then connect legs ② to table top as shown using bolts(A),washers(E) and allen wrench(B).



## Step2

1. Move knob(I) from inside of drawer to outside of drawer using screwdriver.
2. Move screw(H) from outside of drawer to inside of drawer.
3. Put drawers into table top and turn drawer stopper to vertical direction as shown.



## Step3

1. Connect plastic bracket(K) to back of the unit as shown using short screw(G).
2. Insert cable tie(F) into plastic bracket(K) as shown.
3. Drill hole slightly and insert anchor(C) into drywall and gently tap anchor(C) into hole.
4. Insert eyelet screw(D) into anchor(C) and fastern unit to wall using cable tie(F).

