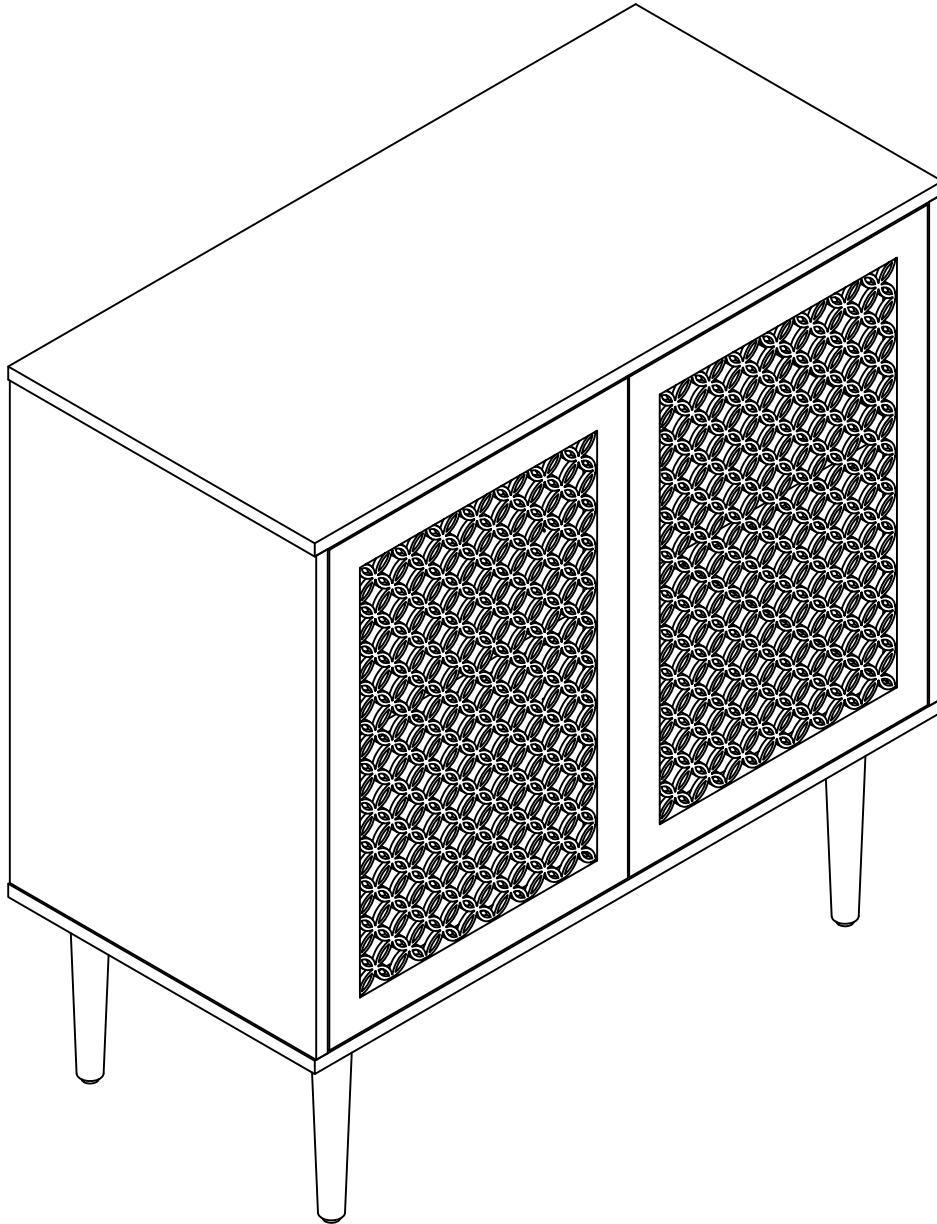


# Owner Manual



---

## NOTE:

This brochure contains IMPORTANT safety info. Please read and keep for future reference.

---

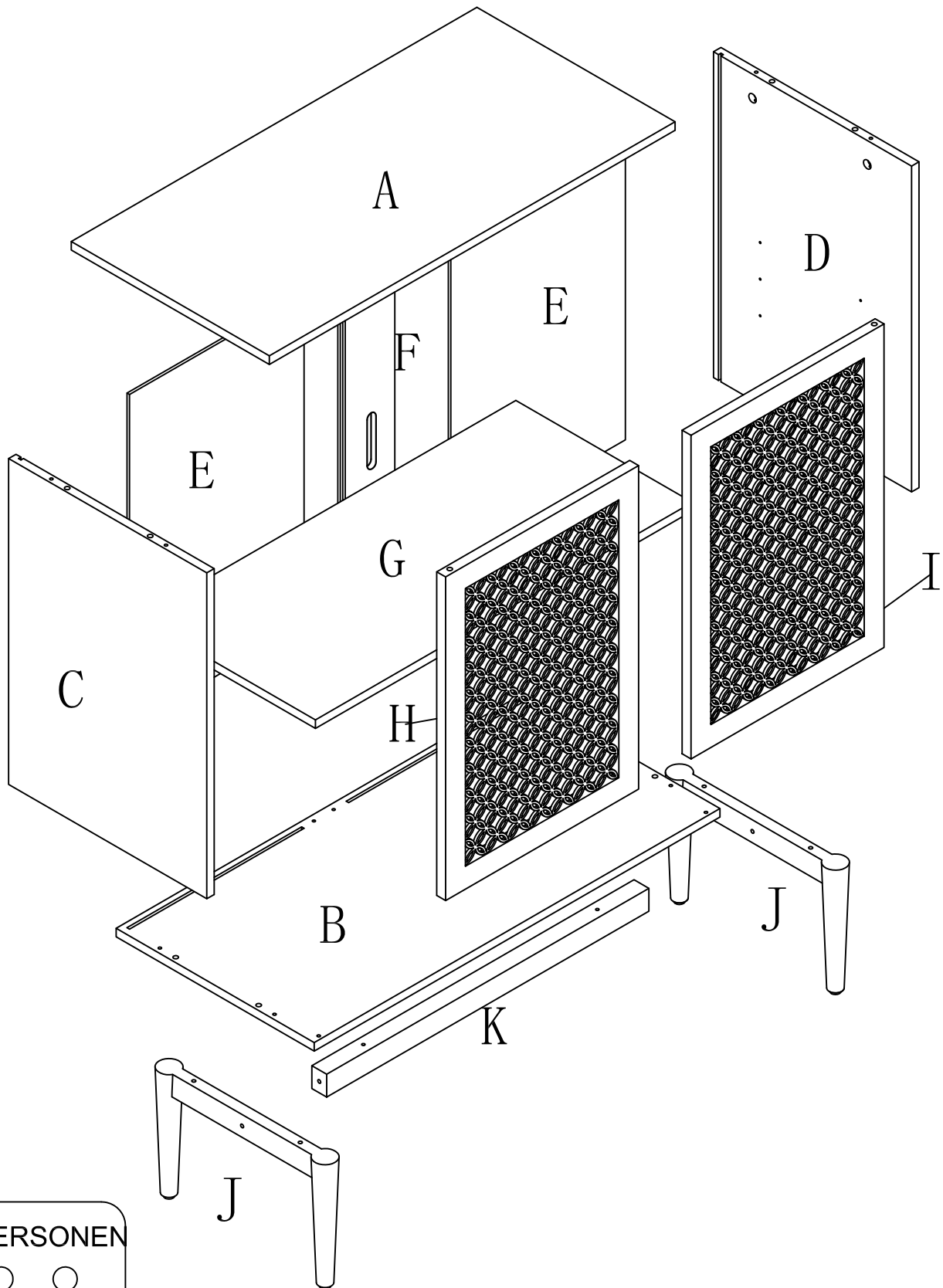
# MAINTAINANCE AND WARNING

- 1.Keep furniture away from heat sources.
- 2.Do not clean furniture with harsh cleaner or polishes.Do not use detergents,solvents,abrasives,spray packs or leather cleaner. Use non-color mild soap with warm water to clean spills(Mix 1:10 soap to water).
- 3.Do not place furniture under direct sunlight,material will possibly fade over time.
- 4.Do not use on site dry cleaning machine.Children should not climb or jump on the furniture.
- 5.Do not write on furniture that is not protectedby a padded barrier.
- 6.Not for commercial use,only for residential use.

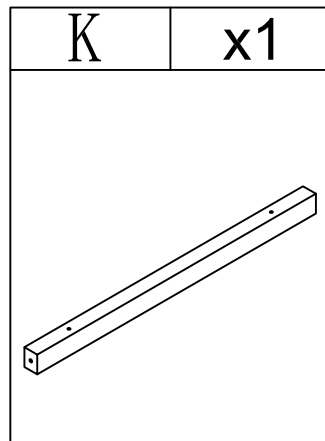
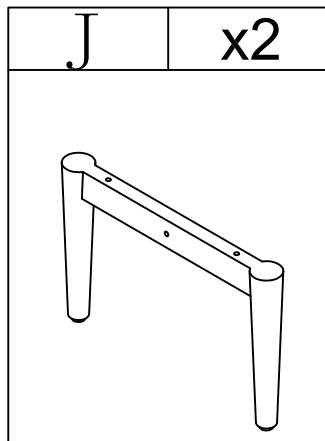
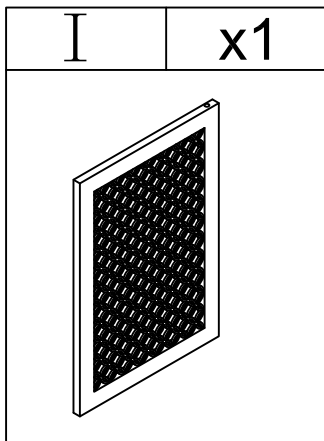
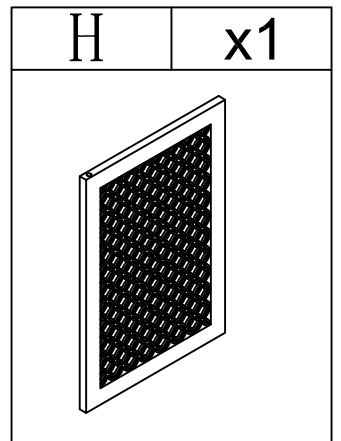
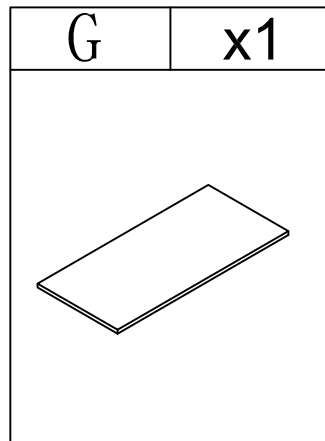
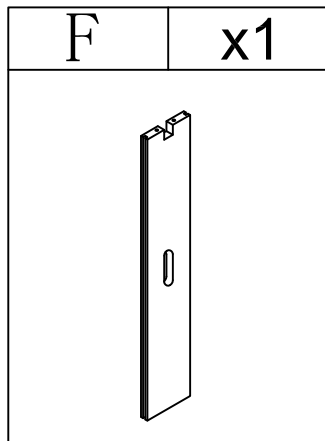
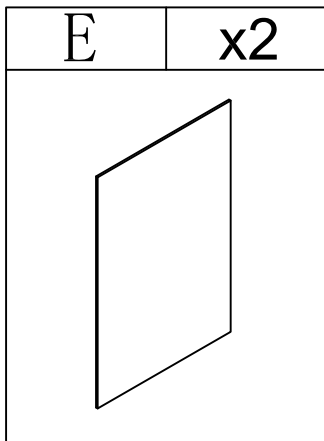
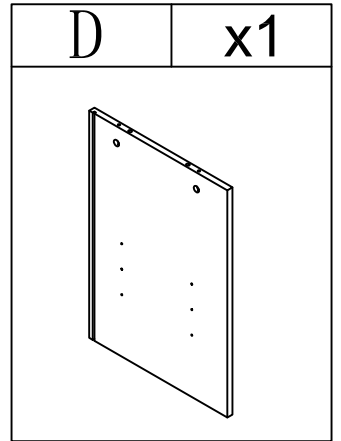
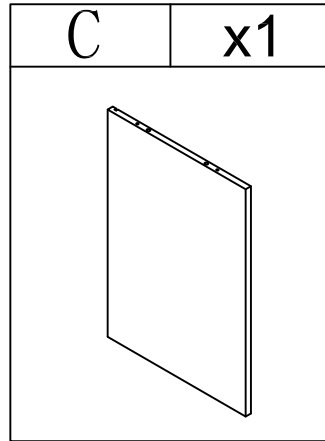
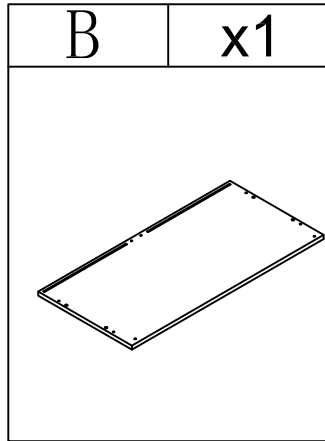
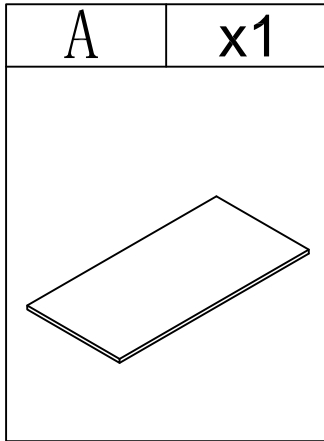


Weight Limitation  
**100 LBS**





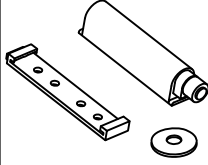



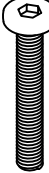






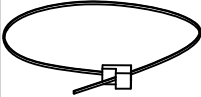
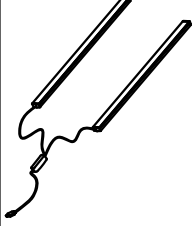
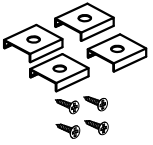
# EXPLOSIVE VIEW



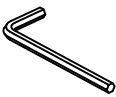
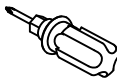
# PARTS LIST



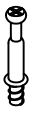


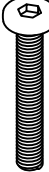


# HARDWARE LIST

#1	x6	#2	x9	#3	x6	#4	x5	#5	x2	#6	x22
											
Ø6*35mm		Ø8*30mm		Ø15*11mm		Ø7*50mm				Ø3.5*14mm	
#7	x12	#8	x4	#9	x6	#10	x2	#11	x4	#12	x6
											
				Ø6*50mm		Ø6*40mm		Ø4*35mm		Ø20mm	
#13	x4	#14	x4	#15	x4	#16	x2	#17	x1		
											
				Ø8*30mm							

# TOOL LIST

#19	x1	#20	x1
			
M4			

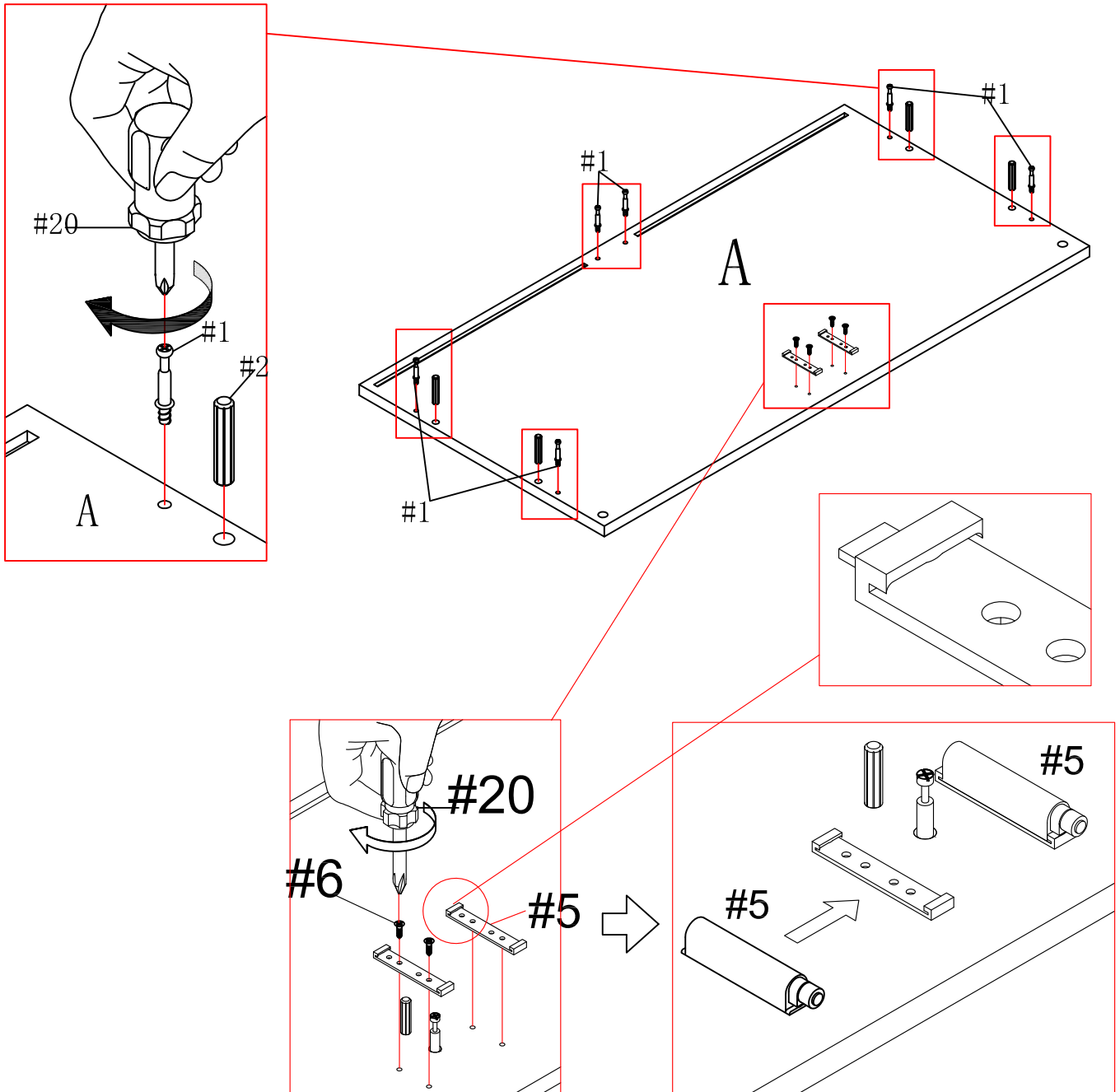
# HARDWARE SPARE LIST

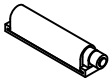



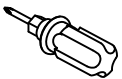
#1	x1	#4	x1	#6	x2	#9	x1	#10	x1	#11	x1
											
Ø6*35mm		Ø7*50mm		Ø3.5*14mm		Ø6*50mm		Ø6*40mm		Ø4*35mm	

# ASSEMBLY INSTRUCTIONS

## STEP-1

1.Prepare for part A. Align the holes in part A, insert wooden dowel #2 by hand, tighten with screwdriver #20 tighten #1。

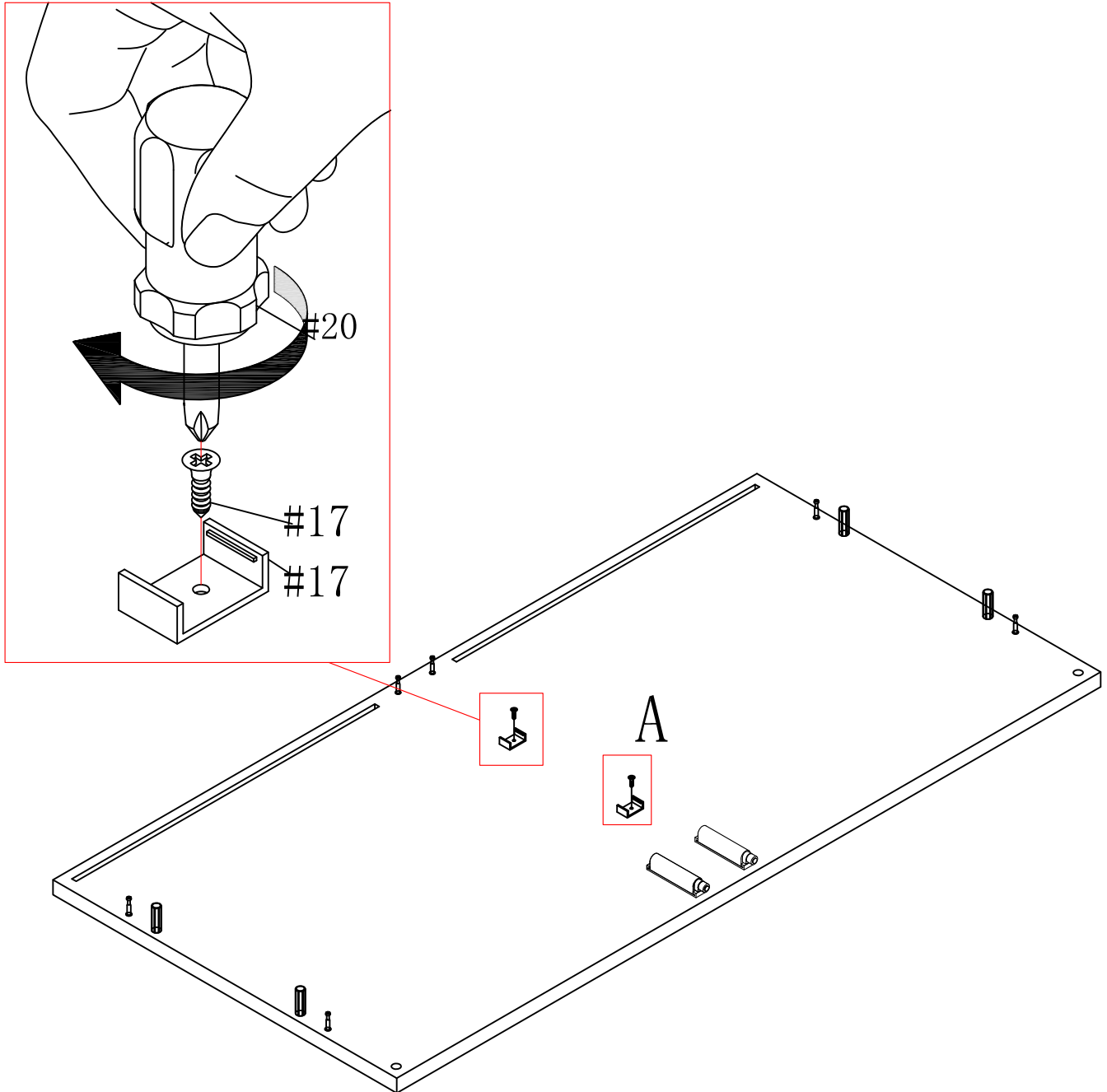


#5	x2	#6	x4	#1	x6	#2	x4	#20	x1
									
		Ø3.5*14mm		Ø6*35mm		Ø8*30mm			

# ASSEMBLY INSTRUCTIONS

## STEP-2

Use screws #17 to install the light strip base on panel A, and use screwdriver #20 to tighten screws #17.

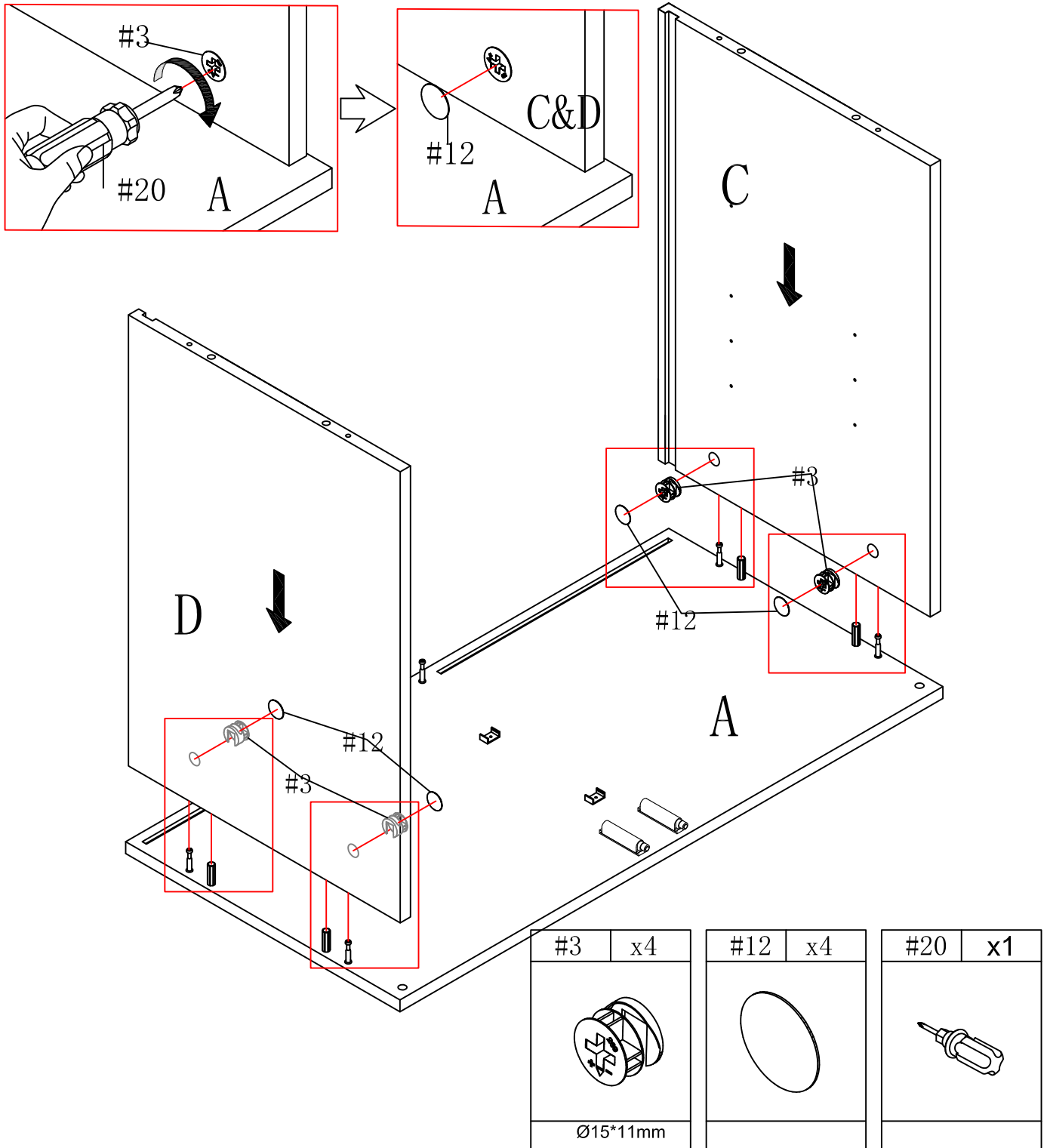


#17	x1	#20	x1

# ASSEMBLY INSTRUCTIONS

## STEP-3

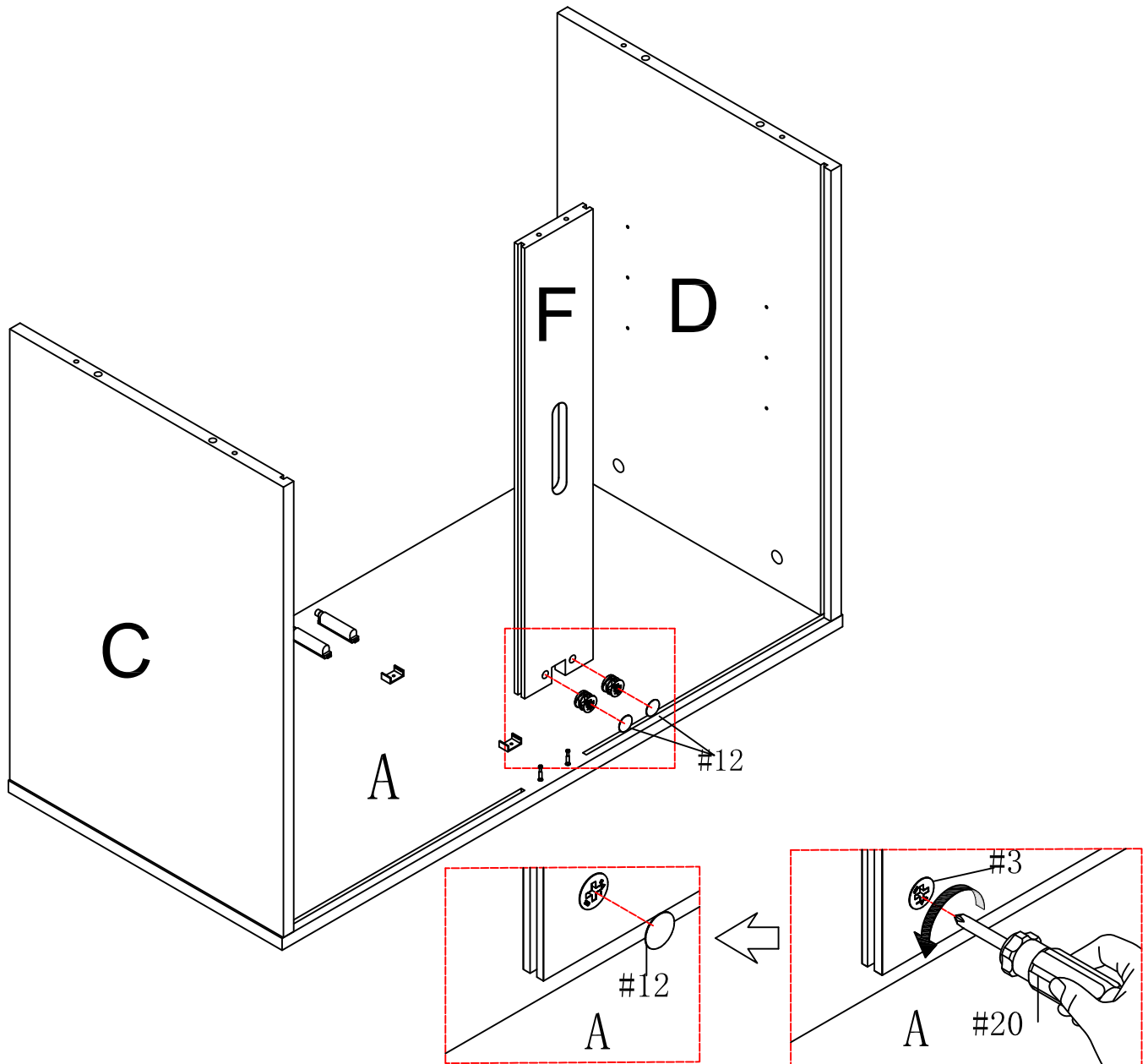
1. Connect the part A with part C&D. align the hole in the part C&D, insert the bolt #1 and wooden dowel #2 in part A into part C&D. insert cam bolt #3 into the corresponding hole of side panel C&D, and tighten the nuts #3 with a screwdriver #20. After installation, cover the screw holes with #12. Make sure the groove is in same side as picture show.

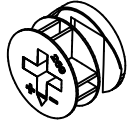




# ASSEMBLY INSTRUCTIONS

## STEP-4

1. Connect the part A with part F. align the hole in the part F, insert the bolt #1 and wooden dowel #2 in part A into part F. insert cam bolt #3 into the corresponding hole of side panel F, and tighten the nuts #3 with a screwdriver #20. After installation, cover the screw holes with #13. Make sure the groove is in same side as picture show.

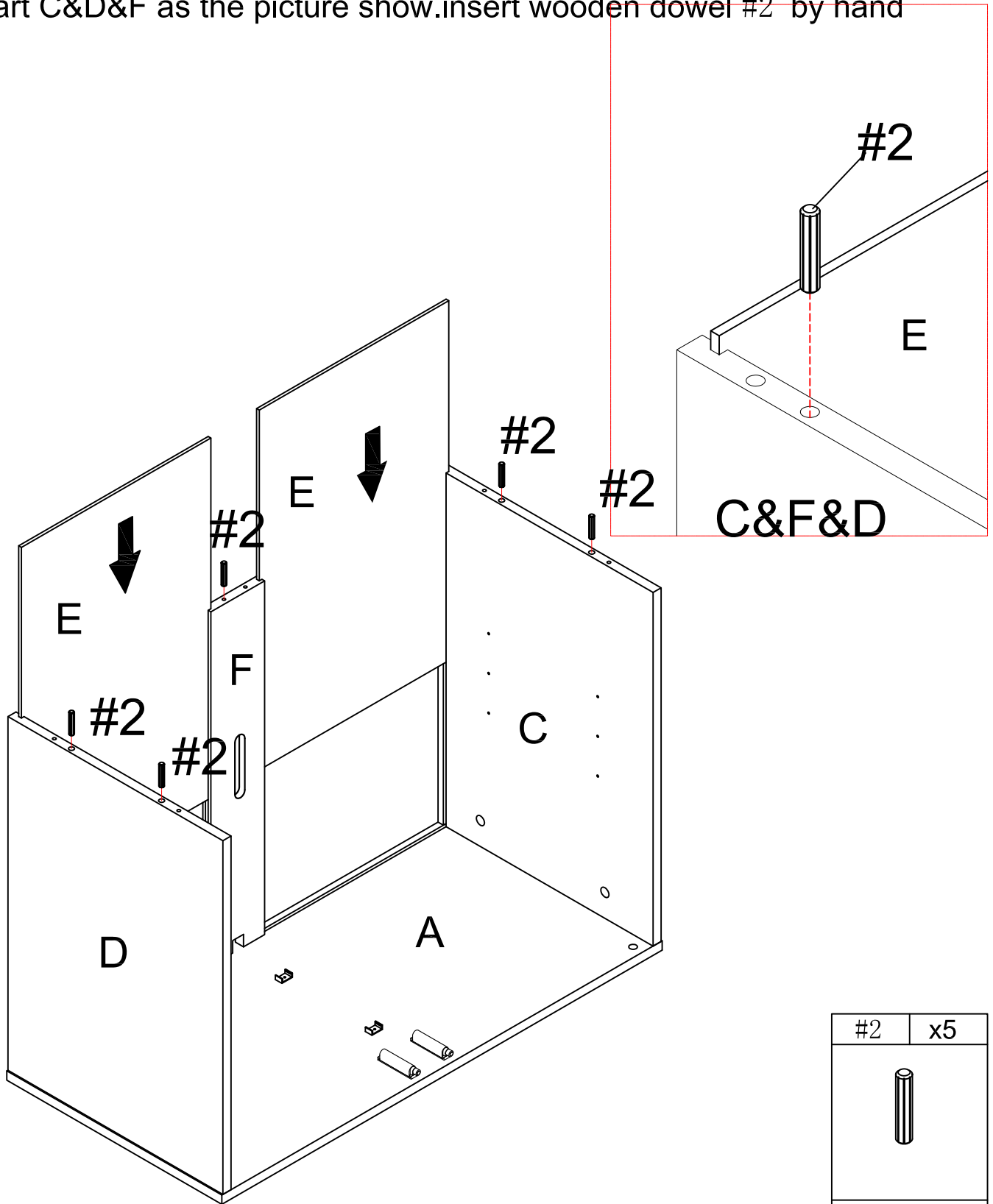



#3	x2	#12	x2	#20	x1
					
Ø15*12mm		Ø20mm			

# ASSEMBLY INSTRUCTIONS

## STEP-5

1. slide in the part E into the groove in part D,F and C,F . make sure they are also in groove in part A. Insert the wooden dowel #2 into the part C&D&F as the picture show. insert wooden dowel #2 by hand

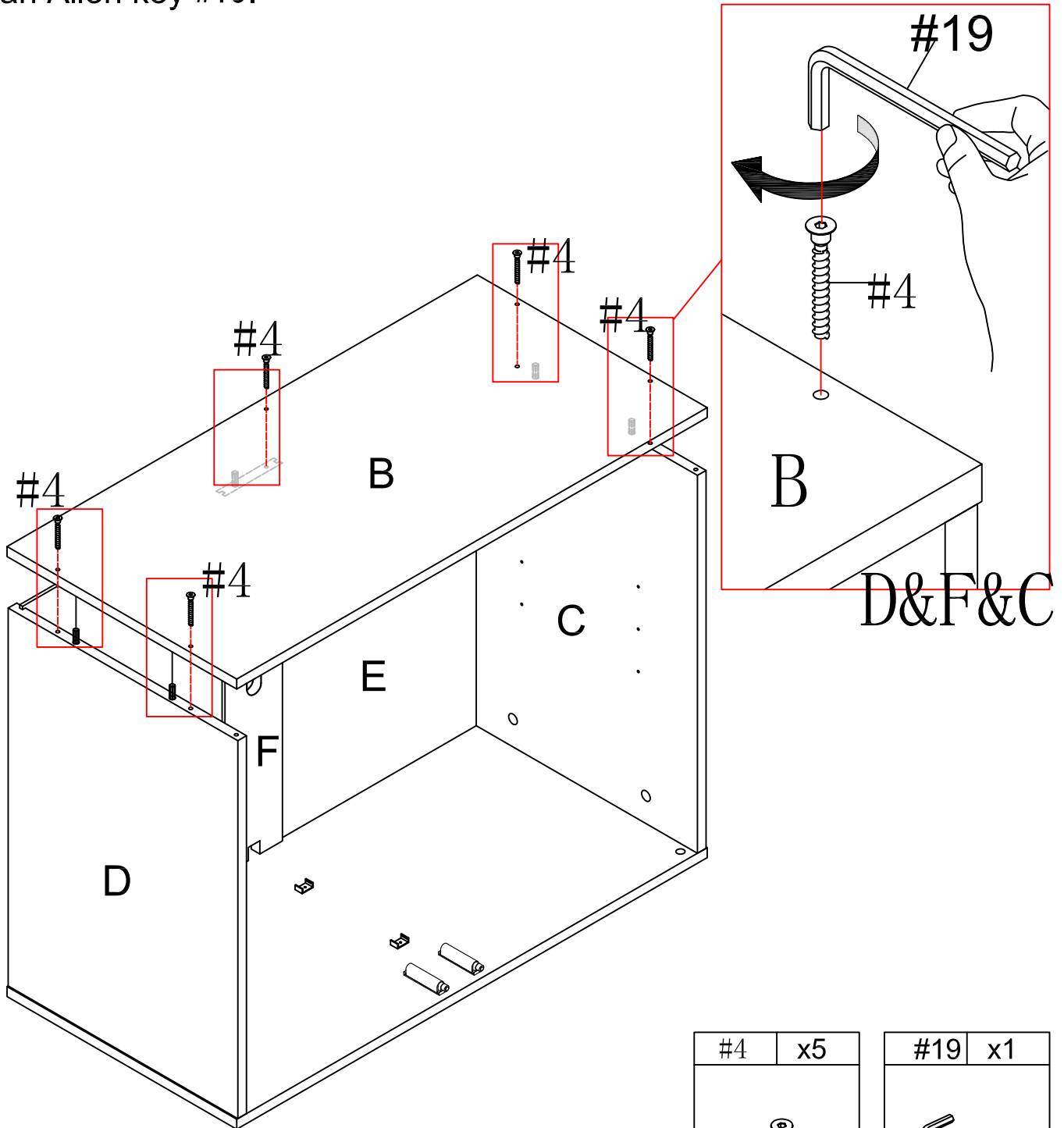



#2	x5
	
Ø8*30mm	

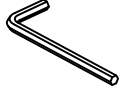
# ASSEMBLY INSTRUCTIONS

## STEP-6

1. Connect the part B the pre-assembled unit in step 5. Then align the holes in part B, Insert screw #4 and push it down so that it connects to parts C&D&F. Next, and tighten the screw #4 with an Allen key #19.



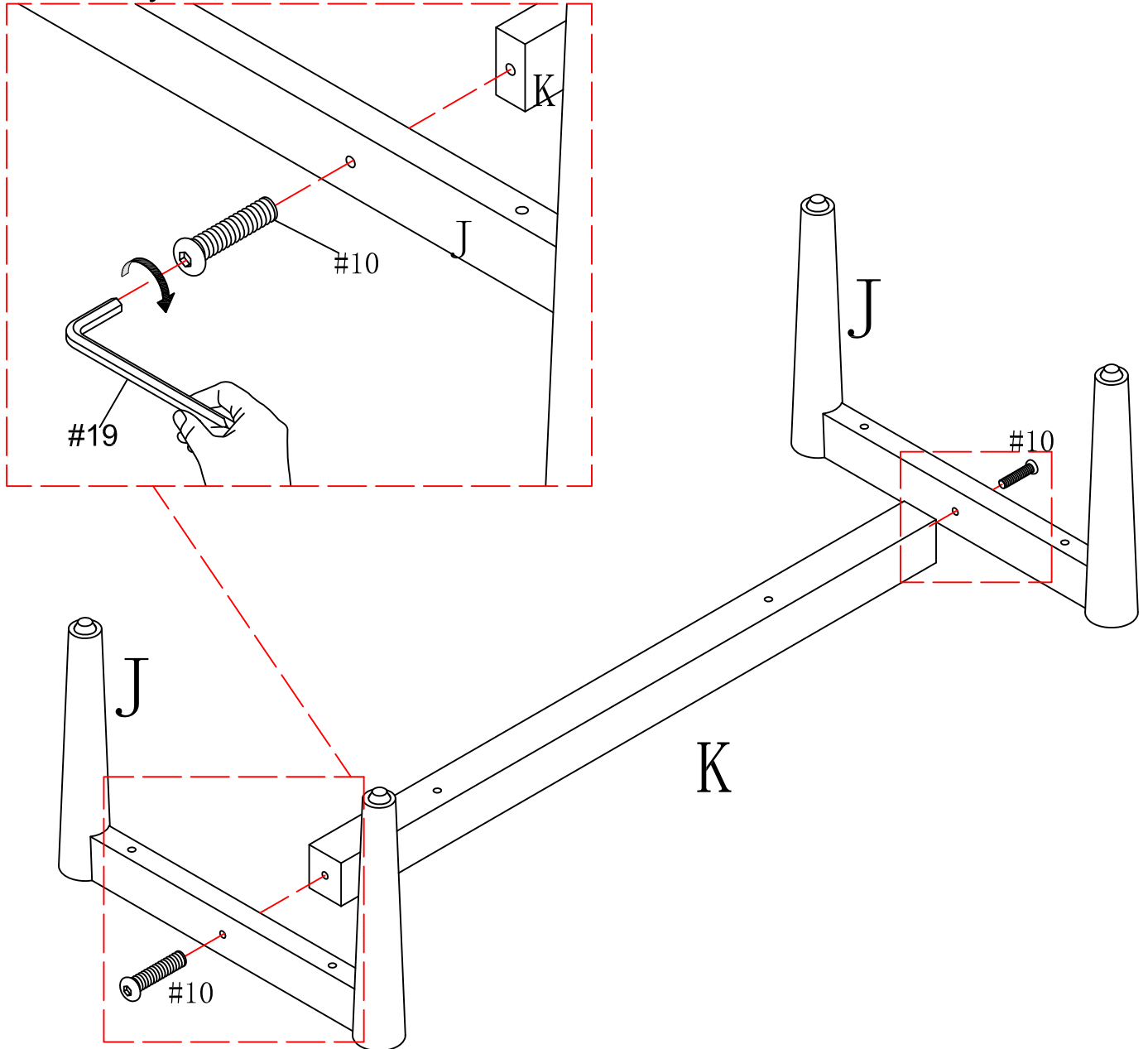
#4	x5
	
Ø7*50mm	

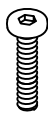

#19	x1
	
M4	

# ASSEMBLY INSTRUCTIONS

## STEP-7

1.Prepare the leg racks. Align the holes of the J part with the holes of the K part, insert the screw #10, and tighten the screw #10 with the allen key #19.

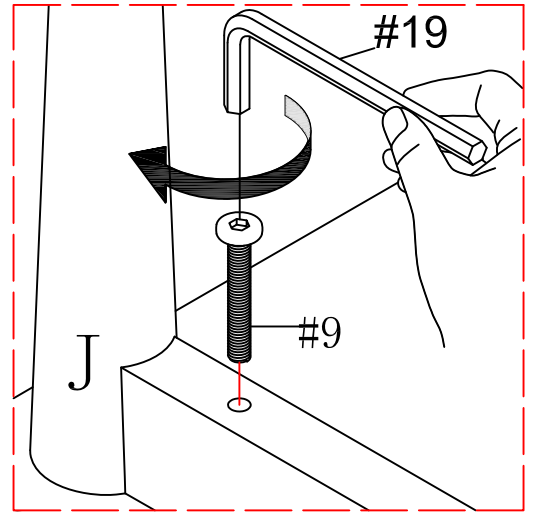
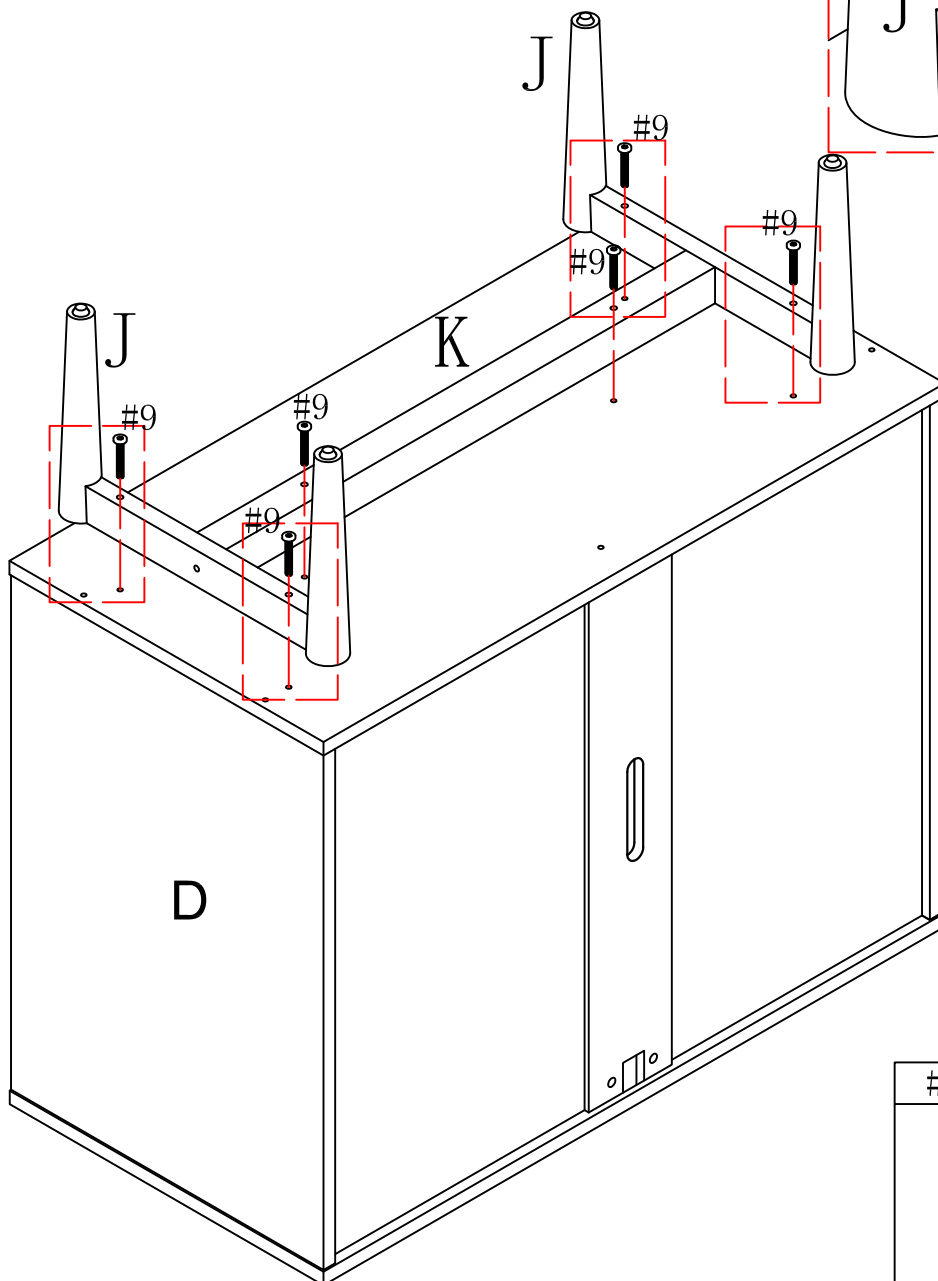


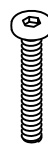
#10	x2	#19	x1
			
Ø6*40mm		M4	


# ASSEMBLY INSTRUCTIONS

## STEP-8

1. connect the leg frame to the cabinet. Attach the leg frame to the pre-assembled unit in step 7 with a screw #9 and tighten #9 with a allen key #19.

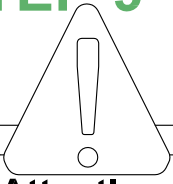


#9	x6
	
Ø6*50mm	

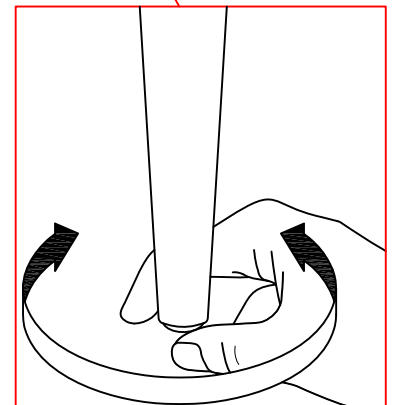
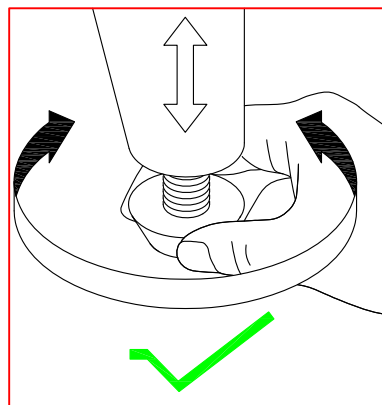
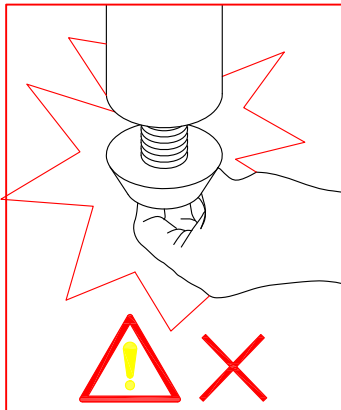
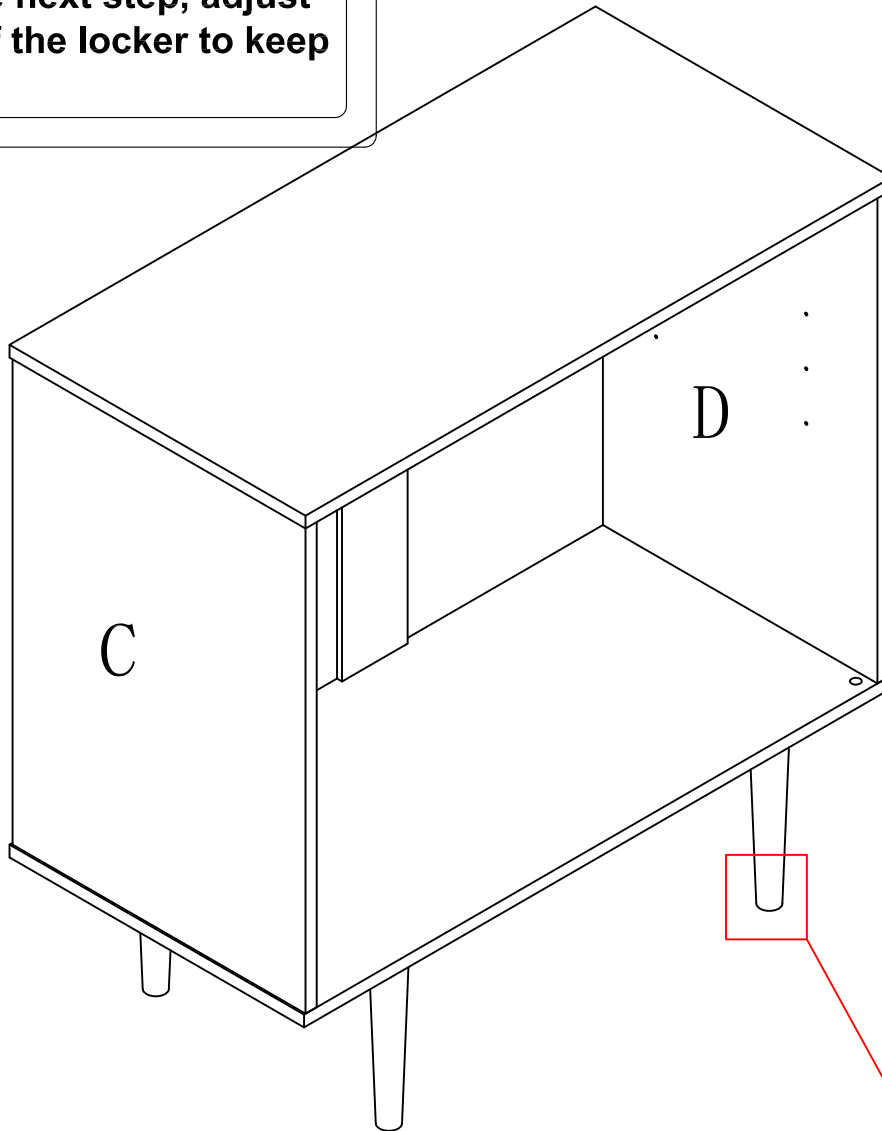
#19	x1
	
M4	

# ASSEMBLY INSTRUCTIONS

## STEP-9



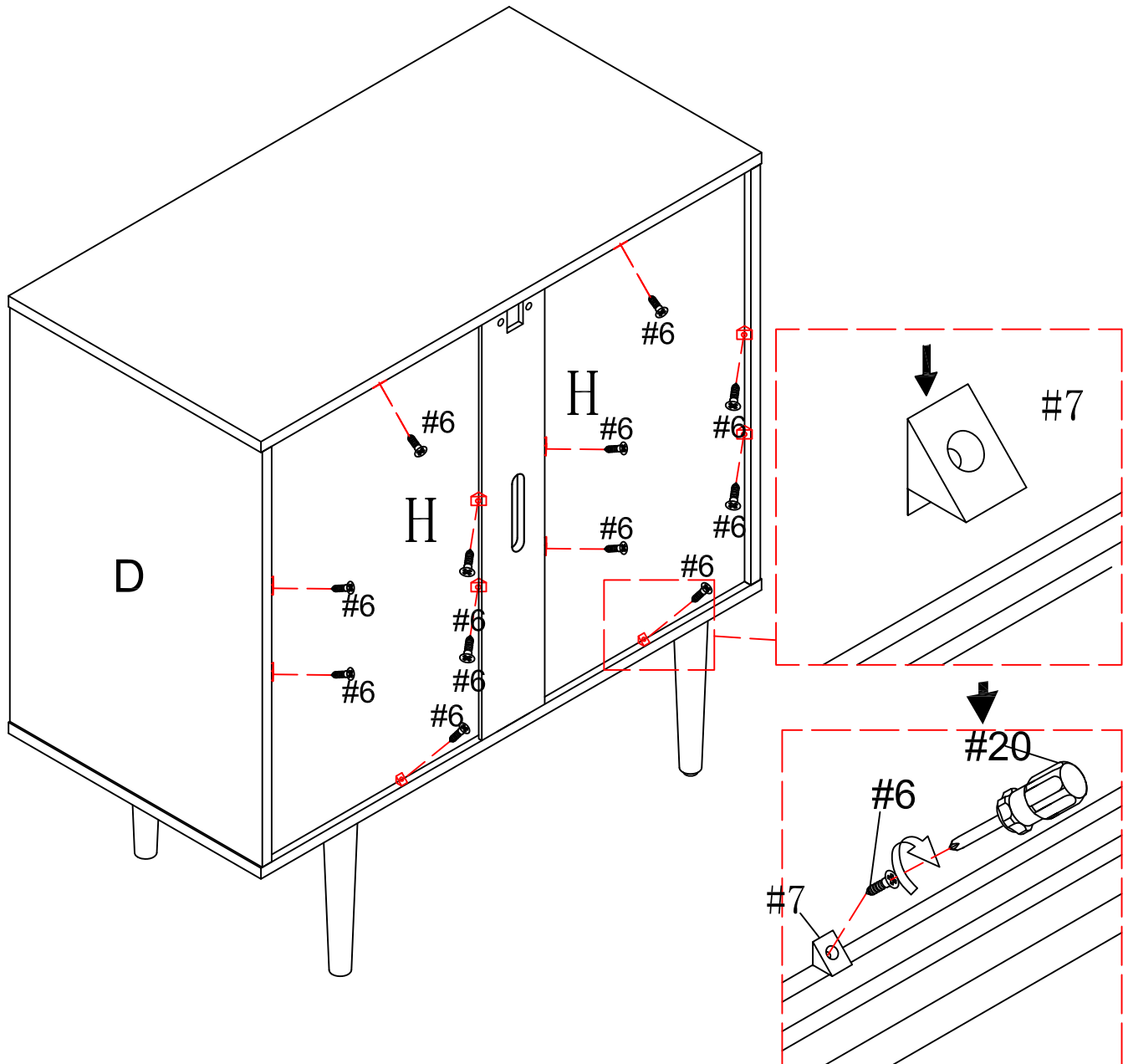
**Attention:**  
Before the next step, adjust  
the feet of the locker to keep  
it level.





# ASSEMBLY INSTRUCTIONS

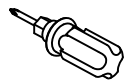
## STEP-10

1. Insert hardware #7 into part K&J as shown, screw in screw #6 using screwdriver #20 and tighten fully.



#6	x12
	
Ø3.5*14mm	

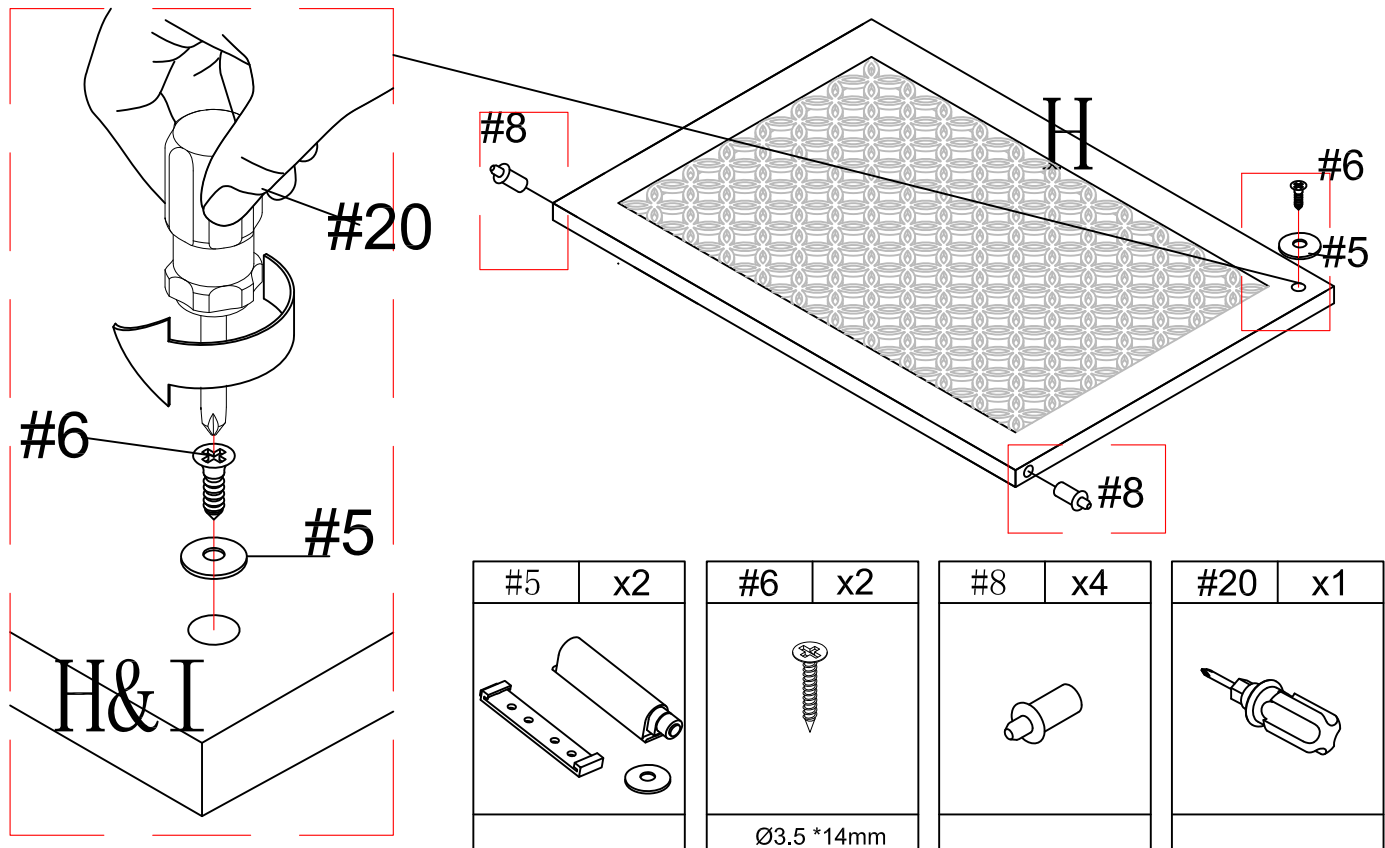
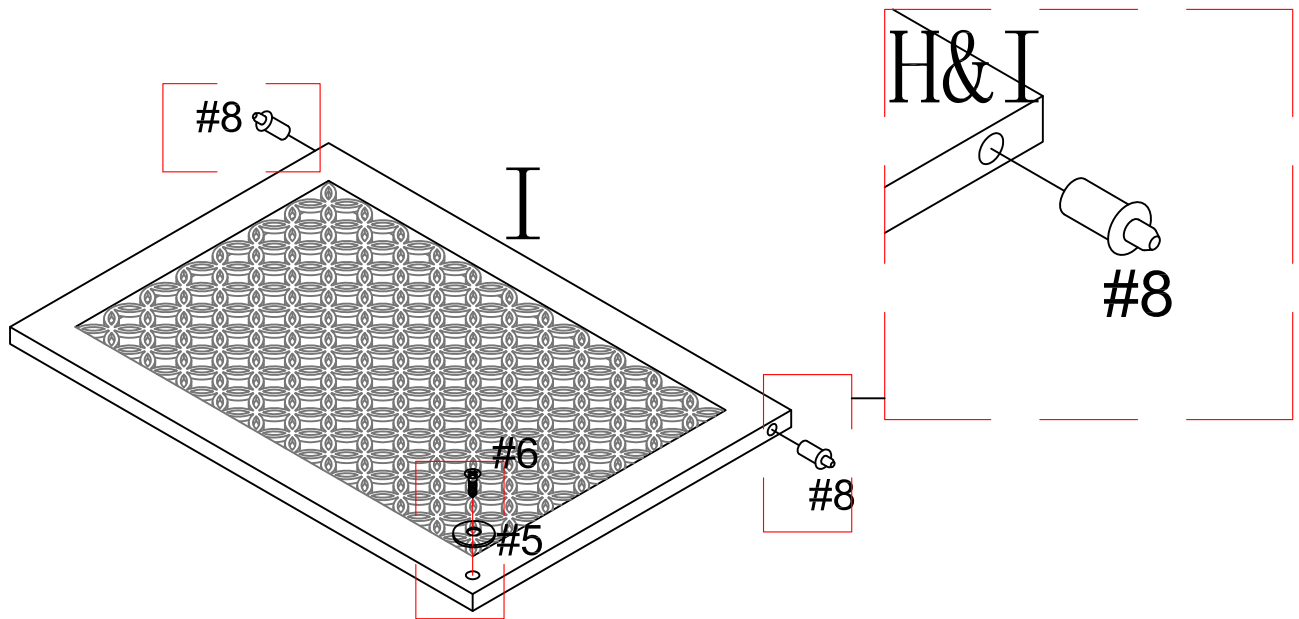
#7	x12
	

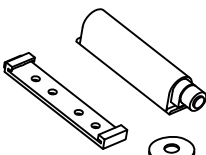


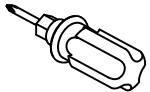
#20	x1
	

# ASSEMBLY INSTRUCTIONS

## STEP-11

Place the shaft body into door panels I and H. Use #6 to install gasket #5 on door panels I and H. And use screwdriver #20 to tighten screw #6.

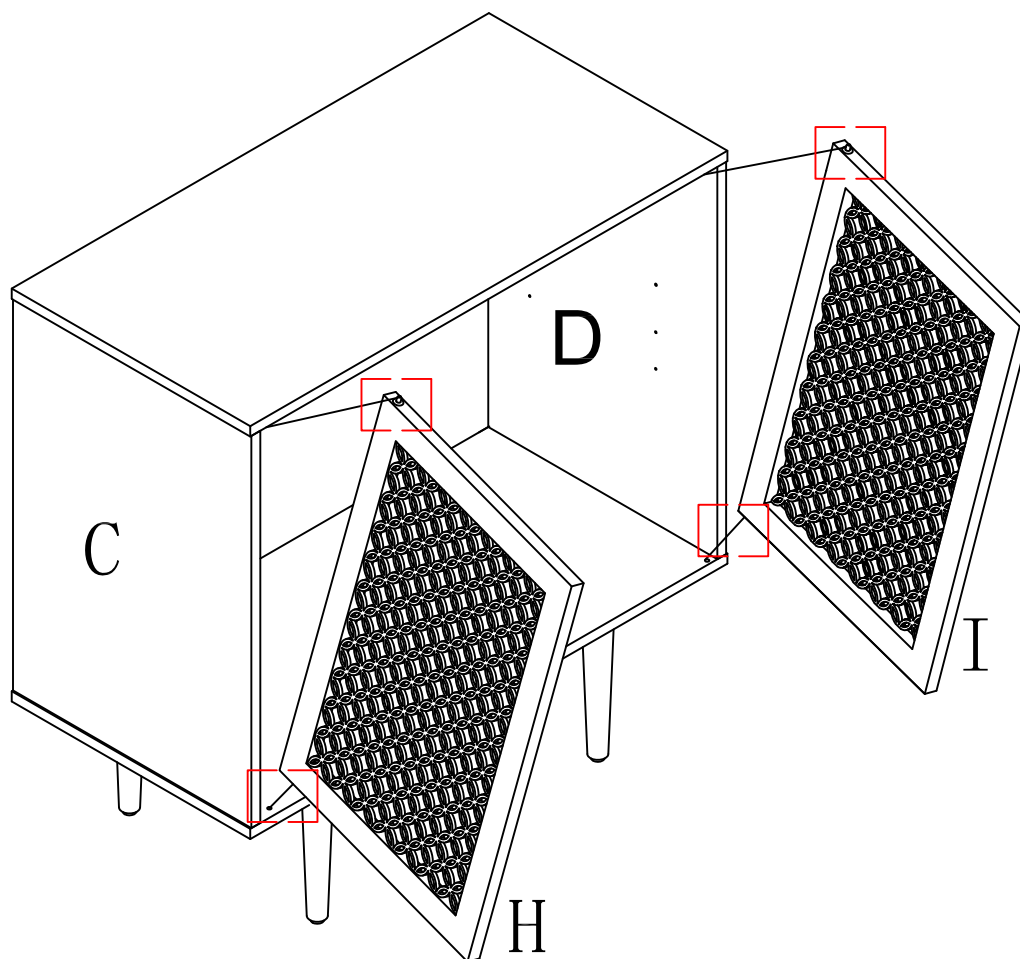
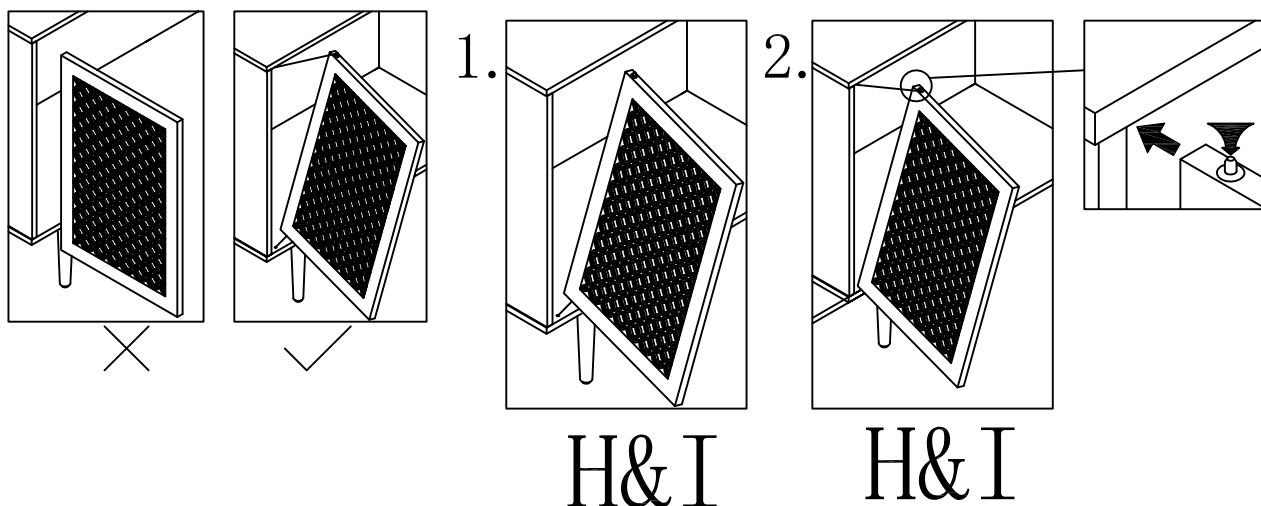


#5	x2	#6	x2	#8	x4	#20	x1
							
		Ø3.5 *14mm					

# ASSEMBLY INSTRUCTIONS

## STEP-12

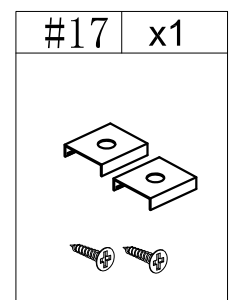
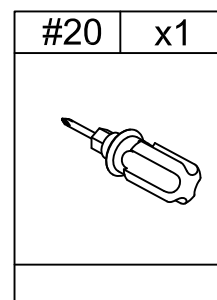
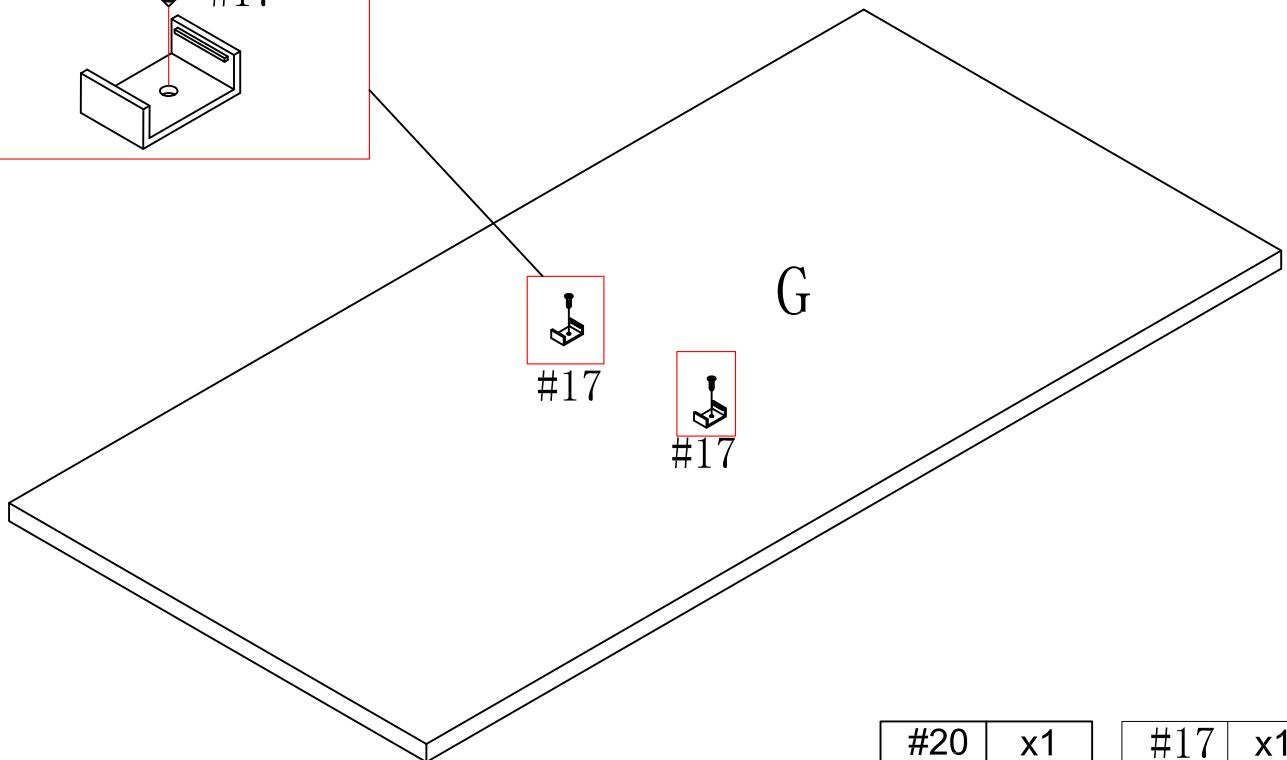
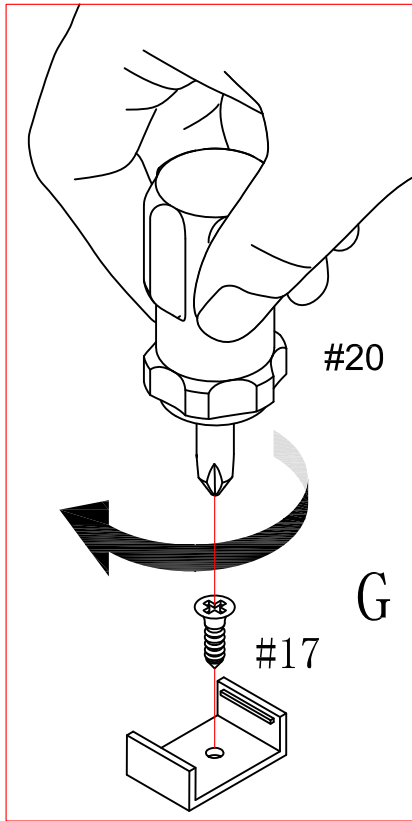
1. First, align the salient point of the lower end door spindle (H)&(I) with the corresponding hole of bottom panel (B), and then press the upper end salient point of door spindle (H)&(I) with hand, finally push it forward to the corresponding hole of top panel (A).



# ASSEMBLY INSTRUCTIONS

## STEP-13

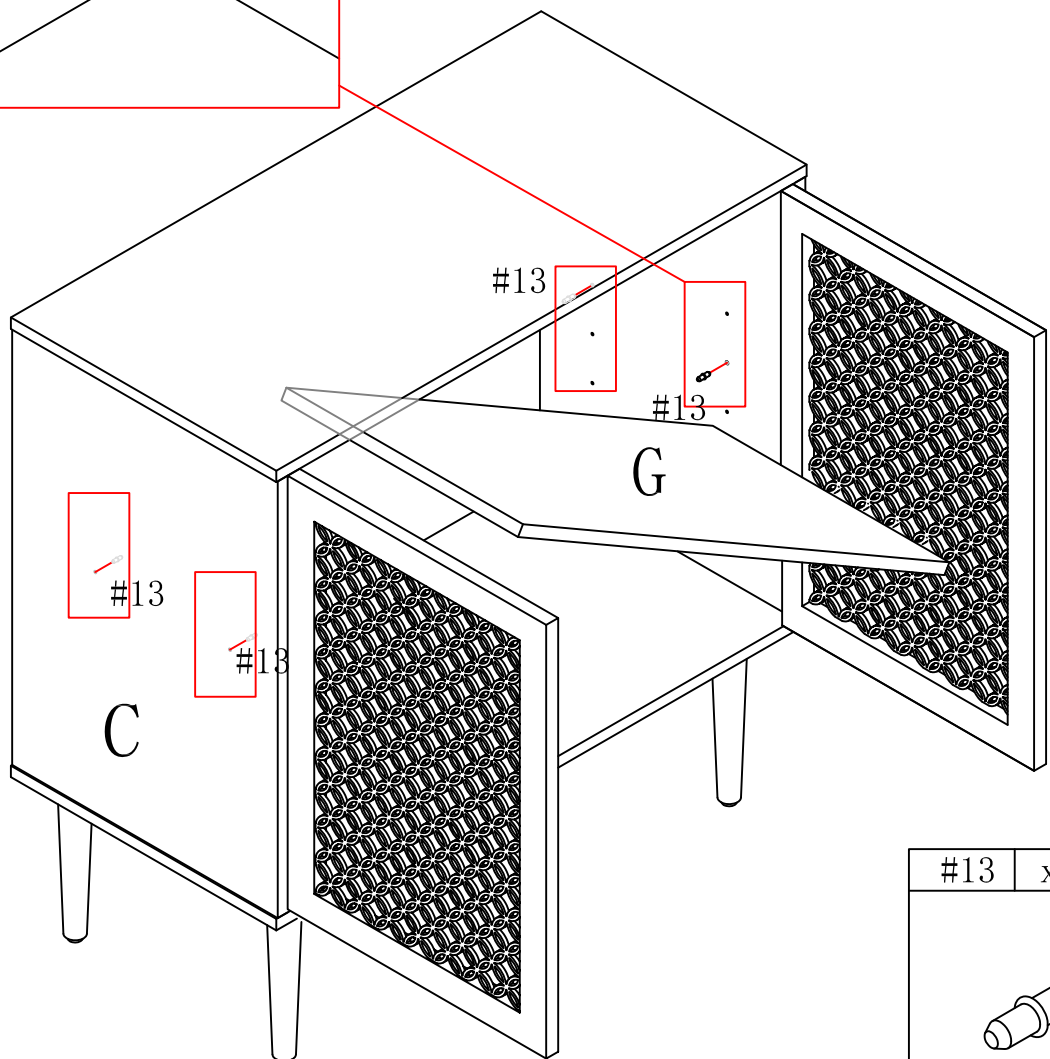
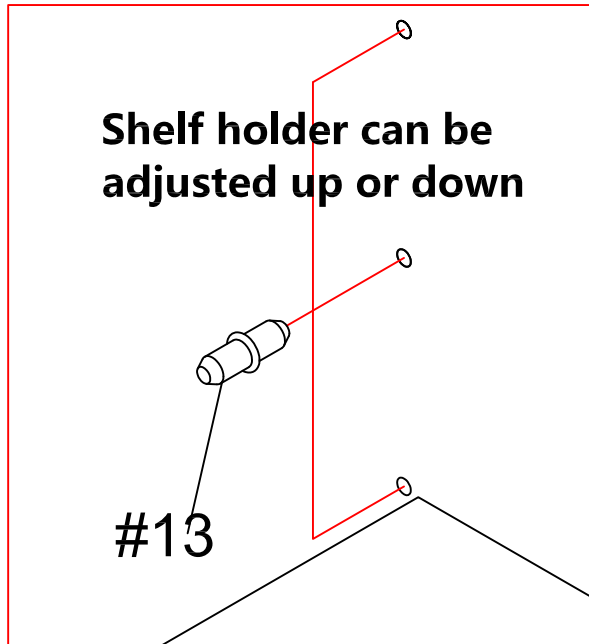
Use screws #17 to install the light strip base on panel A, and use screwdriver #20 to tighten screws #17.

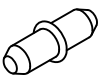


# ASSEMBLY INSTRUCTIONS

## STEP-14

1. Insert shelf holder #13 into the corresponding hole of panel (C)&(D) and then attach panel (G) to it.

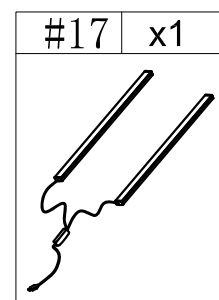
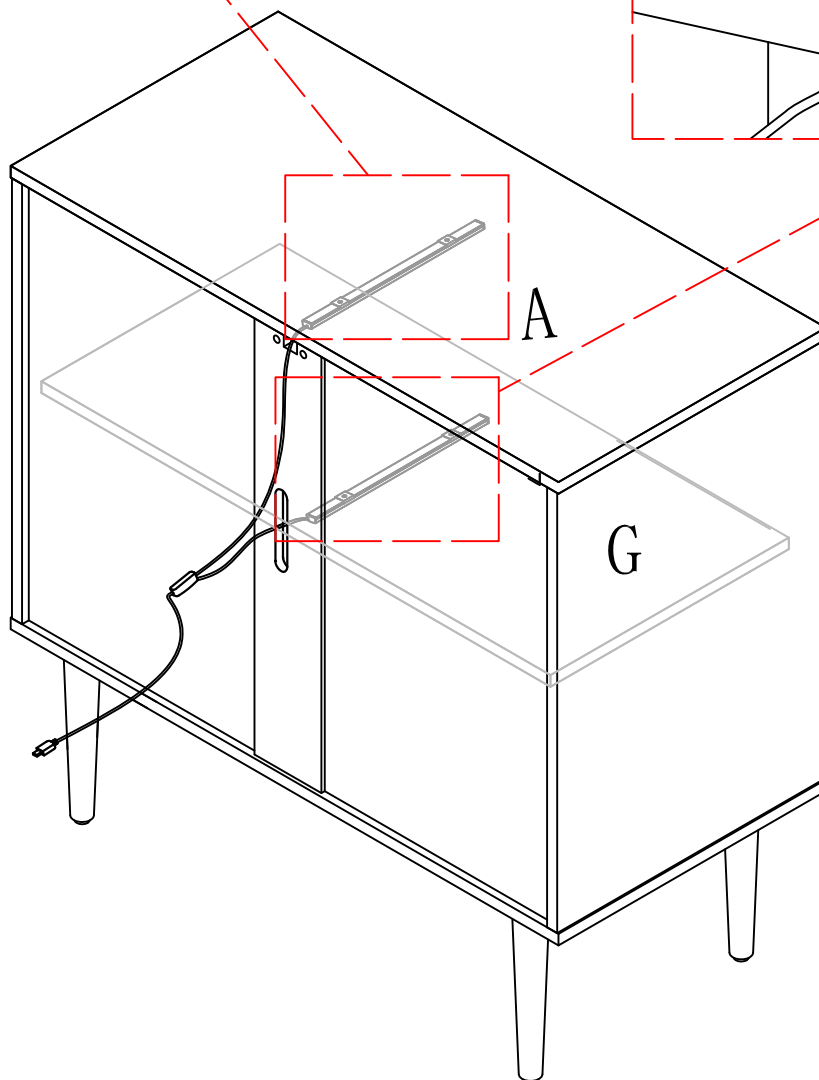
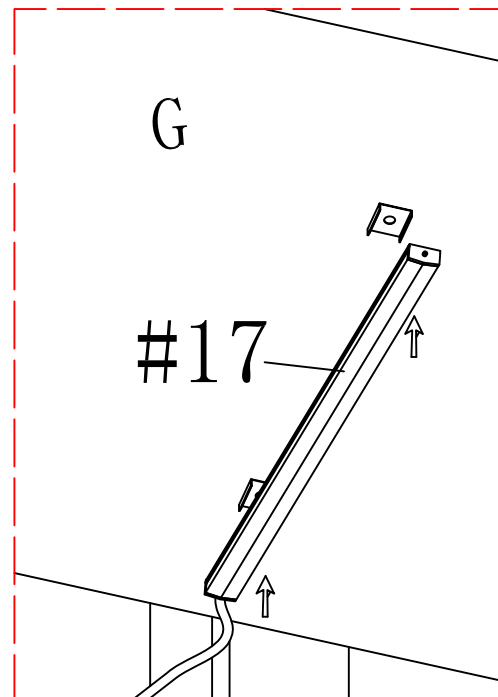
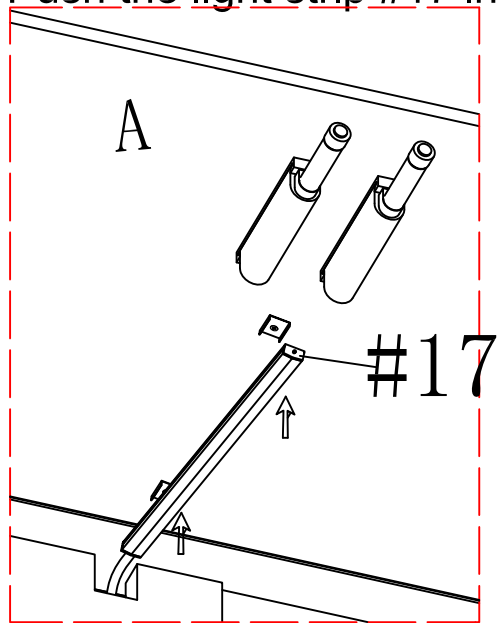


#13	x4
	

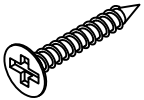

# ASSEMBLY INSTRUCTIONS

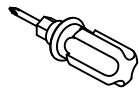
## STEP-15

Push the light strip #17 into the groove of fitting #17.



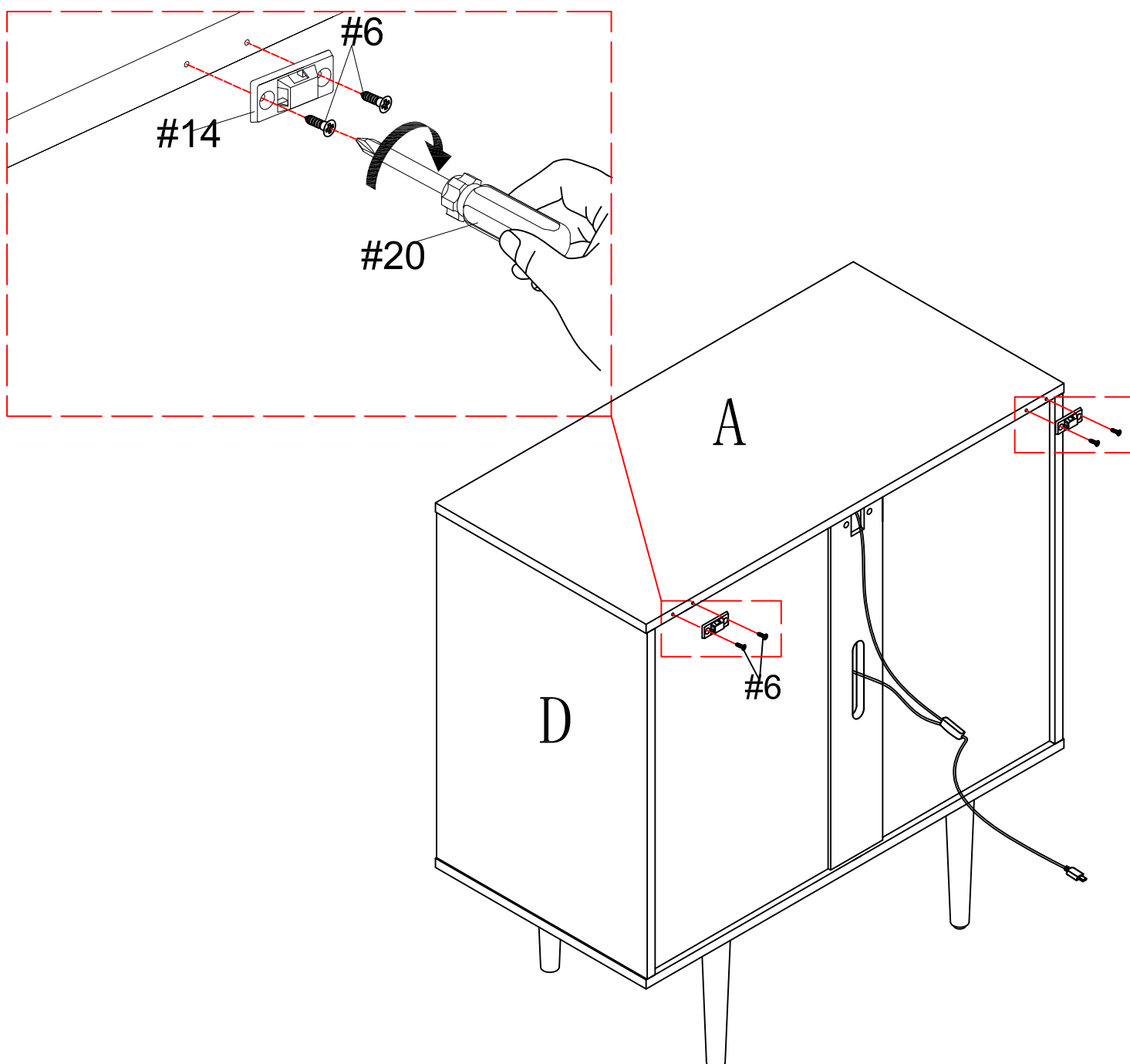
# ASSEMBLY INSTRUCTIONS

#6	x4	#14	x2
			
Ø3.5*14mm			


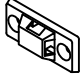

#20	x1
	

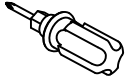
## STEP-16

1. Use screw #6 to attach part #14 to pre-assemble unit at step 16, tighten screws with screwdriver #20.



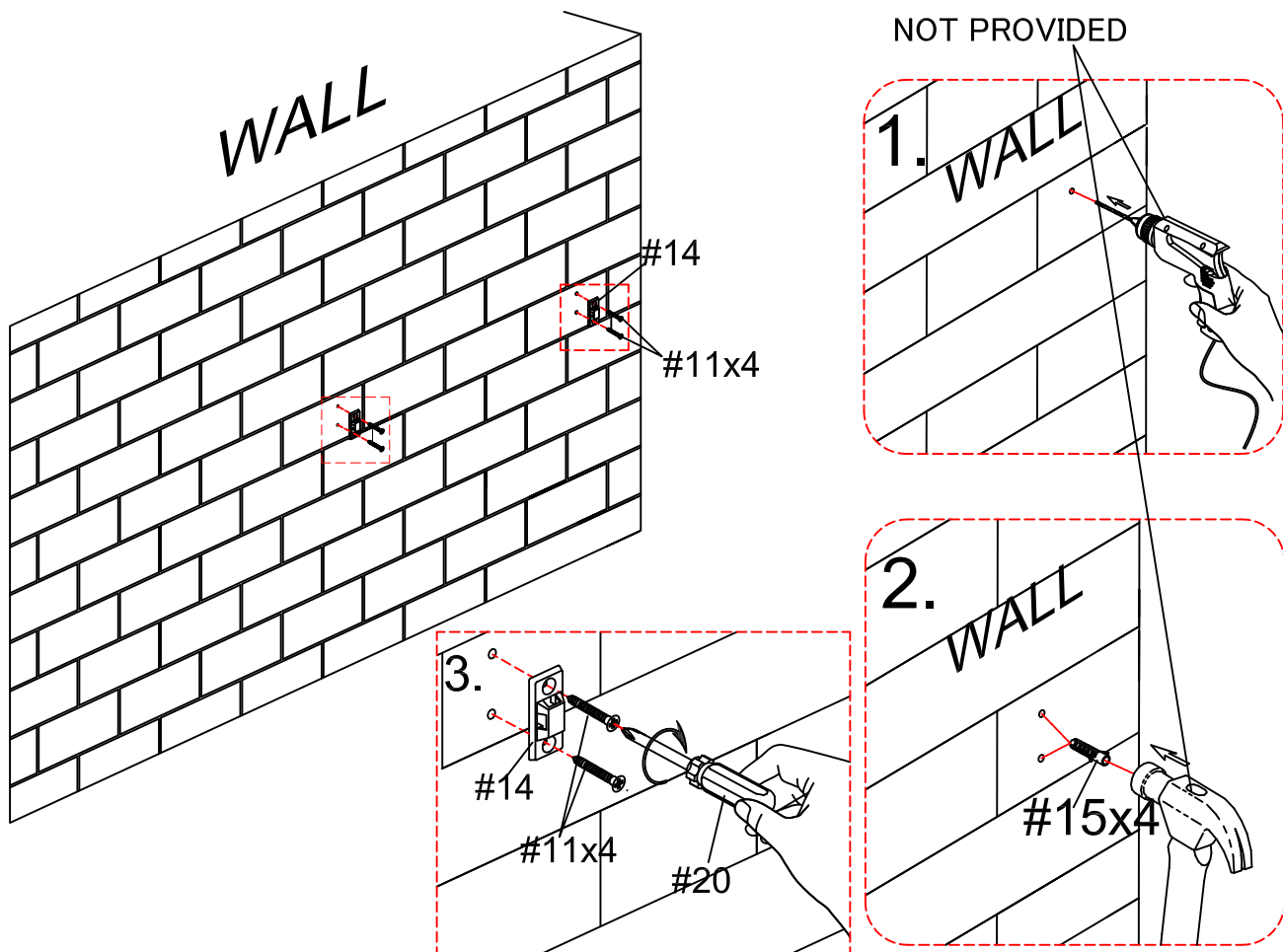
# ASSEMBLY INSTRUCTIONS

#15	x4	#14	x2	#11	x4
					
Ø8*30mm				Ø4*35mm	

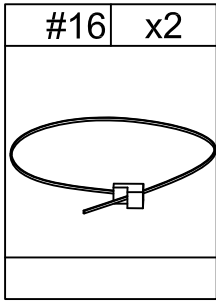
#20	x1
	

## STEP-17

1. Install the anti-collapse device.
2. Mark the position on the wall, that corresponds to the location of part #14 on the of panel (A); Drill and insert the expandable screw #15 by hammer.
3. Assemble the part #14 to the wall. Align the hole in the part #14 with the expandable screw #15, use screw #11 to attach it and tighten by screwdriver #20.

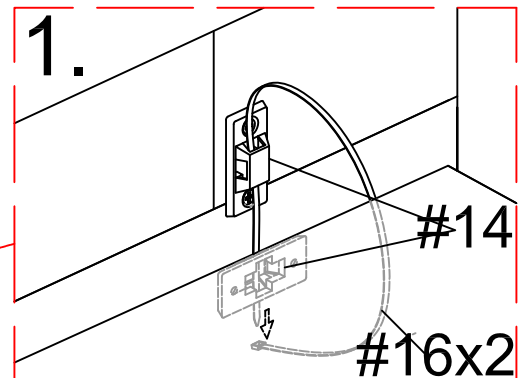
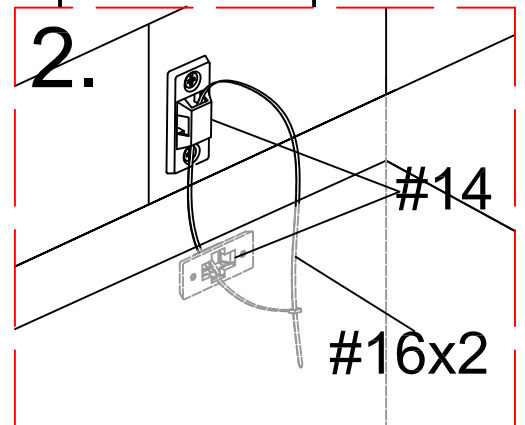
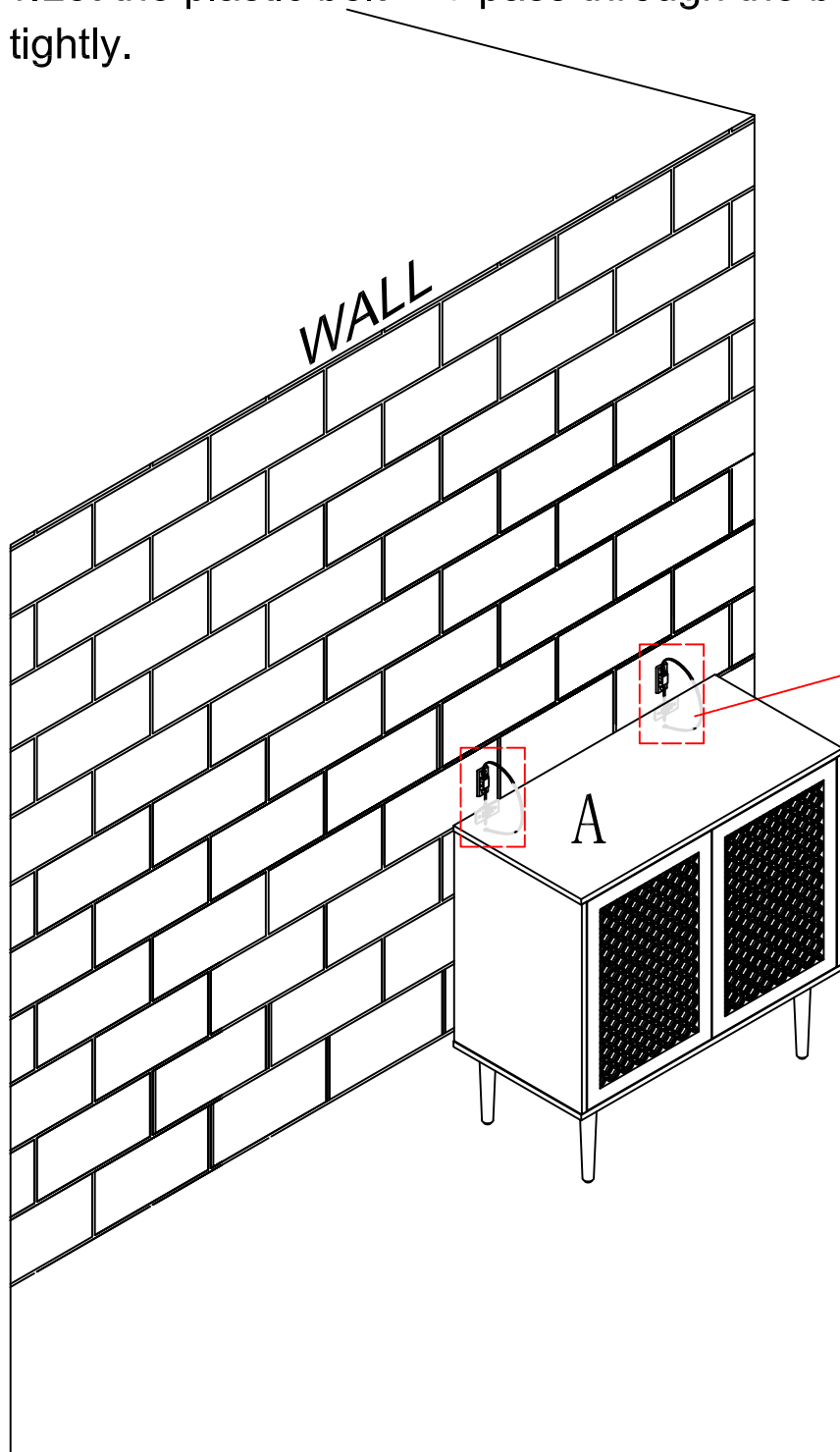


# ASSEMBLY INSTRUCTIONS



## STEP-18

1. Let the plastic belt #16 pass through the both part #14 and pull tightly.



# WARRANTY

1. We strive to offer high-quality products, and we also try our best to satisfy each and every customer that orders from us with product or service as needed.
2. We provide 30 days warranty starting from the time you receive the item. Each customer must provide a record of their order such as the order number, or item receipt for any items that are out of the warranty period you may also still receive.
3. Replacement parts by purchasing them with our company if they are available.