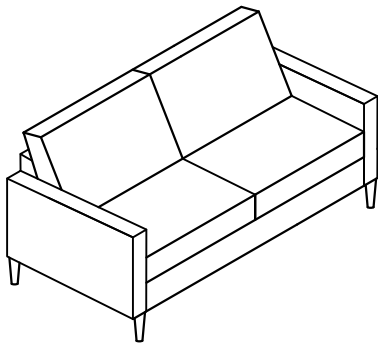
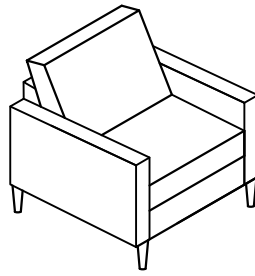


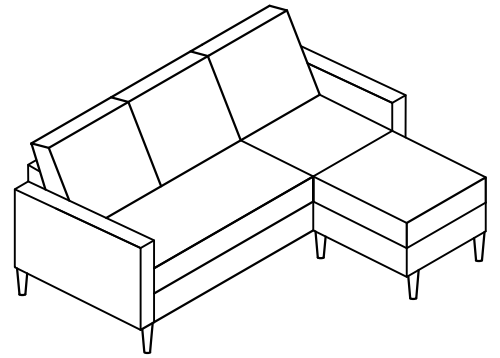
# Assembly Instructions



SOFA



CHAIR

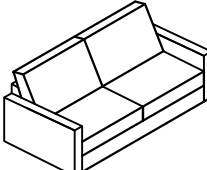

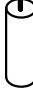



SECTIONAL

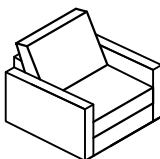


REQUIRED TOOLS: (Tool Free)

PARTS: (Included)

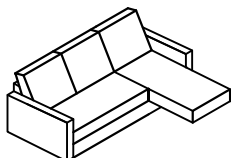



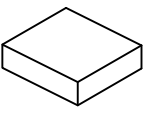
SOFA

<p><b>A1</b> SOFA ASSEMBLY - 1 PC</p> 	<p><b>B</b> WOOD LEG - 4 PCS</p> 
<p><b>C</b> SUPPORT MIDDLE LEG - 1 PCS</p> 	<p><b>D</b> PLASTIC WASHER - 4 PCS</p> 

CHAIR

<p><b>A2</b> CHAIR ASSEMBLY</p> 	<p><b>B</b> WOOD LEG - 4 PCS</p> 
<p><b>D</b> PLASTIC WASHER - 4 PCS</p> 	

SECTIONAL

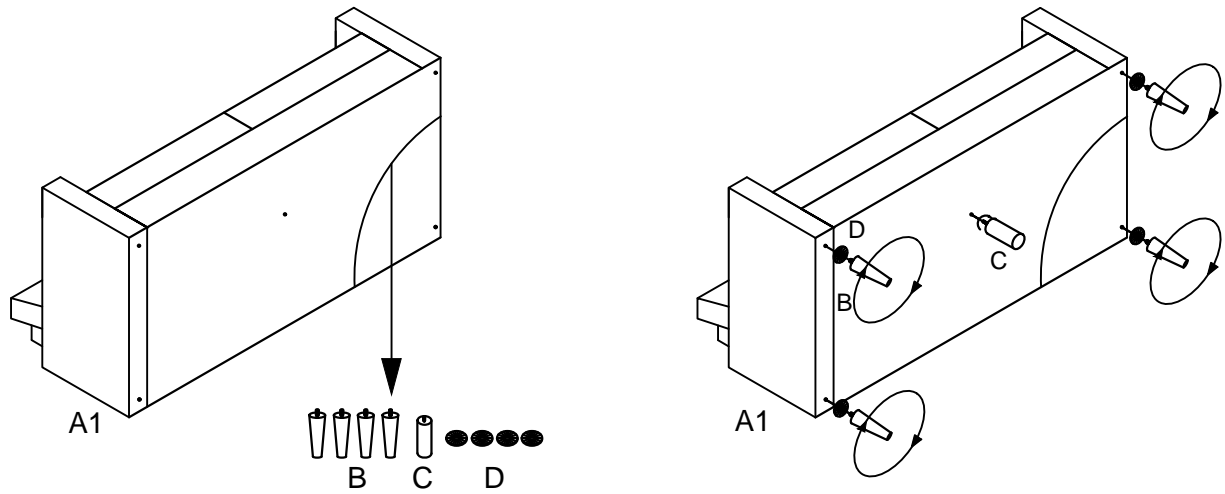
<p><b>A3</b> SOFA ASSEMBLY - 1 PC</p> 	<p><b>B</b> WOOD LEG - 8 PCS</p> 	<p><b>C</b> SUPPORT MIDDLE LEG - 1 PCS</p> 
<p><b>D</b> PLASTIC WASHER - 8 PCS</p> 	<p><b>E</b> OTTOMAN BASE - 1 PC</p> 	

# Assembly Instructions

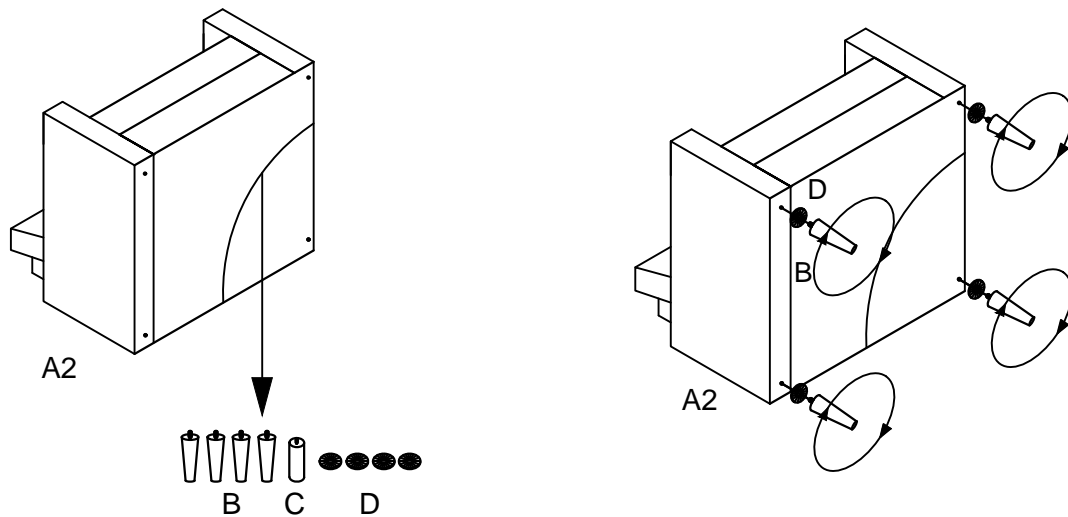
It is recommended to have 2 adults on hand for assembly.

Ensure that all bolts are tightened before use. Check and tighten all bolts periodically throughout use of the products.

## ( SOFA )



## ( CHAIR )



## ( SECTIONAL )

