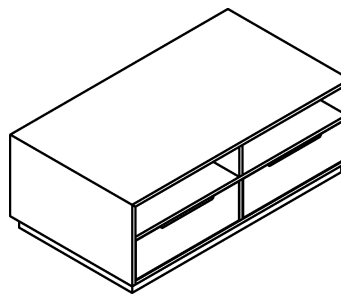


ASSEMBLY INSTRUCTIONS



253-910

TOOLS REQUIRED:

Screwdriver (Not Provided)

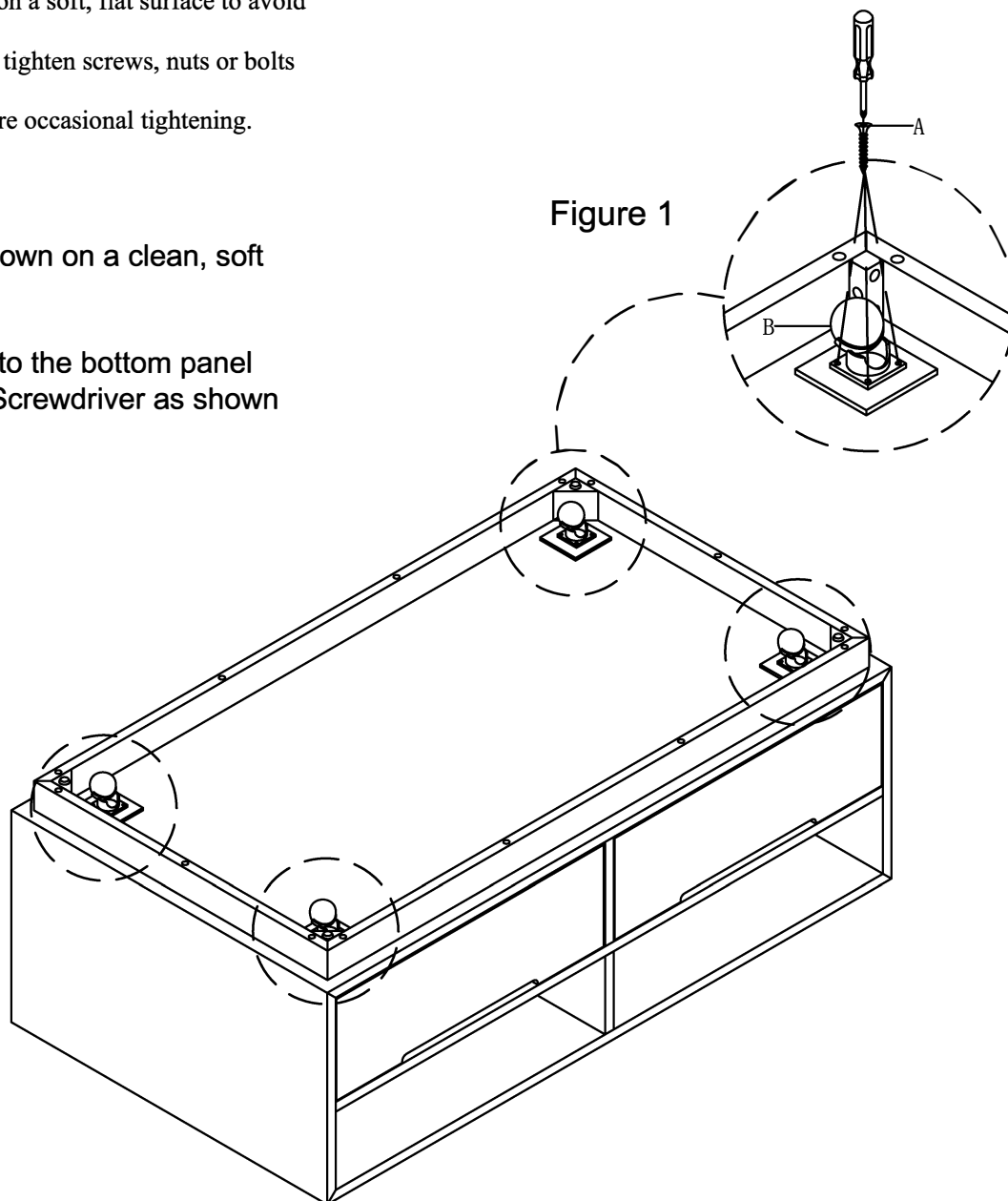
BEFORE YOU START:



1. Check the hardware against the hardware list to make sure all items are present.
2. Assemble your furniture on a soft, flat surface to avoid scratching the finish.
3. **CAUTION:** Do not over tighten screws, nuts or bolts during assembly.
4. Your furniture may require occasional tightening.

INSTRUCTIONS:

1. Turn the Table upside down on a clean, soft surface.
2. Attach four Casters (B) to the bottom panel and tighten Screw (A) by Screwdriver as shown in Figure 1.

Figure 1



No.	HARDWARE LIST		
A		Screw (Φ8x5/8")	16pcs
B		Caster (Φ50*H64mm)	4pcs