

## C-CROSS CHAIR

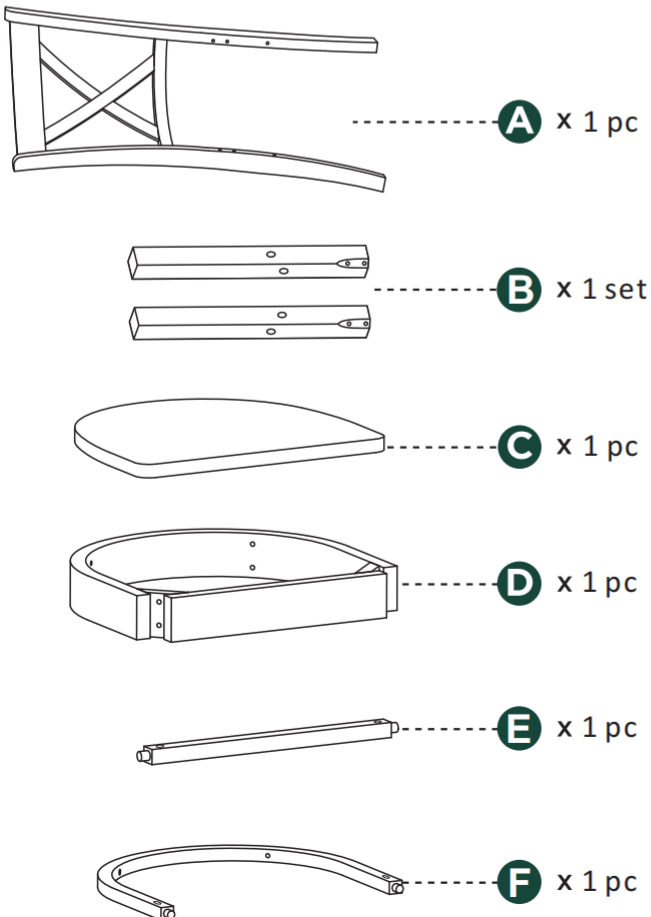
E1670336, E1670343

E1670350, E1670357

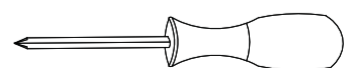
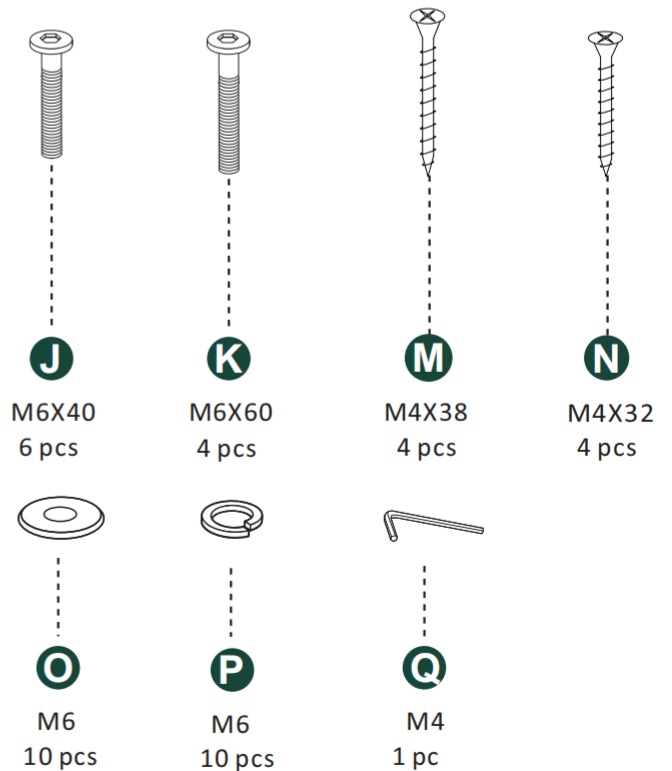


Revision Number: 02

### Components Per Chair



### Hardware Per Chair



PHILLIPS SCREWDRIVER  
REQUIRED  
(NOT INCLUDED)

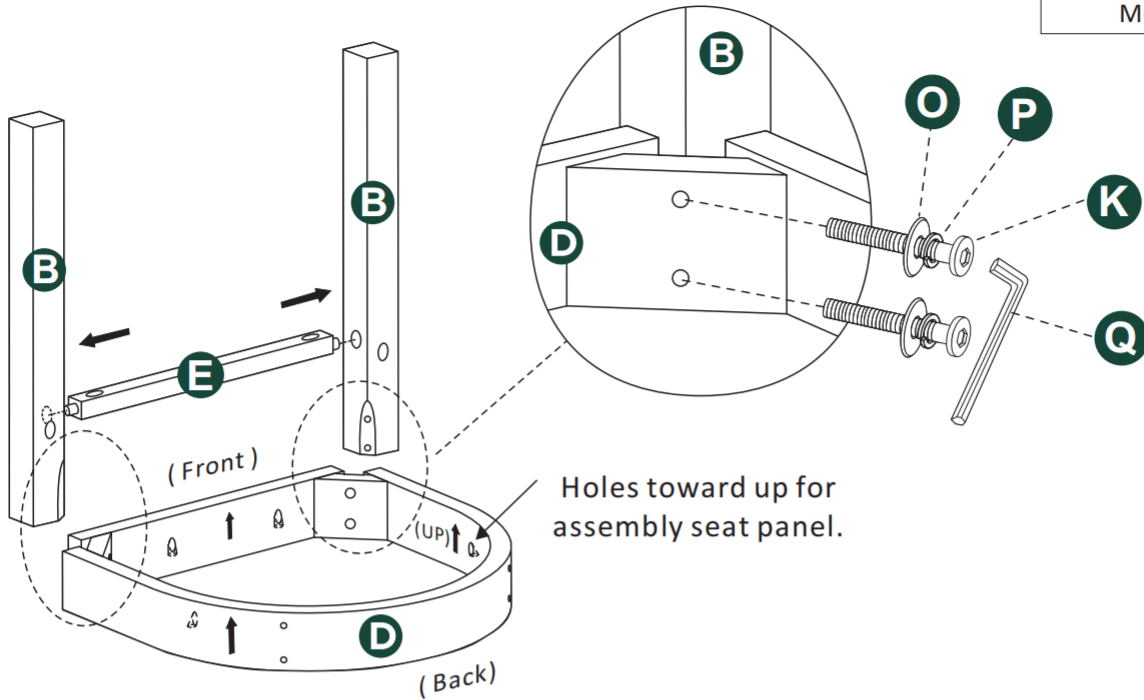
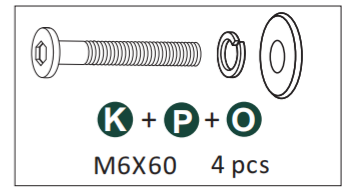
## **CAUTION:**

When placing furniture on non-carpeted flooring, we recommend the use of floor protection such as an area rug or furniture pads. Area rugs and padding not included with purchase.

## **IMPORTANT:**

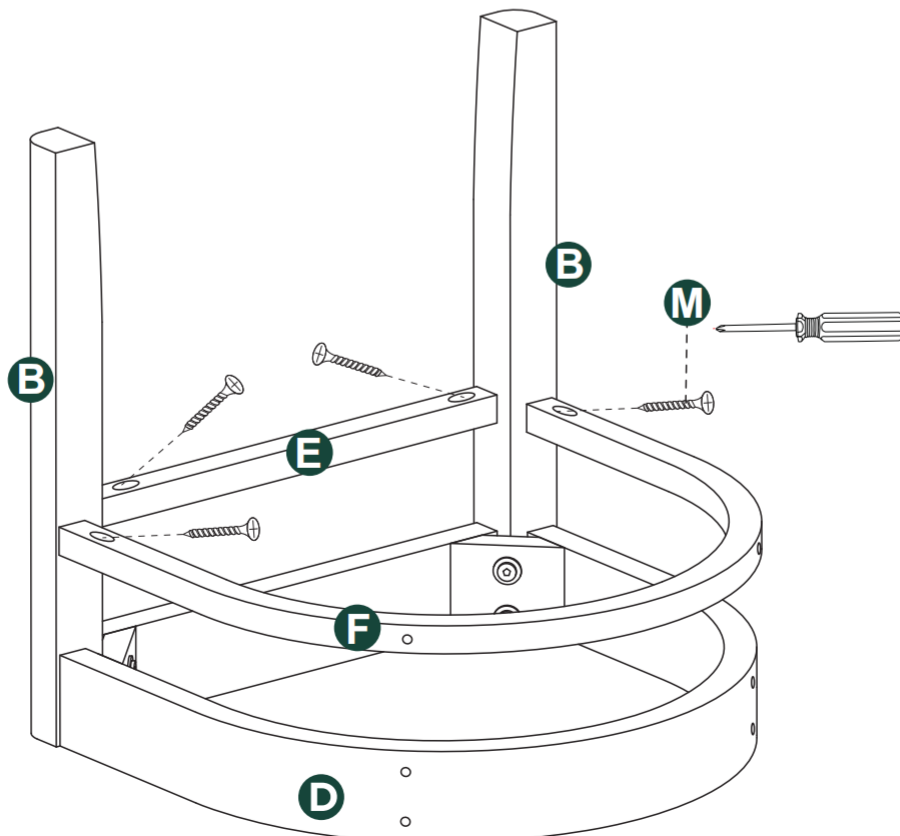
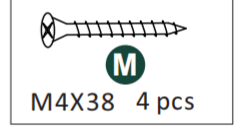
To best ensure a steady chair with no wobbling, partially tighten all bolts first, ensure alignment of parts being connected, then fully tighten bolts. Should the chair wobble upon assembly (rare) loosen bolts as needed to adjust alignment and then retighten bolts.

**1** Insert two ends of rail "E" into legs "B". Attach "P" and "O" washers to "K" bolt. Connect the front legs "B" to corner of seat frame "D". Use the bolts to attach.

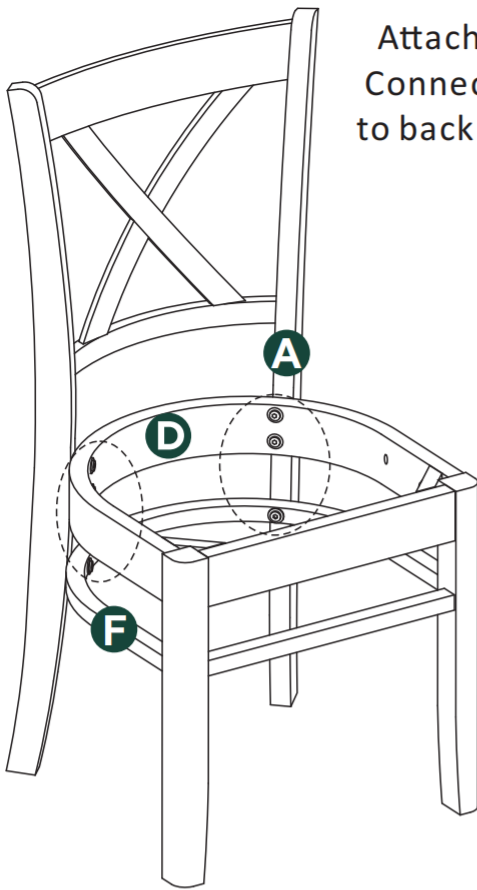


**IMPORTANT:** To best ensure a steady chair with no wobbling, partially tighten all bolts first, ensure alignment of parts being connected, then fully tighten bolts. Should the chair wobble upon assembly (rare) loosen bolts as needed to adjust alignment and then retighten bolts.

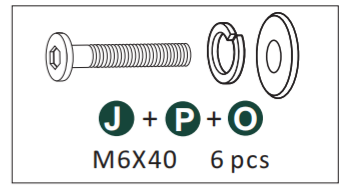
**2** Insert two ends of rail "F" into legs "B". Fasten rails "E" and "F", use screwdriver to install "M" screws into legs "B".



3

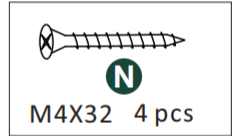
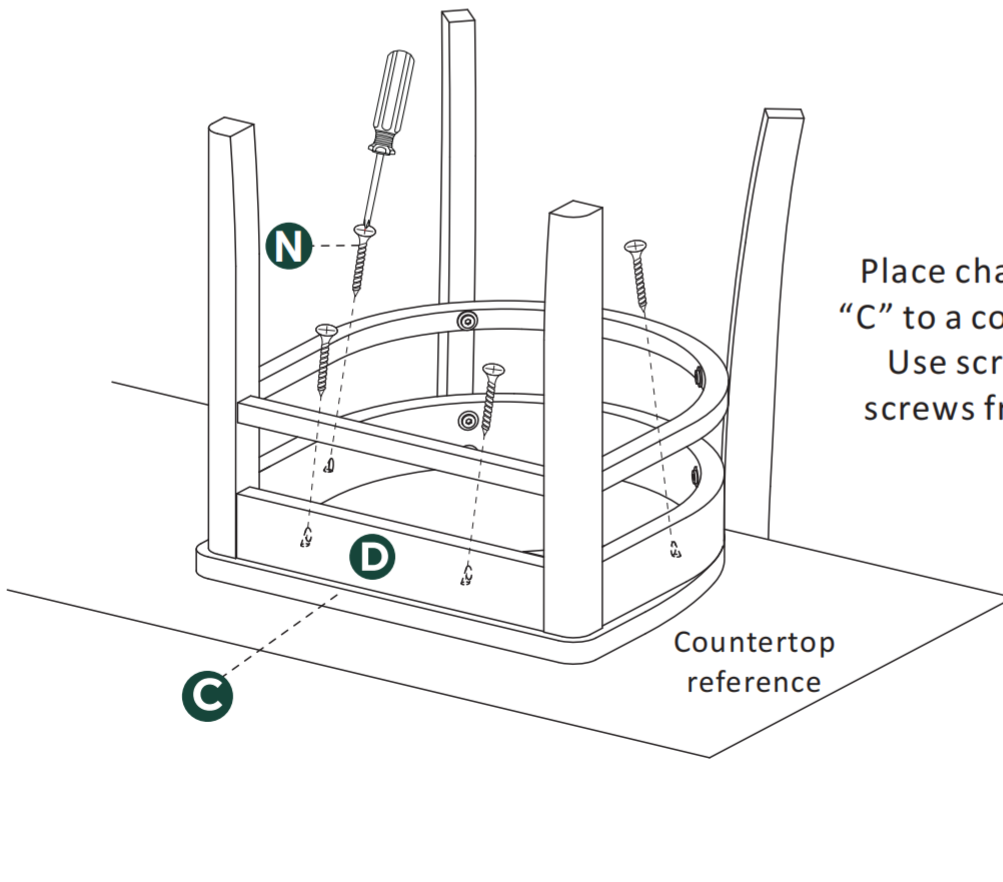


Attach "P" and "O" washers to "J" bolt.  
Connect the seat frame "D" and rail "F"  
to back fame "A". Use the bolts to attach.



**IMPORTANT:** To best ensure a steady chair with no wobbling, partially tighten all bolts first, ensure alignment of parts being connected, then fully tighten bolts. Should the chair wobble upon assembly (rare) loosen bolts as needed to adjust alignment and then retighten bolts.

4



Place chair frame and seat panel  
"C" to a countertop show as below.  
Use screwdriver to install "N"  
screws from seat frame "D" into  
seat panel "C".

**You're all finished!**