

Assembly Instructions

Outdoor Dining Table



Please keep this instruction manual for future reference




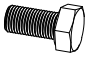





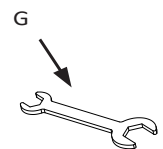
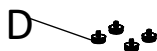
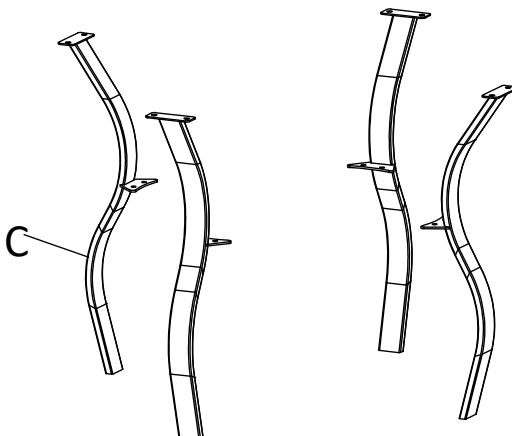
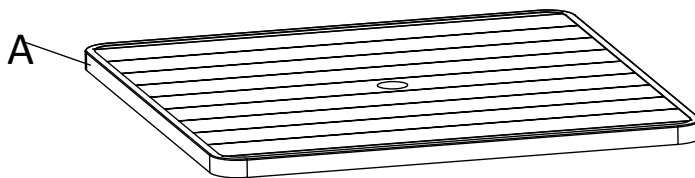
Warning:

READ INSTRUCTION MANUAL BEFORE ATTEMPTING TO ASSEMBLE OR OPERATE THIS PRODUCT.

**Don't fully tighten all the bolts till the very end!
Keep the screws and parts out of reach of children.**

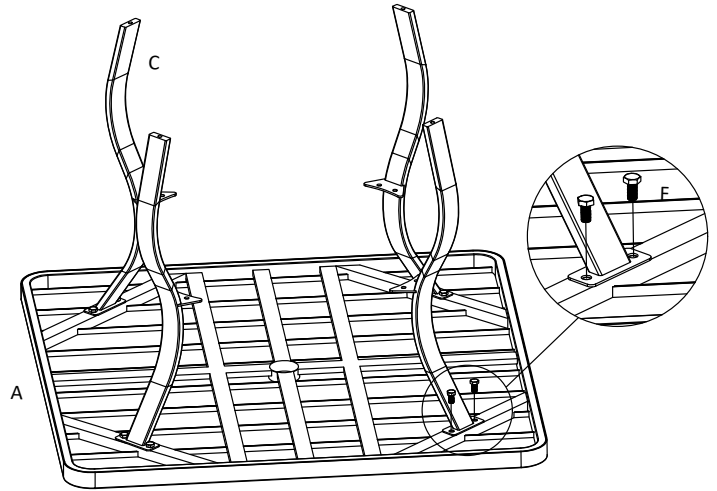
(Made in China)

PART LIST							
CODE	IMAGE	PARTS	QTY	CODE	IMAGE	PARTS	QTY
A		TABLE TOP	1	E		Nut M8	8
B		Support Panel	4	F		Screw M8*16	8
C		LEG	4	G		HEX KEY	1
D		FOOT	4				



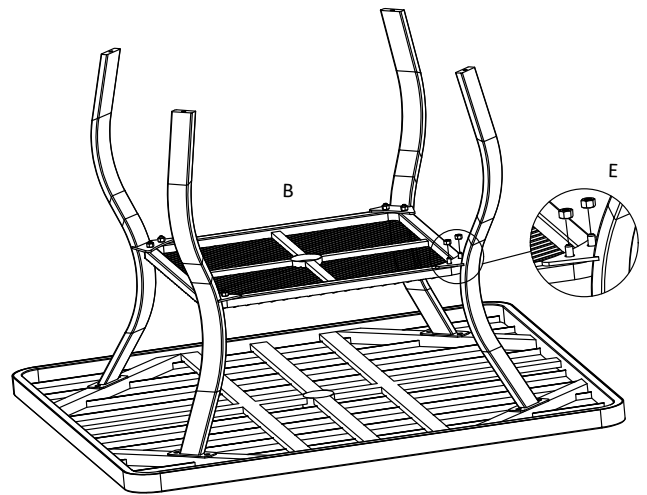
Attaching the legs

1. Attach the legs(C) to the table top(A) using 8 pcs M8 x16 screws (F)



Attaching the Support Panel

2. Attach the support Panel(B) to the legs(C) using 8 pcs M8 nuts (E)



Attaching the Foots

3. Attach the foots(D) to the legs(C)

