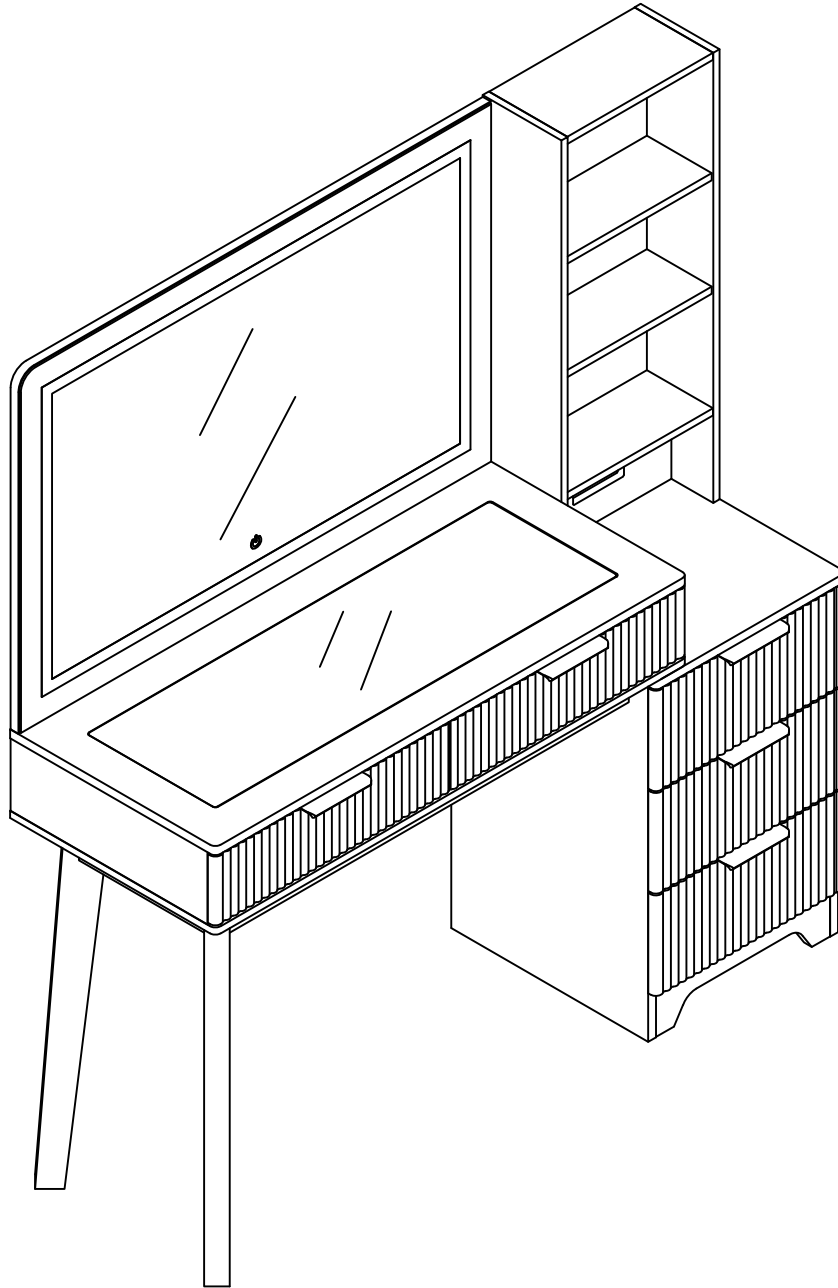
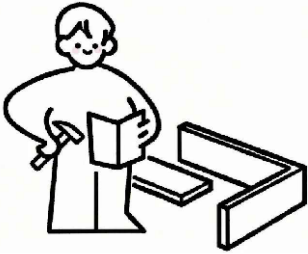


# INSTRUCTION MANUAL



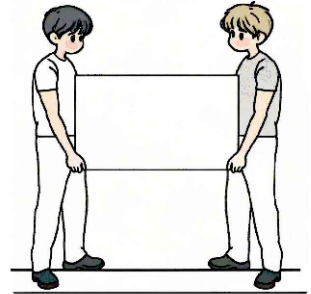
ITEM NO. : MH25011-1405C-01

Version : 11/03/2025



Please read this manual carefully before assembling or using this product. Follow the instructions thoroughly and keep this manual for future reference.

For a faster and easier assembly, work with a partner.



## IMPORTANT INSTALLATION AND MAINTENANCE NOTES

- The furniture is large and heavy, please choose a good placement before installation. After the installation is completed, try not to move it widely. If necessary, more than one person should cooperate to carry it.
- Please note: After the installation is completed, avoid vigorous dragging or using brute force to carry the furniture, as this may cause irreversible damage to the connection points or plates, leading to cracks that affect the functionality and appearance of the product.
- Any product that is assembled using screws should be re-tightened 2 weeks after assembly, and once every 3 months thereafter, to ensure stability throughout the product's lifespan.
- For regular maintenance and cleaning of the product: For the frame, use a rag dipped in neutral detergent to wipe it thoroughly, then dry it with a clean rag. For glass materials, use a rag dampened with a water-based glass cleaner, and then dry it with a dry rag.
- Do not use an electric screwdriver, and avoid using excessive force during installation, as the board is easy to break.
- If you have any issues or questions, please feel free to contact our customer service team at [Furniture-AfterSales@outlook.com](mailto:Furniture-AfterSales@outlook.com).

# ANTI-TOPPLE WARNING!

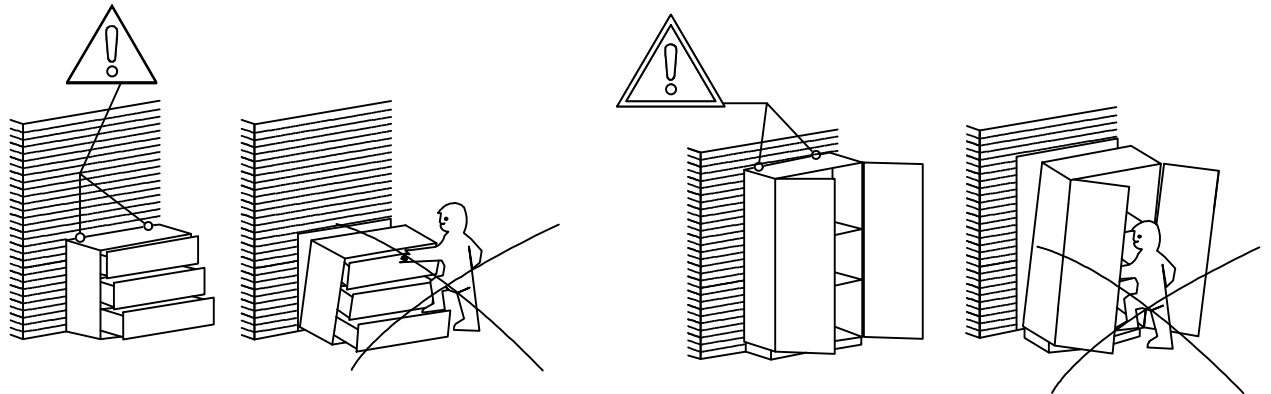
Overtured furniture can cause serious injury or even death.

To prevent tipping over, always secure the furniture to the wall using the provided wall attachment.

If the wall attachment is not included, purchase one that fits your wall type.

If you're unsure, seek professional assistance to ensure correct installation.

Carefully follow each step of the assembly instructions for safe and secure setup.



This product contains small parts, please keep out of reach of children.

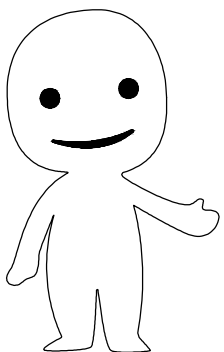
Ce produit contient de petites pièces, s'il vous plaît. À conserver hors de portée des enfants.

Bitte halten Sie kleine Teile außerhalb der Reichweite von Kindern.

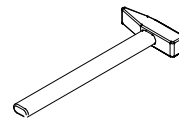
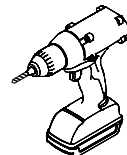
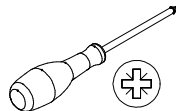
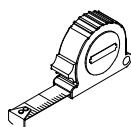
Este producto contiene piezas pequeñas. Mantener fuera del alcance de los niños.

Este produto contém peças pequenas. Por favor, mantenha fora do alcance das crianças.

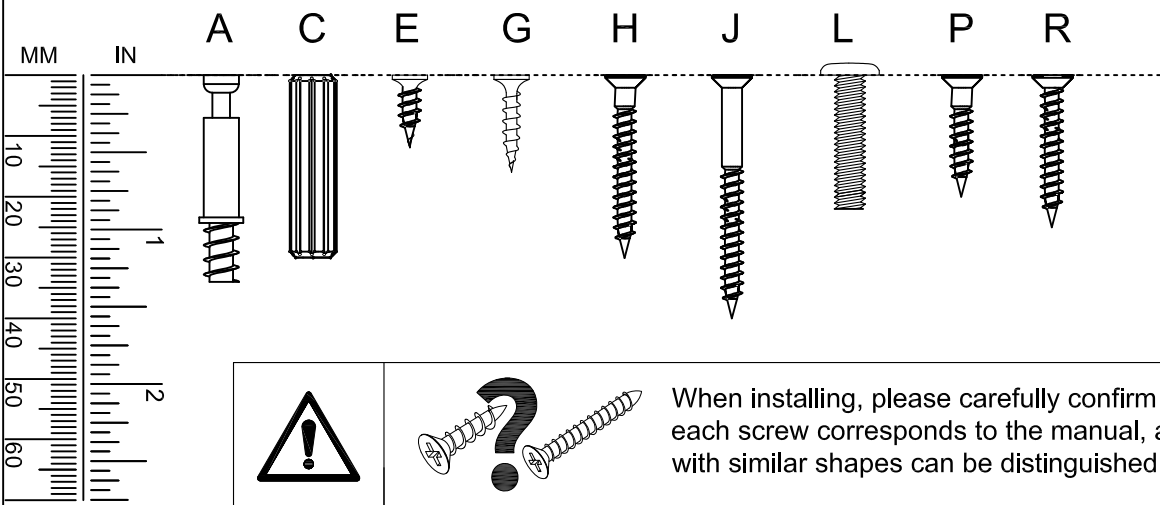
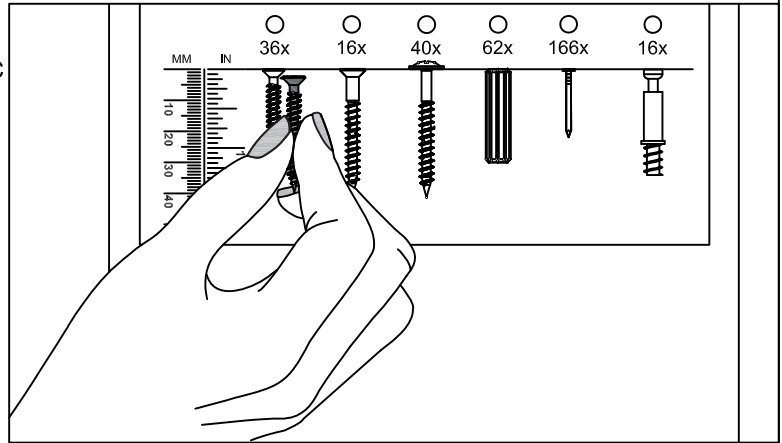
Questo prodotto contiene piccole parti, si prega di tenere fuori dalla portata dei bambini.







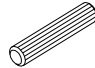
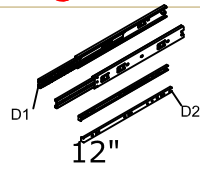





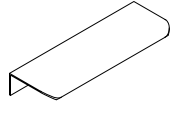
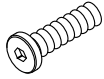

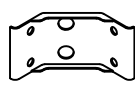

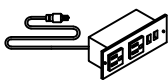

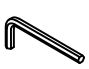
Please prepare the following tools

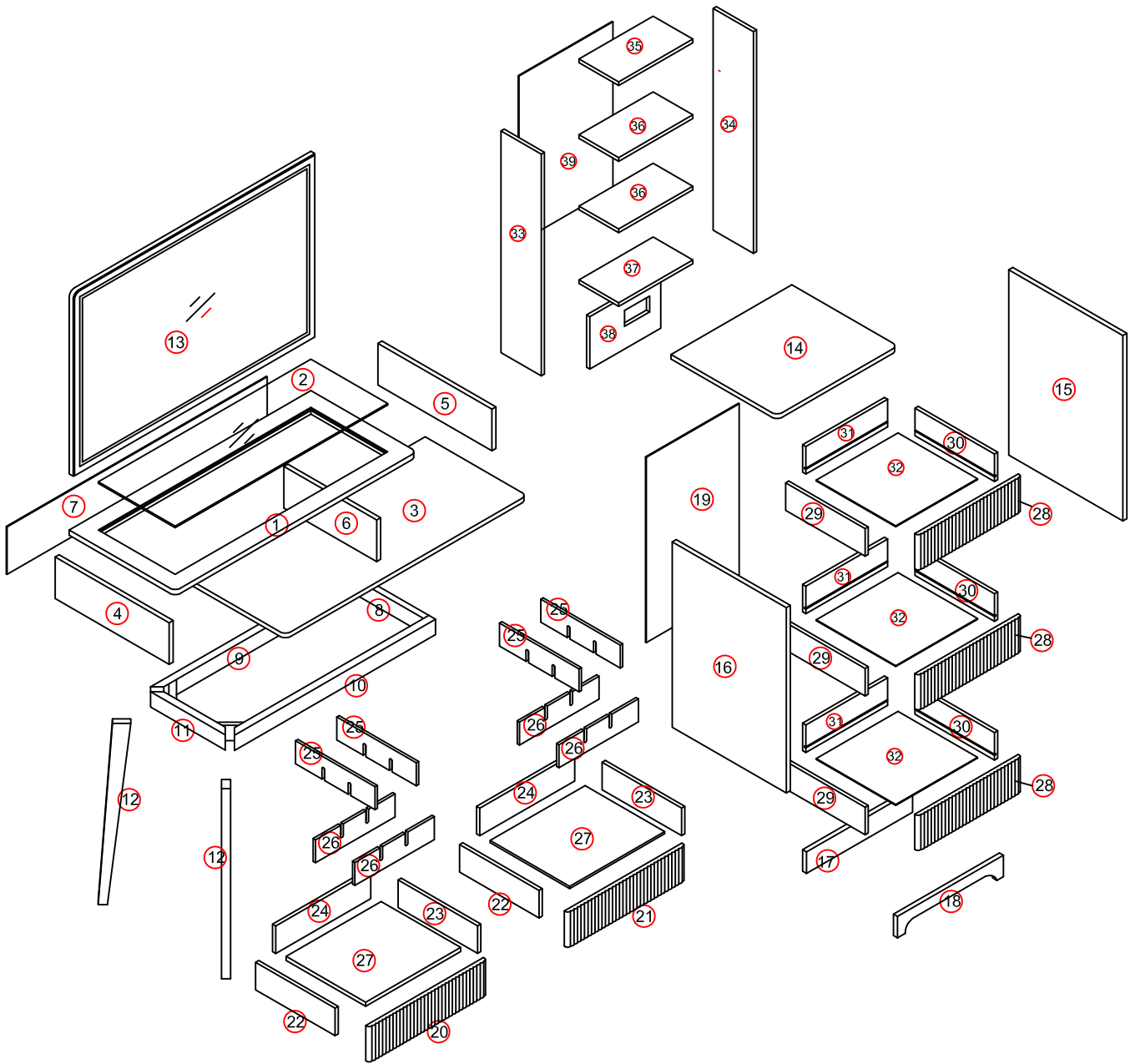


In case of doubt, compare the hardware with the full-size images below.  
 En cas de doute, veuillez comparer la quincaillerie avec les images ci-dessous à taille réelle.  
 Vergleichen Sie im Zweifelsfall die Schrauben mit den Abbildungen in Originalgröße.  
 En caso de duda, compare los herrajes con las imágenes a continuación en tamaño real.  
 Em caso de dúvida, compare as ferragens com as imagens abaixo em tamanho real.  
 In caso di dubbio, confronta la ferramenta con le immagini sottostanti a grandezza reale.



  When installing, please carefully confirm whether each screw corresponds to the manual, accessories with similar shapes can be distinguished by size

<b>A</b> x 62  Ø6 x 34mm	<b>B</b> x 62  Ø15 x 9.5mm	<b>C</b> x 65  Ø8 x 30mm	<b>D</b> x 5  12"	<b>E</b> x 50  Ø3.5 x 12mm
<b>F</b> x 14  14 x 13 x 10 mm	<b>G</b> x 22  Ø3 x 16mm	<b>H</b> x 32  Ø4x 30mm	<b>J</b> x 33  Ø4x 40mm	<b>K</b> x 5 
<b>L</b> x 4  M6x22mm	<b>M</b> x 2 	<b>N</b> x 2 	<b>P</b> x 20  Ø4 x 20mm	<b>Q</b> x 1 
<b>R</b> x 6  Ø4x 25mm	<b>S</b> x 1  4mm			



**WARNING**

Children have died from furniture tipover. To reduce the risk of furniture tipover:

- ALWAYS install tipover restraint provided.
- NEVER put a TV on this product.
- NEVER allow children to stand, climb or hang on drawers, doors, or shelves.
- NEVER open more than one drawer at a time.
- Place heaviest items in the lowest drawers.

This is a permanent label. Do not remove!

# ATTENTION - AVERTISSEMENT - ACHTUNG - ATENCIÓN - ATENÇÃO - ATTENZIONE

Assemble the furniture on a clean and flat surface and cover it with the cardboard of the packaging.

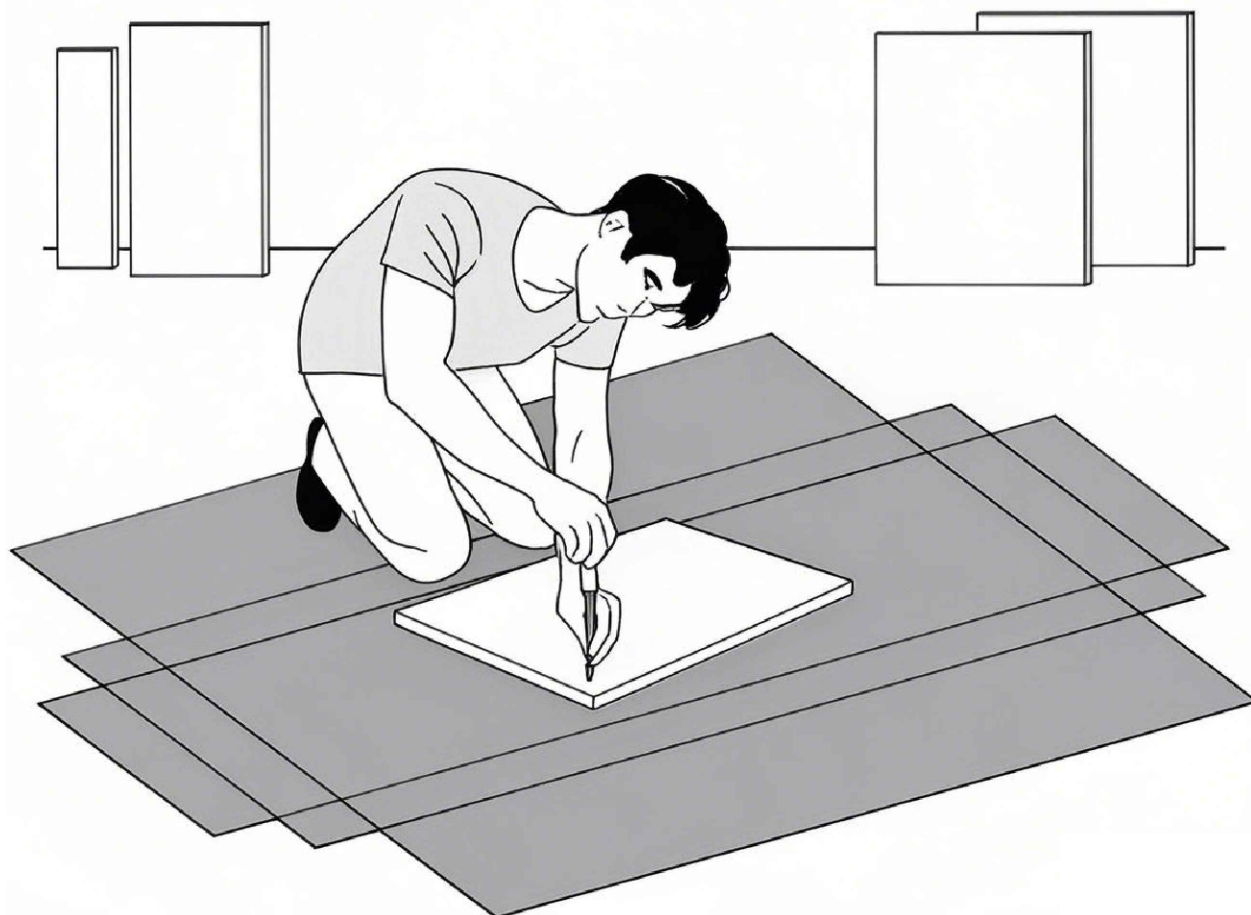
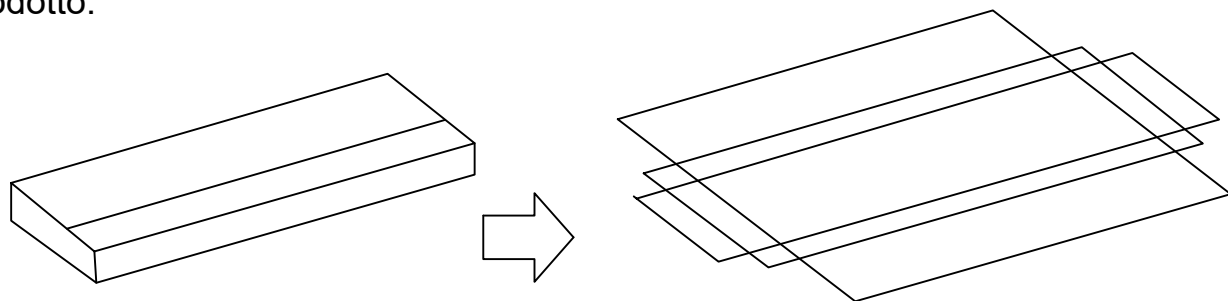
Assemblez le meuble sur une surface propre et plane et couvrez-le avec le carton de l'emballage du produit.

Um Beschädigungen zu vermeiden, montieren Sie den Artikel auf einer weichen, sauberen Unterlage. Tipp: Legen Sie den Artikel auf dem Verpackungskarton.

Montar el mueble sobre una superficie limpia y plana y cubrirlo con el cartón del embalaje del producto.

Montar o móvel sobre uma superfície limpa e plana e forrá-la com o papelão da embalagem do produto.

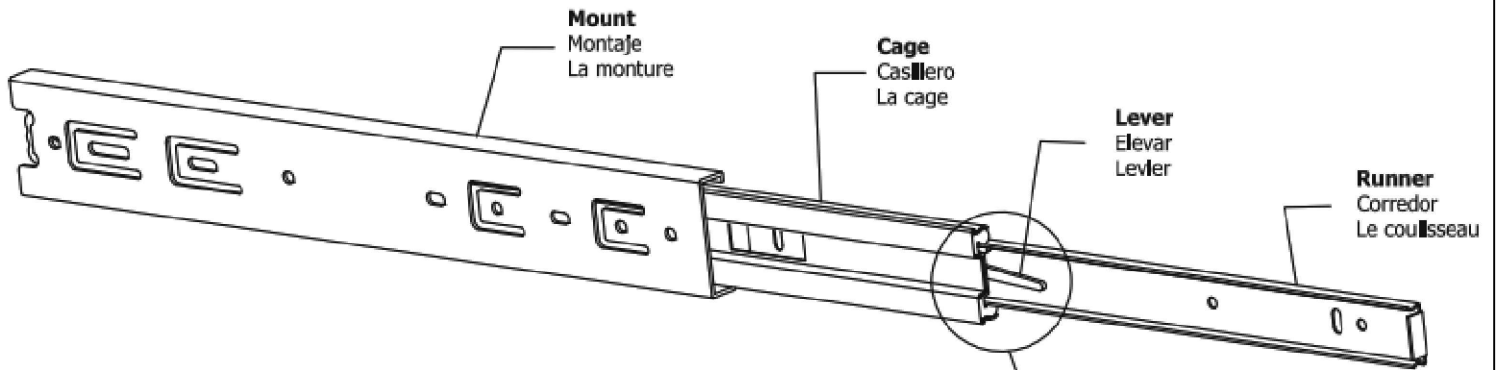
Montare il mobile su una superficie pulita e piana e rivestirla con il cartone d'imballaggio del prodotto.



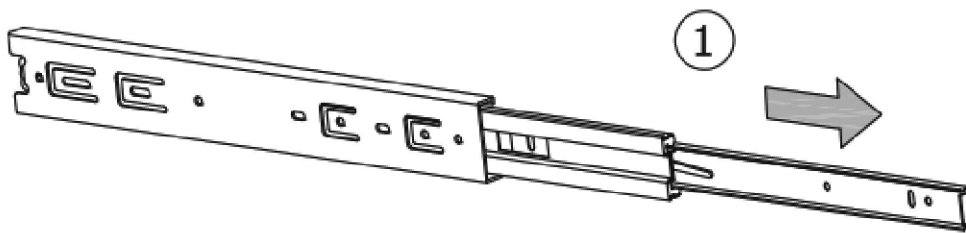
**Slides Must Be Separated Before Assembly.  
After Separated, Set Aside Until Needed for Assembly.**

Las diapositivas deben separarse antes del montaje.  
Después de la separación, déjelo a un lado hasta que sea necesario.

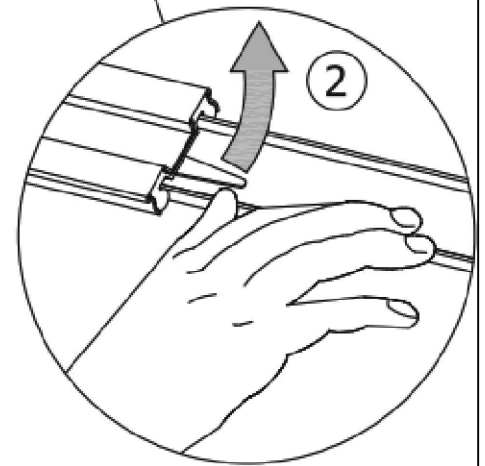
Les glissières doivent être séparées avant l'assemblage.  
Après la séparation, mettez de côté jusqu'au moment de l'assemblage.



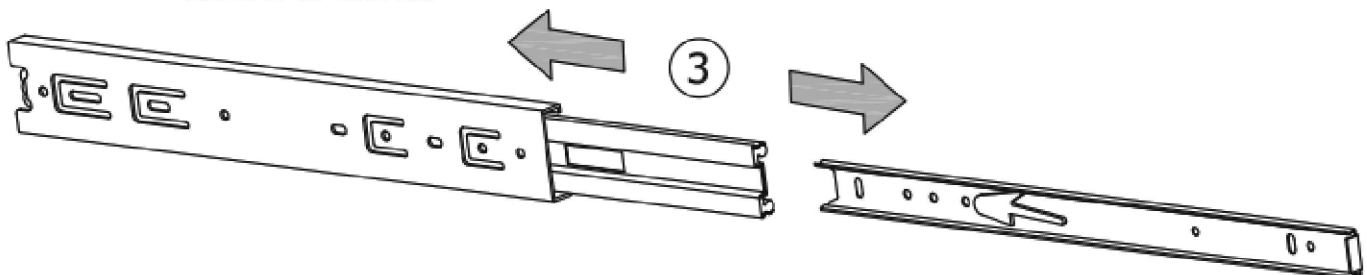
**STEP 1: Extend Slide**  
Extender la diapositiva  
Extendre la diapositive



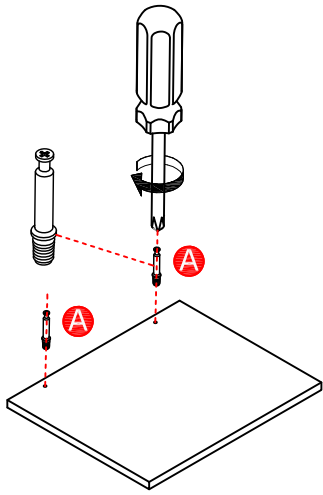
**STEP 2: Push Lever UP**  
Empujar hacia arriba  
Levier le levier



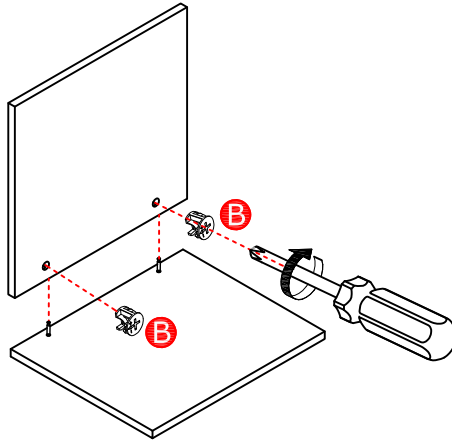
**STEP 3: Remove Runner**  
Quitar el corredor  
Enlever le coureur



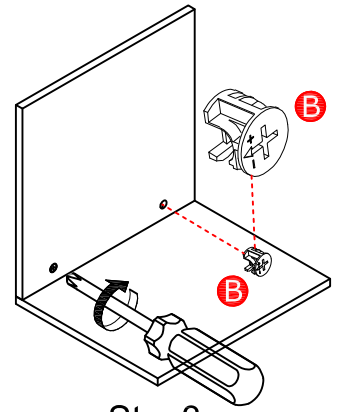
Use parts **A** and **B**



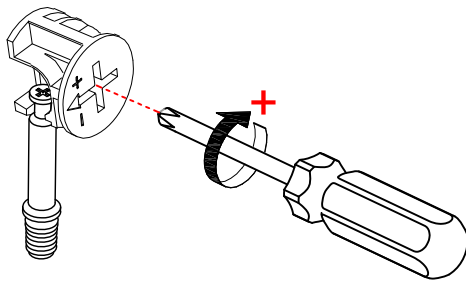
Step1



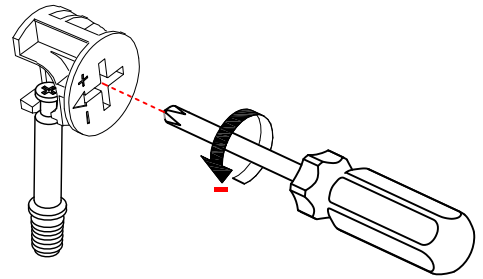
Step2



Step3

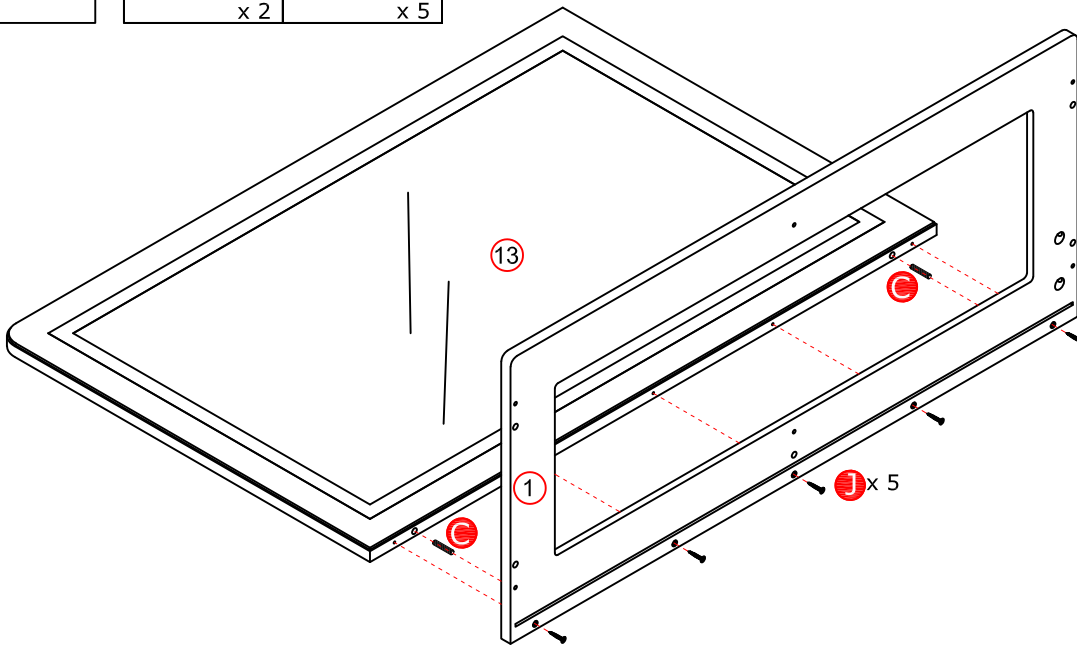
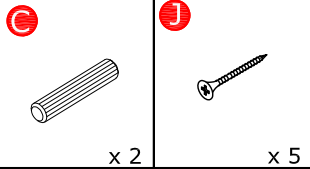


Use a screwdriver to lock in the direction of the "+" sign



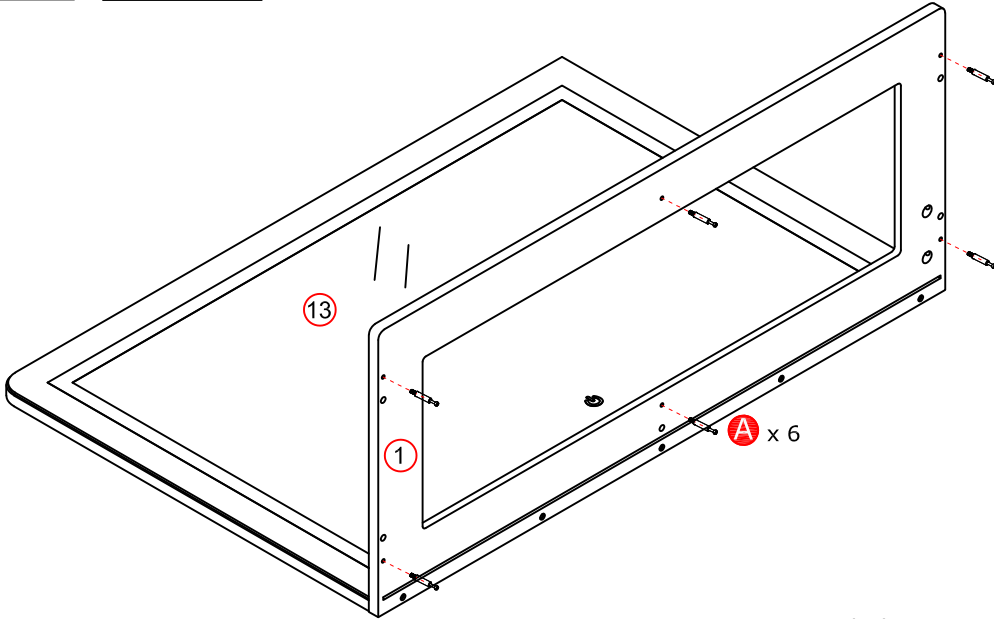
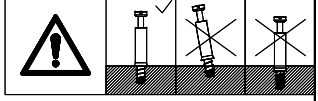
Disassemble along the direction of "-" sign

**1**



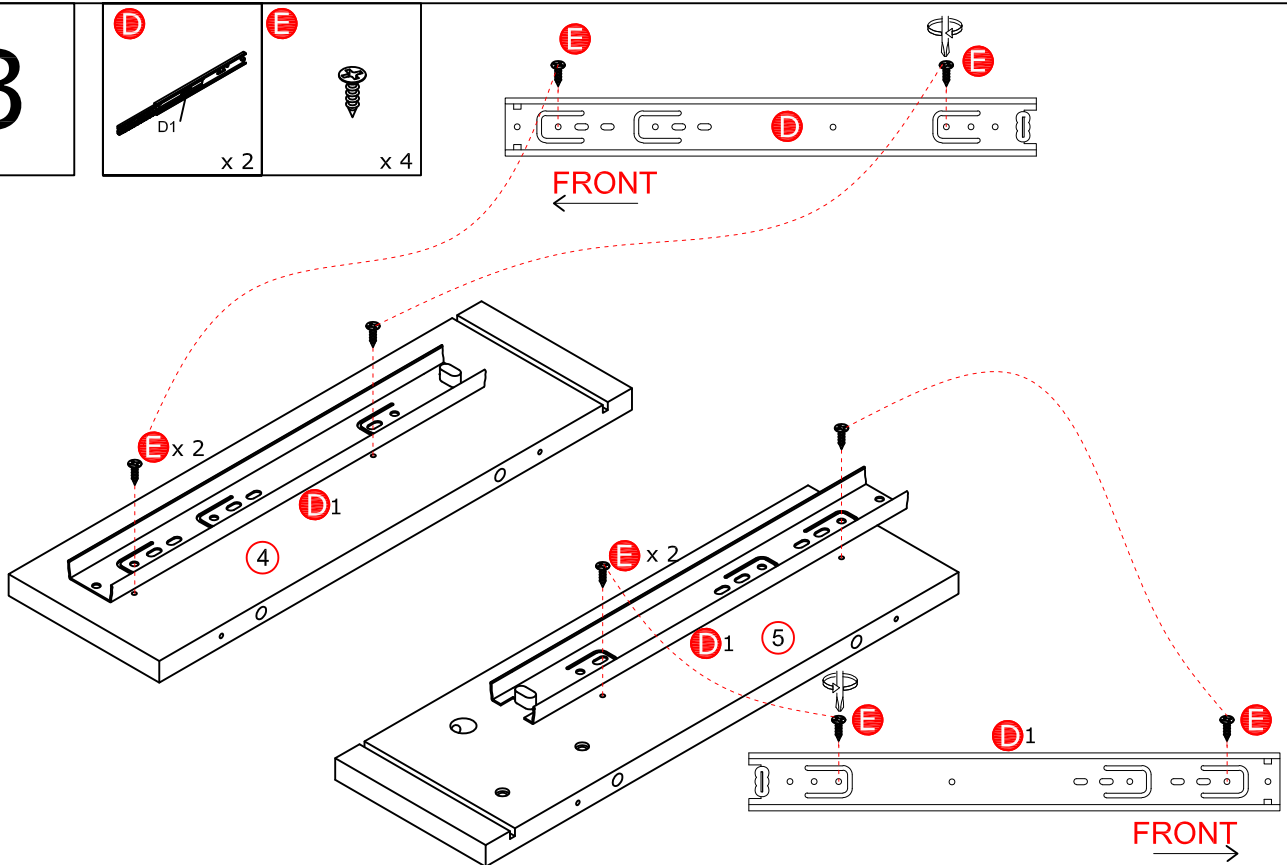
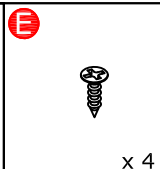
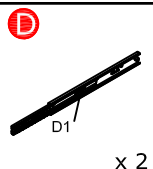
As shown in the picture, Insert the wooden dowel (C) into one side of plate 13 . Connect plate 13 to plate 1 , use screws (J) to connect parts 13 with part 1.

# 2



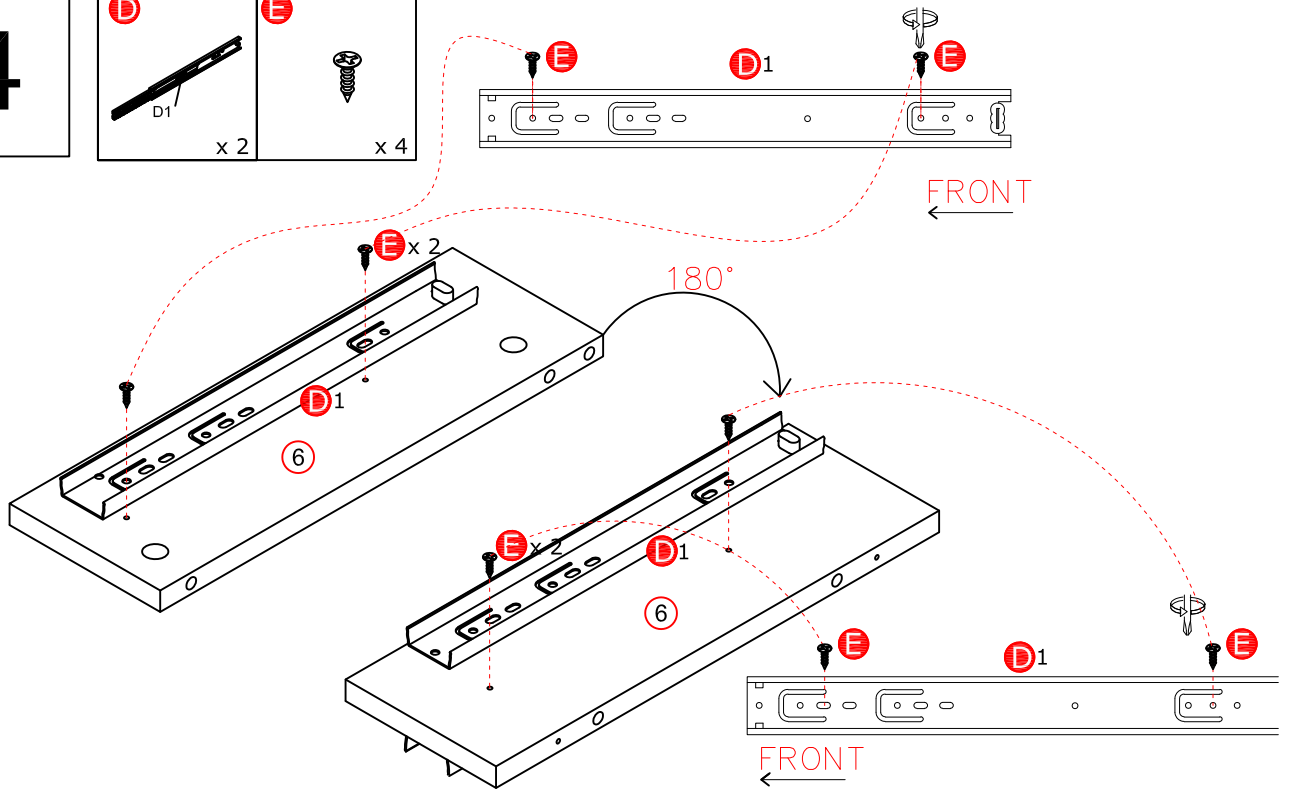
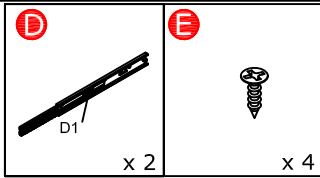
Tighten the screws(A) into the corresponding holes in parts 1, ensuring they are locked vertically.

# 3



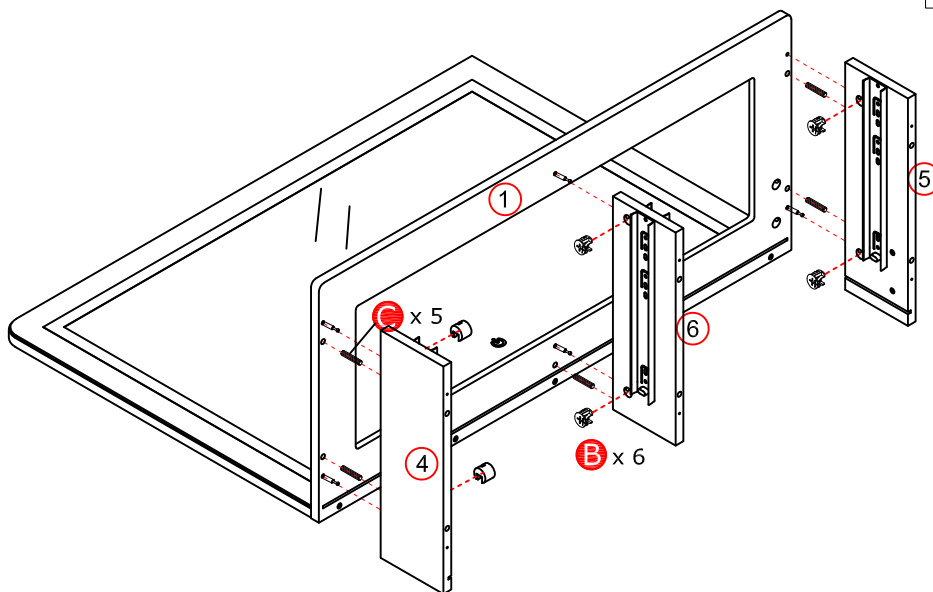
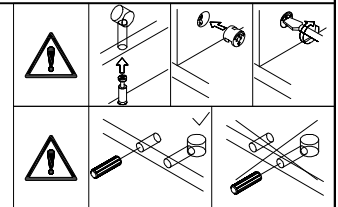
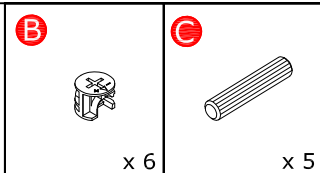
Referring to the illustration, install the drawer slide (D1) on part 4 & 5 and screw (E) into the corresponding holes of the slide (D1) according to the hole position example drawing; Check the corresponding part number holes in the illustration.

# 4



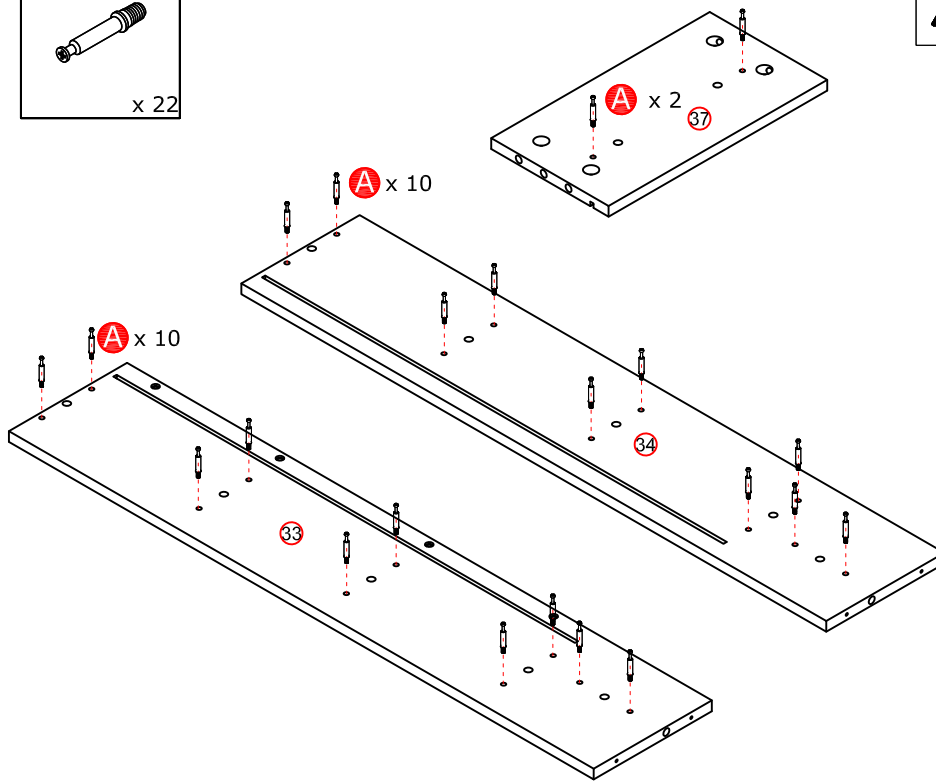
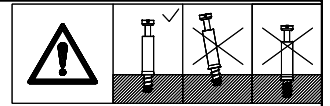
Referring to the illustration, install the drawer slide (D1) on part 6 and screw (E) into the corresponding holes of the slide (D1) according to the hole position example drawing; then flip 180° and repeat the above steps, Check the corresponding part number holes in the illustration.

# 5



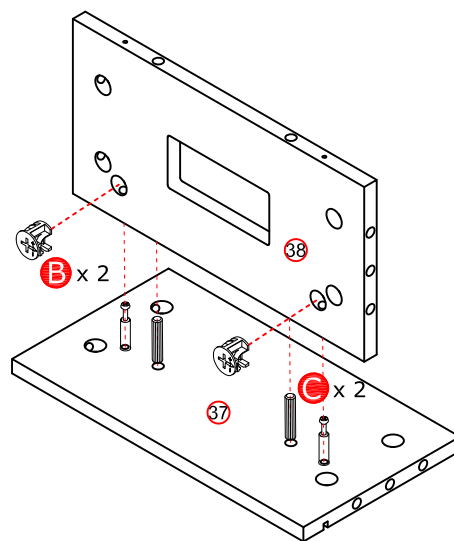
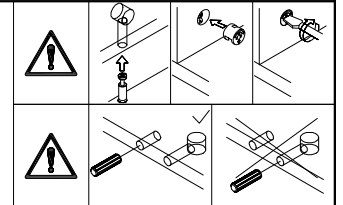
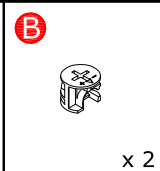
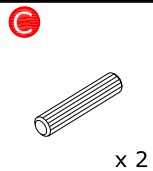
Insert the wooden dowel (C) plate 4 & 5 & 6. Connect plate 4 & 5 & 6 to plate 1, then insert the snap lock (B) into the hole on plate 4 & 5 and 6 and tighten by turning clockwise as shown.

# 6



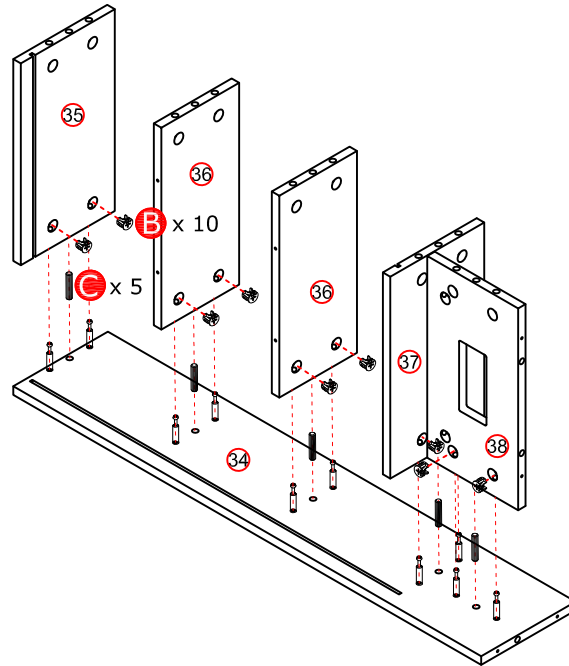
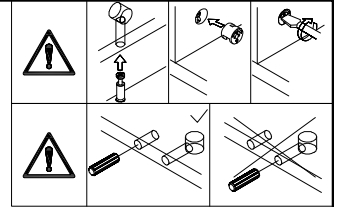
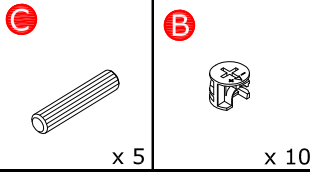
Tighten the screws(A)into the corresponding holes in parts 33 & 34 and 37, ensuring they are locked vertically.

# 7



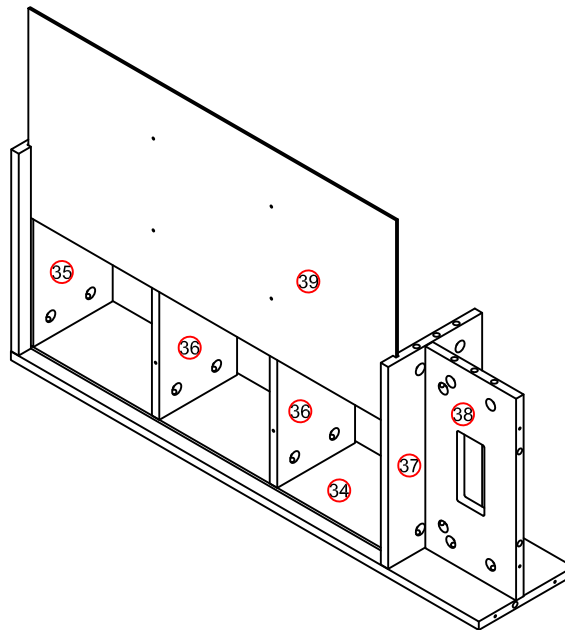
Insert the wooden dowel (C) plate 38. Connect plate 38 to plate 37, then insert the snap lock (B) into the hole on plate 38 and tighten by turning clockwise as shown.

# 8



Insert the wooden dowel (C) plate 34. Connect plate 35 & 36 & 37 & 38 to plate 34, then insert the snap lock (B) into the hole on plate 35 & 36 & 37 & 38 and tighten by turning clockwise as shown.

# 9



As shown in the picture, Slide Back plate 39 along available grooves.

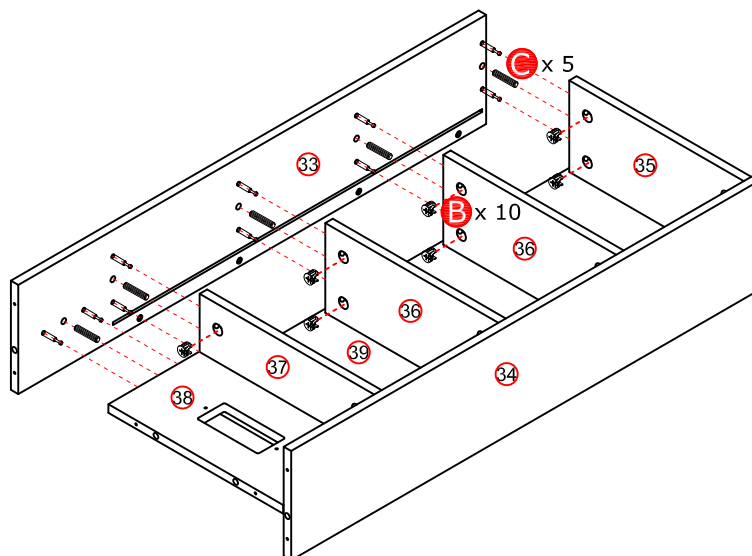
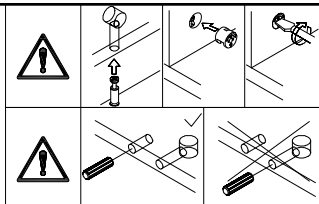
# 10

**C**

x 5

**B**

x 10

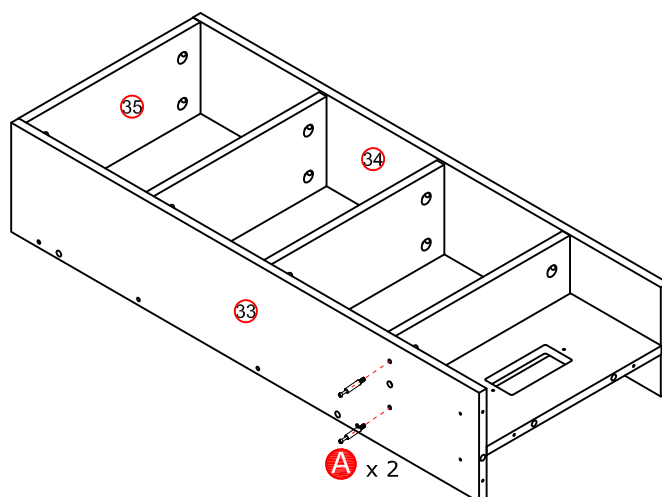
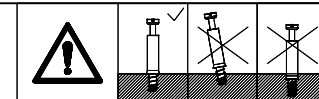


Insert the wooden dowel (C) plate 33. Connect plate 35 & 36 & 37 & 38 to plate 33, then insert the snap lock (B) into the hole on plate 35 & 36 & 37 & 38 and tighten by turning clockwise as shown.

# 11

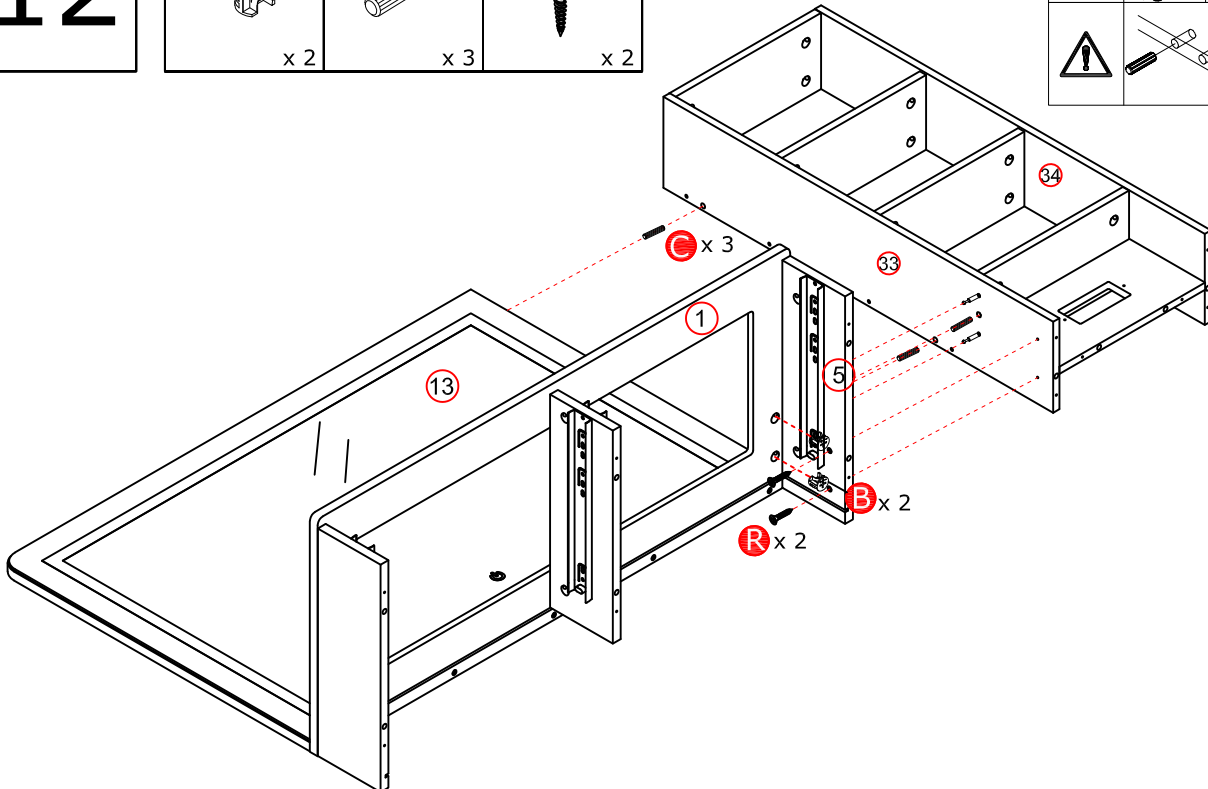
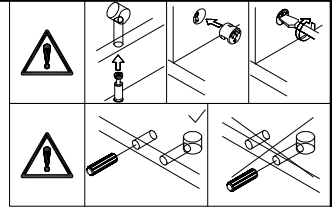
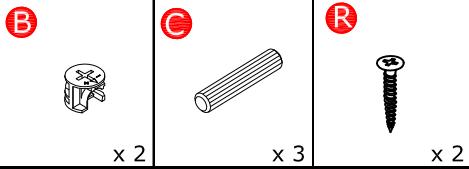
**A**

x 2



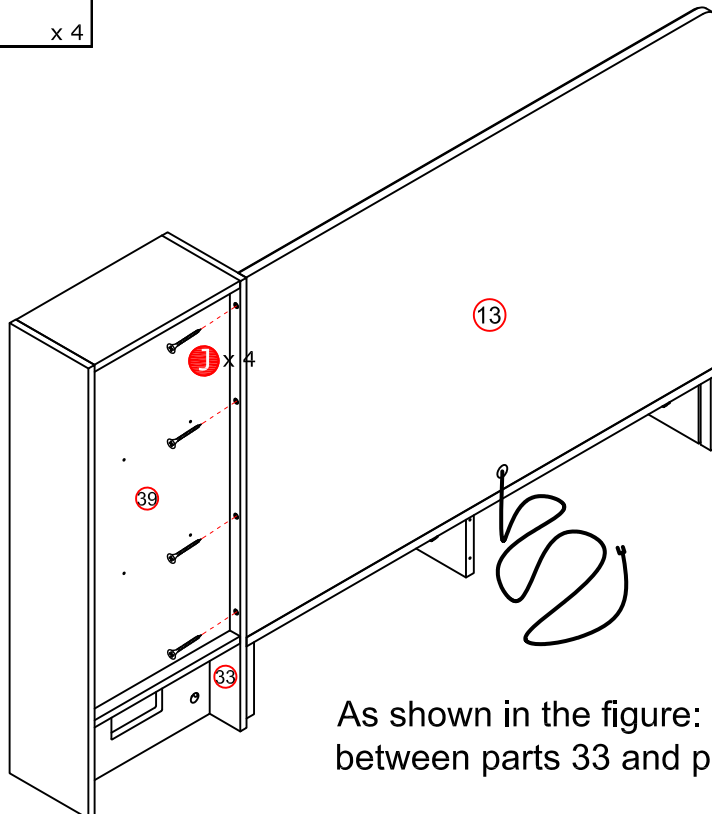
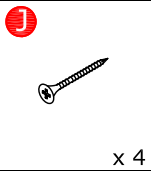
Tighten the screws(A) into the corresponding holes in parts 33, ensuring they are locked vertically.

# 12



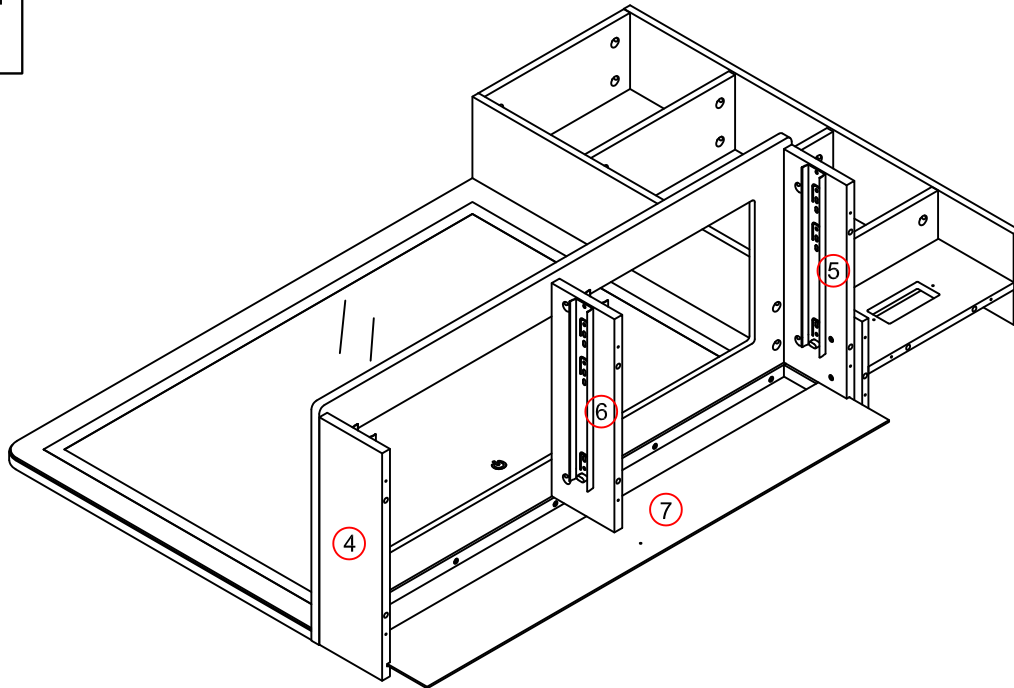
Insert the wooden dowel (C) plate 1 & 13. Connect plate 1 & 13 to plate 33, then insert the snap lock (B) into the hole on plate 1 and tighten by turning clockwise as shown. use screws (P) to connect parts 5 with part 33

# 13



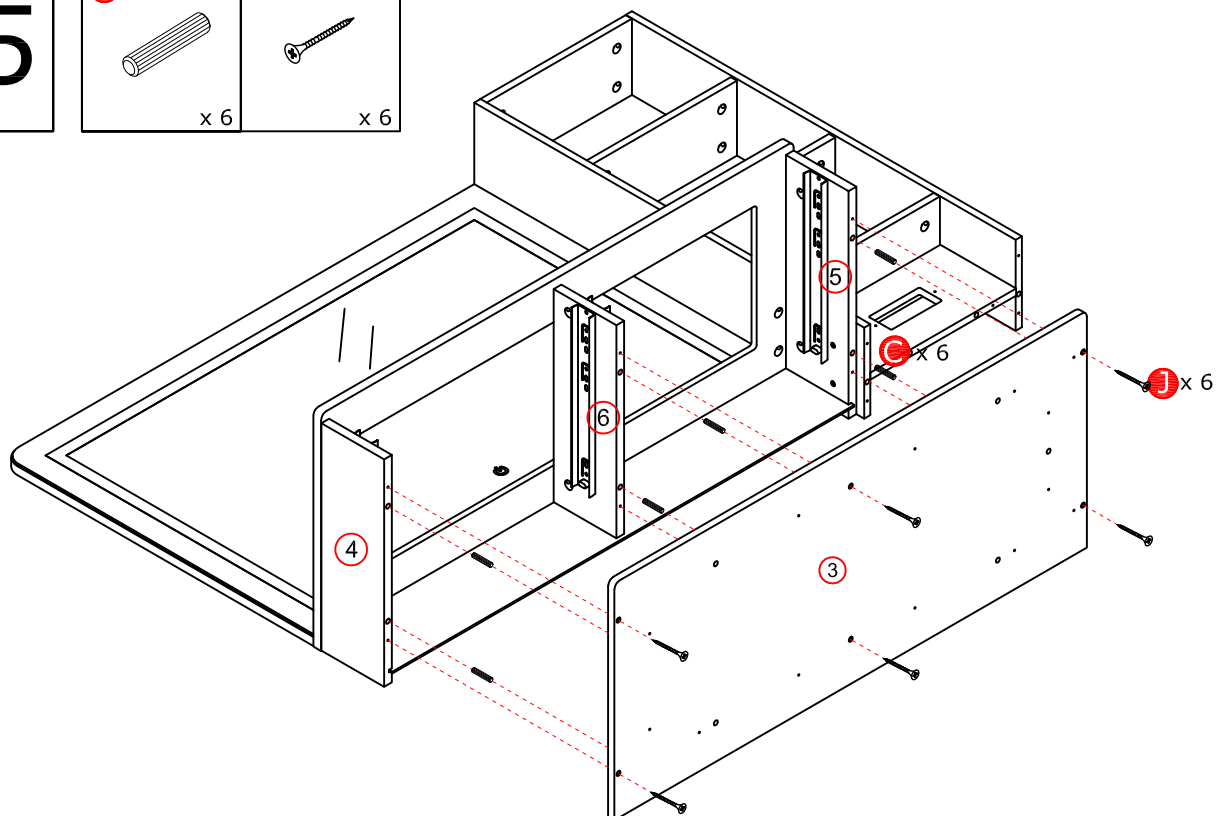
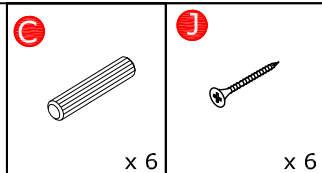
As shown in the figure: reinforce the connection between parts 33 and part 13 with screws (J)

# 14



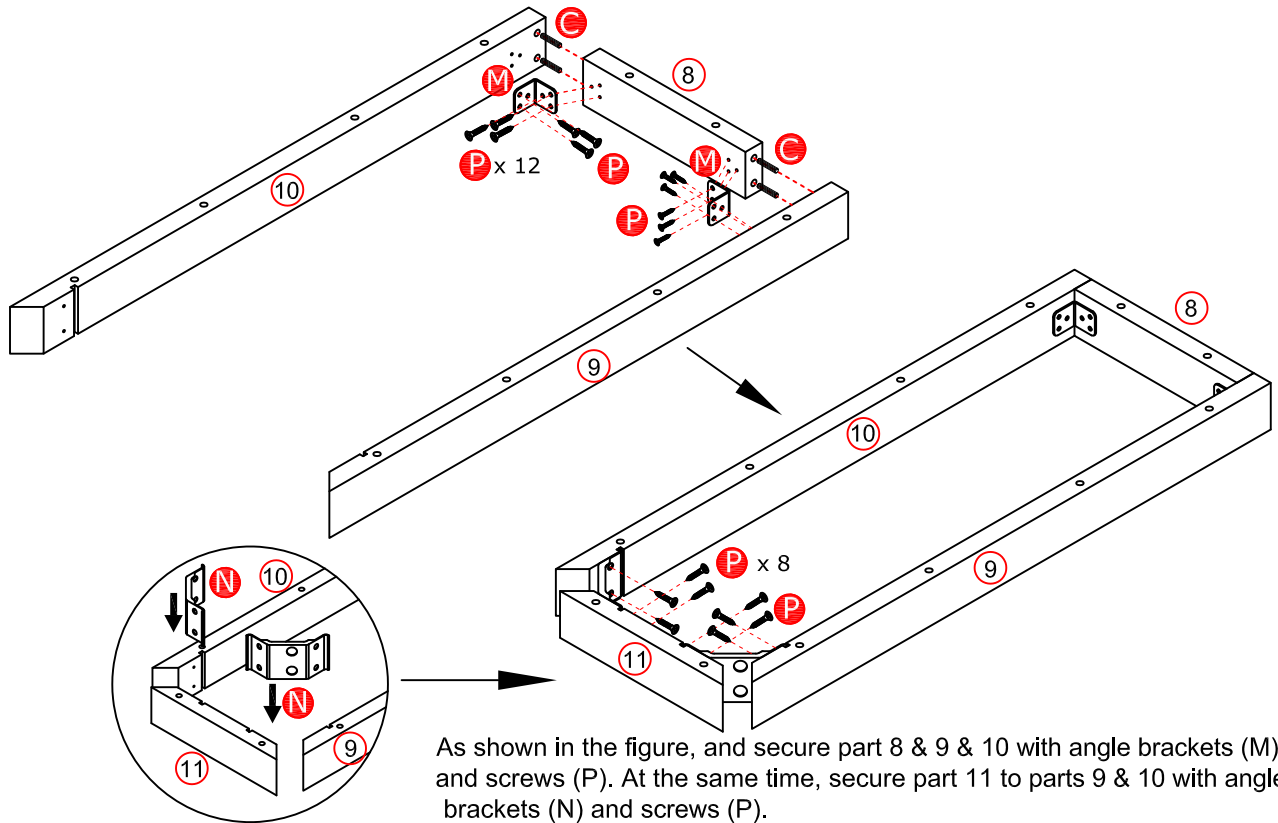
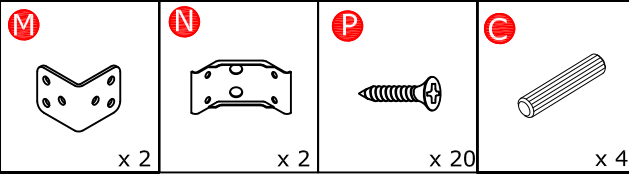
As shown in the picture, Slide Back plate 7 along available grooves.

# 15

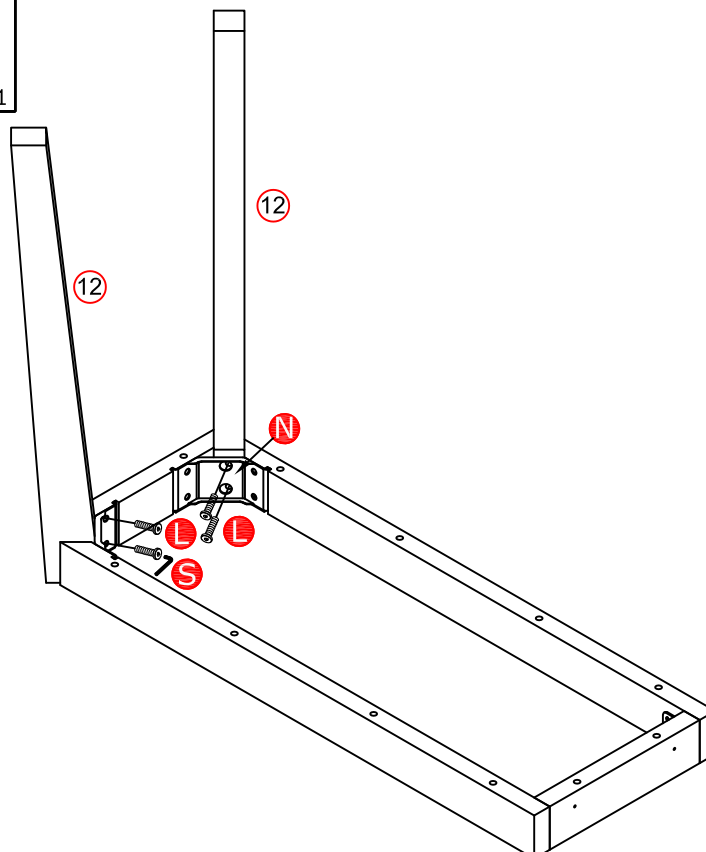
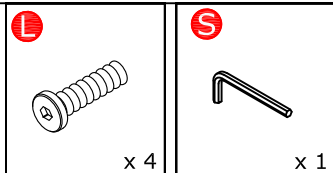


As shown in the picture, Insert the wooden dowel (C) into one side of plate 4 & 5 & 6 . Connect plate 4 & 5 & 6 to plate 3, use screws (J) to connect parts 4 & 5 & 6 with part 3.

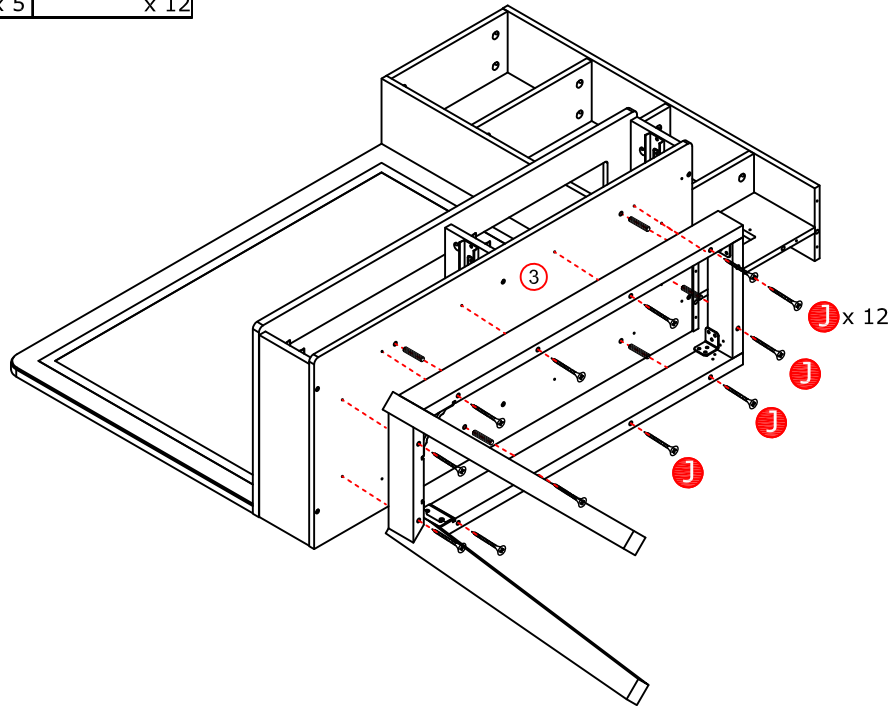
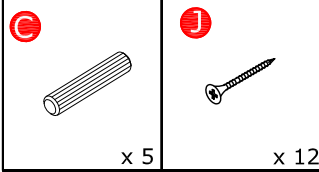
# 16



# 17

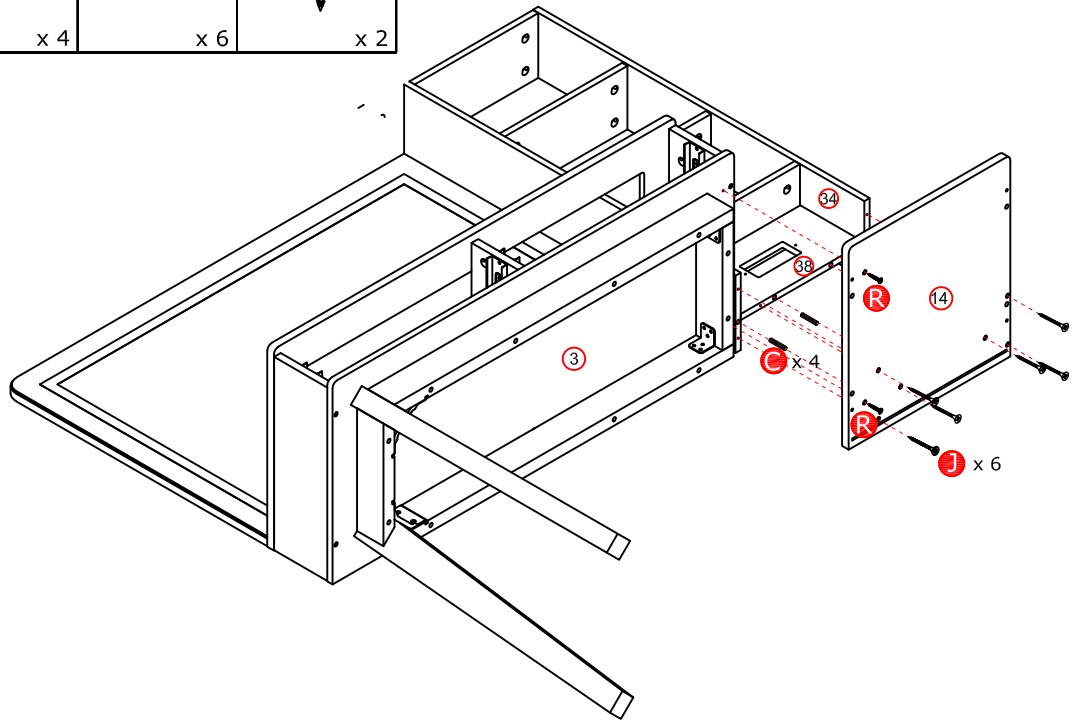
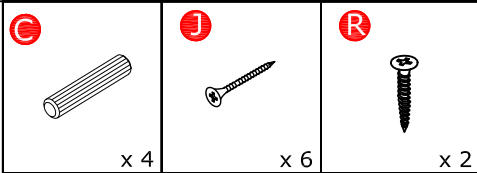


# 18



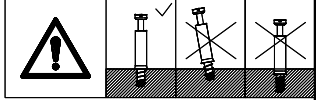
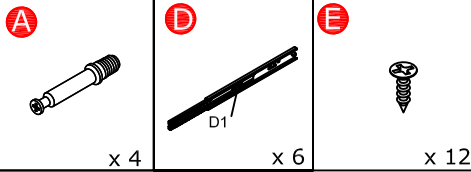
As shown in the figure, insert the wooden dowel (C) into the corresponding holes of parts 8 & 9 and 10 to connect with the base plate 3 of main body, and then assemble the base frame with the main body with screws (J).

# 19

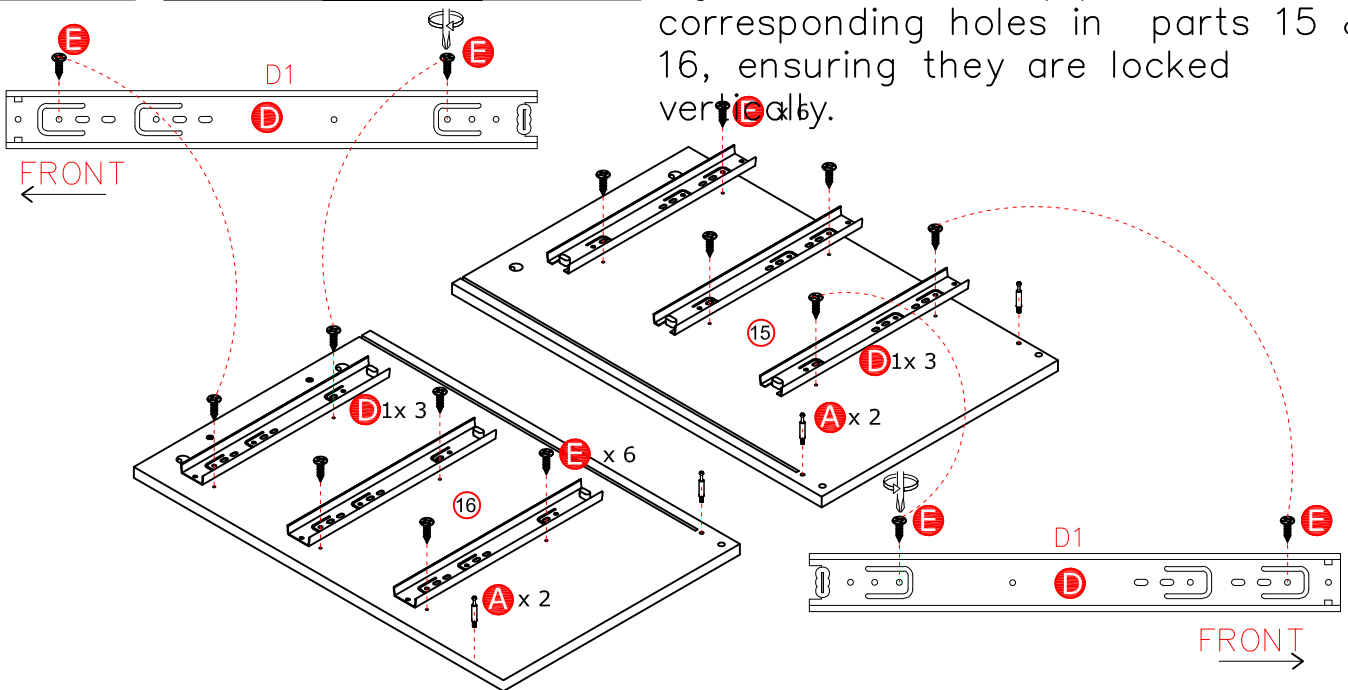


As shown in the picture, insert the wooden dowel (C) into one side of plate 14. Connect plate 33 & 34 & 38 to plate 14, use screws (J) to connect parts 14 with part 33 & 34 & 38. use screws (R) to connect parts 14 with part 3.

# 20

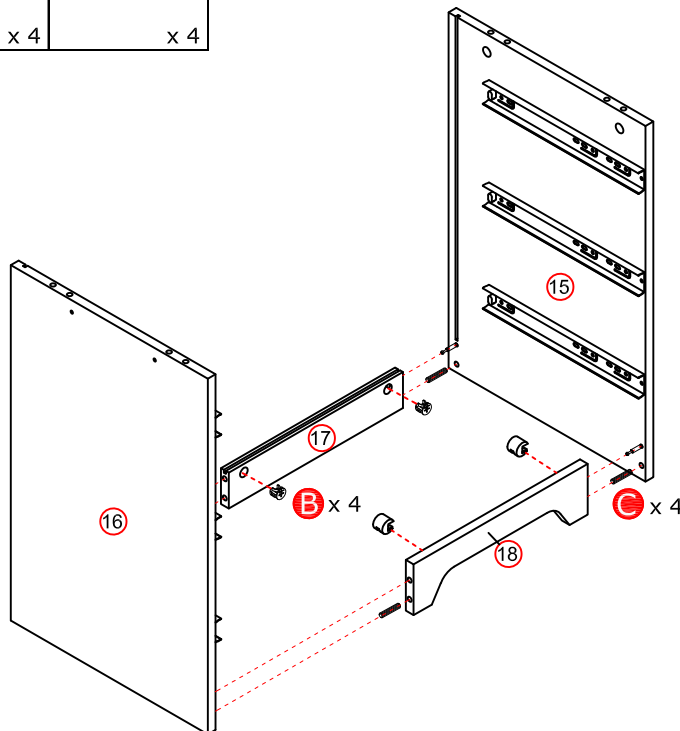
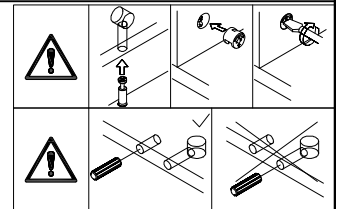
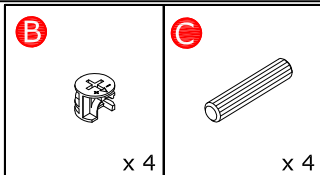


Tighten the screws (A) into the corresponding holes in parts 15 & 16, ensuring they are locked vertically.



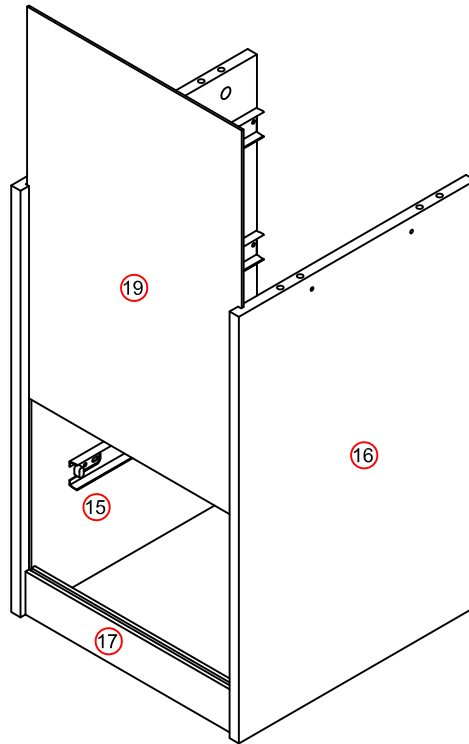
Referring to the illustration, install the drawer slide (D1) on part 15 & 16 and screw (E) into the corresponding holes of the slide (D1) according to the hole position example drawing; Check the corresponding part number holes in the illustration.

# 21



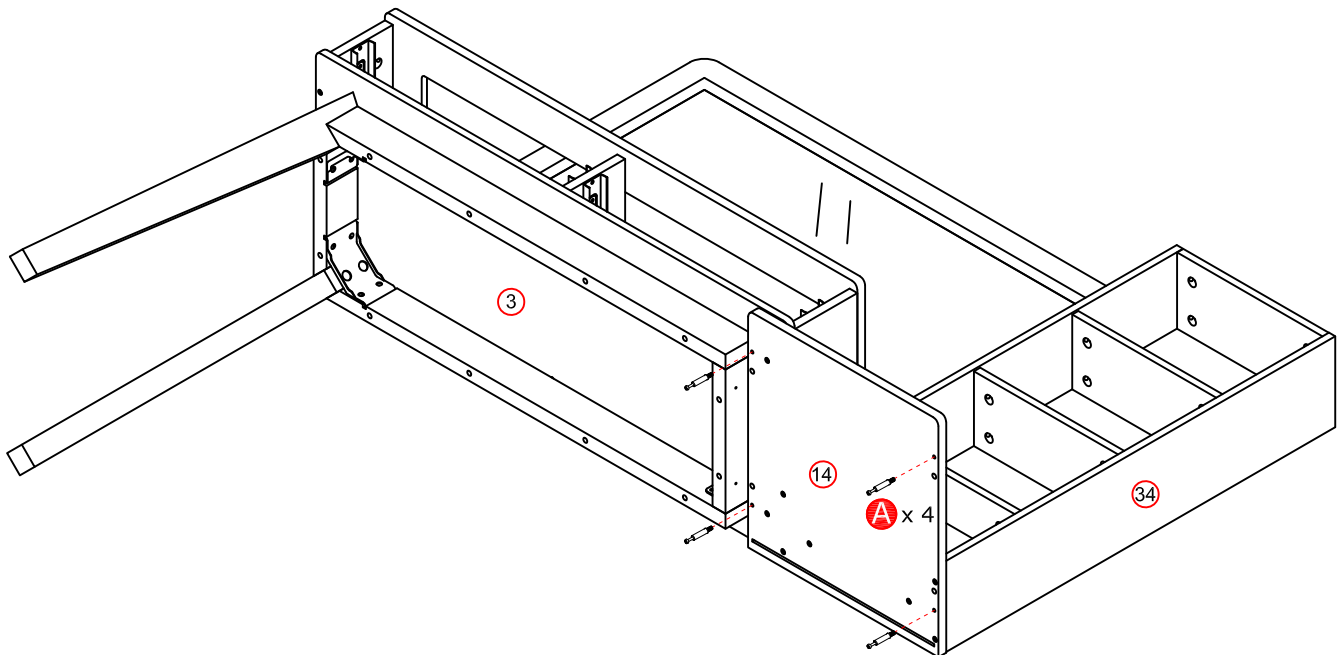
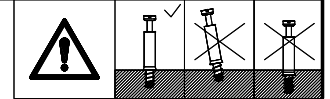
Insert the wooden dowel (C) into 2 side of plate 17 & 18. Connect plate 17 & 18 to plate 15 & 16, then insert the snap lock (B) into the hole on plate 17 & 18 and tighten by turning clockwise as shown.

# 22



As shown in the picture, Slide Back plate 19 along available grooves.

# 23



Tighten the screws(A) into the corresponding holes in parts 14, ensuring they are locked vertically.

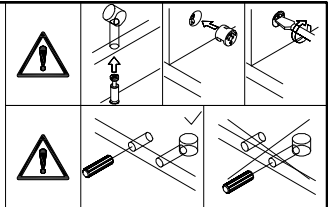
# 24

**B**

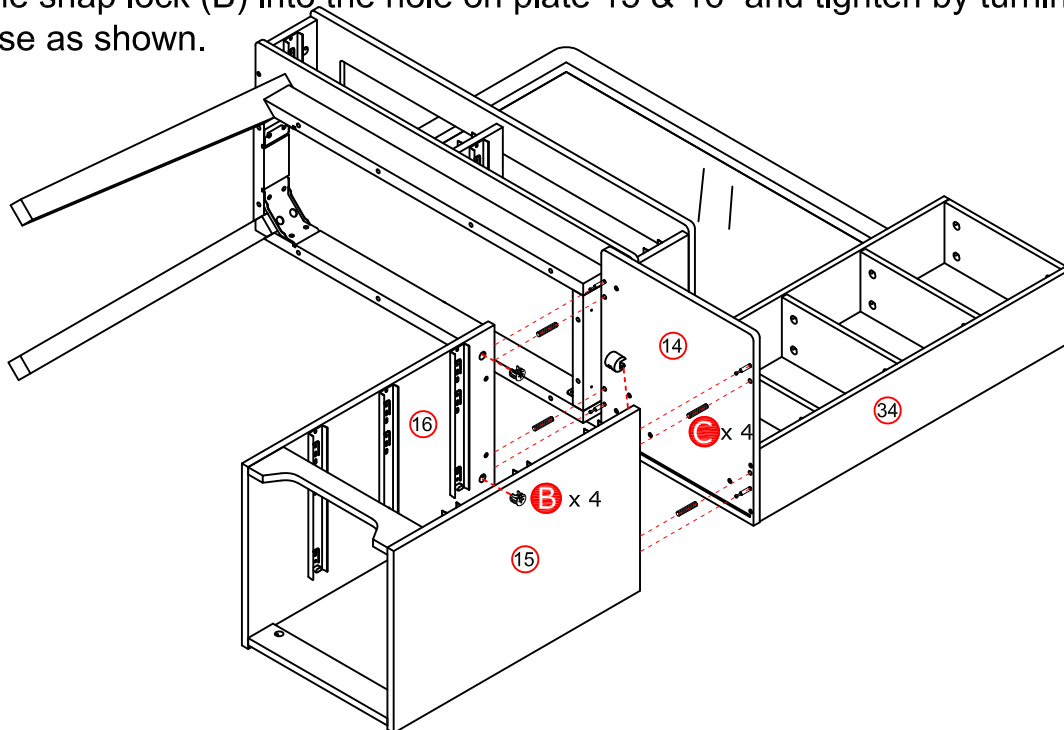
x 4

**C**

x 4



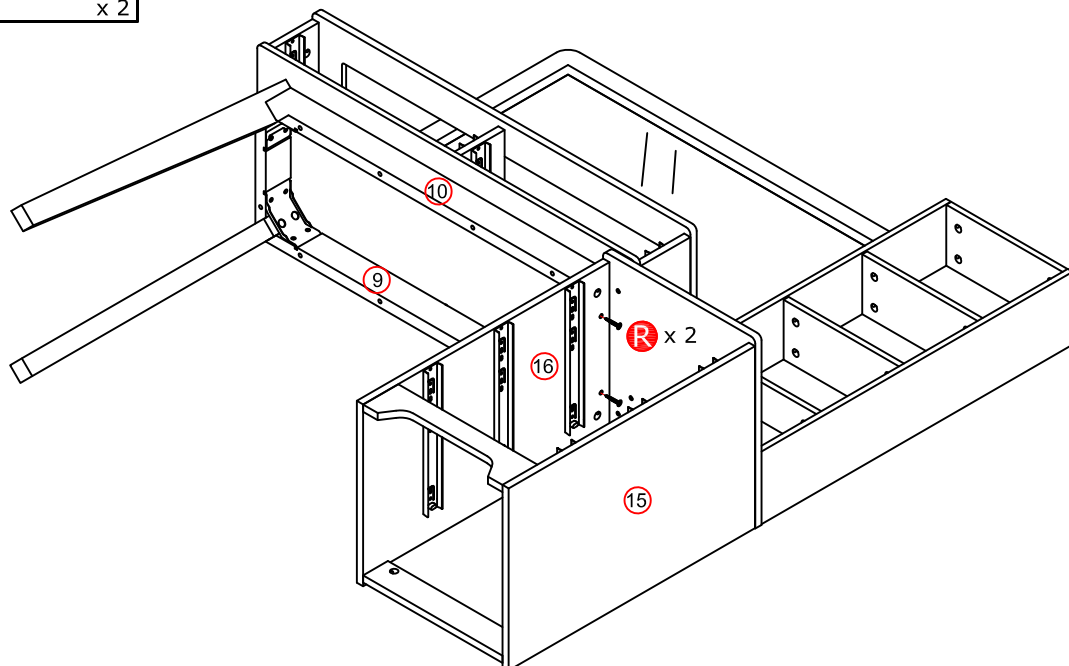
Insert the wooden dowel (C) plate 15 & 16. Connect plate 15 & 16 to plate 14, then insert the snap lock (B) into the hole on plate 15 & 16 and tighten by turning clockwise as shown.



# 25

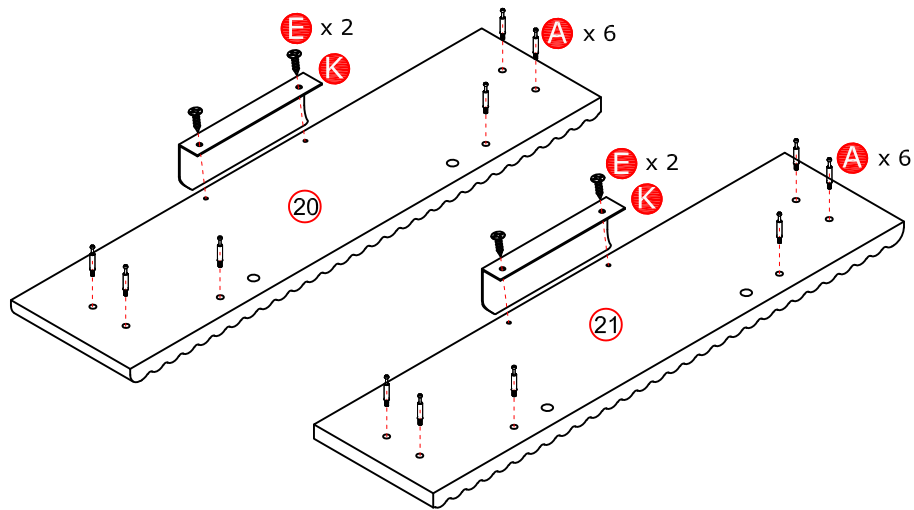
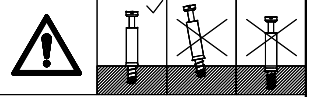
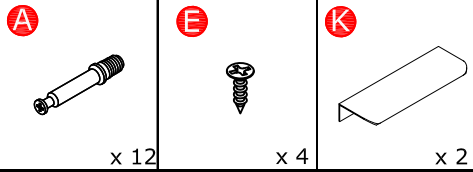
**R**

x 2



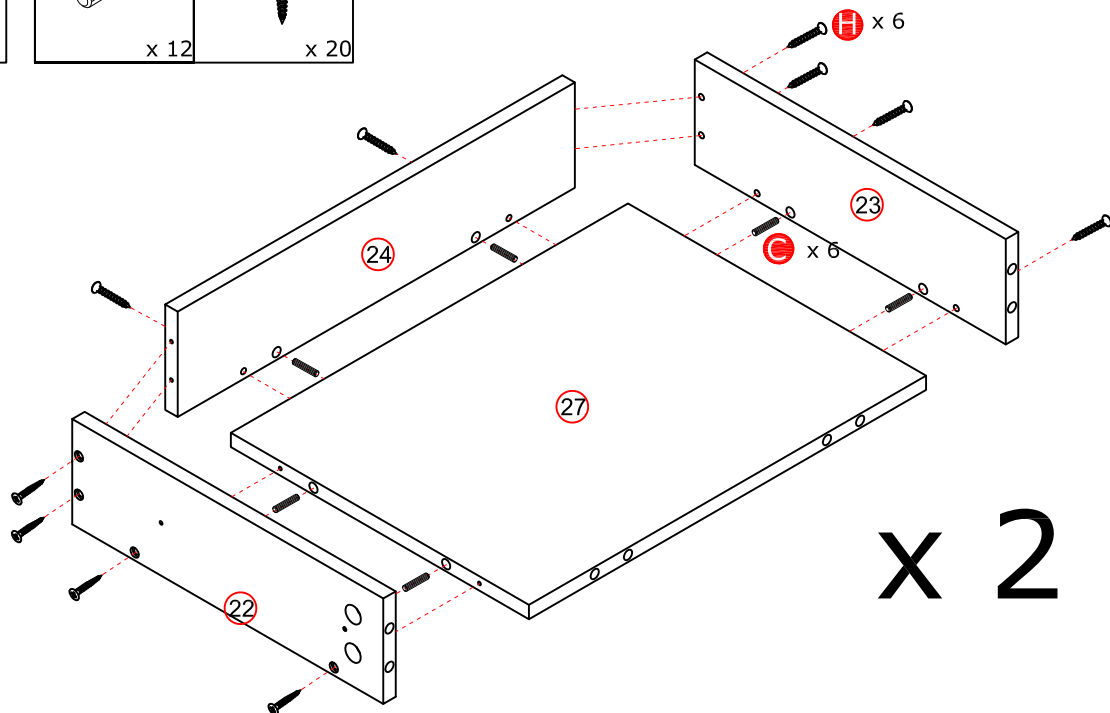
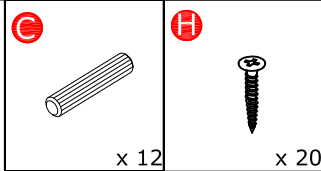
As shown in the figure, use screws (R) to connect parts 16 with part 8.

# 26



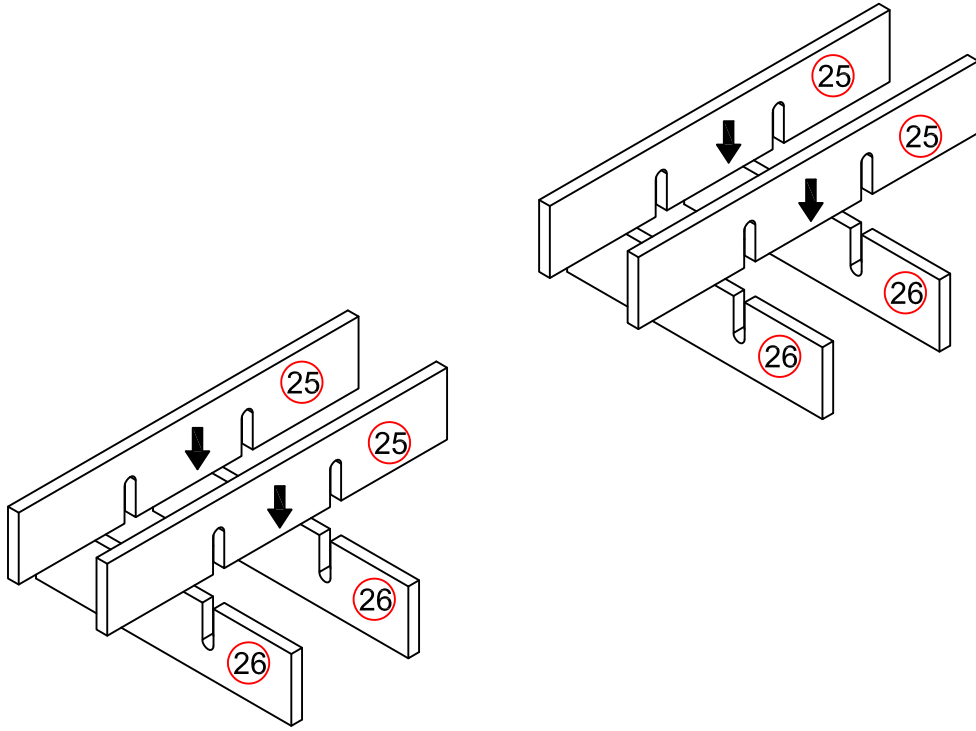
Tighten the screws(A) into the corresponding holes in parts 20 & 21, ensuring they are locked vertically. Attach the handle (K) to the part 20 & 21 with screws (E).

# 27

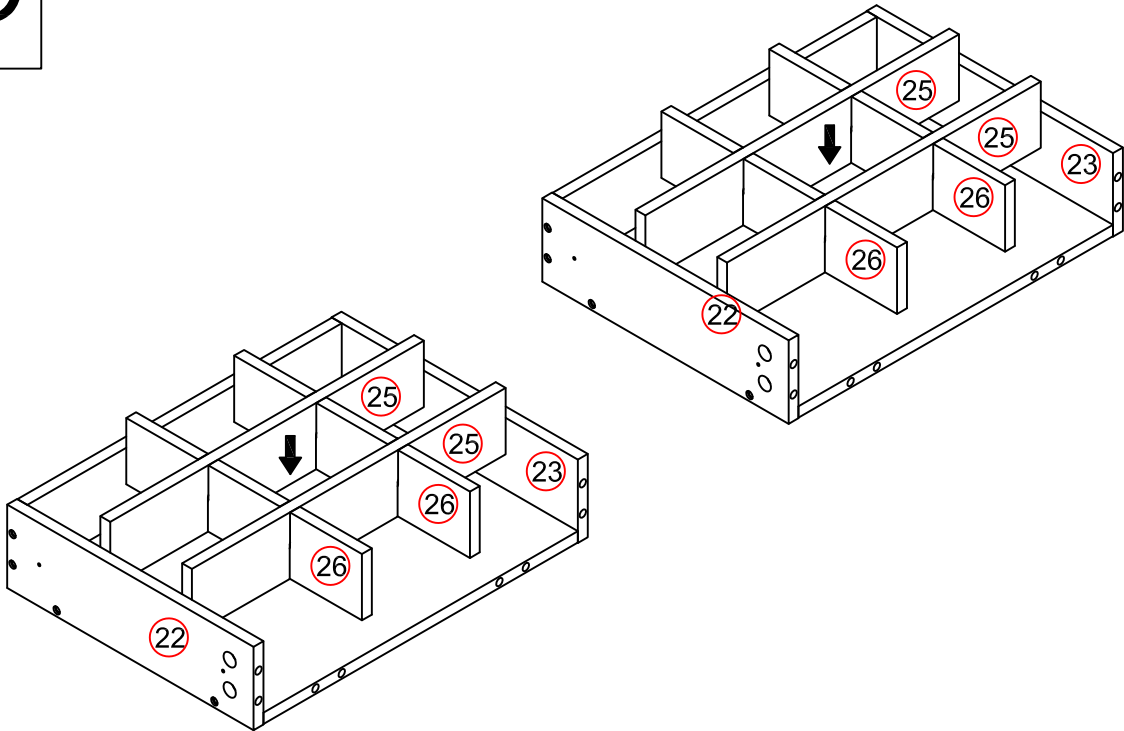


As shown in the picture, Insert the wooden dowel (C) into 3 sides of plate 27. Connect plate 22 & 23 & 24 to plate 27, use screws (H) to connect parts 22 & 23 with part 24 & 27. use screws (H) to connect parts 24 with part 27.

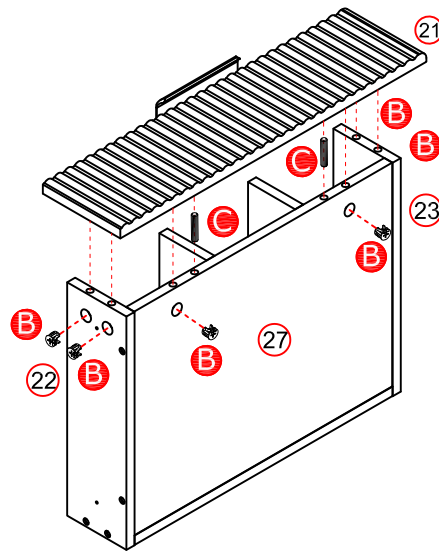
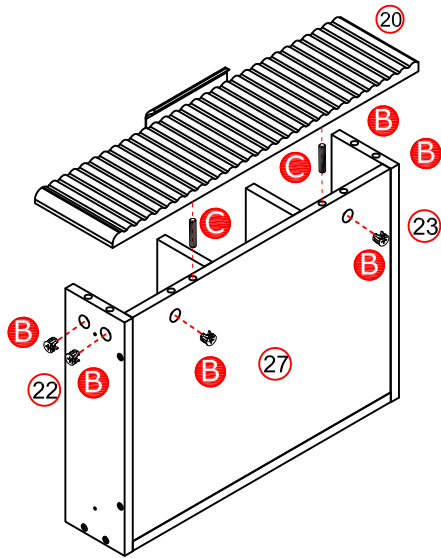
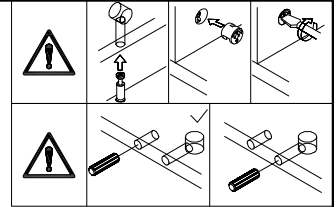
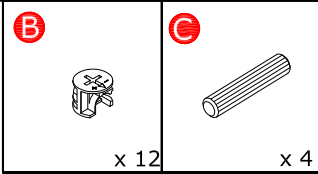
28



29

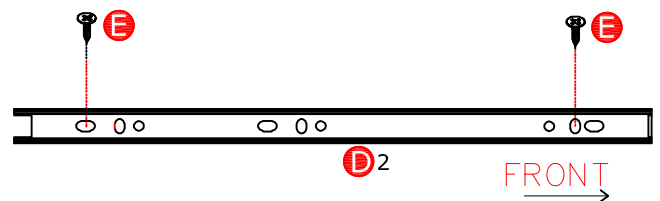
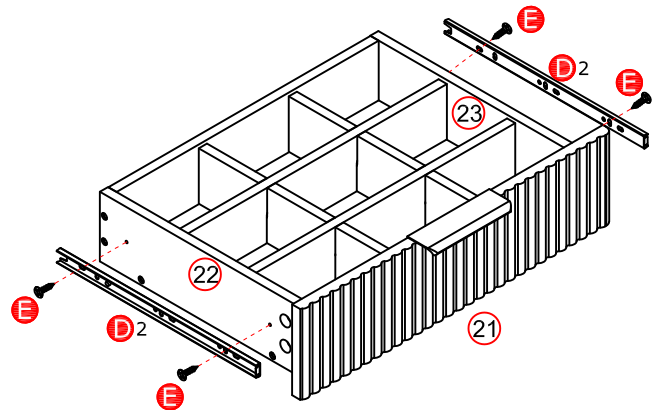
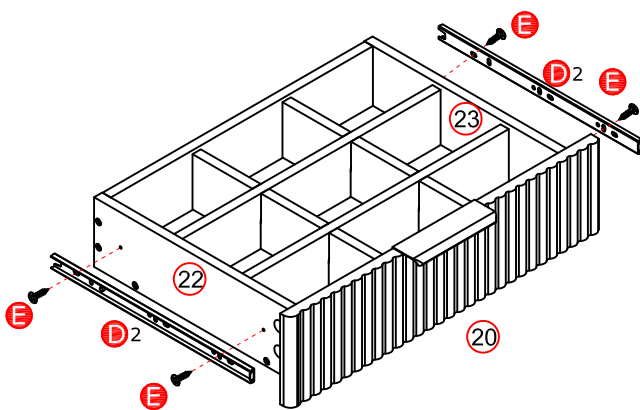
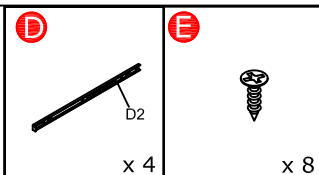


# 30



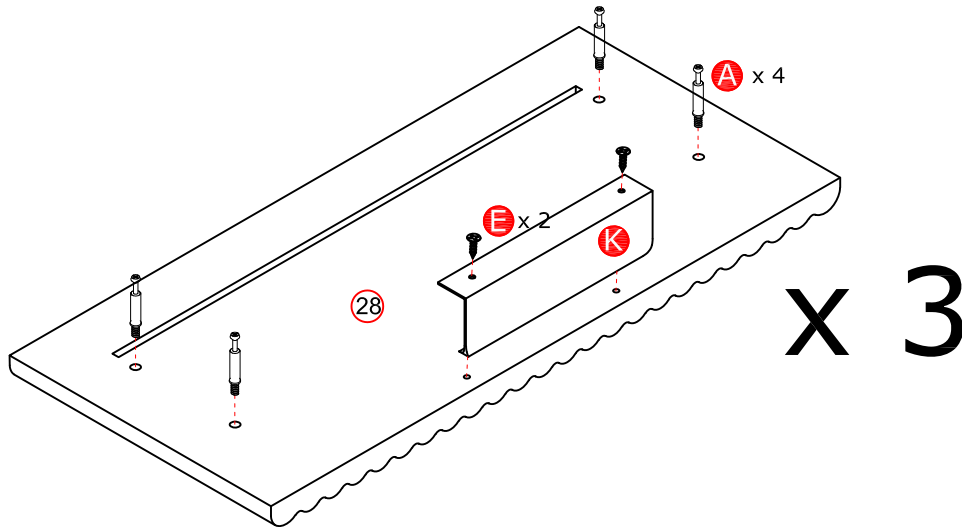
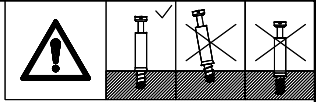
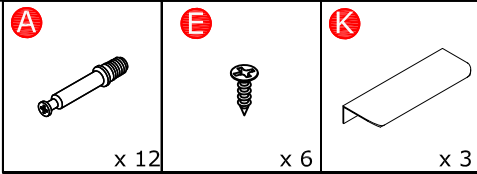
Insert the wooden dowel (C) plate 27. Connect plate 22 & 23 & 27 to plate 20 & 21, then insert the snap lock (B) into the hole on plate 22 & 23 & 27 and tighten by turning clockwise as shown.

# 31



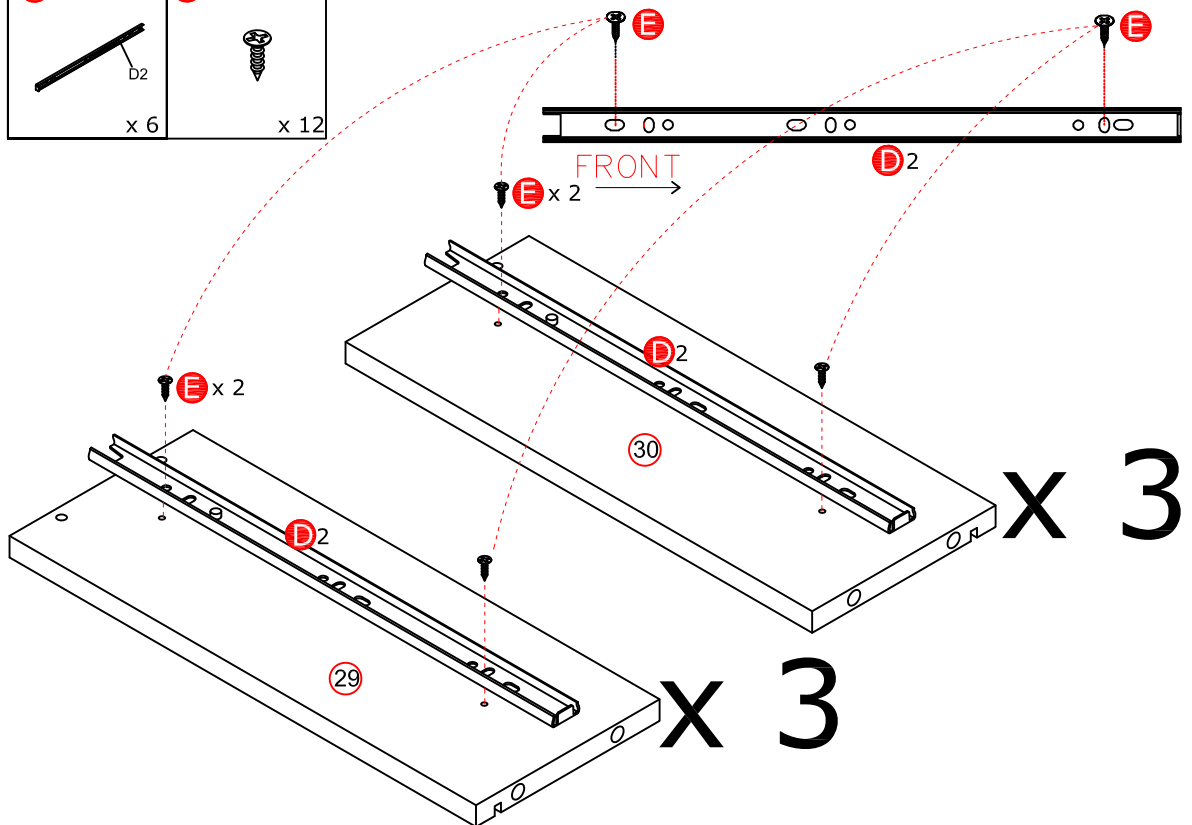
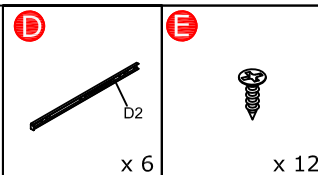
Referring to the illustration, install the drawer slide (D2) on part 22 & 23 and screw (E) into the corresponding holes of the slide (D2) according to the hole position example drawing; Check the corresponding part number holes in the illustration.

# 32



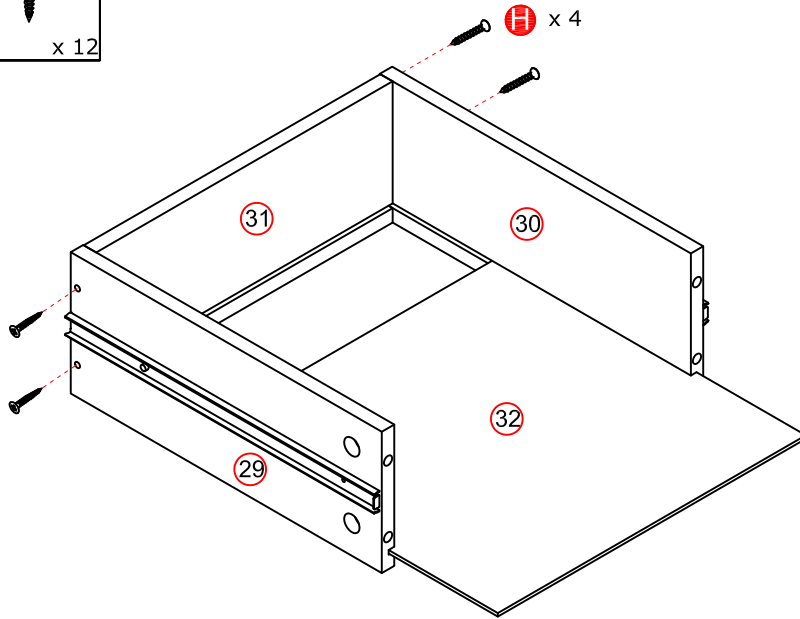
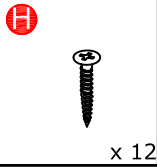
Tighten the screws(A) into the corresponding holes in parts 28, ensuring they are locked vertically. Attach the handle (K) to the part 28 with screws (E).

# 33



Referring to the illustration, install the drawer slide (D2) on part 29 & 30 and screw (E) into the corresponding holes of the slide (D2) according to the hole position example drawing; Check the corresponding part number holes in the illustration.

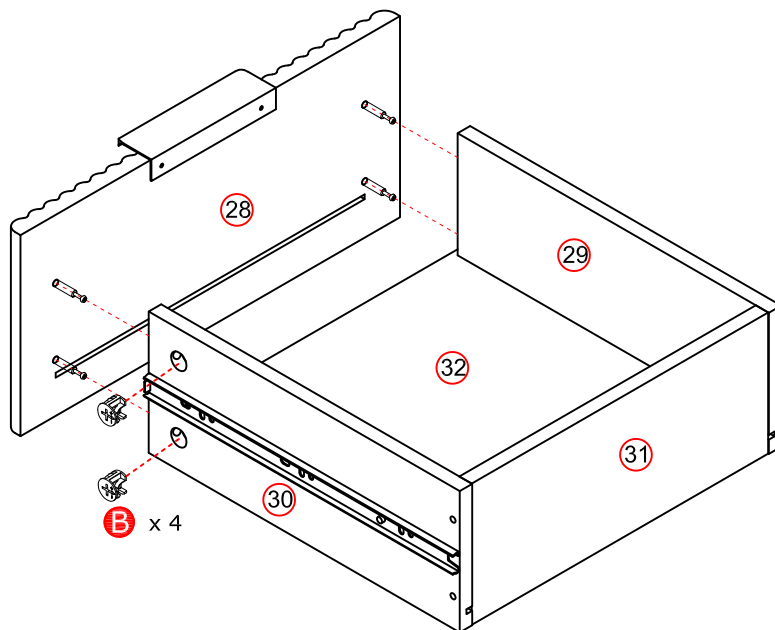
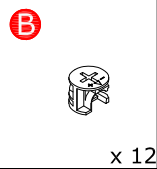
# 34



# x 3

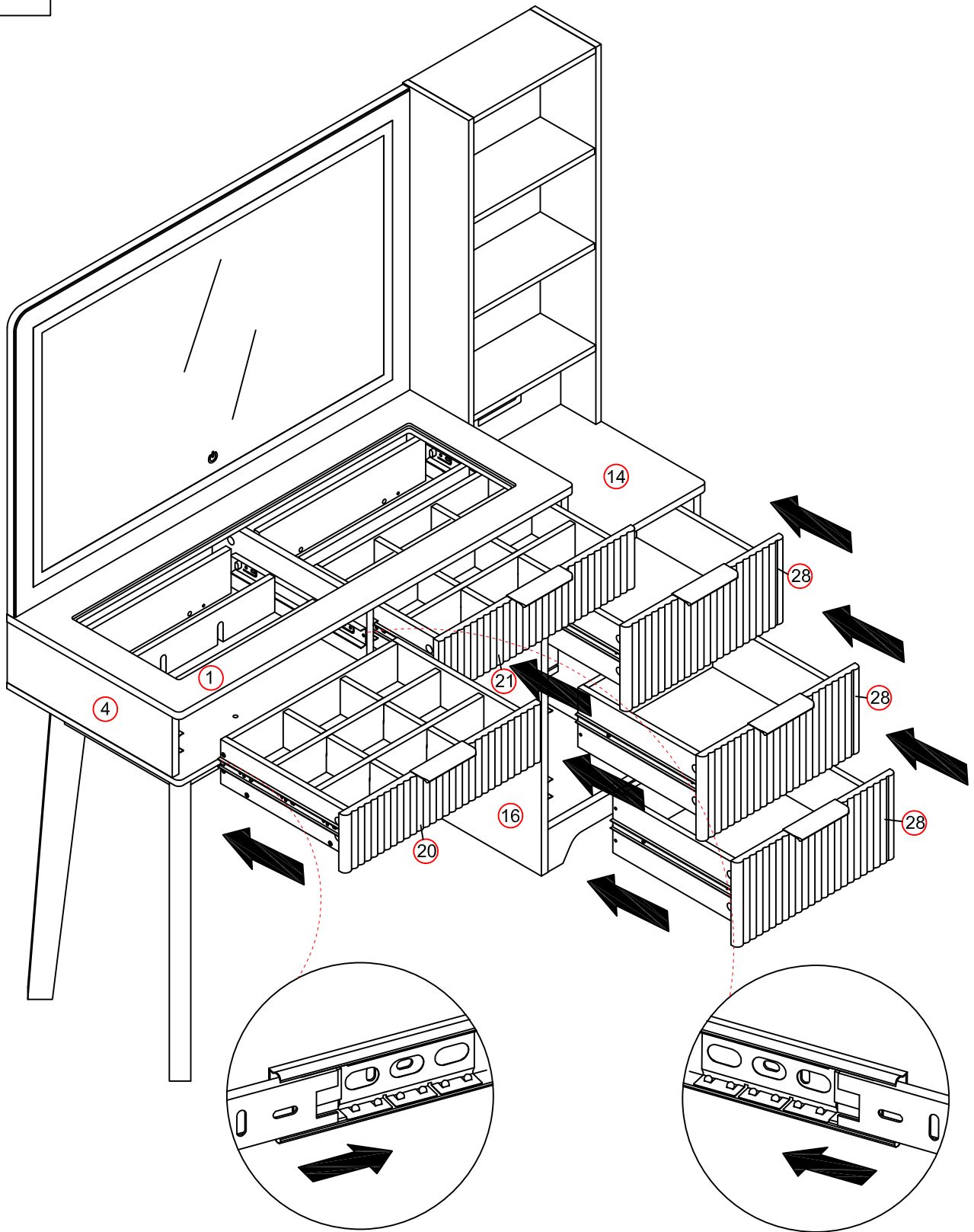
use screws (H) to connect parts 29 & 30 with part 31. Slide part 32 along available grooves.

# 35



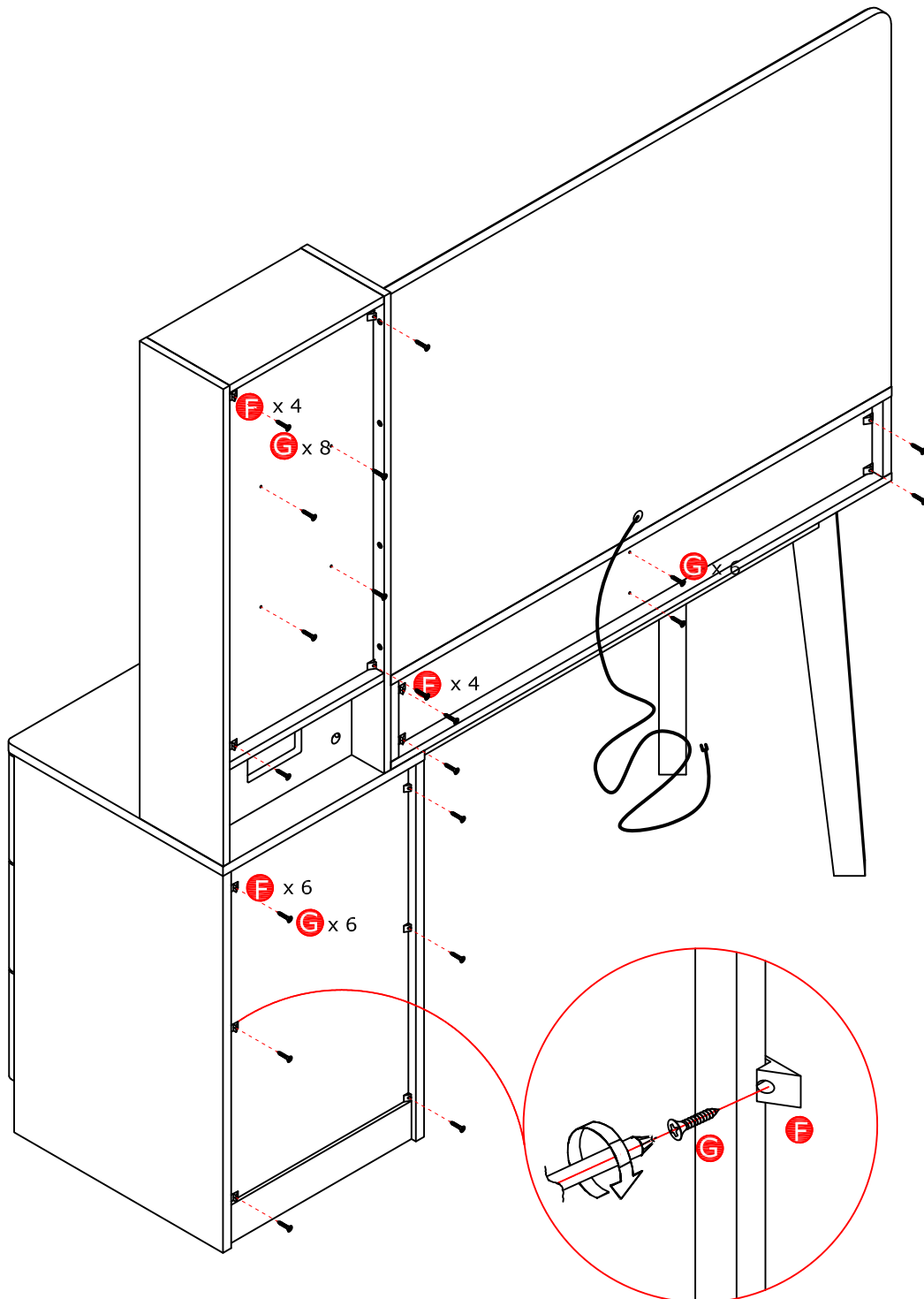
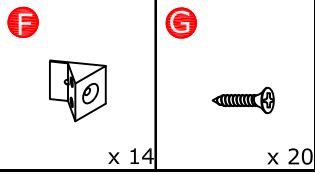
# x 3

Connect part 28 to part 29 & 30, then insert the snap lock (B) into the hole on plate 29 & 30 and tighten by turning clockwise as shown.



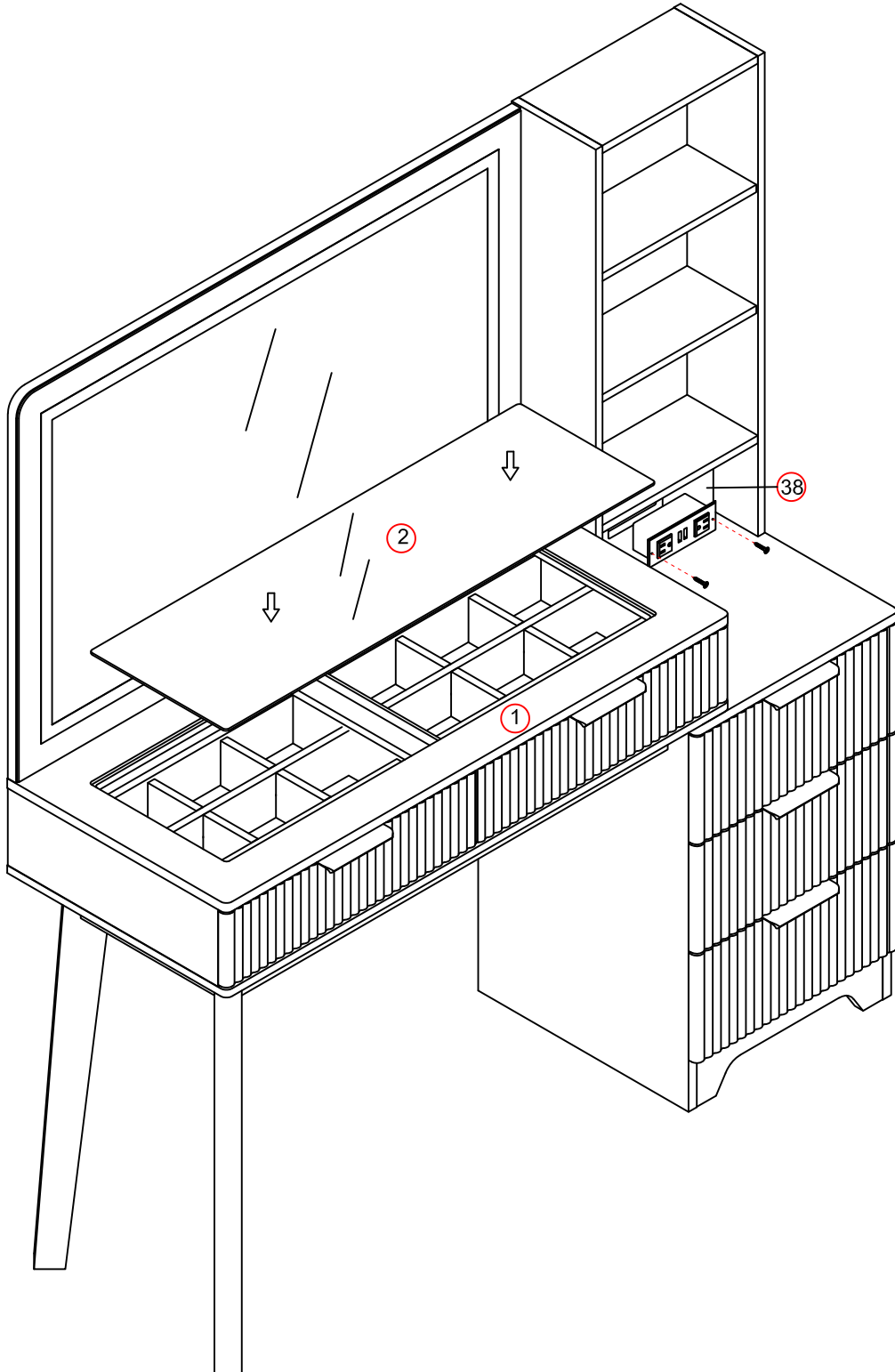
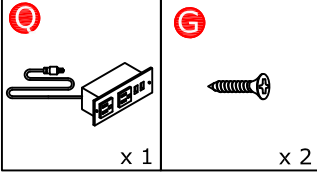
As shown in the picture, Align rails, slide drawers.

# 37

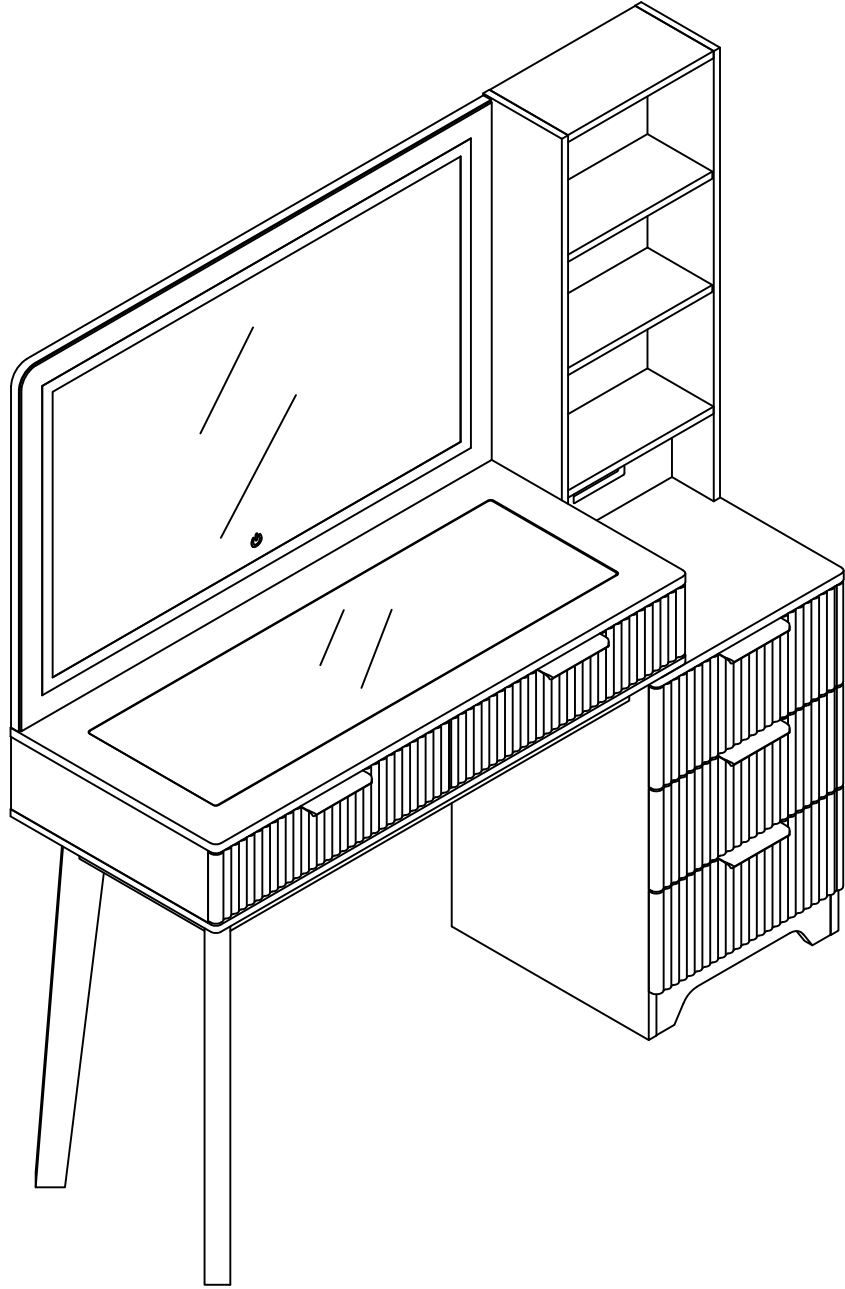


Insert buckle(F) into back slots,and fix with screw(G) as shown.

# 38



As shown in the picture, fix the power socket (Q) to part 38 with screws (G),



# WARRANTY

## WARRANTY CLAIMS

- There is a 30-day warranty for broken furniture or any other problems that cause improper function. The warranty starts from the date of purchase and requires proof of purchase.
- The product must be used in accordance with the provided instructions.
- For other reasons, if the furniture needs to be returned, it must be cleaned, dried, and operated within 30 days of receipt.

## Type of Warranty Claim

- Failure to follow the furniture instructions will invalidate the warranty. Please note, the warranty does not cover damage during installation, but does cover damage incurred during transportation.

## Scope of Responsibility

- We are not responsible for misuse, user damage, or loss of parts during the installation of the furniture. Additionally, any damage or scratches incurred after use are not covered by the warranty.

## WARRANTY CLAIMS

- The warranty for products purchased in the U.S. covers the following areas:
- Sheet parts: 1 month from the date of purchase.
- Electrical parts: 1 month from the date of purchase.

## AFTER-SALES CONTACT



Furniture-AfterSales@outlook.com

# RETURNS

**Changed your mind and need to return your item?**

**Please follow the instructions below:**

- If you have purchased the item and simply changed your mind, please follow the retailer's return instructions.

## DEFECTIVE ITEMS

- If your item is defective in any way, meaning it doesn't work but you cannot identify the cause, please first consult our FAQ section at [Furniture-AfterSales@outlook.com](mailto:Furniture-AfterSales@outlook.com), as there may be a simple solution to the issue.

## DAMAGED ITEMS

- If you receive an order with obvious shipping damage, we suggest refusing the delivery. If the delivery has already been accepted and you later find shipping damage, please follow the specific instructions provided by the retailer.
- In all cases, please keep all packaging materials and paperwork related to the order.
- Please be aware that if you dispose of packaging materials or attempt to return the item without contacting the retailer, you may risk losing your chance to file a claim, and you may not receive credit for the return.

## AFTER-SALES CONTACT



[Furniture-AfterSales@outlook.com](mailto:Furniture-AfterSales@outlook.com)