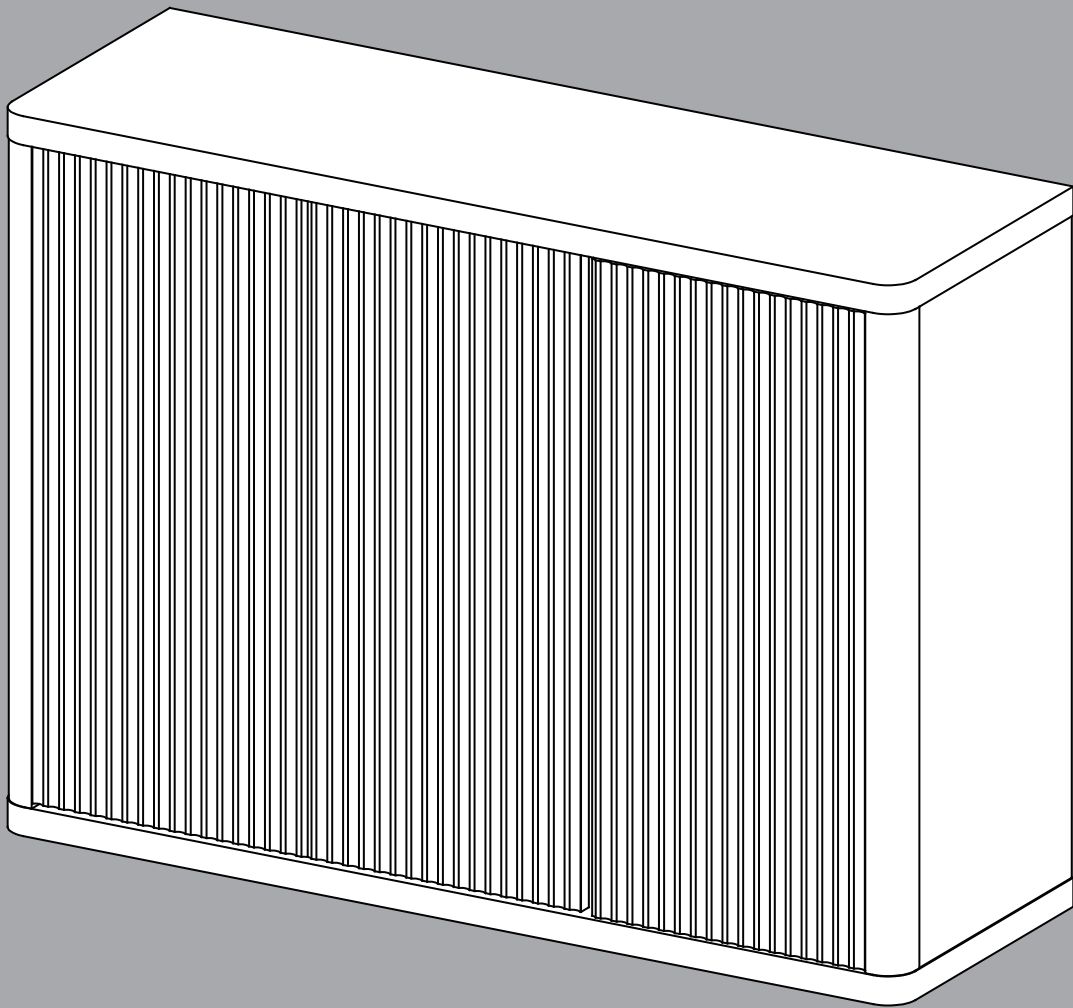


Installation & Assembly



Assembly Instructions

Before beginning the assembly process, please read and save these instructions for reference.

Following these guidelines will ensure a smooth and successful assembly of your product.

1. Part Identification:

Carefully separate and identify all the parts included in your package. Confirm that you have all the components listed in the instruction manual. This step will help you avoid any missing or misplaced parts during assembly.

2. Work Surface:

To prevent any scratches or damage to the product, assemble it on a soft mat or a similar protective surface. This will provide a cushioned area for the components and protect the surfaces from unwanted marks.

3. Step-by-Step Assembly:

Follow the assembly instructions provided, proceeding one step at a time. Take care to understand each step properly before proceeding to the next one. This sequential approach ensures that the assembly is done correctly and minimizes the chance of errors.

4. Proper Screw Seating:

When attaching screws and nuts, it is essential not to fully tighten them until all screws are correctly seated. By partially tightening each screw and nut initially, you can ensure that they are aligned properly and fit securely before final tightening.

5. Avoid Over-Tightening:

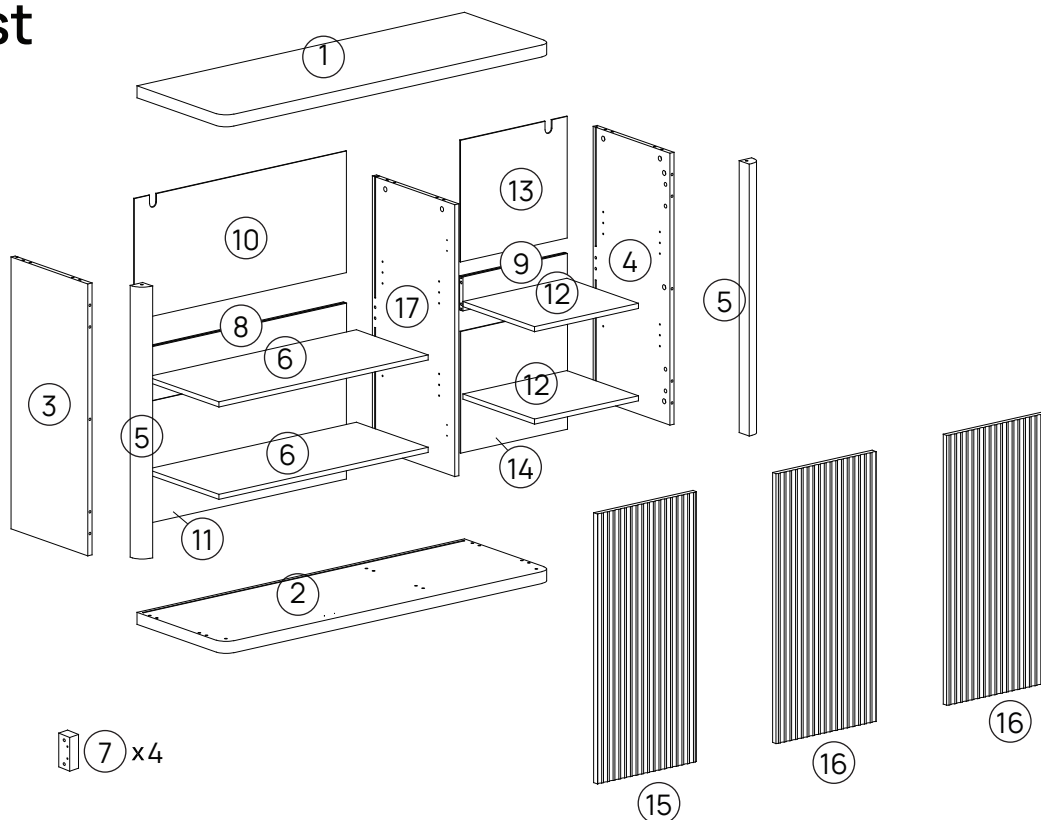
While each screw and nut should be tightened correctly, it is crucial not to over-tighten them. Over-tightening can cause damage to the product or compromise its structural integrity. Use the appropriate amount of force to secure the components without excessive tightening.

Customer help center:

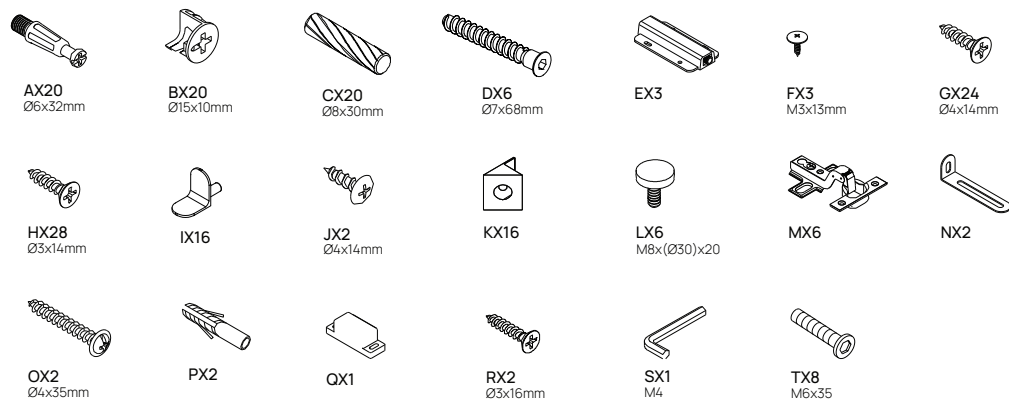
If you encounter any questions or problems during the assembly process, please do not hesitate to contact us.

We strive to provide excellent customer support and will respond to your inquiries within 24 hours. Our team will offer you a suitable solution to address any concerns you may have.

Parts List

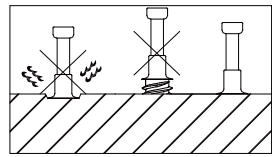
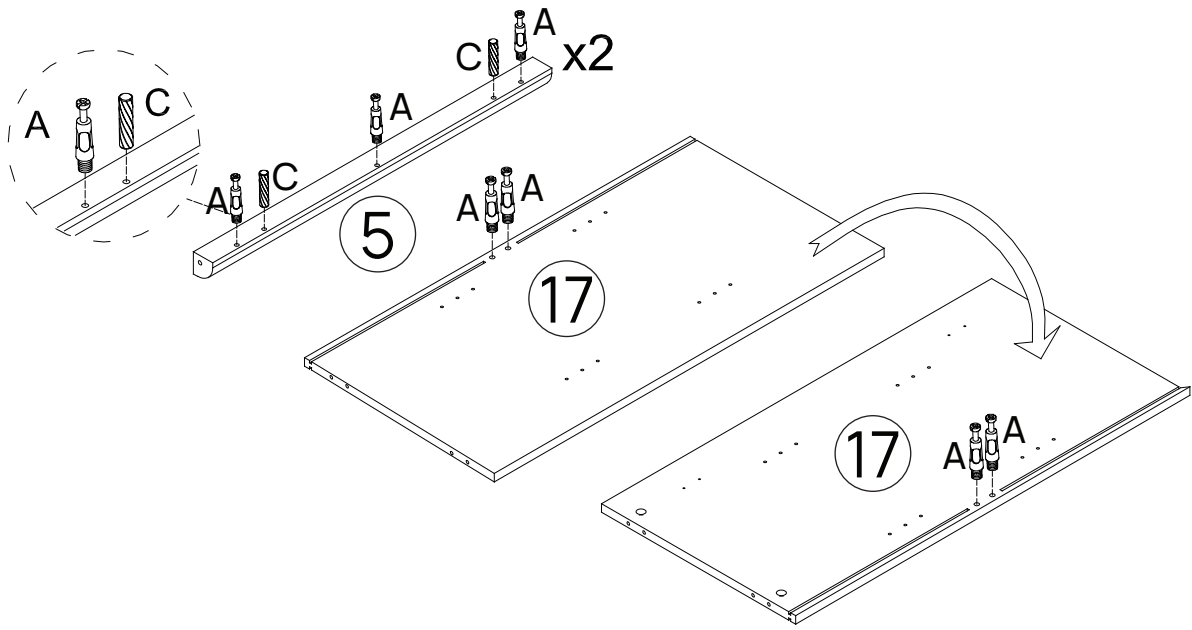


Hardware List



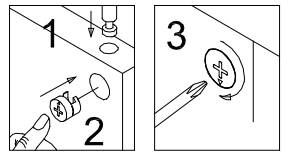
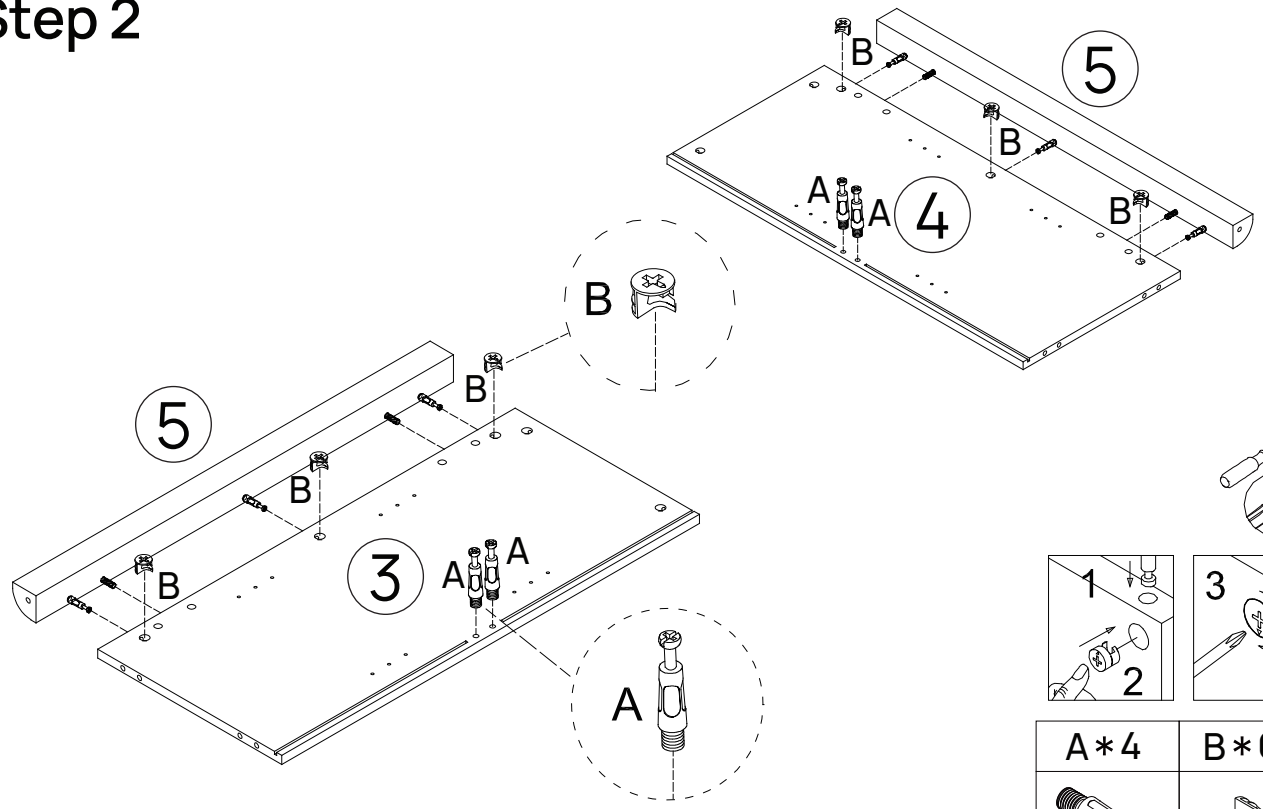
Code	Description	Quantity	Code	Description	Quantity
A	M6*32mm Cam bolt	20+2	L	M8x(Ø30)x20 Adjustable foot	6+1
B	Ø15x10mm Cam lock	20+2	M	Hinges	6
C	Ø8x30mm Wood dowel	20+2	N	Lock wall accessories	2
D	M7x68 Broken tail screw	6+1	O	Ø4x35 self-tapping screw	2
E	Press the pin	3	P	Plastic expansion screw	2
F	Self-tapping screw	3	Q	Door stop	1
G	Ø4x14 self-tapping screw	24+2	R	Ø3x16 self-tapping screw	2+2
H	Ø3x14 self-tapping screw	28+2	S	Hexagon socket wrench	1
I	Movable Shelf	16+2	T	M6x35 hexagonal screw	8+2
J	Ø4x14 self-tapping screw	2+1			
K	Backboard clip	16+2			

Step 1



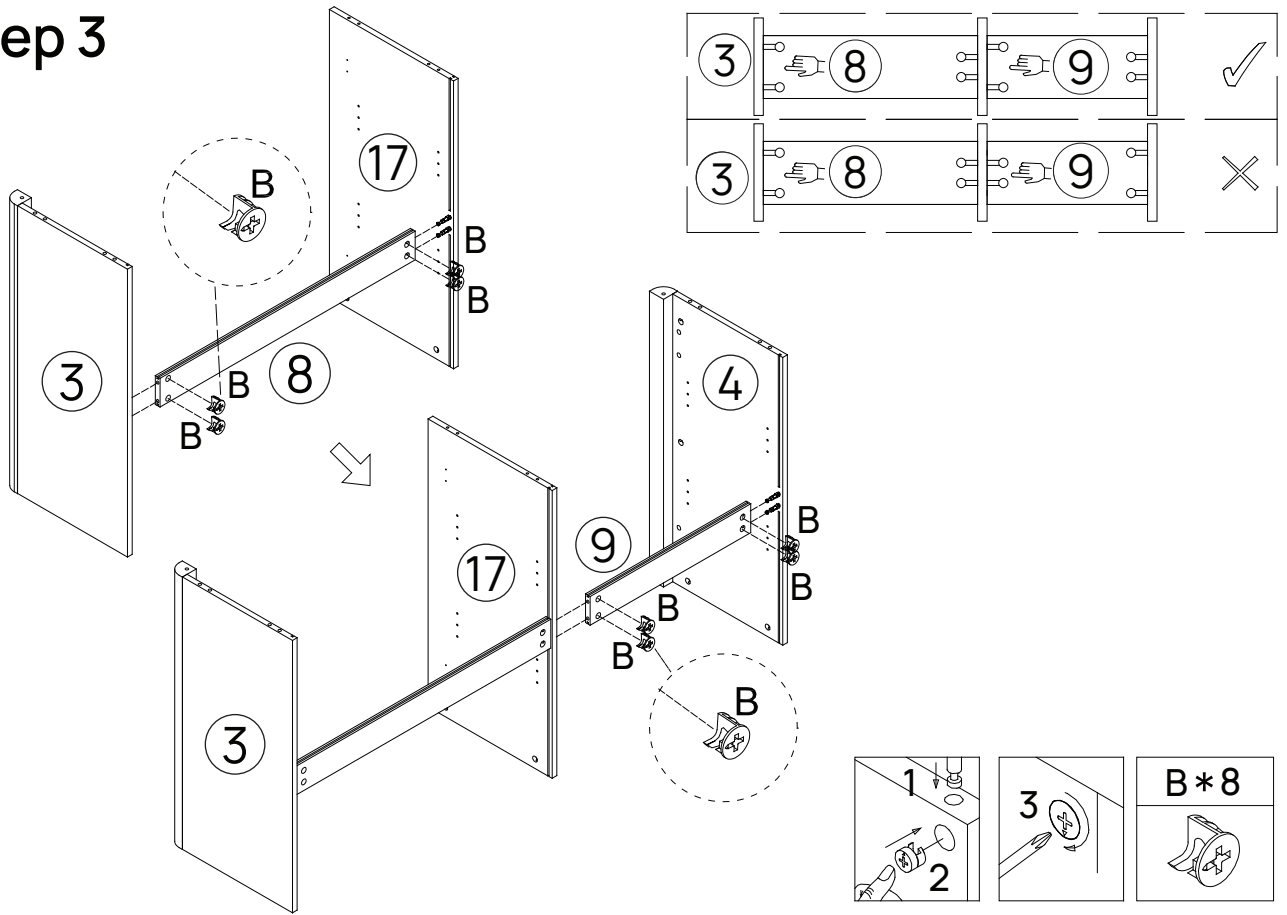
A*10	C*4

Step 2

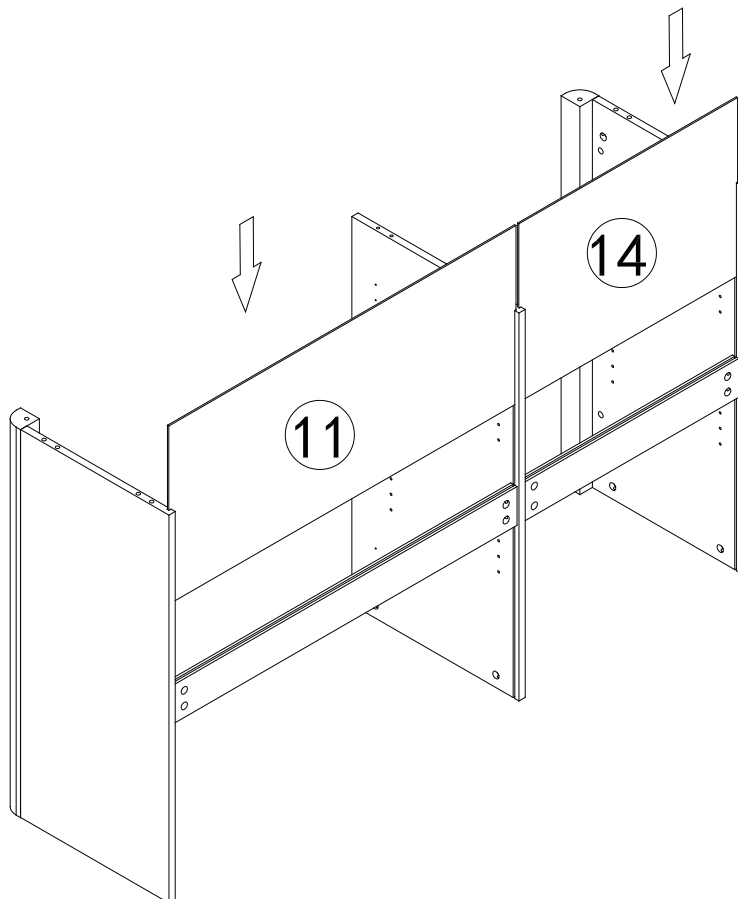


A*4	B*6

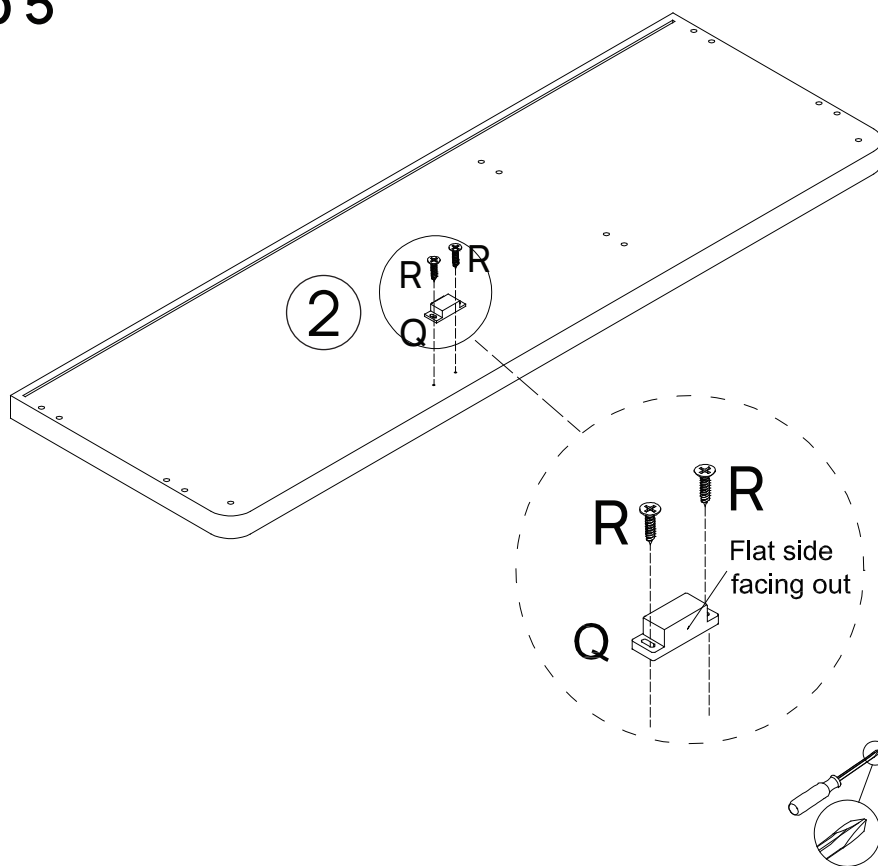
Step 3





Step 4

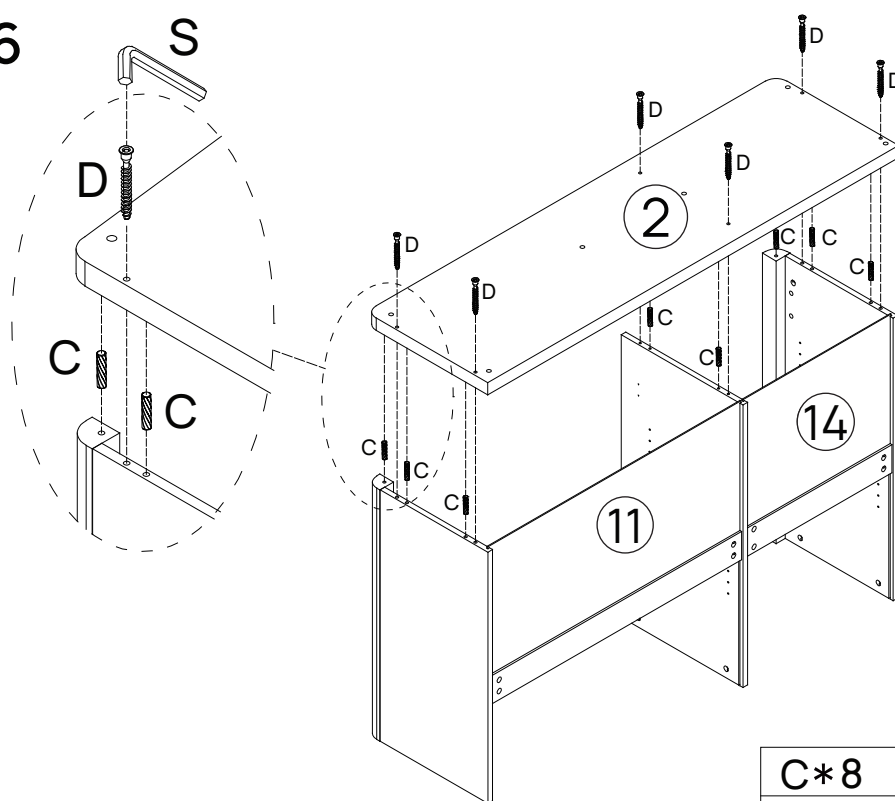


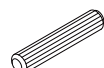
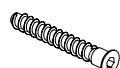

Step 5



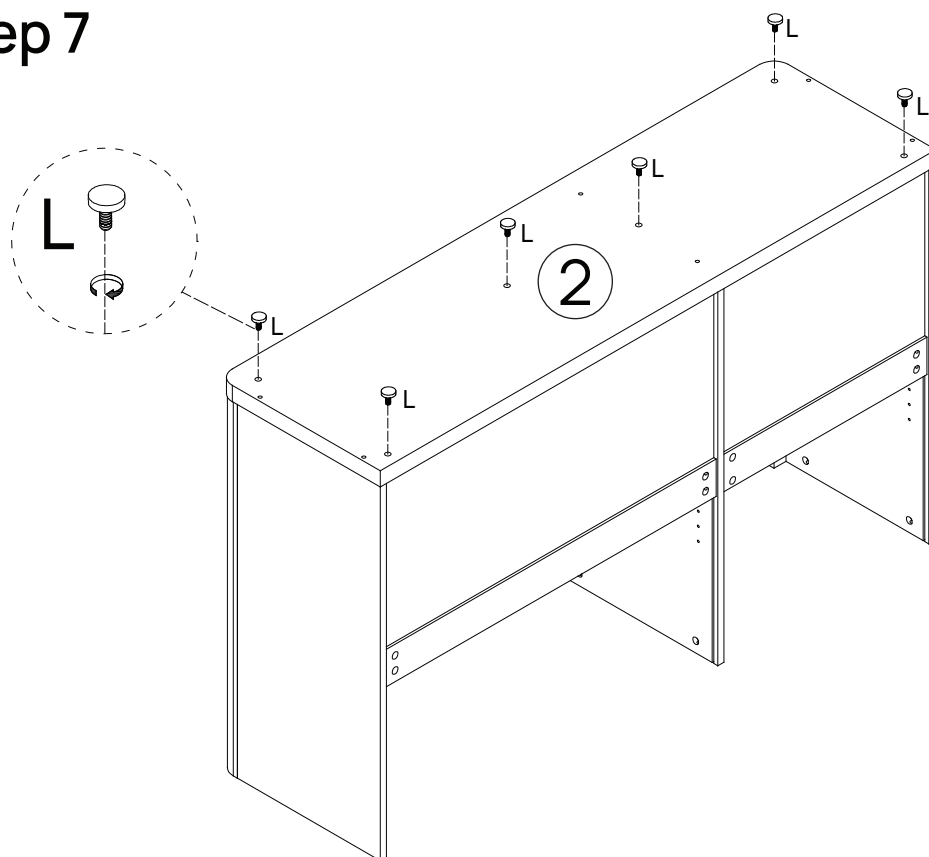
R*2	Q*1
	

Step 6

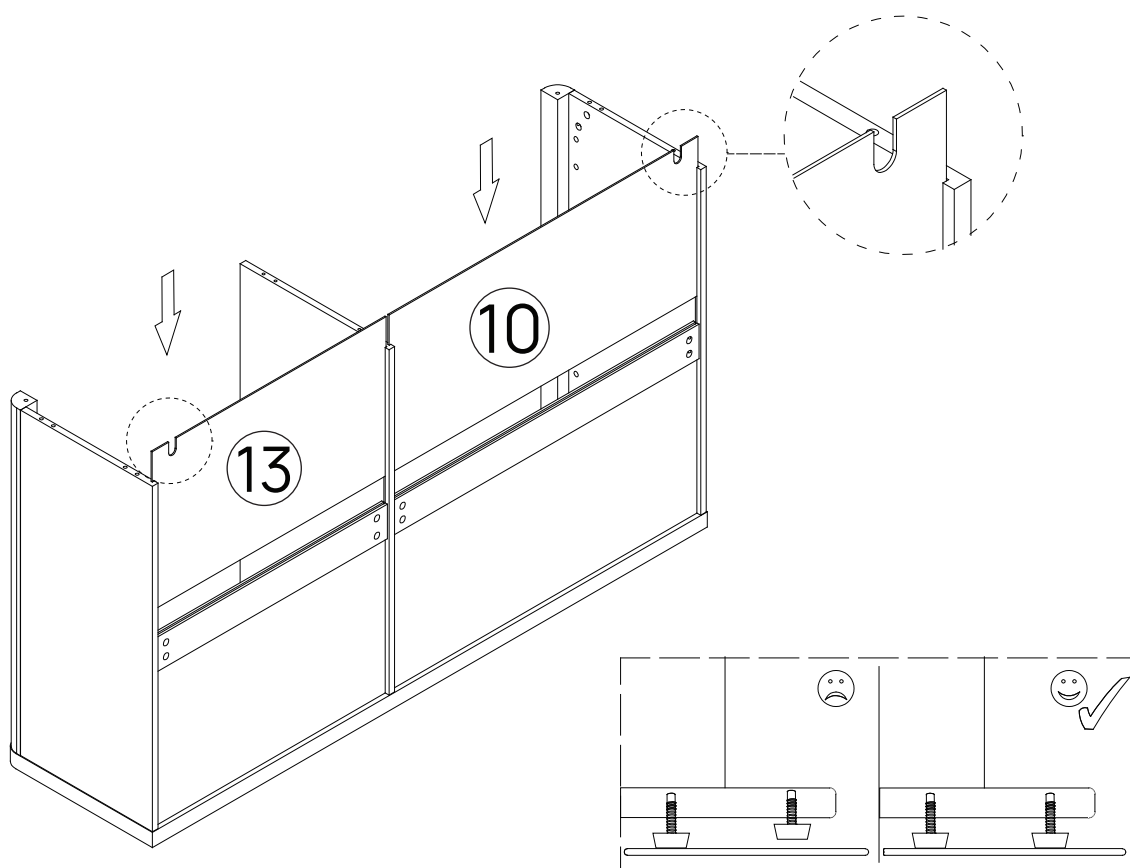


C*8	D*6	S*1
		

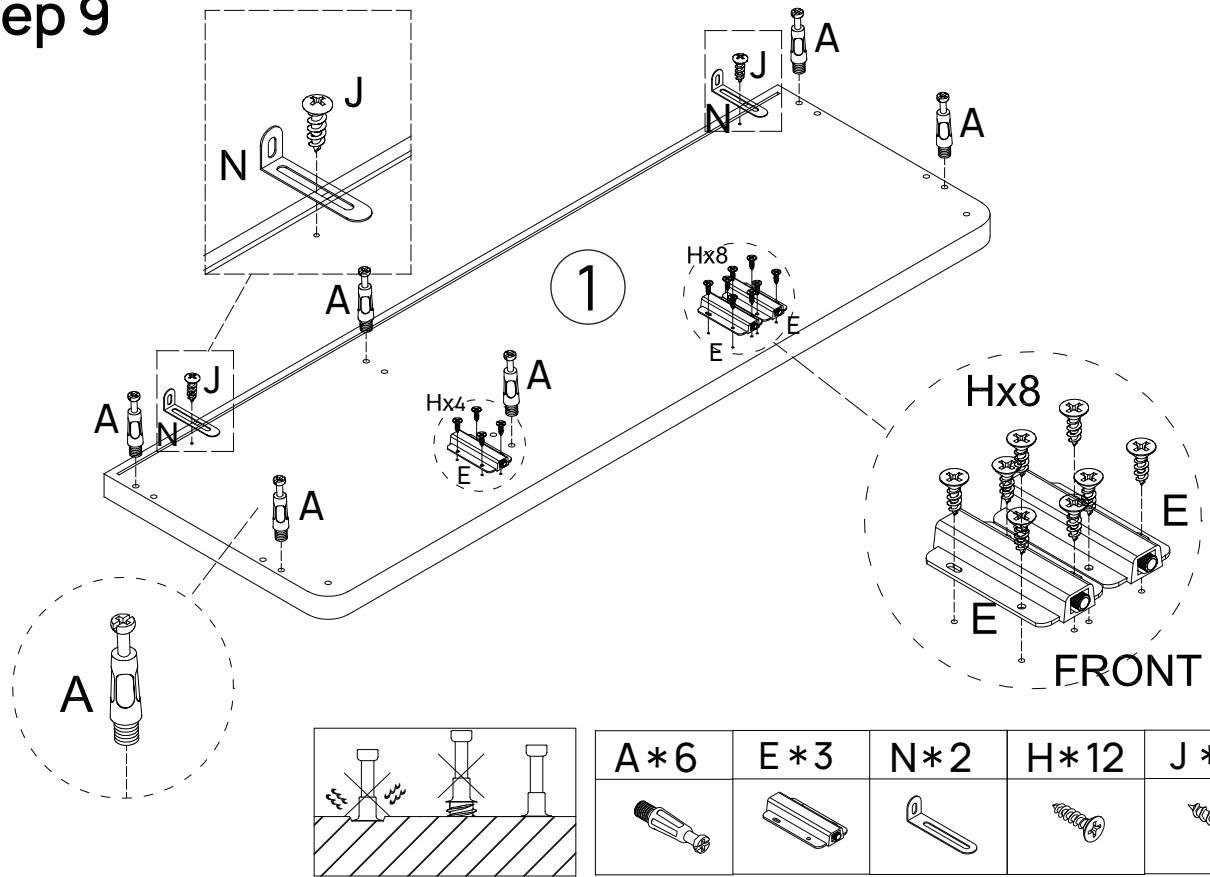
Step 7



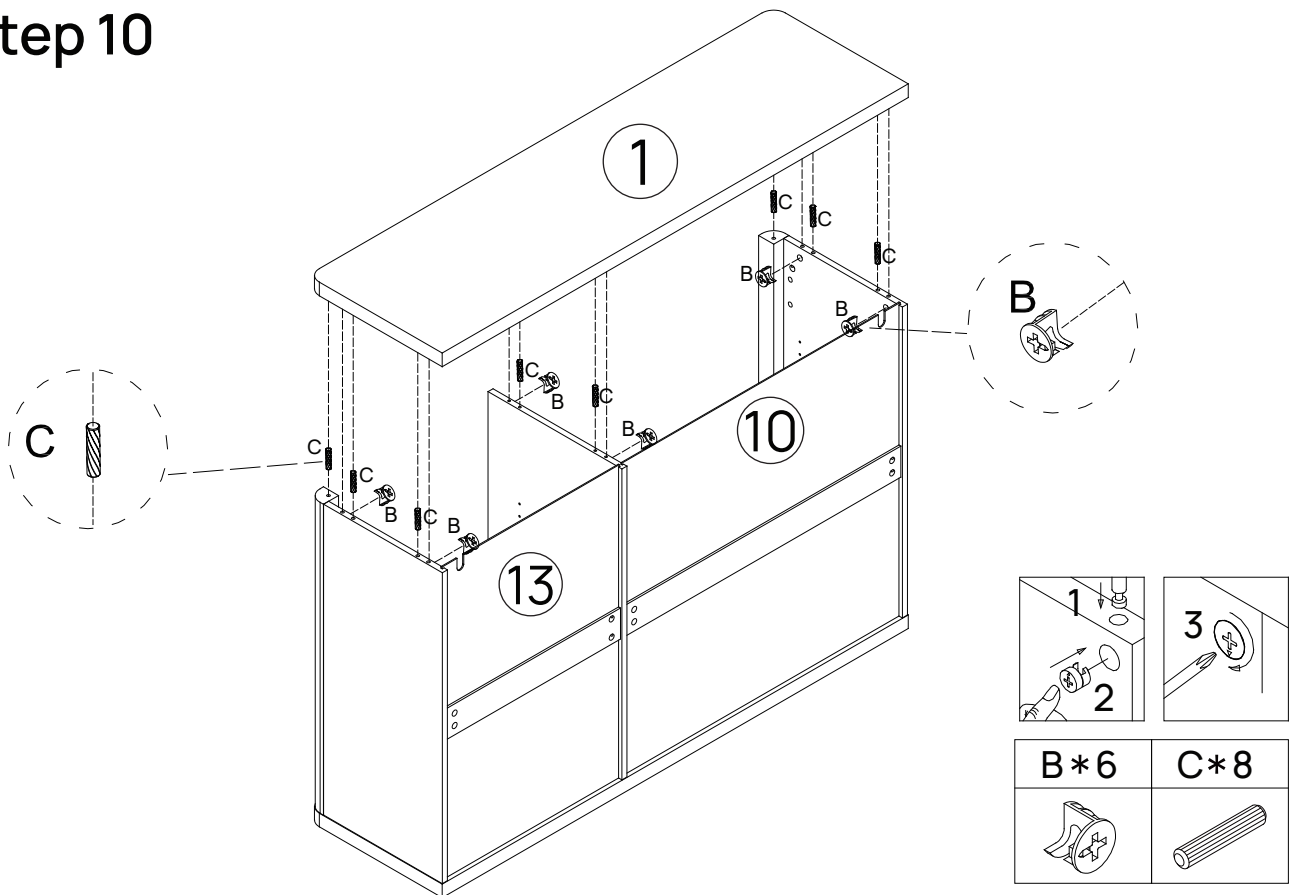
Step 8



Step 9



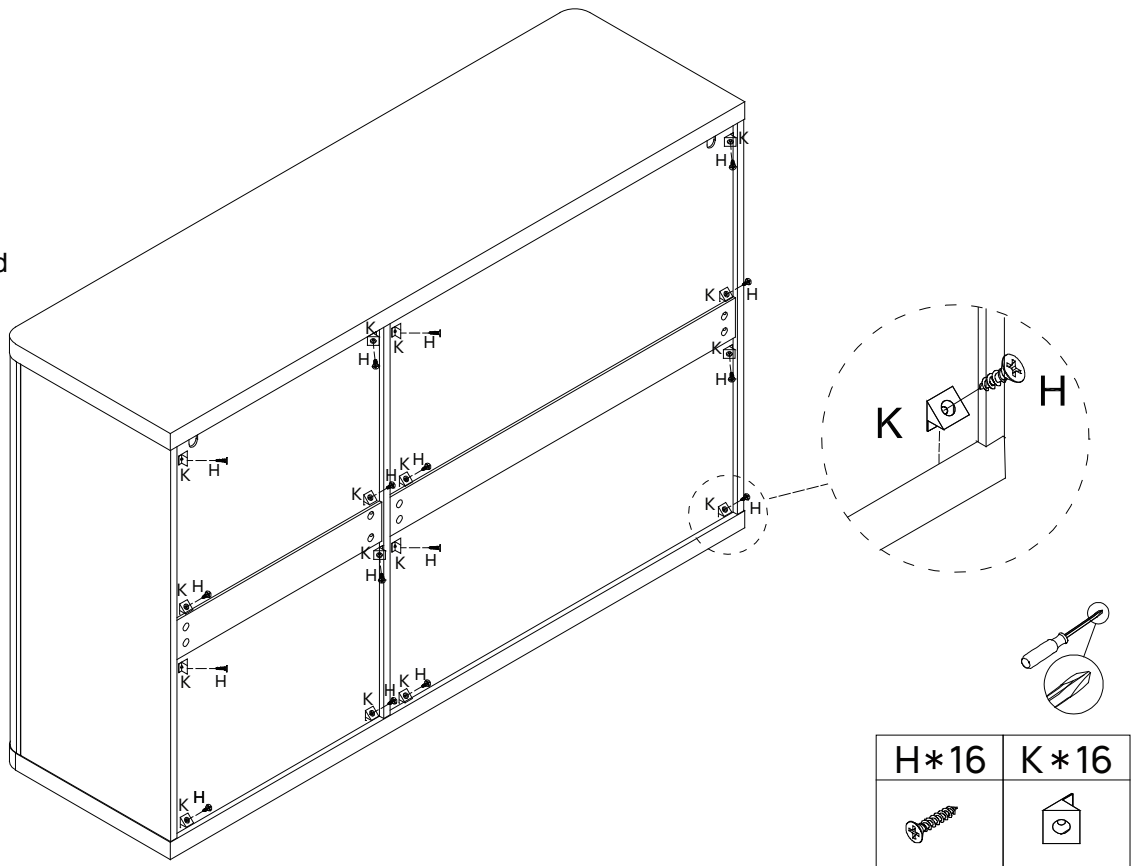
Step 10



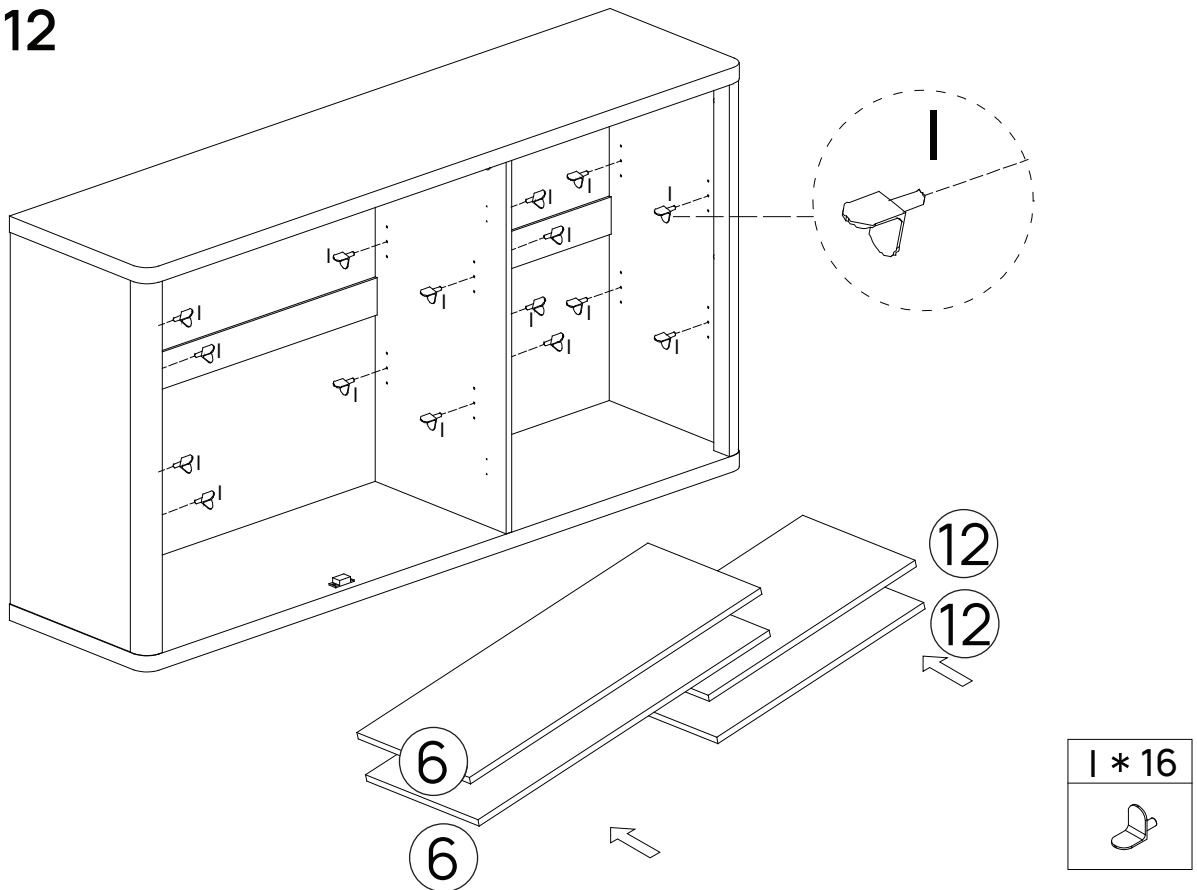
Step 11



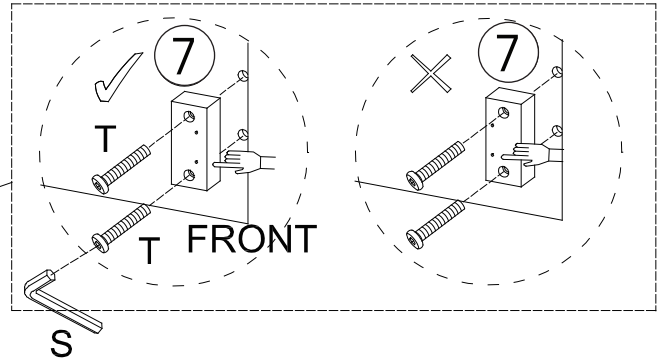
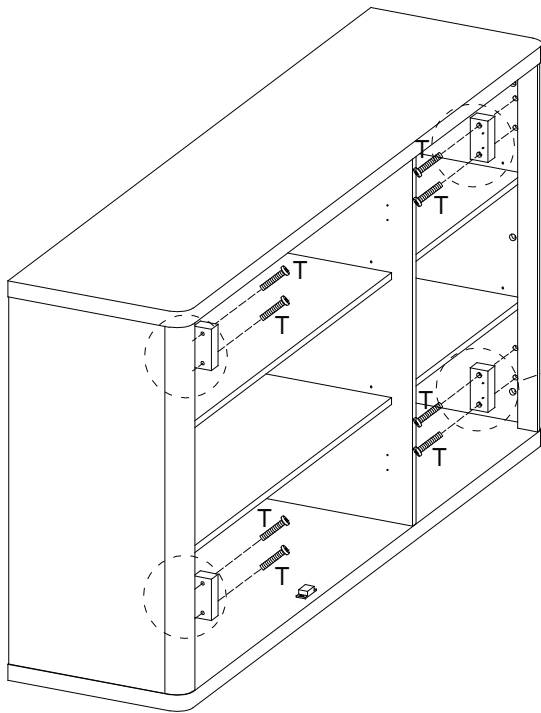
Must Be Installed

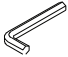



Step 12

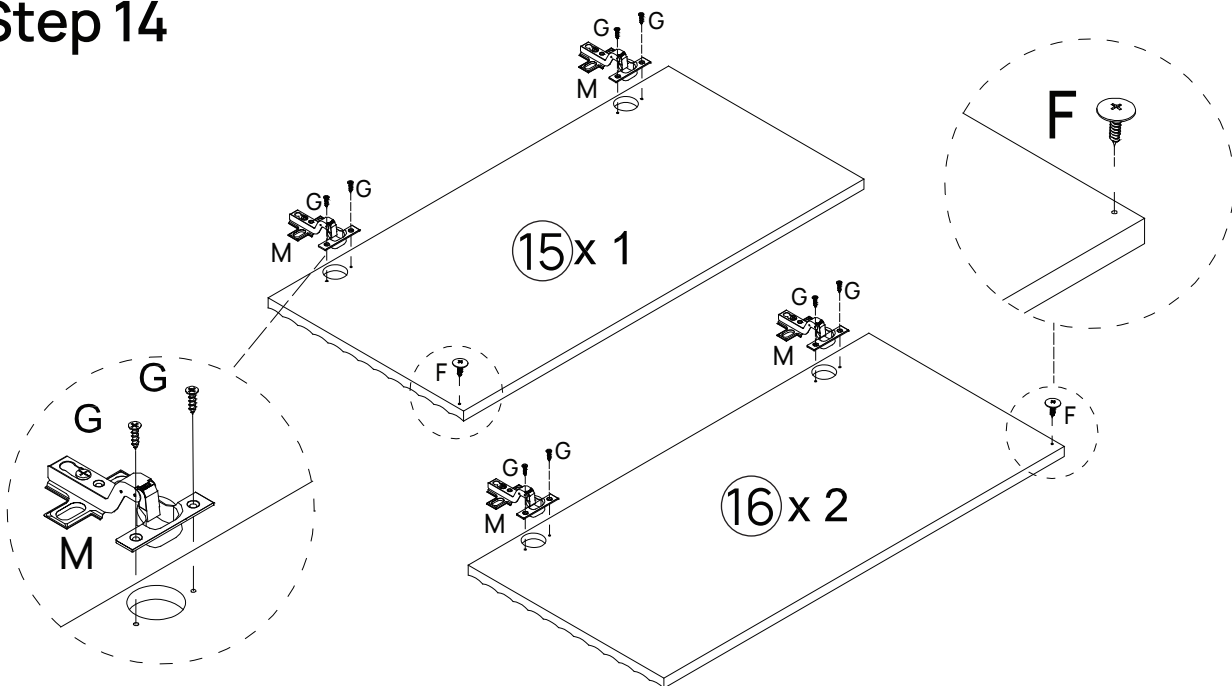





Step 13



S * 1	T * 8
	

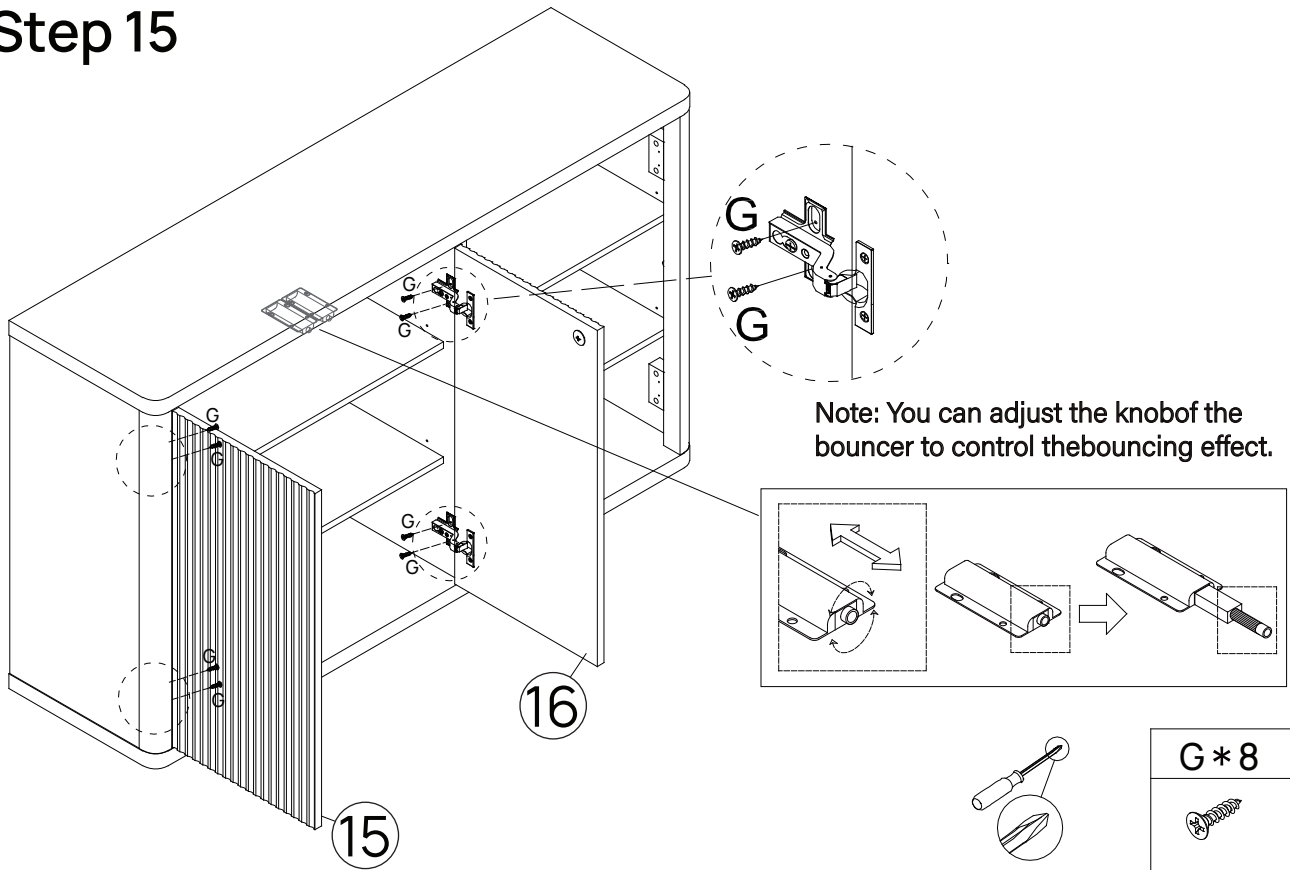
Step 14



F * 3	G * 12	M * 6
		

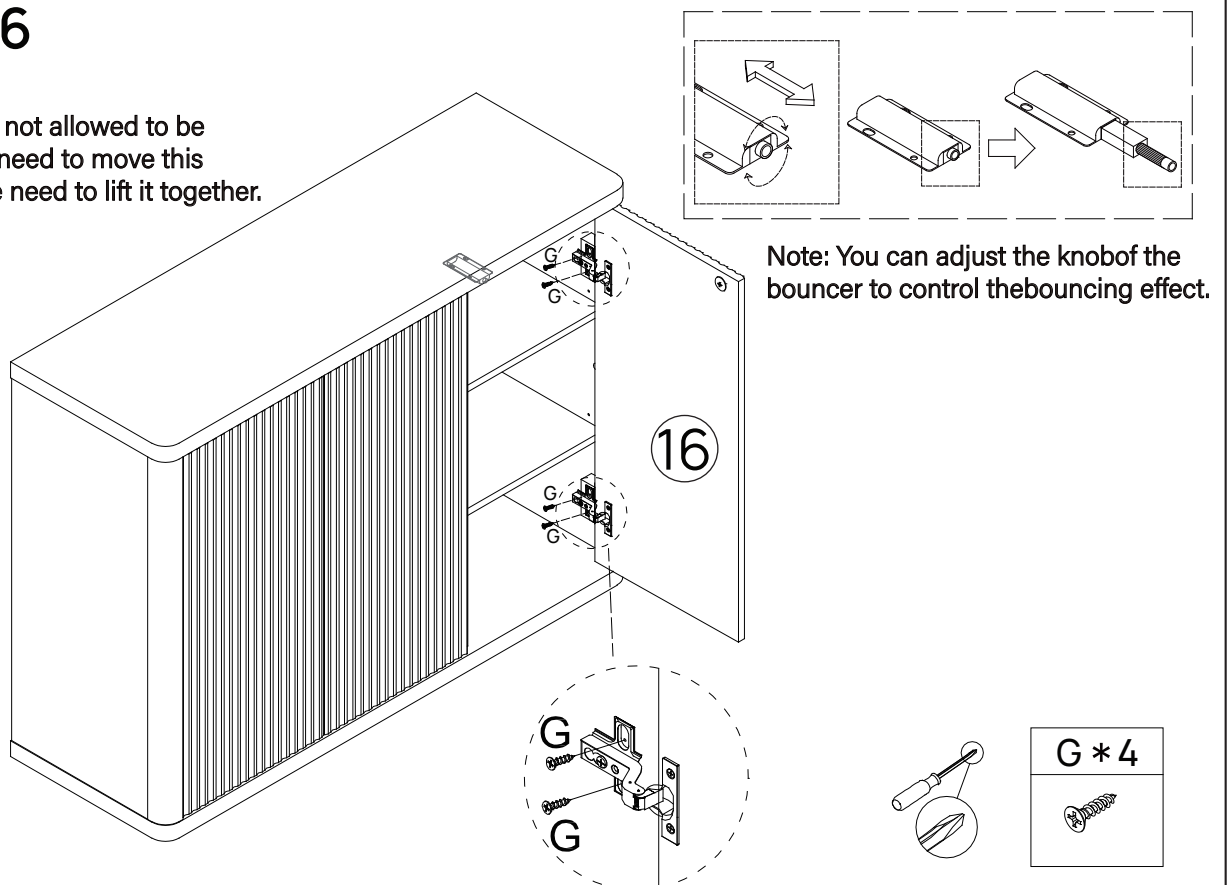


Step 15



Step 16

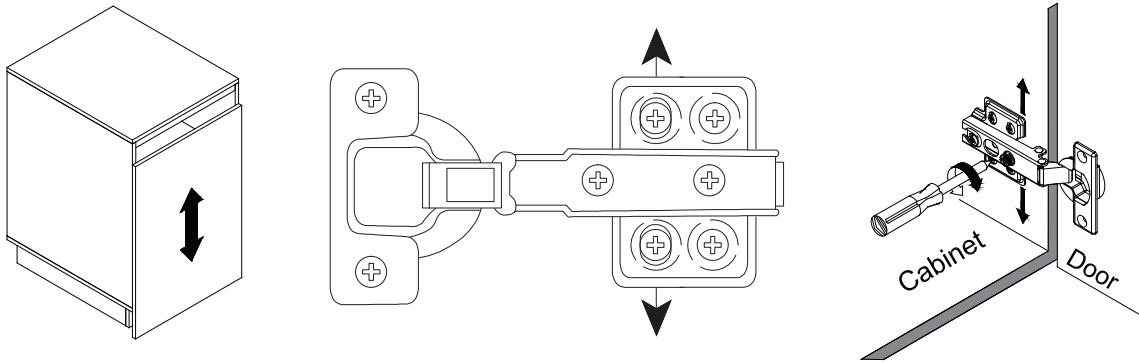
Tips: This item is not allowed to be dragged, if you need to move this item, two people need to lift it together.



Cabinet Door Adjustment Instructions

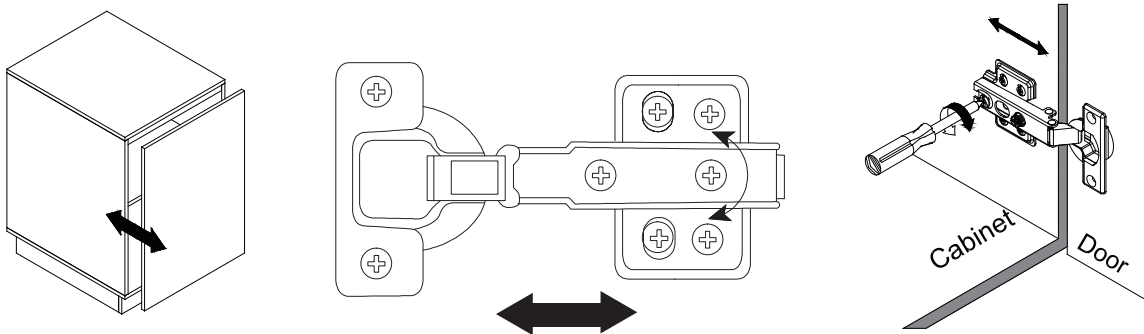
Height adjustment:

- Locate the height adjustment screws on the hinge.
- Use the Phillips screwdriver to either tighten or loosen the screws to raise or lower the cabinet door as desired.

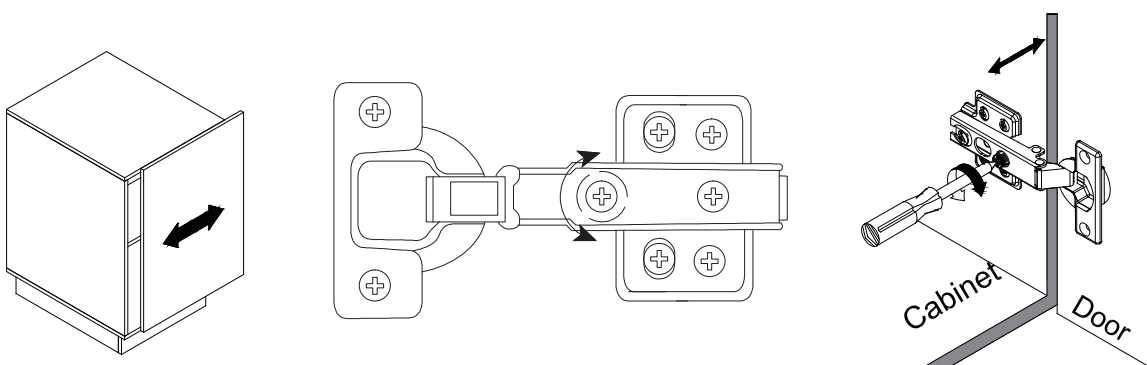


Side-to-side adjustment:

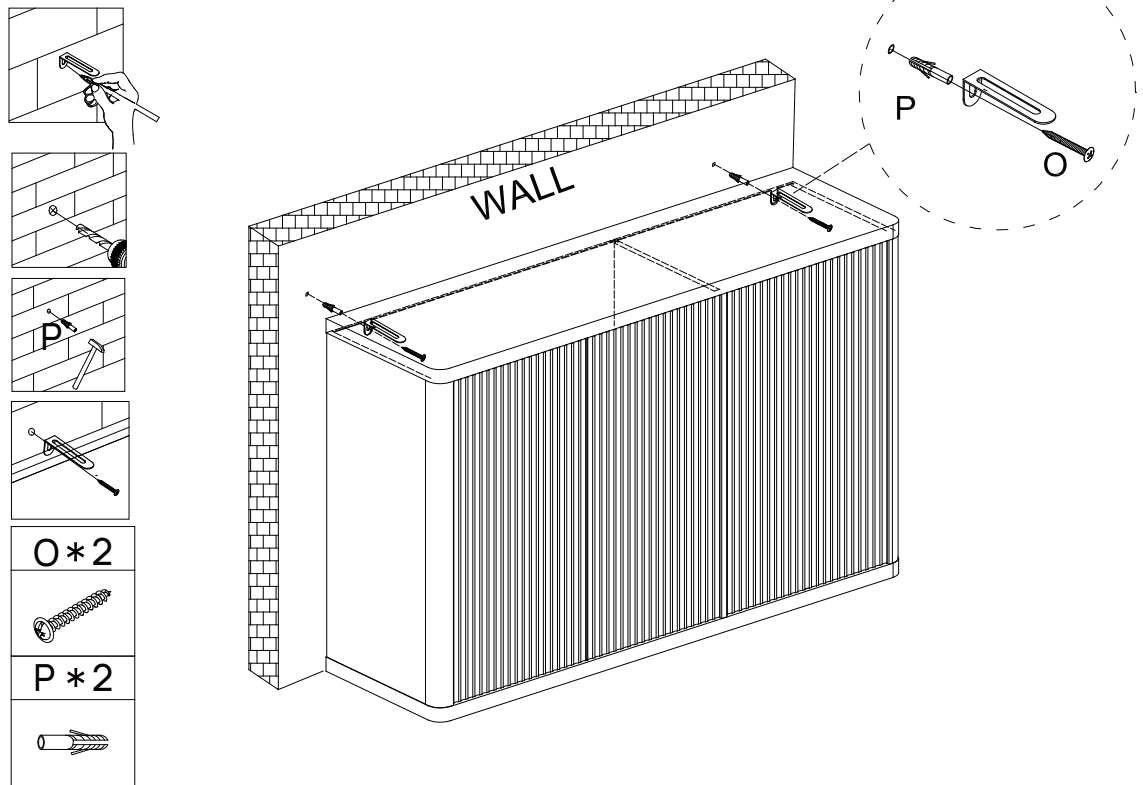
- If the cabinet door needs to be moved closer to or away from the cabinet frame, locate the side-to-side adjustment screws on the hinge.
- Use the Phillips screwdriver to adjust these screws and gradually move the door in the desired direction.



Depth adjustment (if applicable):



Step 17



Step 18

