



Introduction

Guide of Manual

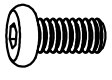


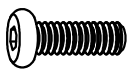


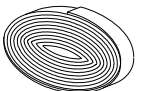

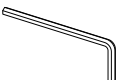
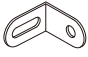




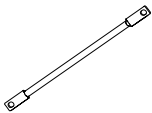
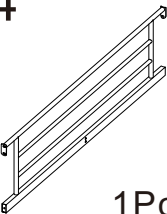
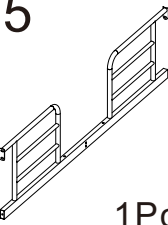


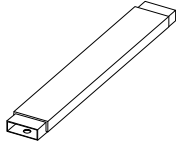
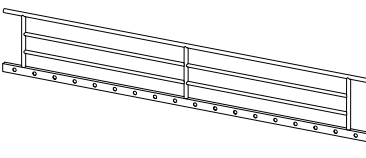
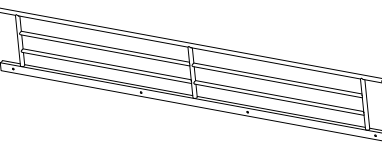
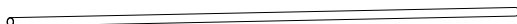




- Please read the following instruction carefully and use the product properly.
- Please keep this manual and hand it over when you transfer the product.
- Please contact us when further information and help needed.

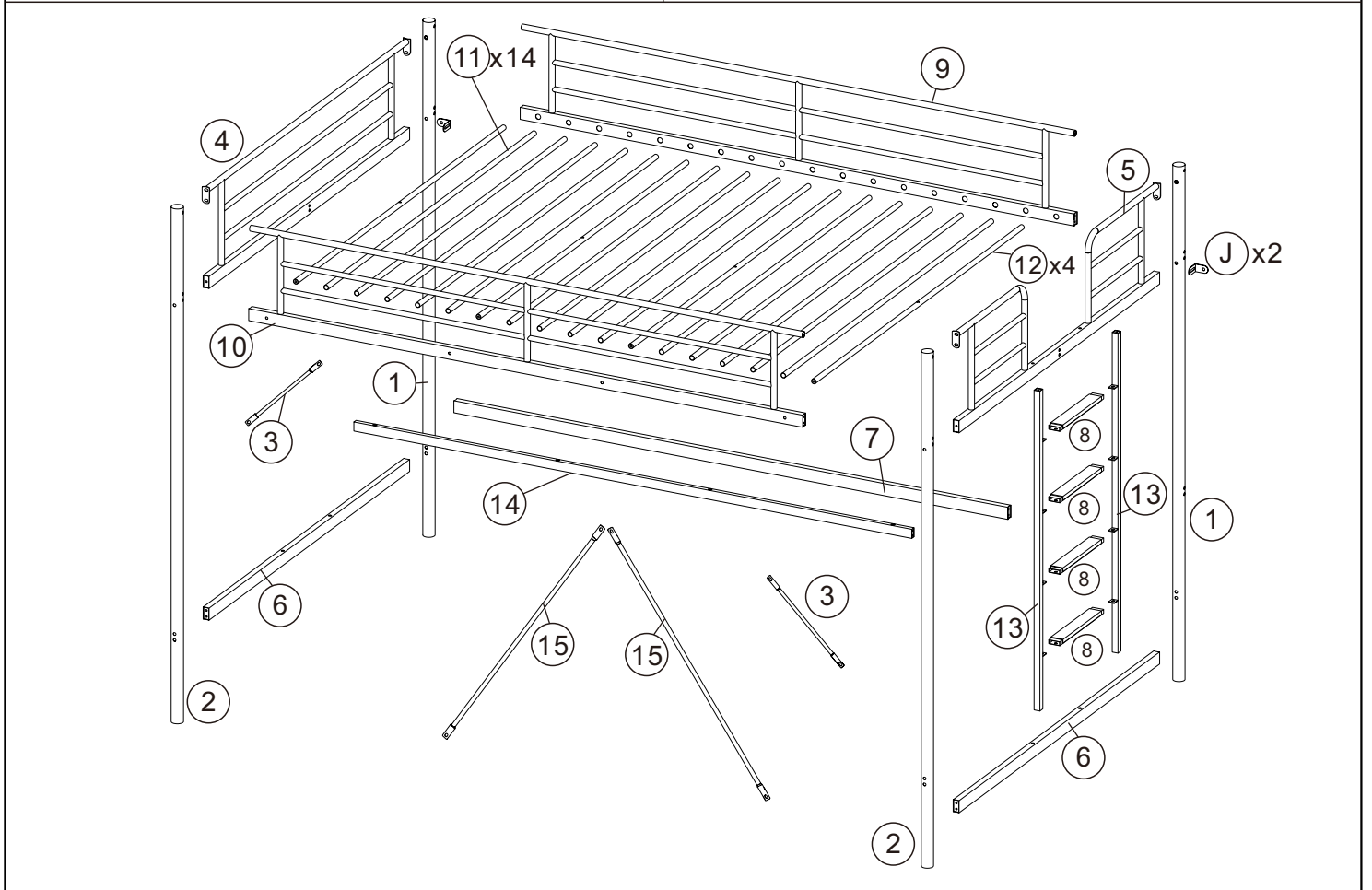
Notes

- Make sure to start on the correct instruction page for the bed configuration you are assembling.
- Unpack parts and hardware carefully to prevent scratching of lacquered components.
- Please assemble the product according to the steps on the diagram strictly.
- Do not fully tighten the screws until all pieces are situated in place.
- For continued use, it's suggested you regularly check the tightness of bolts and connections to ensure safety.
- Do not assemble and disassemble the product repeatedly to avoid damaged.
- To avoid confusion keep all parts and hardware together with the boxes that they came in; some bed configurations require multiple boxes.

SAFETY WARNING:

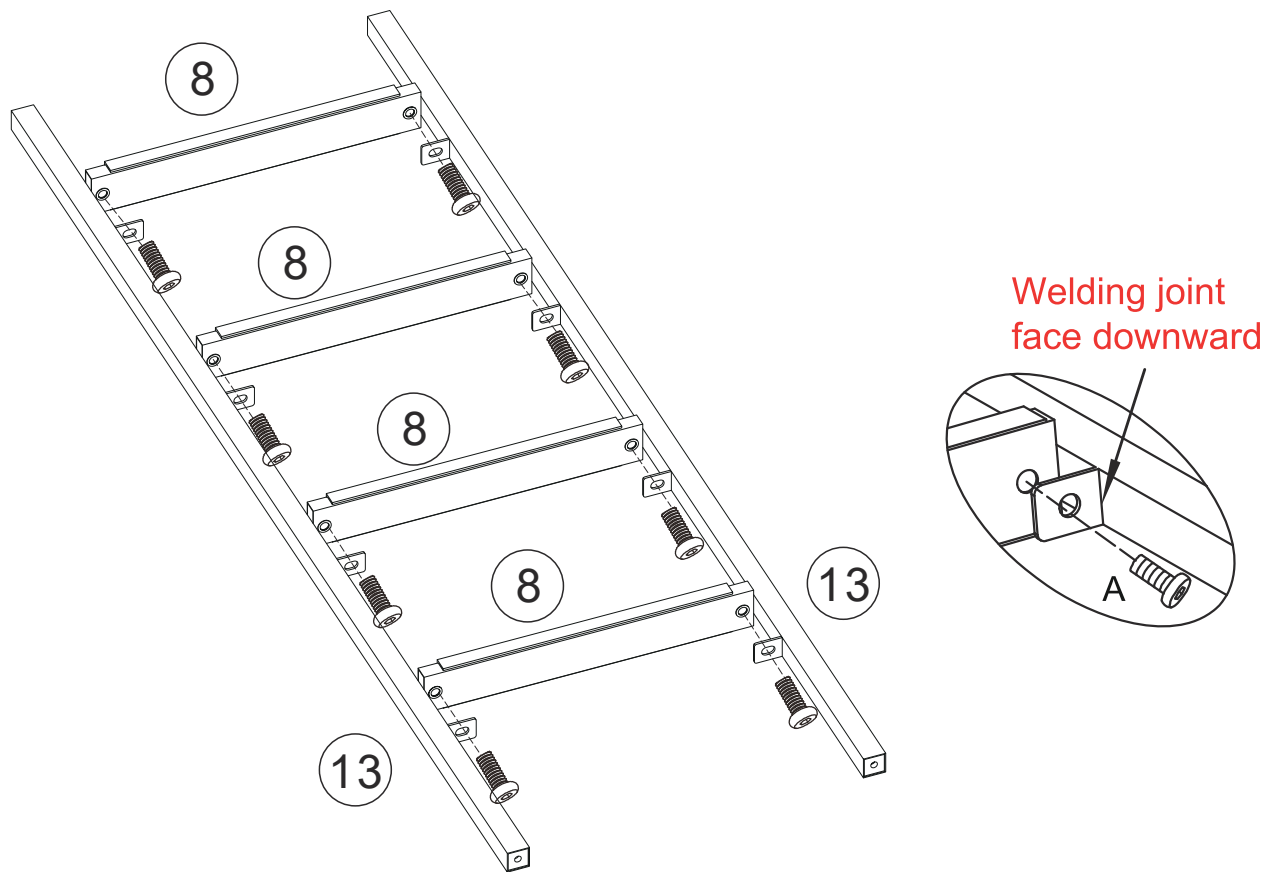
1. Follow the information on the warnings appearing on the upper bunk end structure and on the carton. Do not remove warning label from bed.
2. Always use the recommended size mattress or mat tress support, or both, to help prevent the likelihood of entrapment or falls.
3. Surface of mattress must be at least 5 in. (127 mm) below the upper edge of guardrails.
4. Do not allow children under 6 years of age to use the upper bunk.
5. Periodically check and ensure that the guardrail, ladder, and other components are in their proper position, free from damage, and that all connectors are tight.
6. Do not allow horseplay on or under the bed and prohibit jumping on the bed.
7. Always use the ladder for entering and leaving the upper bunk.
8. Do not use substitute parts. Contact the manufacturer or dealer for replacement parts.
9. Use of a night light may provide added safety precaution for a child using the upper bunk.
10. Always use guardrails on both long sides of the upper bunk. If the bunk bed will be placed next to the wall, the guardrail that runs the full length of the bed should be placed against the wall to prevent entrapment between the bed and wall.
11. The use of water or sleep flotation mattresses is prohibited.
12. Keep these instructions for future reference.

A  28Pcs M6x12	B  32Pcs M6x60	C  4Pcs M6x40	D  4Pcs M6x25	E  28Pcs Ø13xØ8x1	F  2Pcs M9	G  2Pcs 550x14x2
H  1Pc 400x14x2	I  D4	J  2Pcs	K  2Pcs Ø6x35	L  2Pcs M4x35	1  2Pcs 2  2Pcs	
3  2Pcs	4  1Pc	5  1Pc	6  2Pcs 7  1Pc	8  4Pcs		
9  1Pc	10  1Pc	11  14Pcs 12  4Pcs 13  2Pcs				
14  1Pc	15  2Pcs					





Assembly Steps

STEP 1 Assemble Ladder

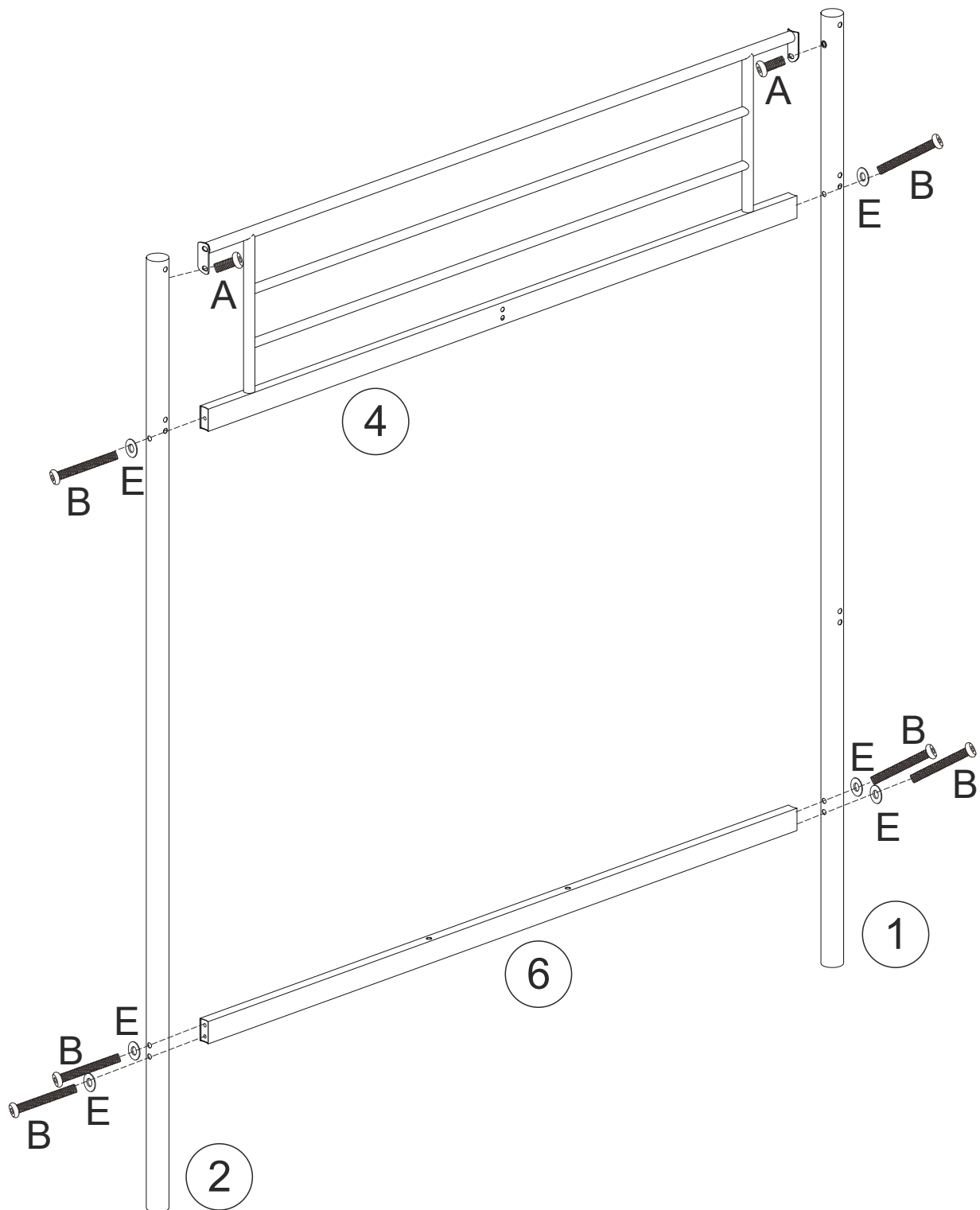


Secure Step #8 to the Ladder Rail #13 via Screw A from the bottom of Holder Plate





CODE	HARDWARE	QTY
A	 M6x12mm	8
I		1

Assembly Steps

STEP 2 Assemble Side Rails

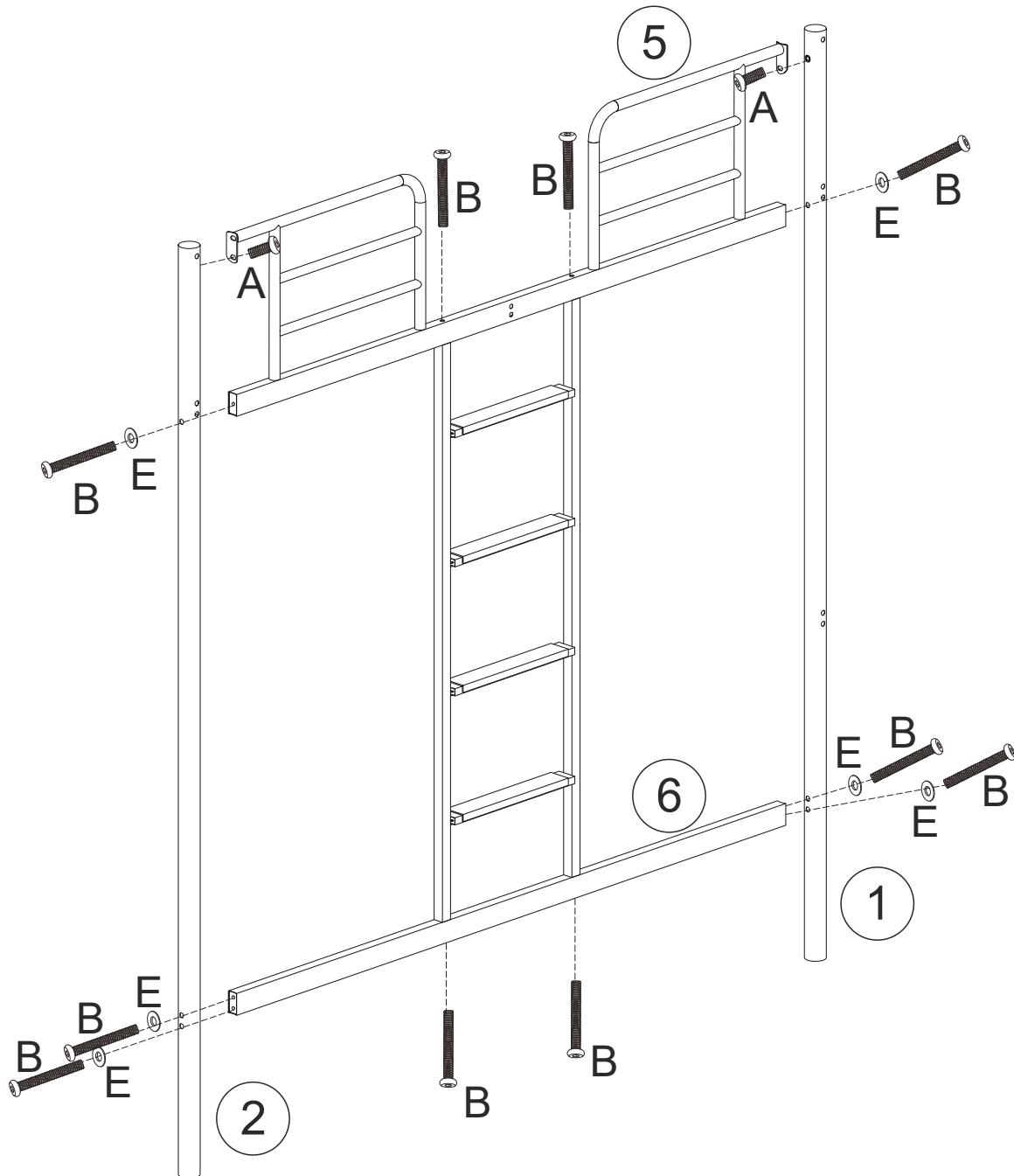


Connecting Side Rail #4 and Side Bar #6 to the Leg #1 and #2 via Screw A, B and Washer E

CODE	HARDWARE	QTY
A	 M6x12mm	2
B	 M6x60mm	6
E	 Ø13xØ8x1	6
I		1



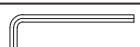
Assembly Steps

STEP 3 Assemble Side Rails and Ladder



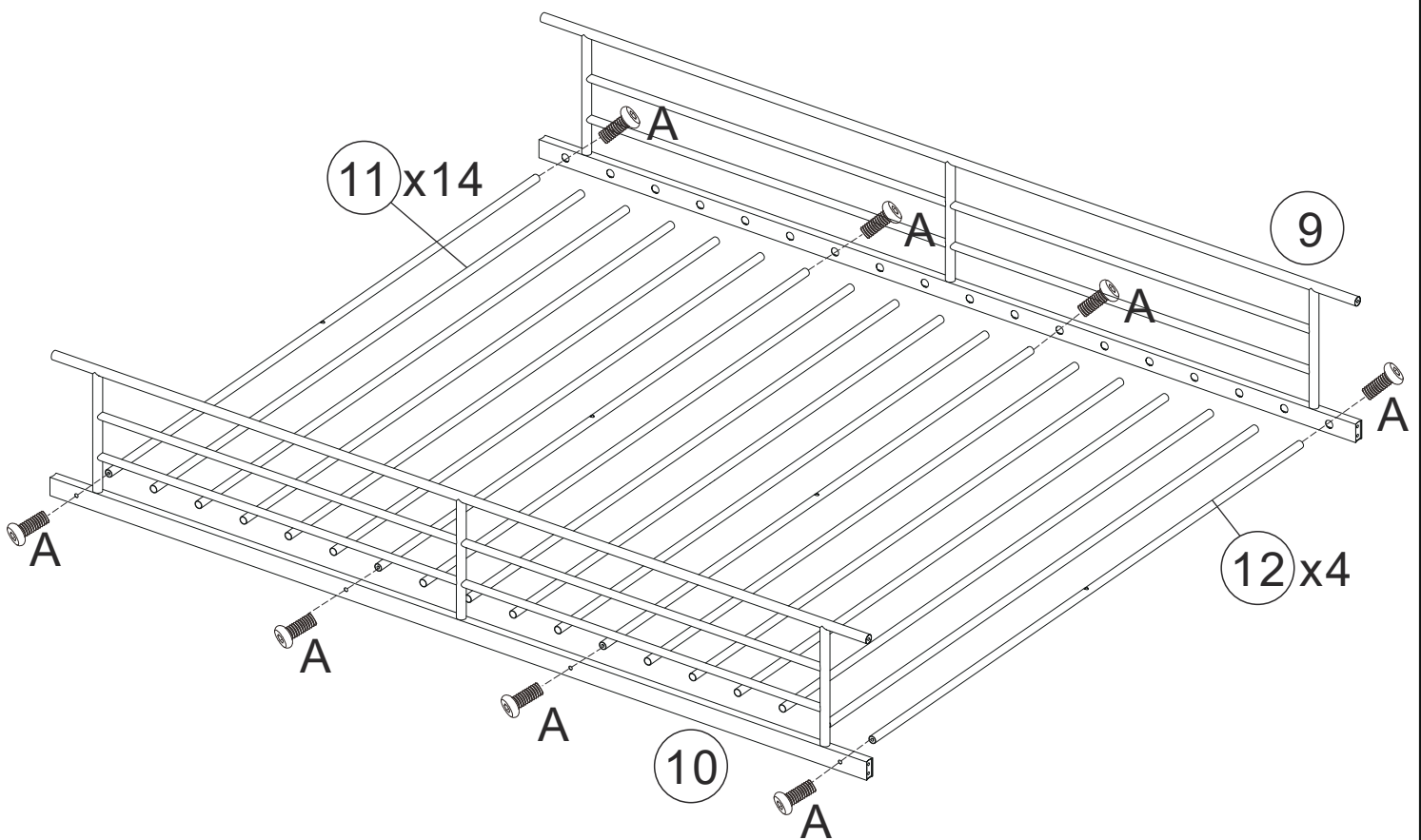
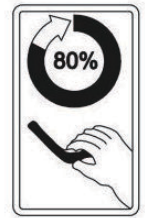
① Connecting Side Rail #5 and Side Bar #6 to the Leg #1 and #2 via Screw A, B and Washer E

② Put on the Assembled Ladder and fix by Screw B

CODE	HARDWARE	QTY
A	 M6x12mm	2
B	 M6x60mm	10
E	 Ø13xØ8x1	6
I		1


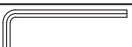
Assembly Steps

STEP 4 Assemble Bed Slat



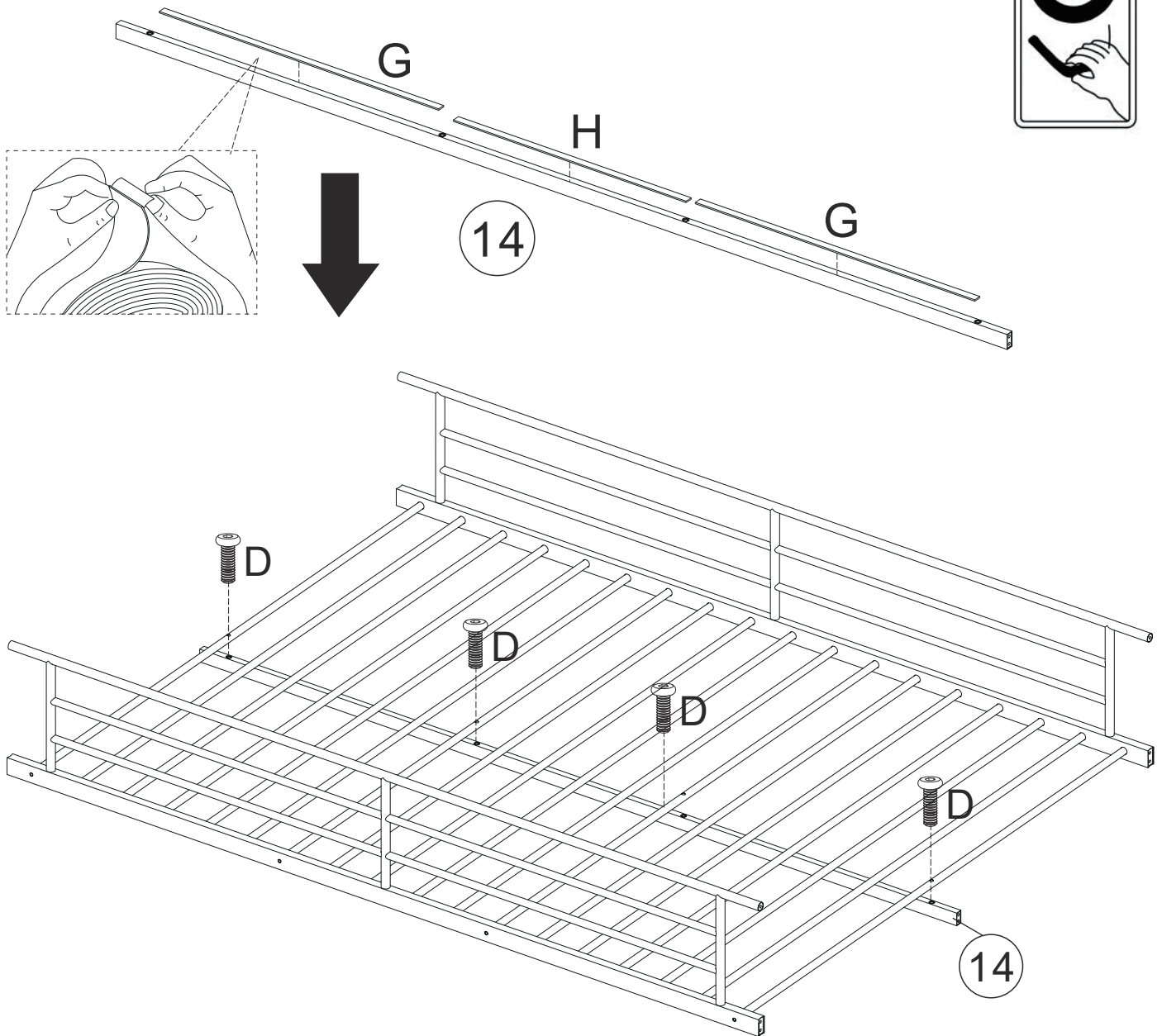
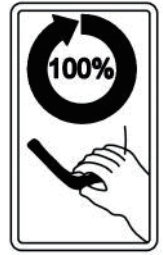
Put Slat #12 and 11 insert each hole of Guardrail #9 and 10, and then tight the #12 via Screw A

Notice: Do not fully tight the Screw A in this step

CODE	HARDWARE	QTY
A	 M6x12mm	8
I		1

Assembly Steps

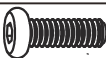
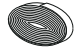


STEP 5 Assemble Center Beam



① Tear off the protect layer of Non-woven strip #G and H, and then stick them on the narrow side of Center Beam #14

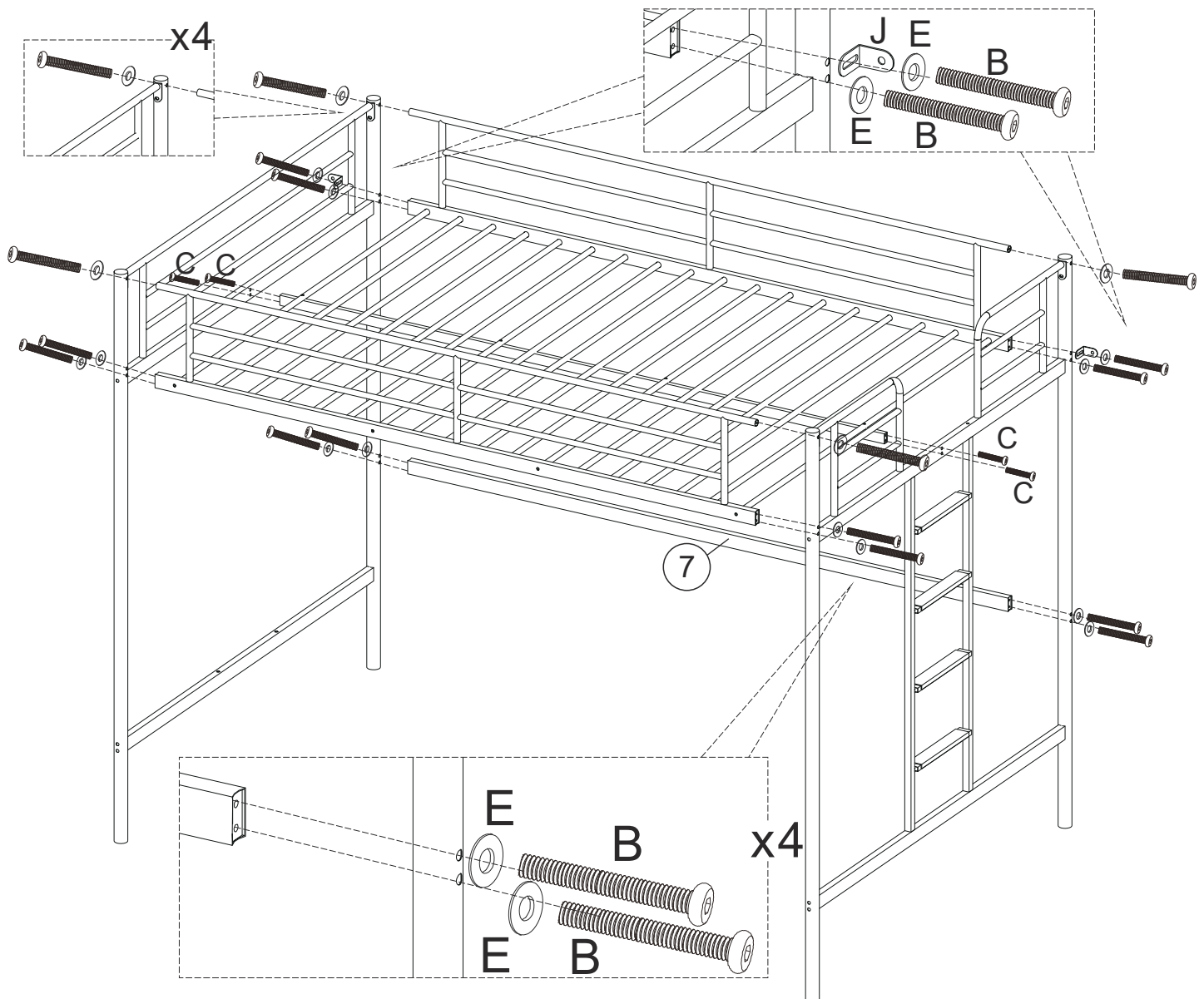
② Fix the Center Beam #14 with bed slat via Screw D

Tips: You can full tight Screw A now

CODE	HARDWARE	QTY
D	 M6x25mm	4
G	 550x14x2	2
H	 400x14x2	1
I		1

Assembly Steps





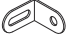
STEP 6 Install Bed Frame



Tips: Better to have another hand to help you keep frame in balance during this step

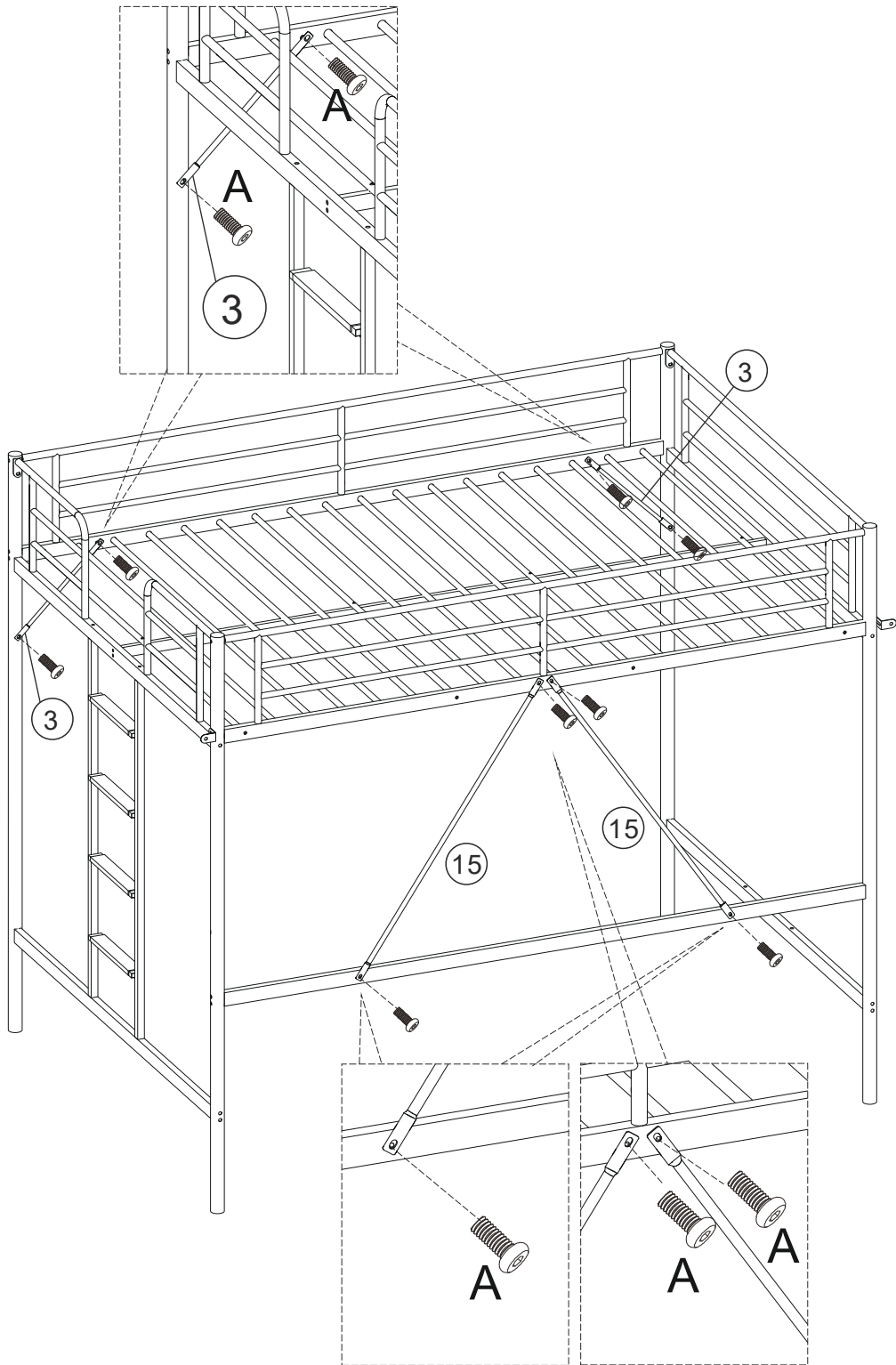
Connect assembled side rail and back bar #7 with the main part via Screw C, B and Washer E

Notice: If you want to mount the bed to the wall, remember to fix the wall mount bracket J on the back legs



CODE	HARDWARE	QTY
C	 M6x40mm	4
B	 M6x60mm	16
E	 Ø13xØ8x1	16
I		1
J		2

Assembly Steps

STEP 7 Assemble Support Bar

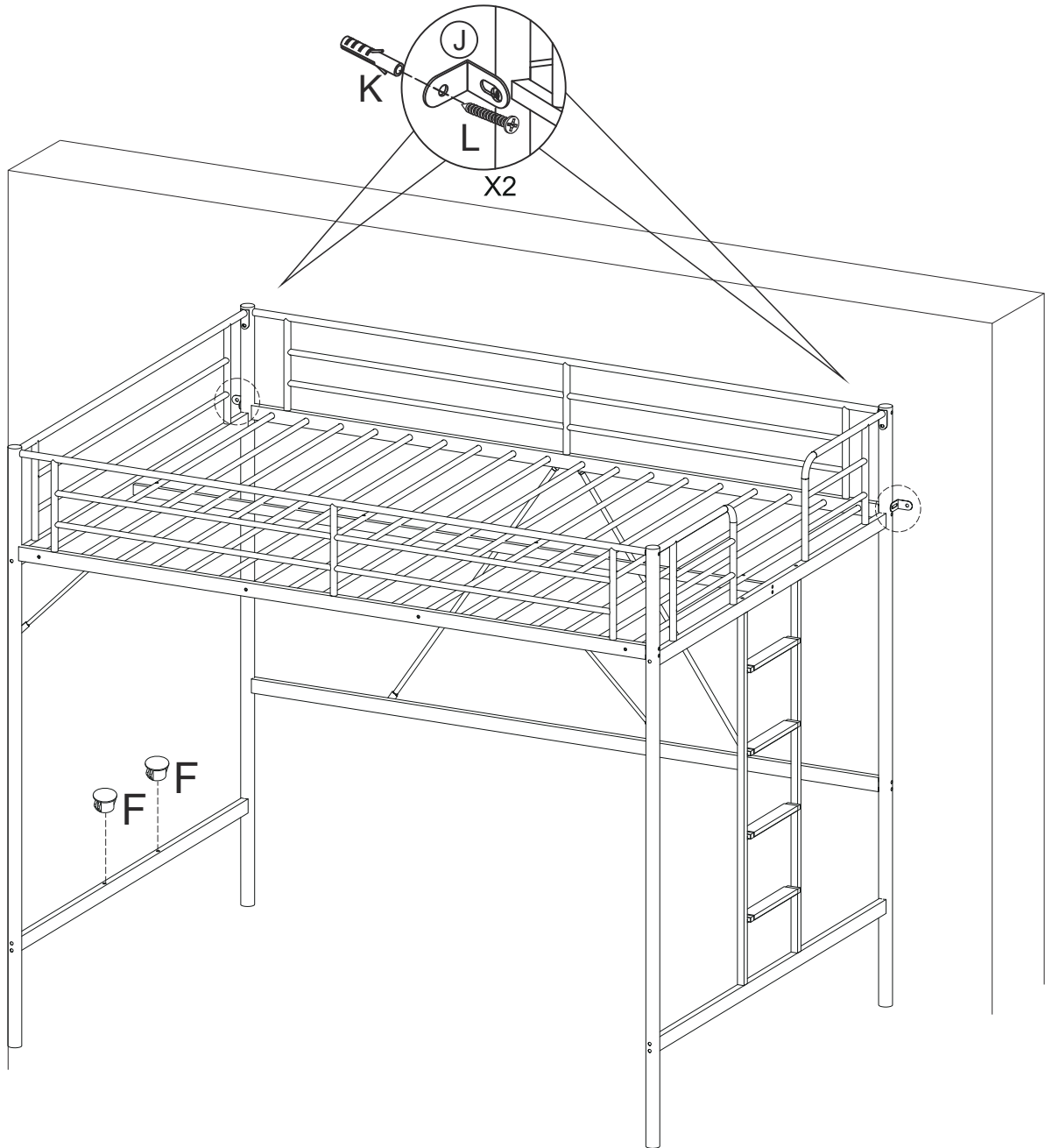


Fix Support Bar #15
and #3 via Screw A

CODE	HARDWARE	QTY
A	 M6x12mm	8
I		1

Assembly Steps




STEP 8 Secure Bed to the Wall



① Put the tube #K into the wall ,and then fix the bed via the Screw L

② Put the Hole Cover F into side bar #6

Warning: Do not step on the slats before putting on the mattress

CODE	HARDWARE	QTY
F		2
K	 6x35mm	2
L	 M4x35mm	2