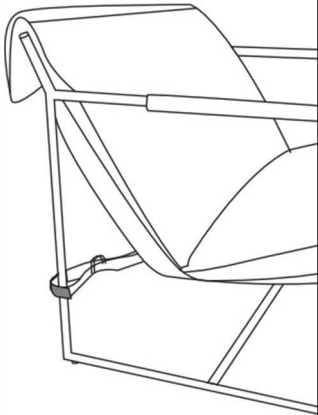


Owner Manual



WARRANTY

We strive to offer high quality product and we also try our best to satisfy each customer that order from us, no matter on products or services as needed. Each customer receives a record of their order, such as the order number or item receipt. For any items that are out of warranty period, you may still be able to purchase the replacement parts from our company if they are available.



MAINTENANCE AND WARNING

Please read the manual thoroughly
before you start installing.

Please keep the product away from
sharp object.

Packaging and small parts may have
chocking hazard, please keep them away
from children and pets.

Please clean the product according to each
clean code, check the product description
for more information.

Please keep the product away from
fire.

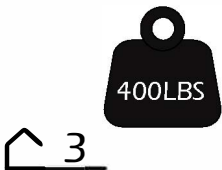
If you have any other questions, please
contact us, we will be glad to help you out.

If the product is placed under direct
sunlight, the pattern or color might fade
away overtime.

Check the product periodically to make
sure everything is secured and tightened.

Always use proper tools for installation.

Do not jump on the product.



Around 45 min

PRODUCT DESCRIPTION

Lounge chair is built to last, featuring a reinforced metal frame that guarantees stability and longevity.

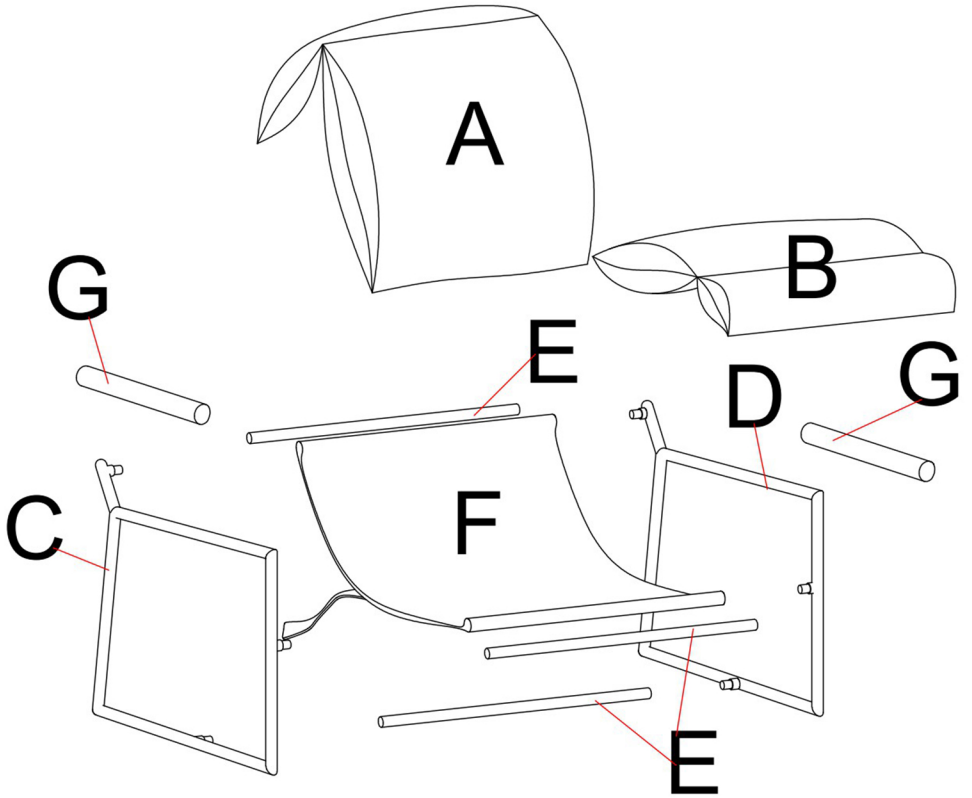
The 7-inch-thick ultra-soft seat cushion offers perfect leg support, while the foam-padded backrest ensures lasting comfort.

The soothing design makes it a perfect addition to any living

To maintain the chair's pristine condition during shipping, the cushions are vacuum compressed.

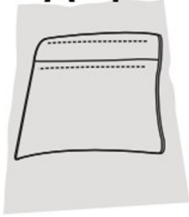
The comprehensive packaging includes all necessary components, tools, and step-by-step instructions, conveniently packed into one box for a hassle-free assembly

EXPLODED VIEW



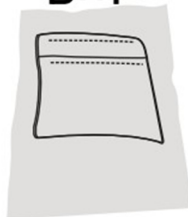
PARTS

Ax1



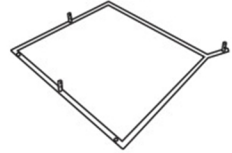
Back Cushion

Bx1



Seat Cushion

Cx1



Right Armrest

Dx1



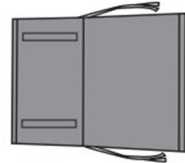
Left Armrest

Ex3



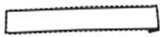
Metal Bars

Fx1



Cushion Support

Gx2



Armrest Covers

HARDWARE

TOOL LIST

NOTE: Designated with (★) We provide additional spare parts in the hardware package

① x12



★ M6* 10MM
Bolt

② x1



Allen key

③ x1

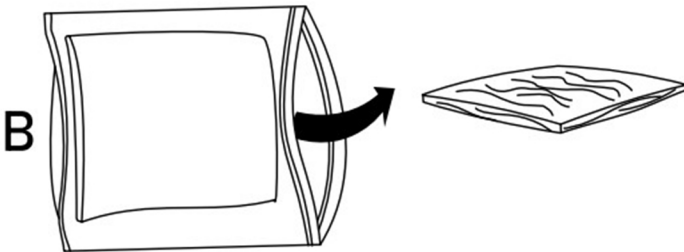
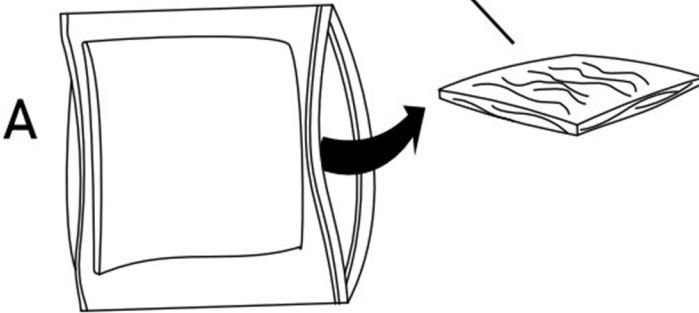
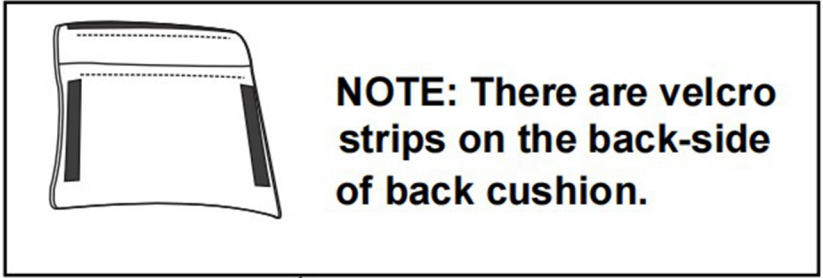


★ Plastic foot pad

Please make sure all hardware&packing material fitting the list.
Especially some small accessories may be missing during transportation. Please contact us if you have any question.

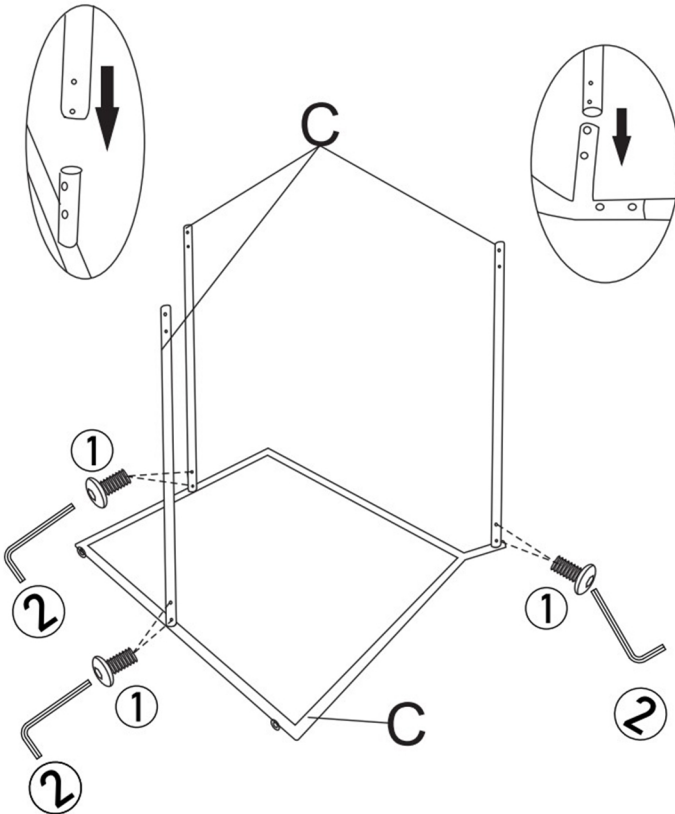
step 1

Take out the cushions (A & B) from the compression bags, allow it to recover to its original shape, it might take up to 24 hours to recover, you may gently slap on them to speed up the process.



step 2

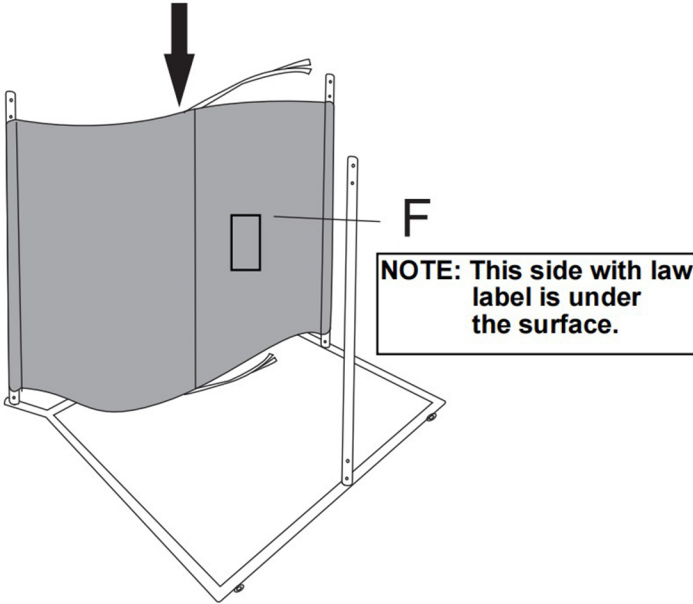
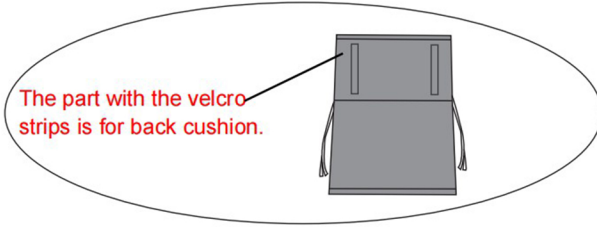
Place the right armrest (C) upside down, and insert the metal bars (E) into each joints on armrest, then tighten them with the bolts (1) and Allen key (2) provided. Make sure all the metal bars are correctly inserted before tighten the bolts.



NOTE: When screw the bolts, don't tighten completely, but only for 50%.

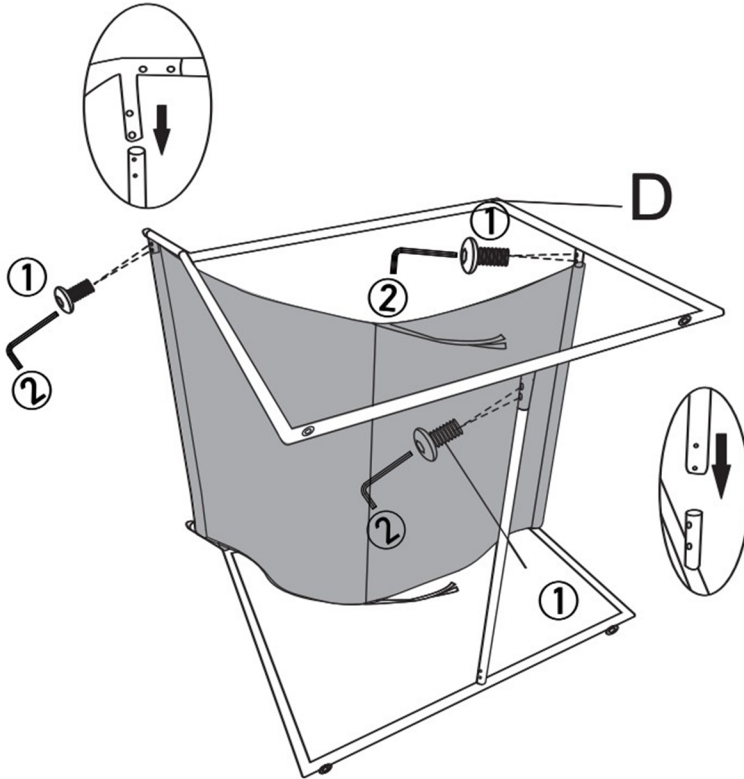
step 3

Turn the assembled part on the side, and insert the metal bars (E) into the fabric tracks on both sides of the cushion support (F) as shown.



step 4

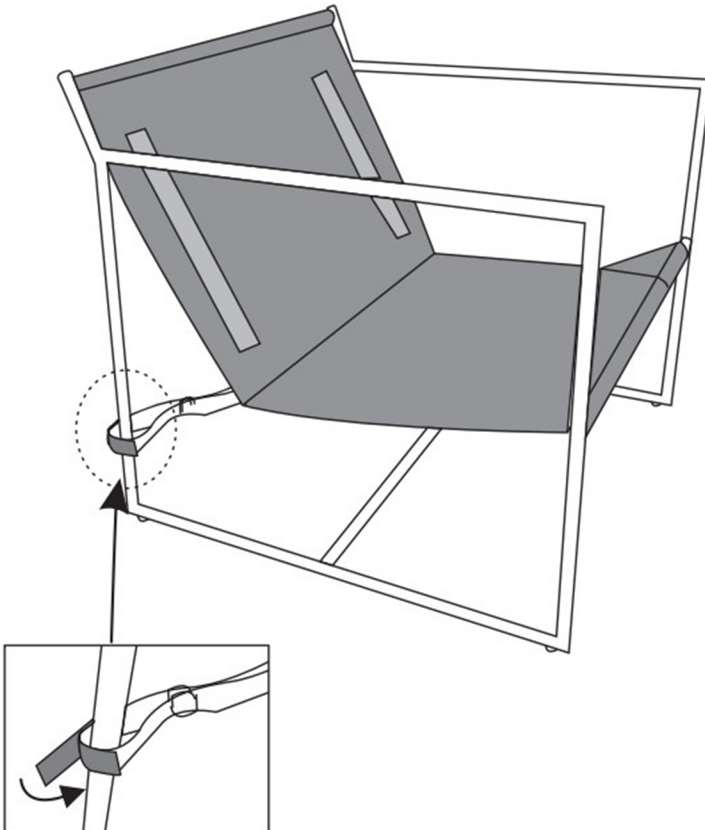
Connect the left armrest (D) with the metal bars (E) by inserting the bars into the joints. Then tighten them with the bolts (1) and Allen key (2) provided.



NOTE: When all bolts are fixed into the settled holes, tighten all of them with allen key completely.

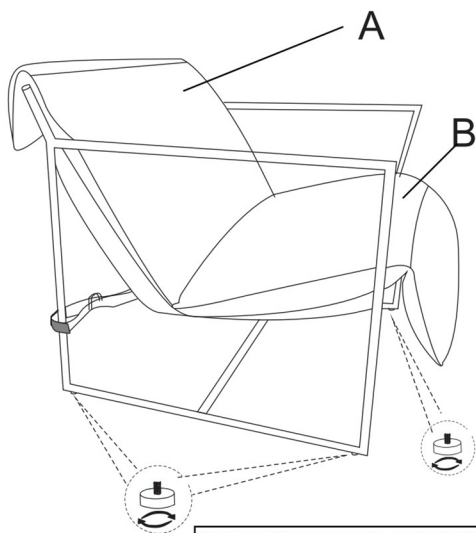
step 5

Tie the strings on the cushion support (F) to the rear metal tubes of both armrests (C & D) as shown. Stick the Velcro patches on both parts.

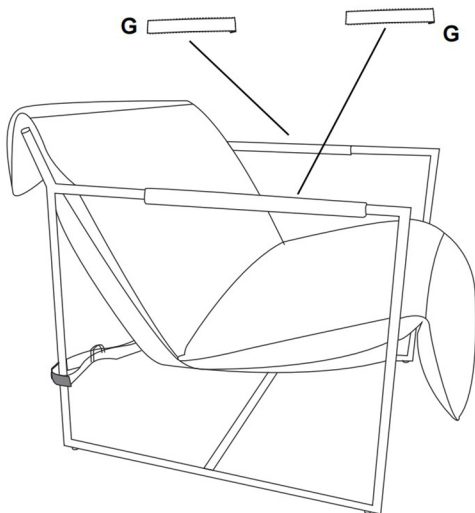


step 6

Place the seat cushion (A) and back cushion (B) onto the seat. Take out the armrest covers (G) and zip it onto the armrests (C & D) as shown.



NOTE: If the chair is not stable after assembly, please adjust the plastic foot pads on the bottom.



step 7

The assembly is completed, thank you for choosing our product, please enjoy!

