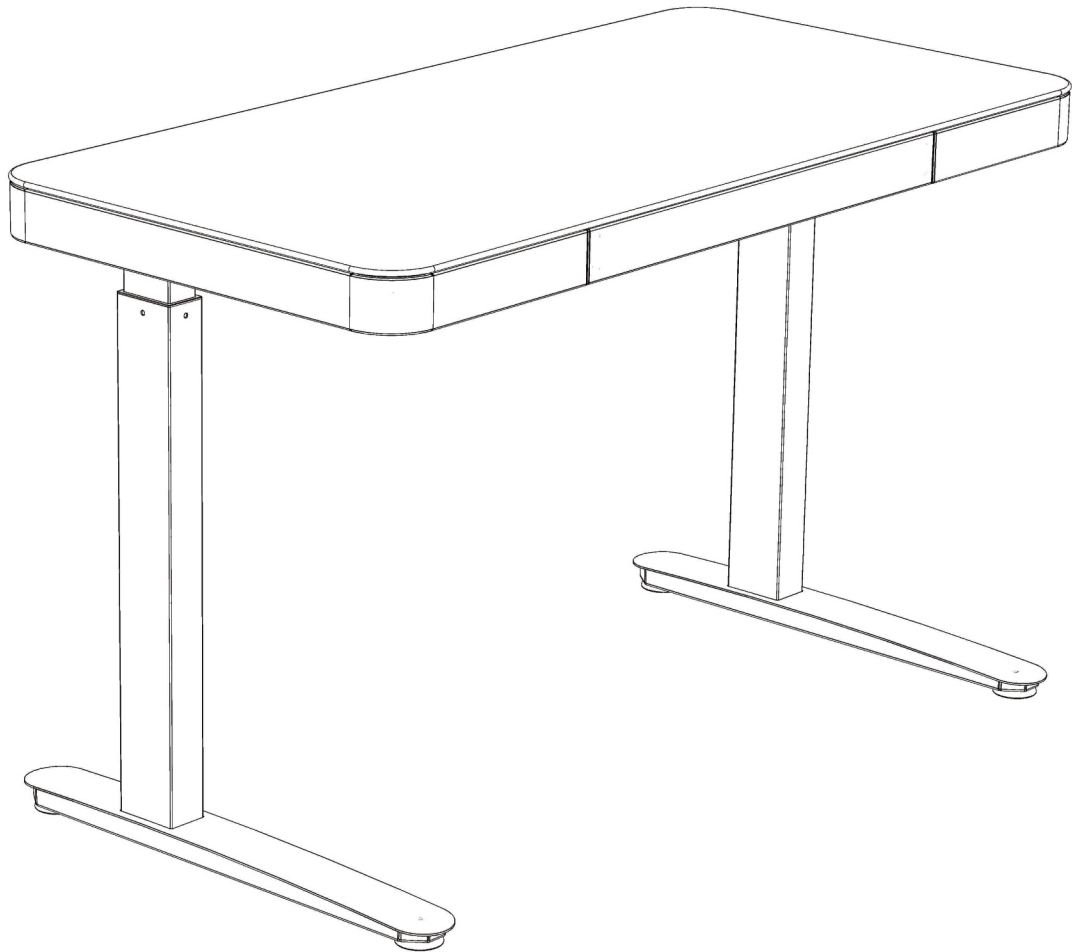
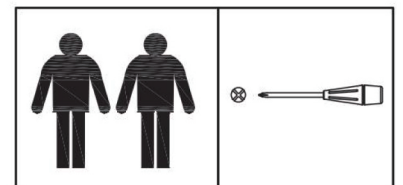


# Height Adjustable Standing Desk



**Warning:**

1. Maximum load capacity is 200 lbs.
2. Improper use may lead to tipover.
3. Assembly requires two persons.



# CAUTION, USE & LIABILITY

## CAUTION

Make sure no obstacles are in the desk's path. Make sure the desktop is not touching any walls. Make sure all cords are of appropriate lengths to accommodate the change in desk height.



Read and understand this manual before attempting to install or operate.



This product is not intended for use by young children or for those who require supervision



Do not sit or stand on the desk. Do not crawl or lie under the desk.



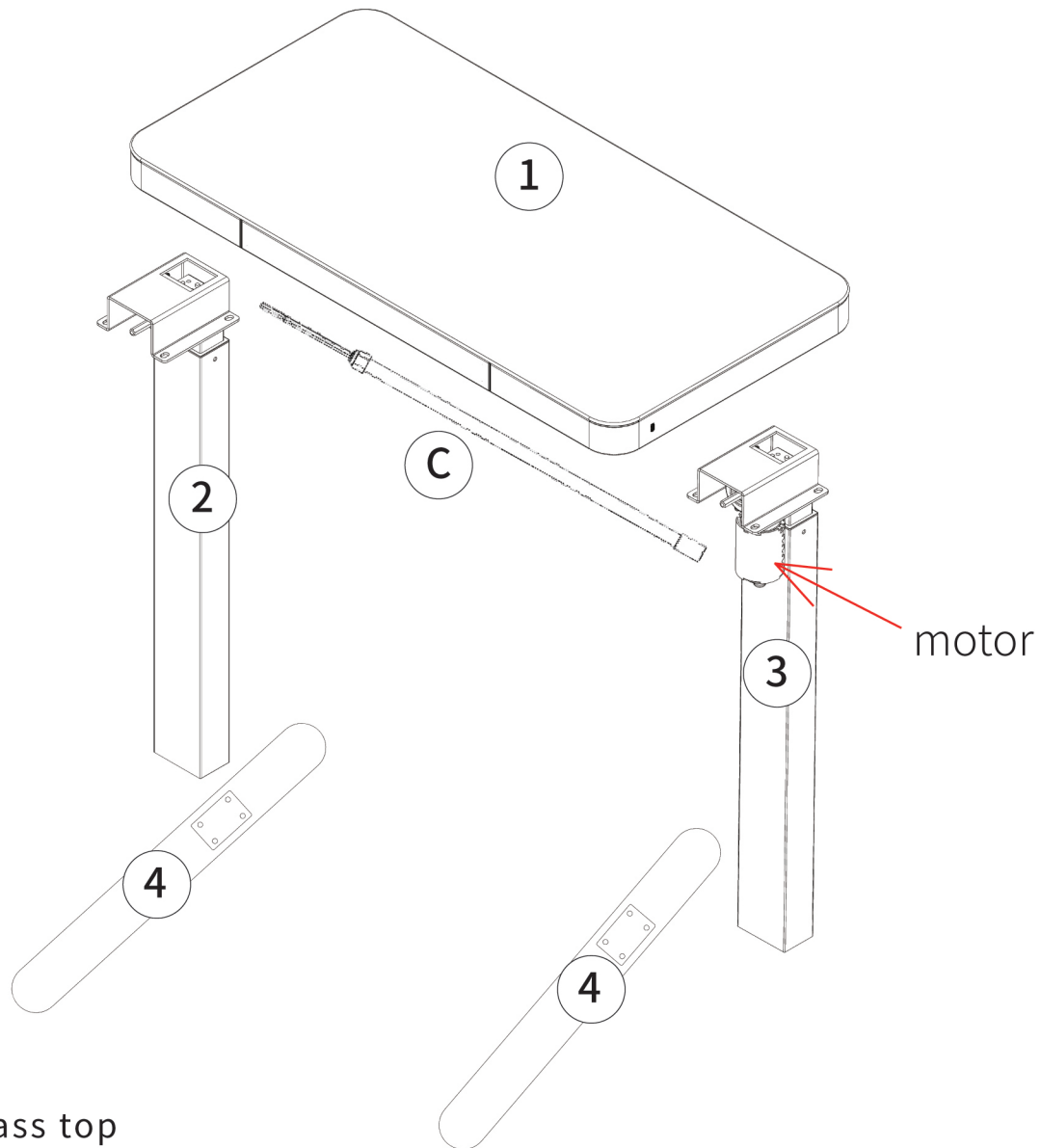
Do not place any objects taller than 20" underneath the desk.






Do not open any of the components- lifting columns, control box, or controller. There is a risk of electric shock.

## USE & LIABILITY

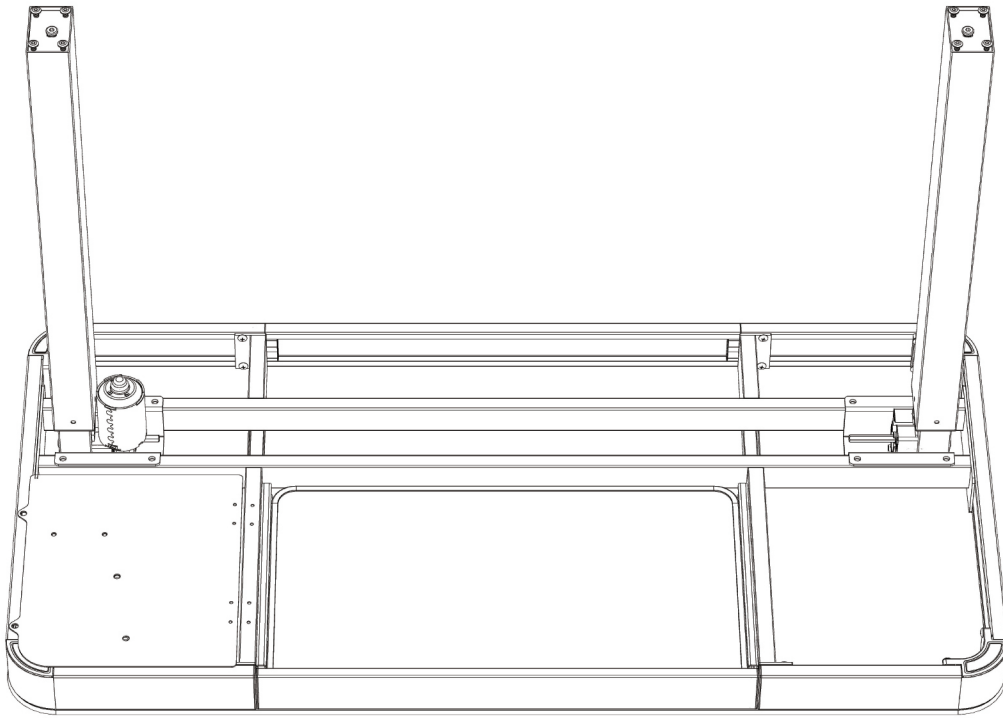
Reset desk if legs are uneven or correct height is not displayed. Touch/hold BOTH UP and DOWN icons to reset. The desk will start going down and flashing 000 will appear. Please keep your fingers on the icons throughout the whole process until 30" is displayed as the desk reaches the lowest point and bounces back slightly.



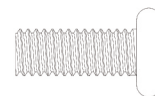
- 1. Glass top
- 2. Left leg
- 3. Right leg (with motor)
- 4. Foot
- C. Centre Driveshaft

	<p><b>AX17</b> (M6*16)</p>		<p><b>BX1</b> (M6 Allen Wrench)</p>
	<p><b>CX1</b> (Centre Driveshaft)</p>		

# 1



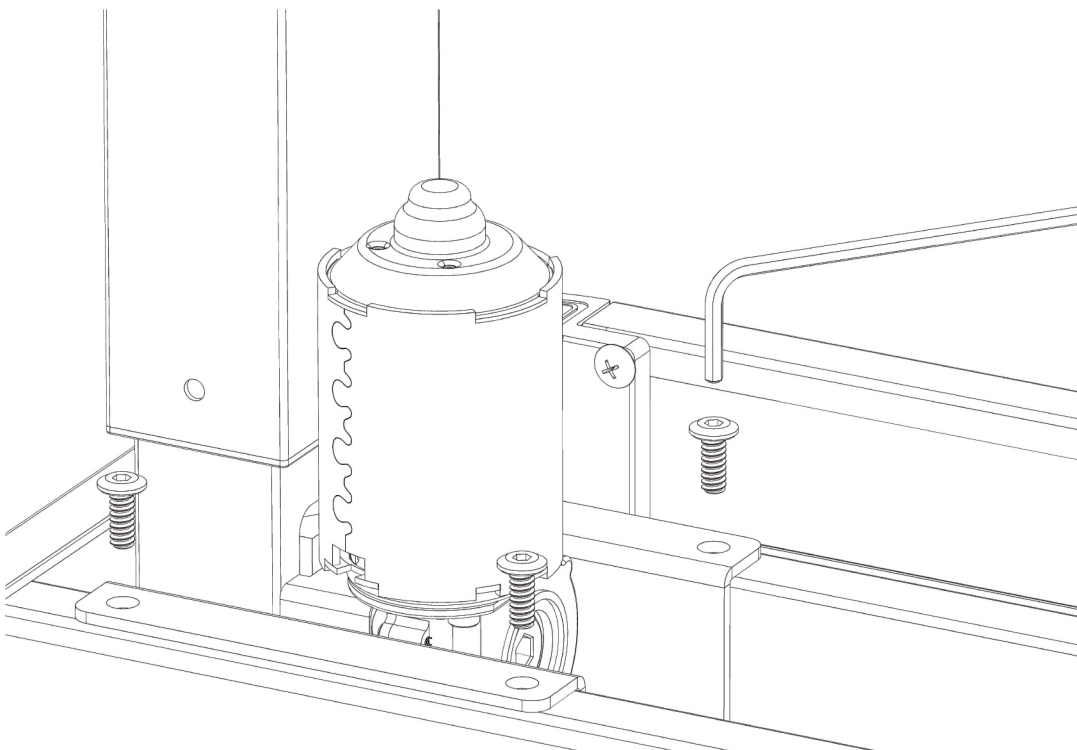
1. Place top assembly on a soft and non-abrasive surface.
2. Install the legs with 8 screw A. Make sure the right leg (with motor) be installed on the left side.



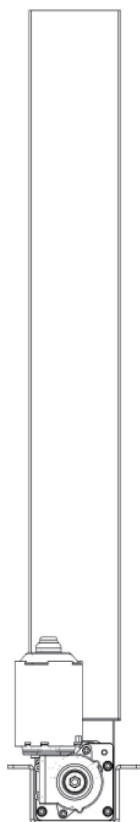
**AX8**



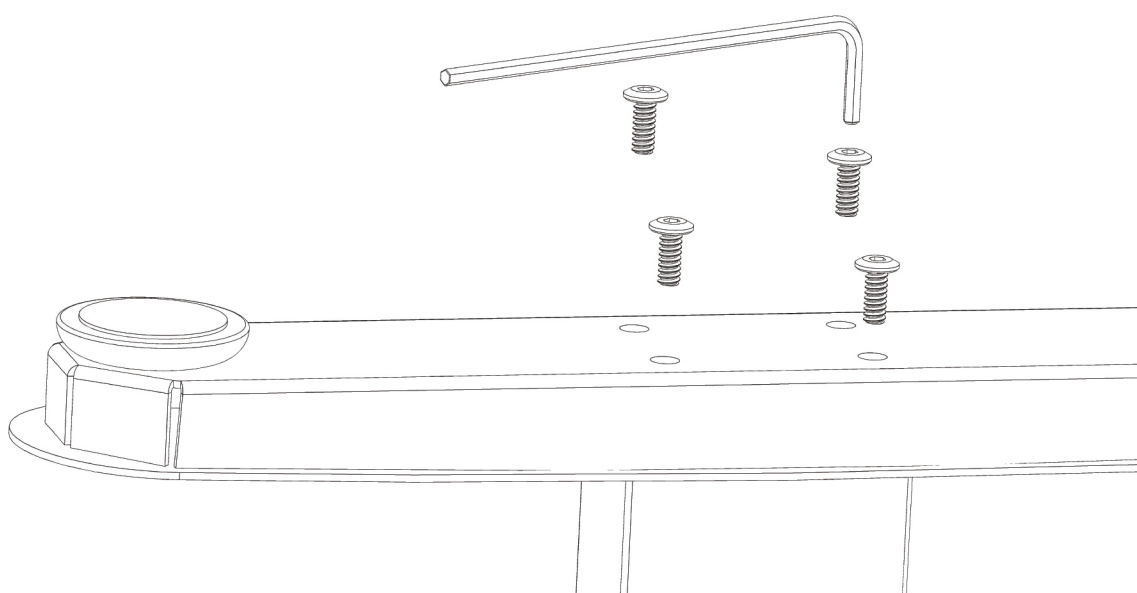
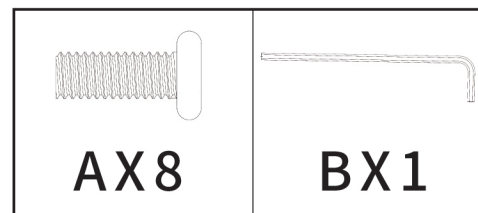
**BX1**



2

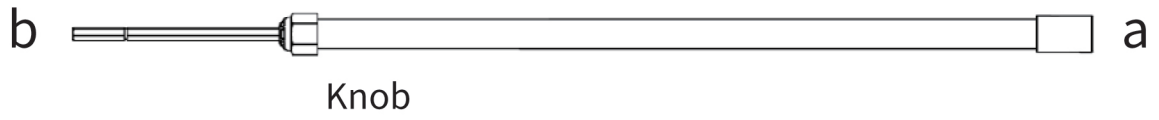


Install feet with 8 screw A

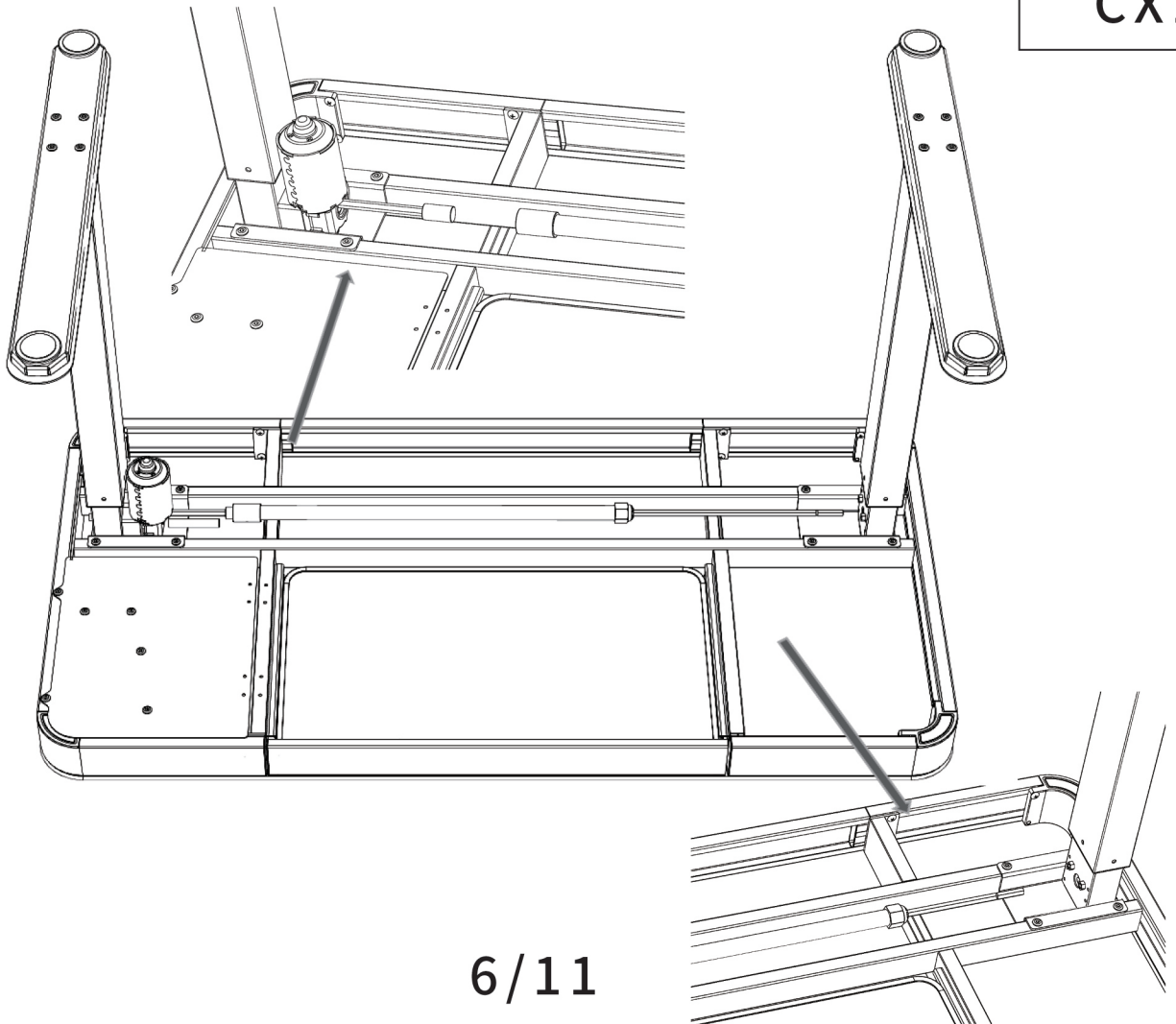
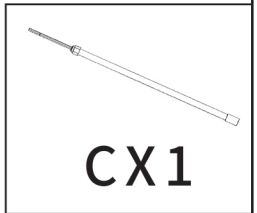


3

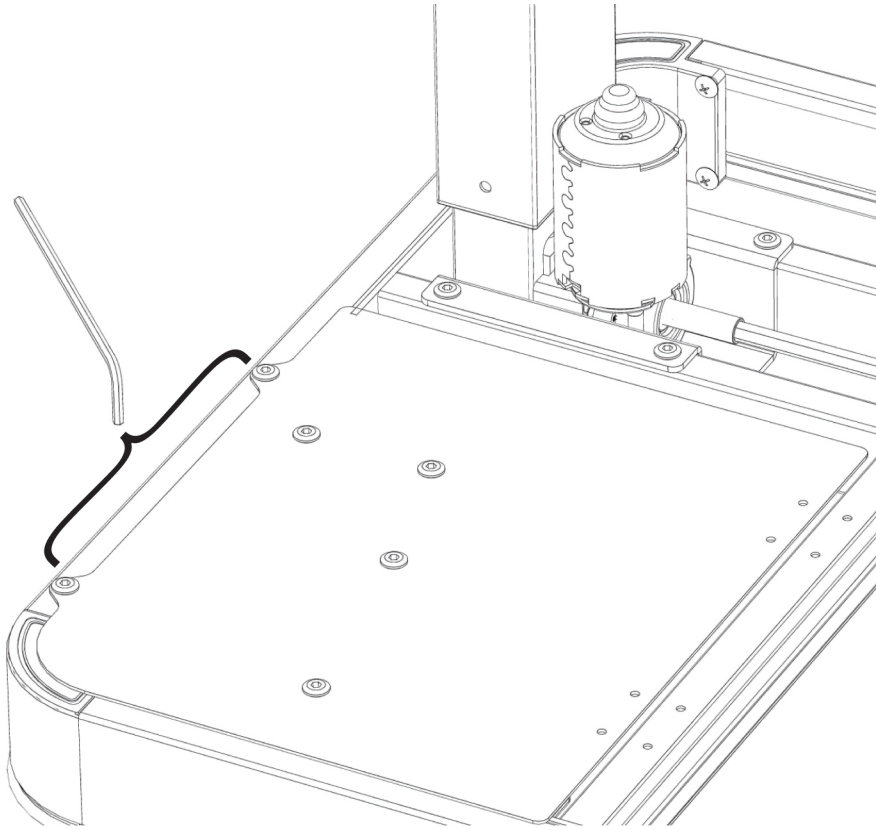
Length adjustable



Insert driveshaft end (b) into the leg without motor, loosen the knob by hand to extend driveshaft, and insert the end (a) into the leg with motor. Tighten the knob.



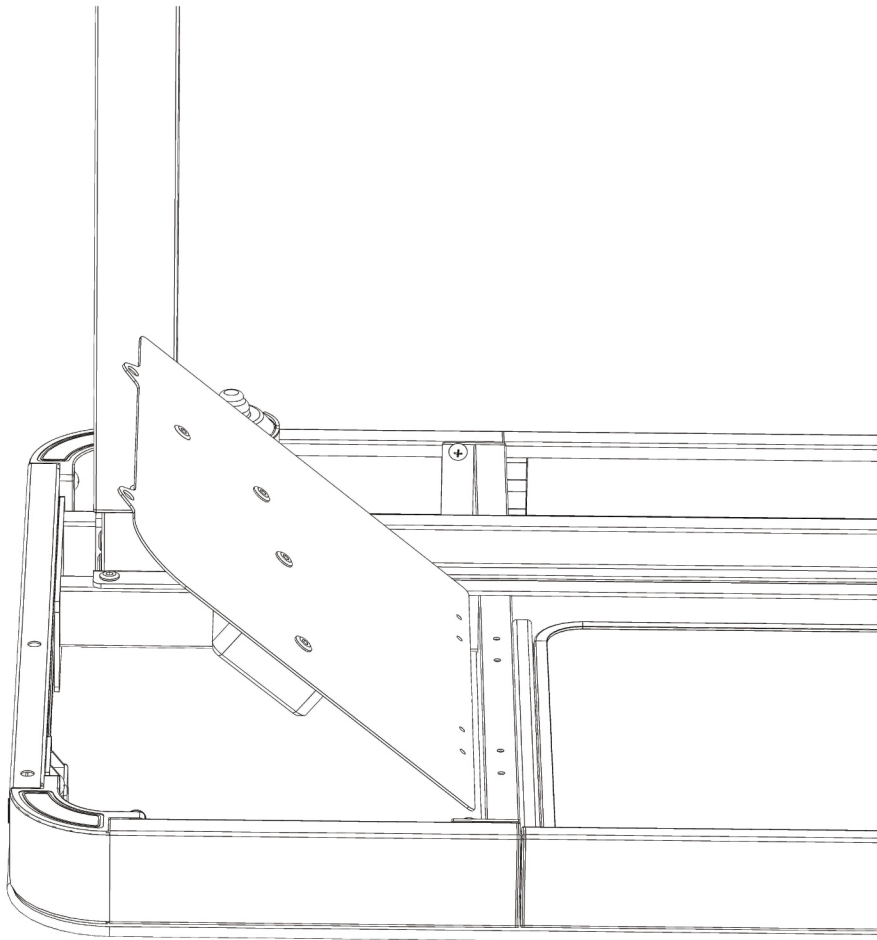
4



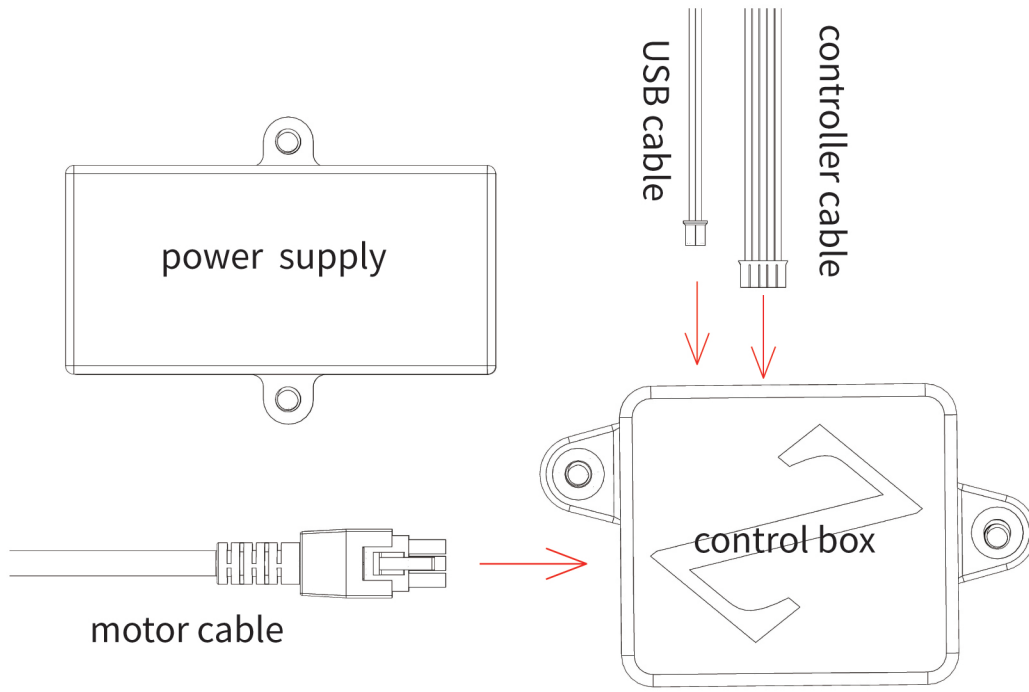
Remove two screws of the compartment that contains power supply and control box.



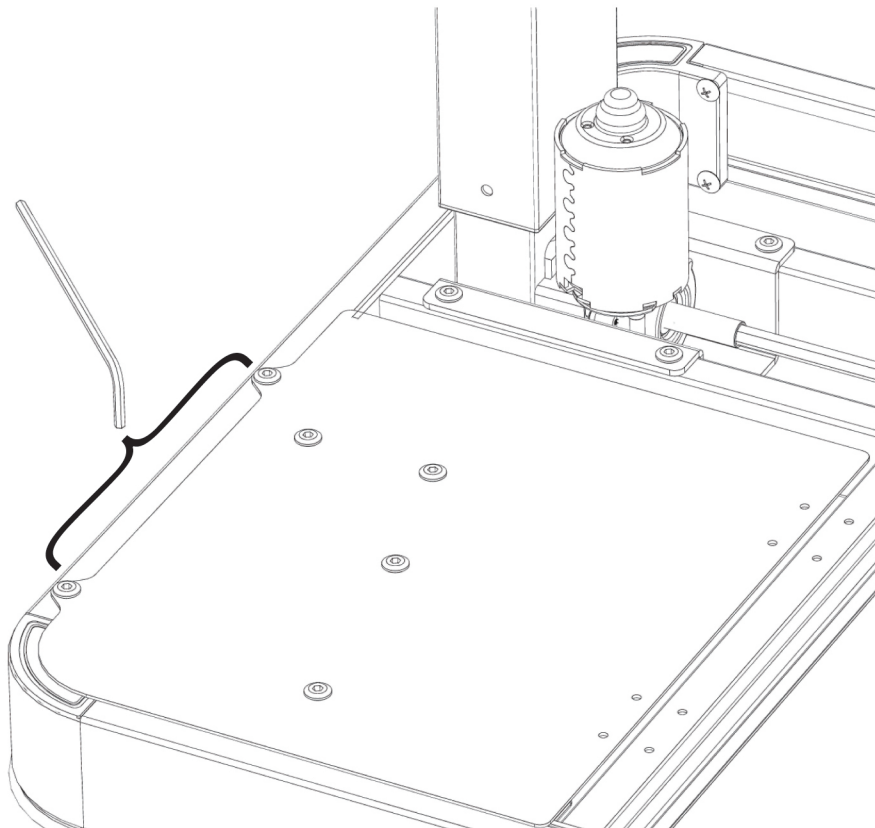
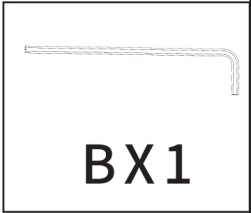
**BX1**



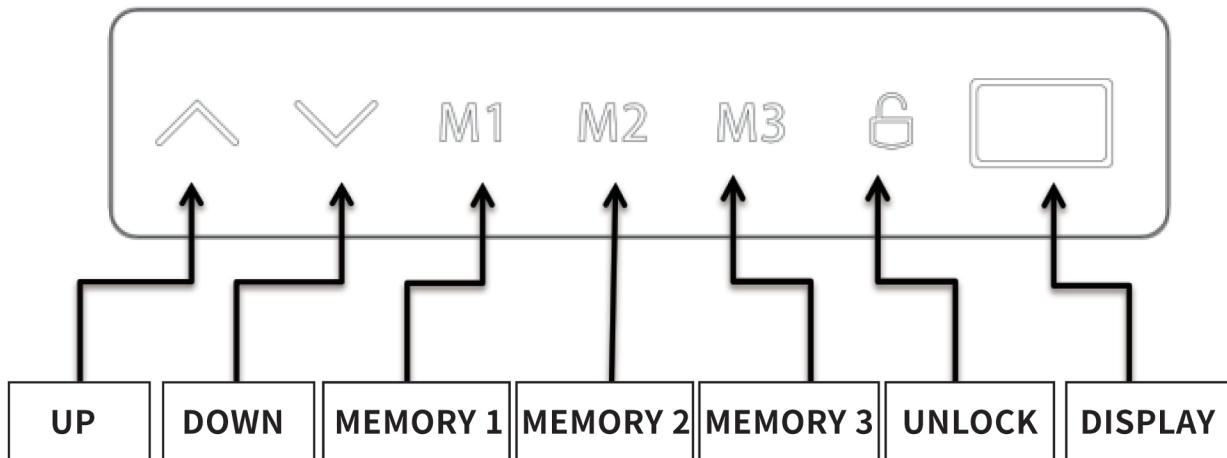
5




1. Connect USB cable , motor cable and controller cable to control box.
2. Close the compartment and secure it with two screws.



# 1、TOUCH PANEL ICONS



## 2、BASIC OPERATION

- 1.Touch/hold “  ” for 3 seconds to unlock.
- 2.Touch/hold UP or DOWN button to raise or lower, and release to stop.
- 3.Touch panel goes dark after 10 seconds of non-operation. Press any icon to wake up the touch panel.

### Program Presets

- 1.Touch UP or DOWN icon to go to desired height.
- 2.Touch/hold M1, M2 or M3. Preset is done when the icon blinks.
- 3.Simply touch preset icon to go to preset height. Touch any icon to stop.

### Reset

Reset desk if legs are uneven or correct height is not displayed. Touch/hold BOTH UP and DOWN icons for 5 seconds to reset.

### 3、ERROR CODE

<b>Error Code</b>	<b>Solution</b>
<b>E-0</b>	Desk not initialized. Touch/hold UP and DOWN icons for 5 seconds to reset.
<b>E-1</b>	Control box malfunction. Touch/hold UP and DOWN icons for 5 seconds to reset. Contact dealer if issue remains.
<b>E-3</b>	Over current. Contact dealer.
<b>E-4</b>	Low power supply voltage. Replace power supply.
<b>E-5</b>	Irregular Hall signal. Check all connections and reset desk. Contact dealer if issue remains
<b>E-6</b>	Motor or Hall signal failure. Check all connections and reset desk. Contact dealer if issue remains

# WARRANTY INFORMATION

## SCOPE OF WARRANTY

We warrant to the original purchaser its new desk (except for components not warranted under "Exclusions") manufactured to be free from defects in material and workmanship under normal use and service. Our obligation under this warranty is limited to the repair or replacement, at our sole option, of the parts or products the defect of which are reported within the applicable warranty period and which, upon examination, prove to be defective.

## APPLICABLE WARRANTY PERIOD

The applicable warranty period, measured from the date of delivery to the original user, shall be two (2) years on electric parts, five (5) years on non-electric parts.

## EXCLUSIONS

This limited warranty does not cover and we shall not be liable for the following: (1) repairs and replacements because of misuse, abuse, negligence, alteration, accident, freight damage, or tampering; (2) products which are not installed, used, stored and properly cleaned as required in the "Assembly Guide" for this product; (3) products considered to be of a consumable nature; (4) Shipping to or from repair center; (5) accessories or parts not manufactured by us; (6) charges by anyone for adjustments, repairs, replacement parts, installation, or other work performed upon or in connection with such products which is not expressly authorized in writing in advance

## EXCLUSIVE REMEDY

Our only obligation under this warranty is the repair or replacement of defective parts. We shall not be liable for any direct, special, indirect, incidental, exemplary, or consequential damages or delay, including, but not limited to, damages for loss of profits or loss of use.