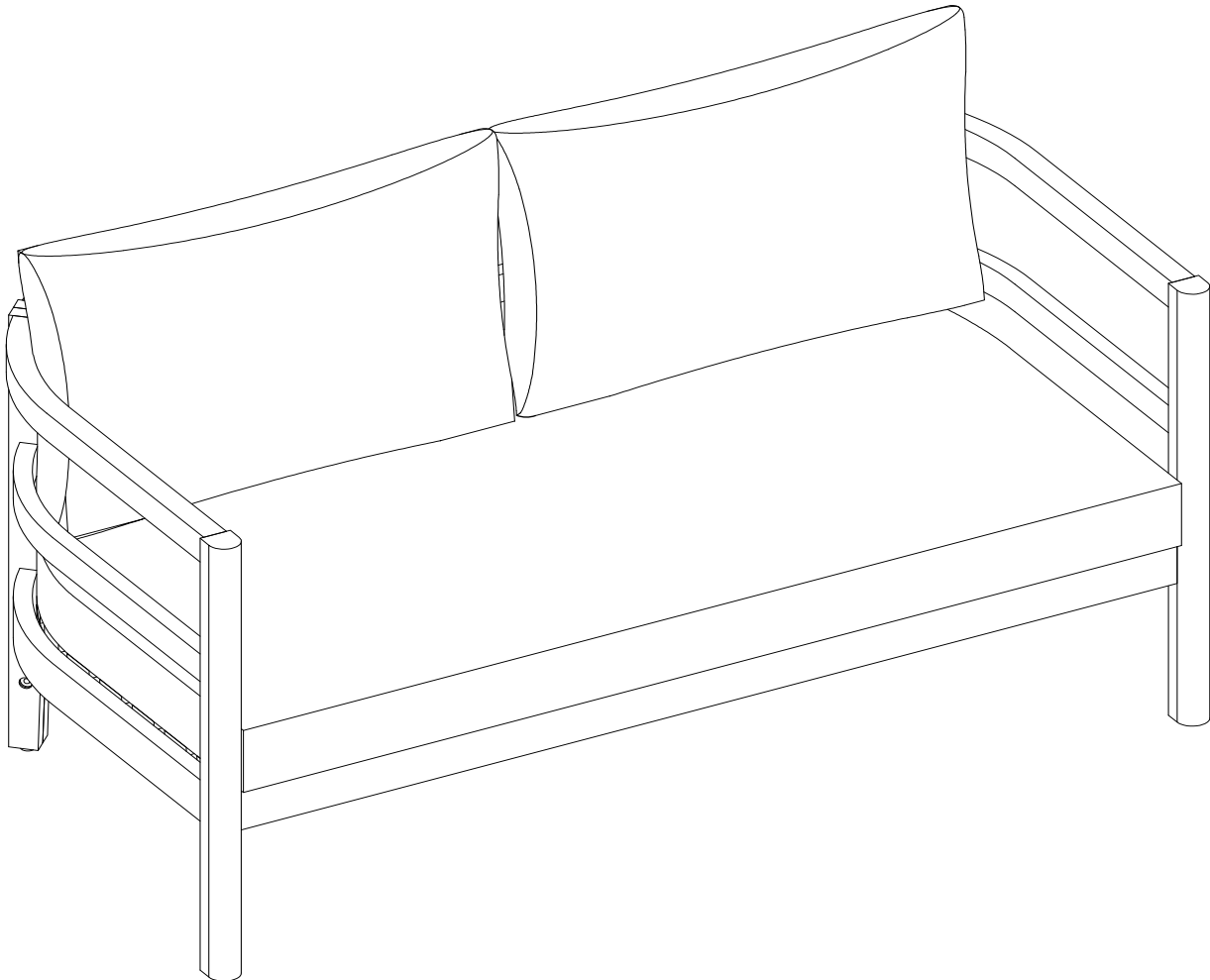


Assembly Instructions

Loveseat

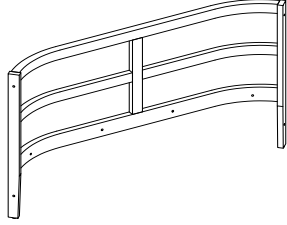
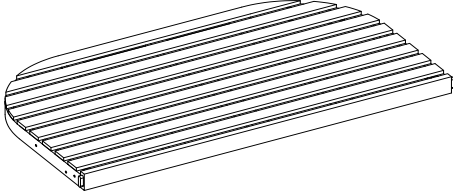
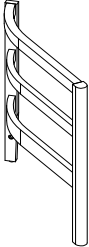
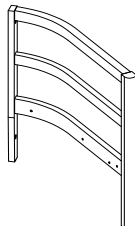
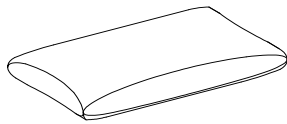
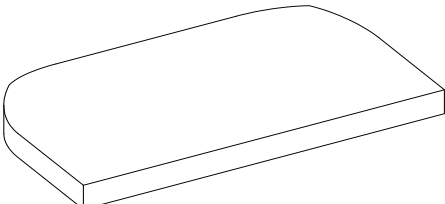
CAUTION: You must read this before you proceed.

Please look under the Seat Panel for hardware pack.



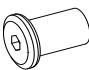
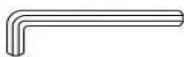


CAUTION : This Loveseat is NOT a TOY.
Keep your child / children at bay in the process of assembly.
For turning the Loveseat and to prevent damage to the Loveseat,
02 persons may be needed to execute this action.

Parts List

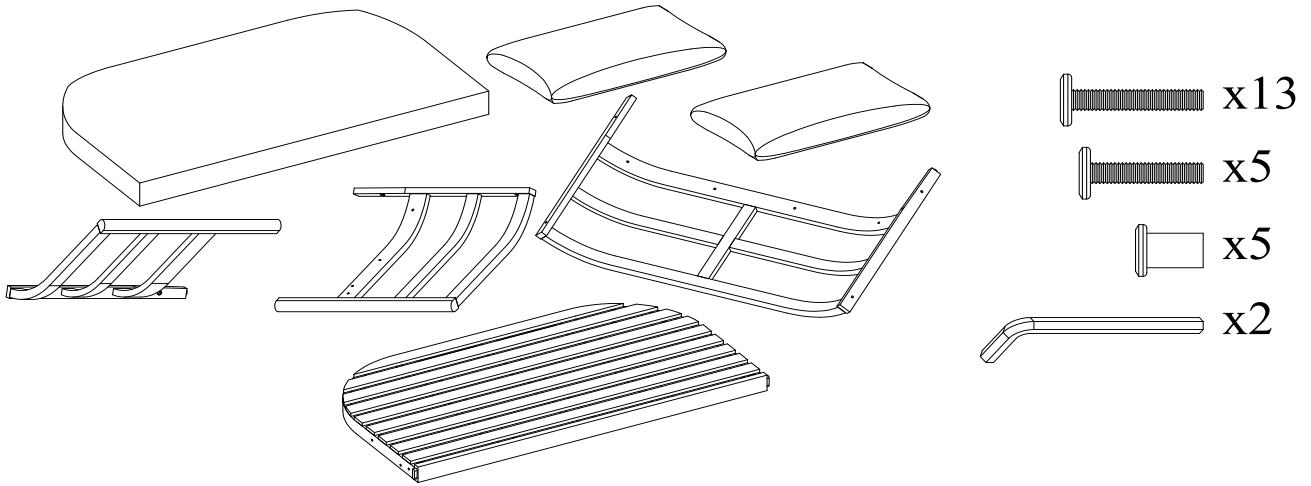
No.	Picture	Description	Qty
A		Backrest Panel	1
B		Seat Panel	1
C		Left Side Panel	1
D		Right Side Panel	1
E		Back Cushion	2
F		Seat Cushion	1

Hardware

Label	Picture	Description	QTY
①		Bolt (M6 x 35mm)	13
②		Bolt (M6 x 30mm)	5
③		Nut (M6x15mm)	5
④		Allen Wrench	2

Assembly Preparation

Before Beginning Assembly:



Read instructions, cover to cover.



Have 2 adults on hand for assembly.



Do not assemble on flooring or carpet.

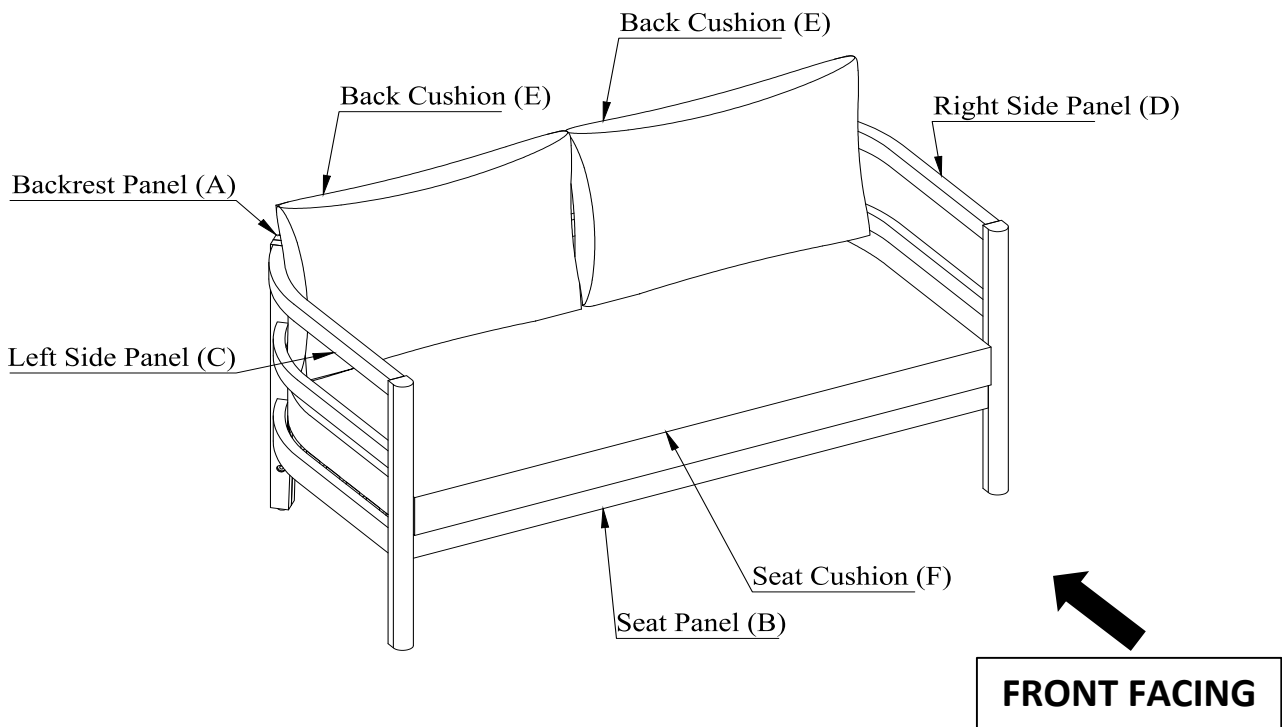


Assemble on a clean non-marring surface (packing foam).



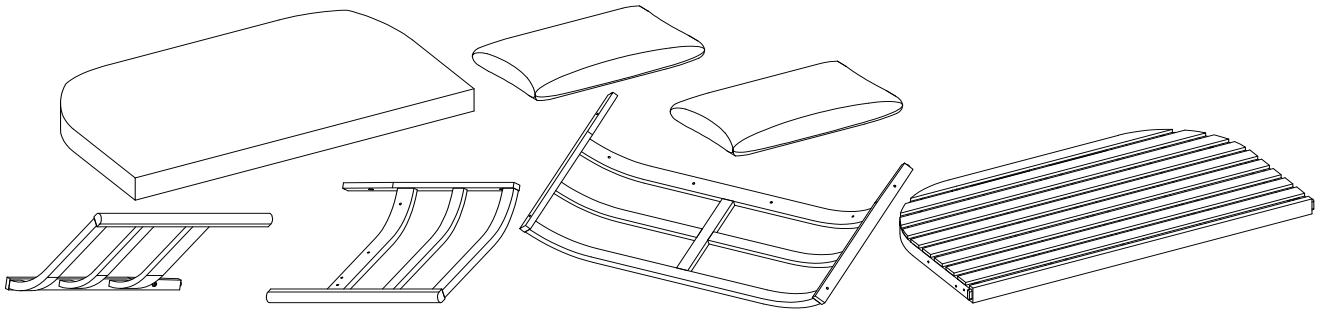
Save all packaging until finished.

Assembly Steps



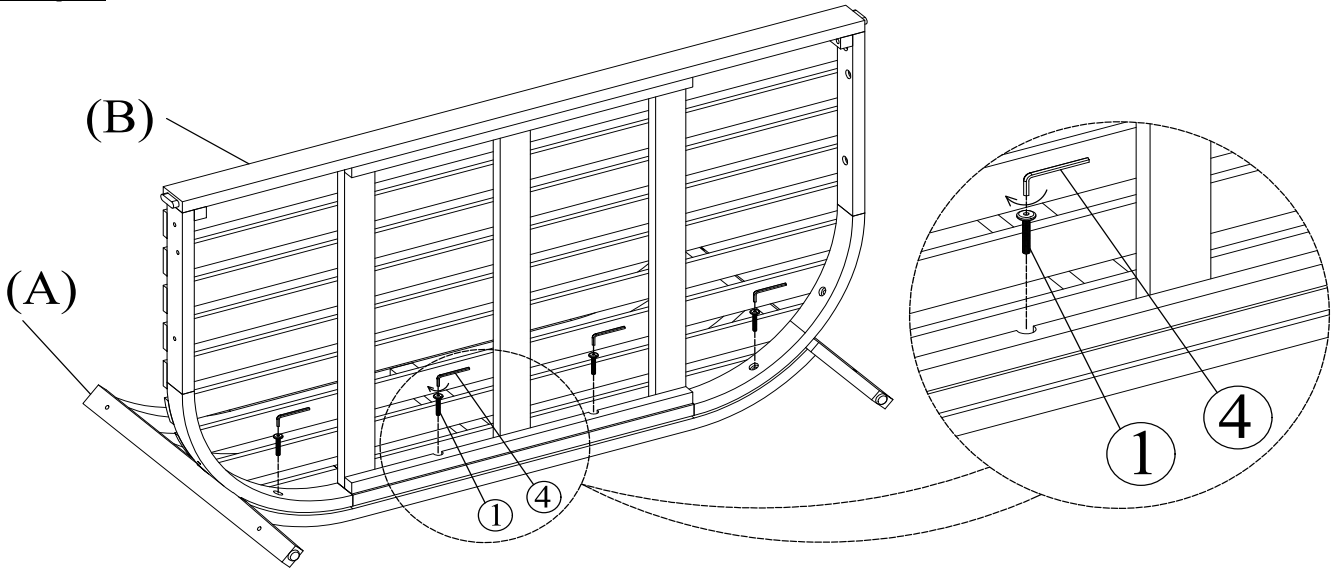
This Loveseat has multiple parts and may require up to 30 minutes to assemble. To give you an overview of the Loveseat parts, the above picture is to help you put the various parts into perspective. Please read through the instructions below to familiarise yourself with the parts and steps before assembly.

Step 1



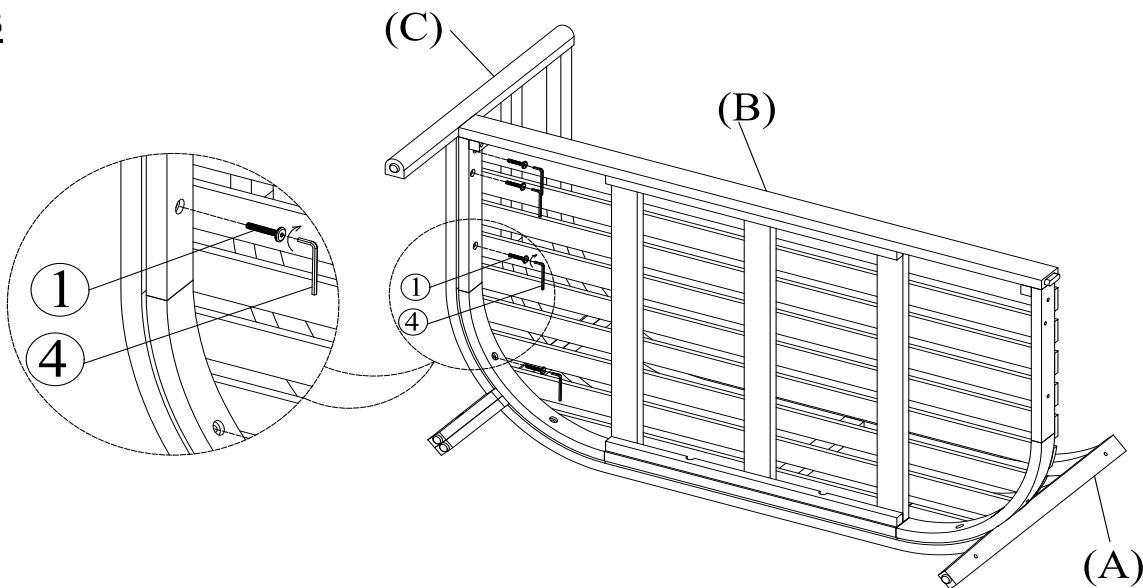
Unpack and place all parts on a clean, non-marring surface.

Step 2



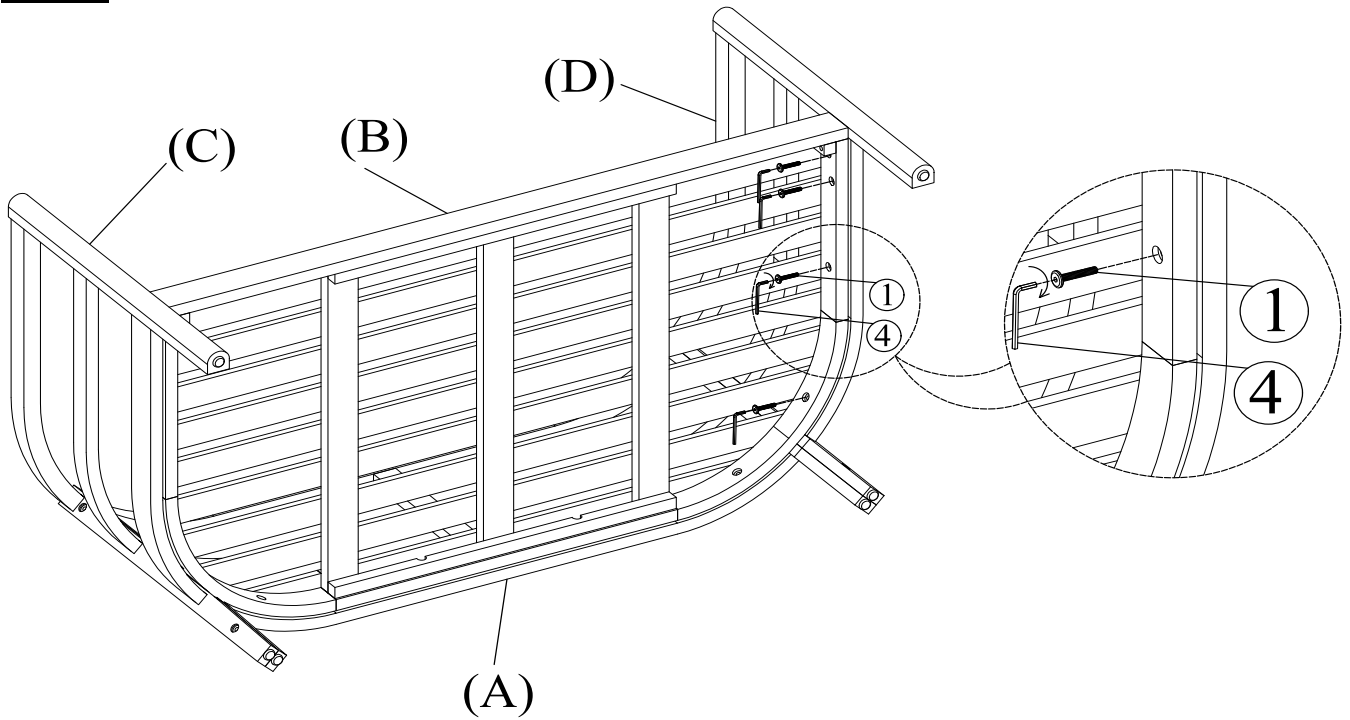
Place the Backrest Panel (A) facedown on a clean, non-marring surface as shown above. With assistance from your adult partners, attach the Seat Panel (B) to the Backrest Panel (A) by using Bolt (1) and Allen Wrench (4) as shown in the picture above. **Do not fully tighten the Bolts.**

Step 3



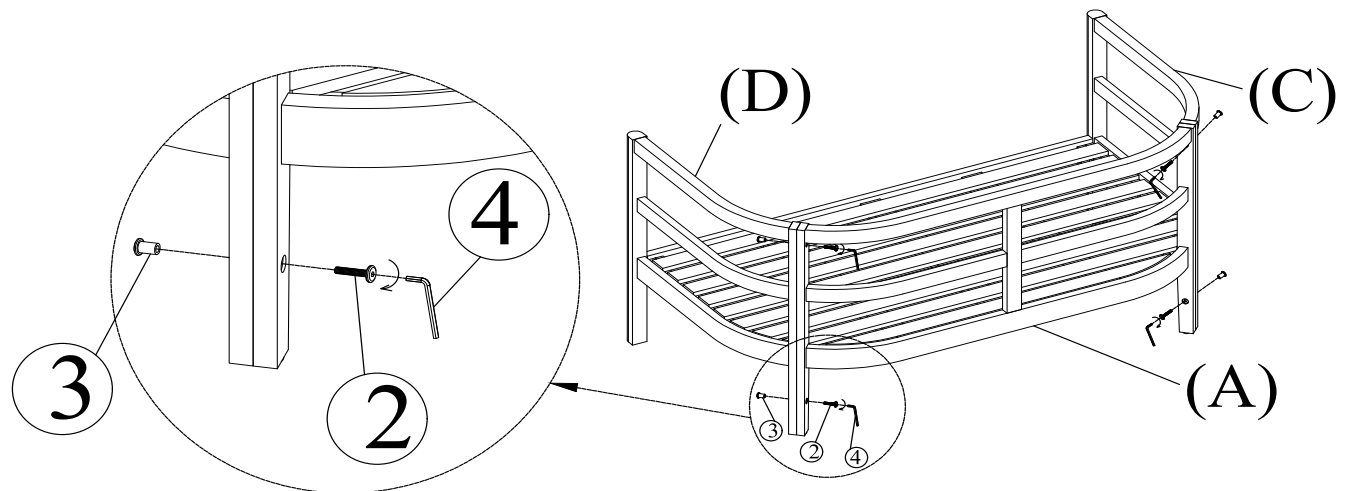
With assistance from your adult partners, attach the Left Side Panel (C) into the Seat Panel (B) by using Bolt (1) and Allen Wrench (4) as shown above. **Do not fully tighten the Bolts**

Step 4



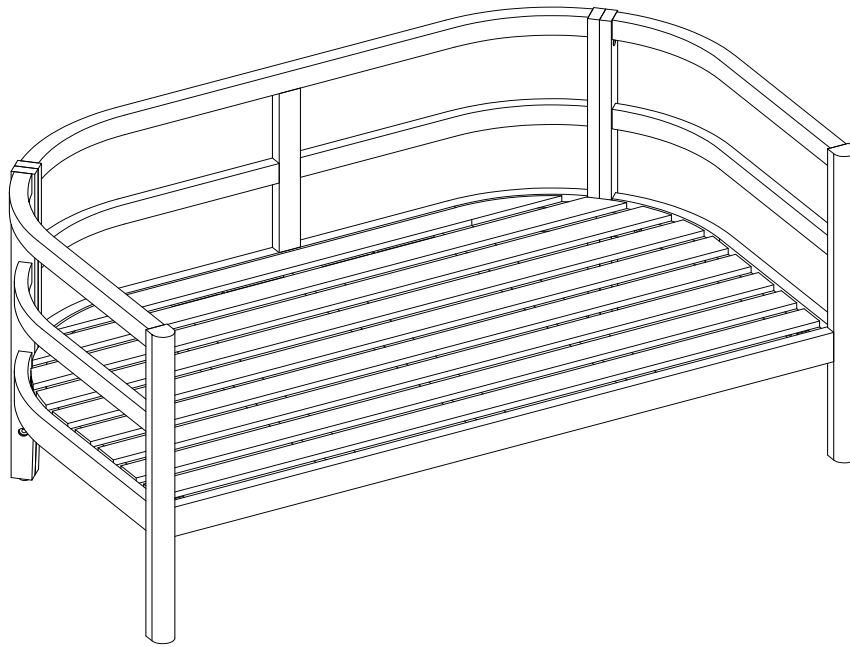
Repeat the same process as step 3 to attach the Right Side Panel (D) into the Seat Panel (B) by using Bolt (1) and Allen Wrench (4) as shown in the picture above.
Do not fully tighten the Bolts.

Step 5



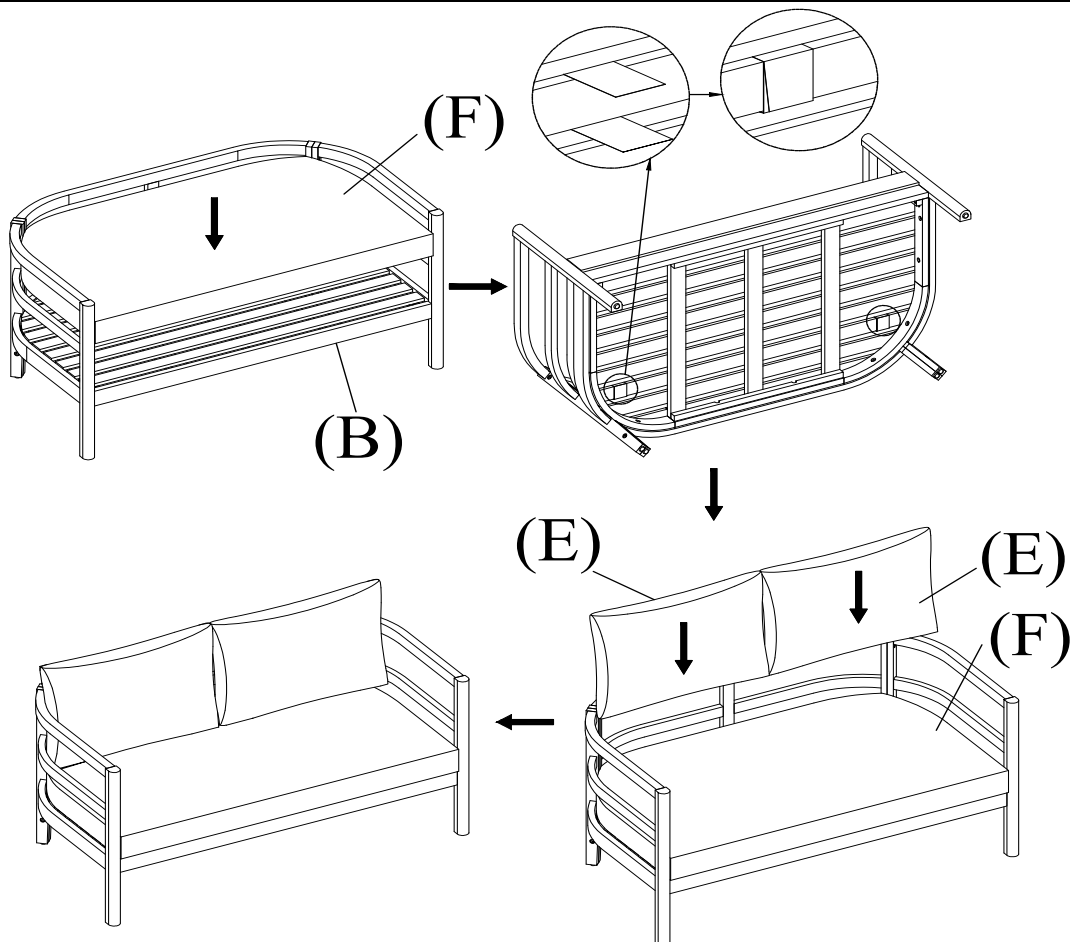
Turn the Loveseat right side up.
Secure the Left Side Panel (C) and the Right Side Panel (D) to the Backrest Panel (A) by using Bolt (2), Nut (3) and Allen Wrench (4) as shown in the picture above.
Do not fully tighten the Bolts.

Step 6



EXERT pressure, floorwards onto the Loveseat with both hands.
This pressure will help the Loveseat reach full alignment at all joints.
Inspect the Loveseat and make sure all parts are adequately connected.
In a sequential manner, **tighten ALL Screws and Bolts at ALL joints.**

Step 7












Place Seat Cushion (F) onto the Loveseat and affix the magic tape straps around the Loveseat as shown above.

Then place the Back Cushion (E) onto the Loveseat.

Your Loveseat is ready to be used.

This Loveseat can only be used on a flat, level surface.

Care & Maintenance

-  Do not put hot items directly on furniture surface
-  Do not clean furniture with harsh cleansers or polish.
-  To obtain the longest lifespan of your outdoor products, minimizing exposure to direct sunlight is recommended.
-  Children should not climb or jump on the furniture.
-  Do not write on furniture without a padded barrier to protect the surface.
-  To obtain the longest lifespan of your outdoor products, avoid extended and lengthy exposure to rain, snow, and direct sunshine. Whenever possible cover the product and /or place under patio or awnings.
-  Not for commercial use. For residential use only .
-  Stains may be removed with mild soap solution and damp cloth.
-  Dust and pick-up spills using a clean, non-colored, lint-free cloth.