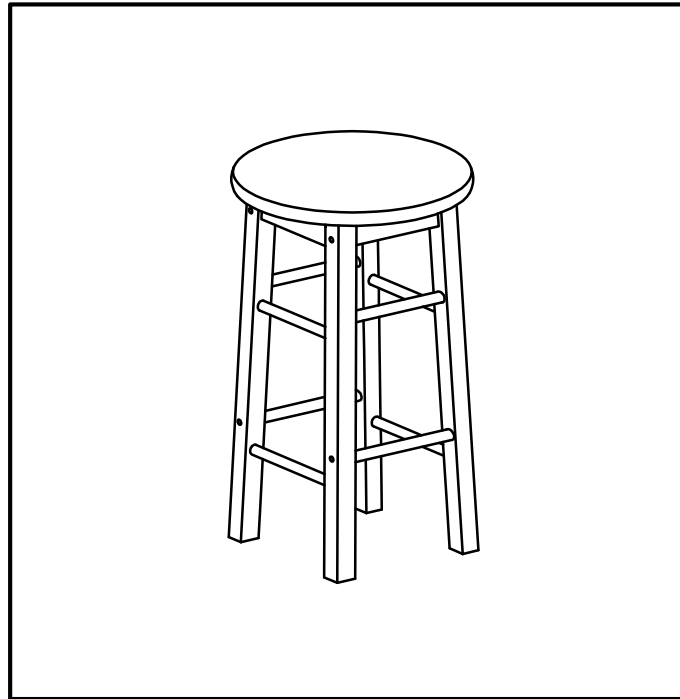


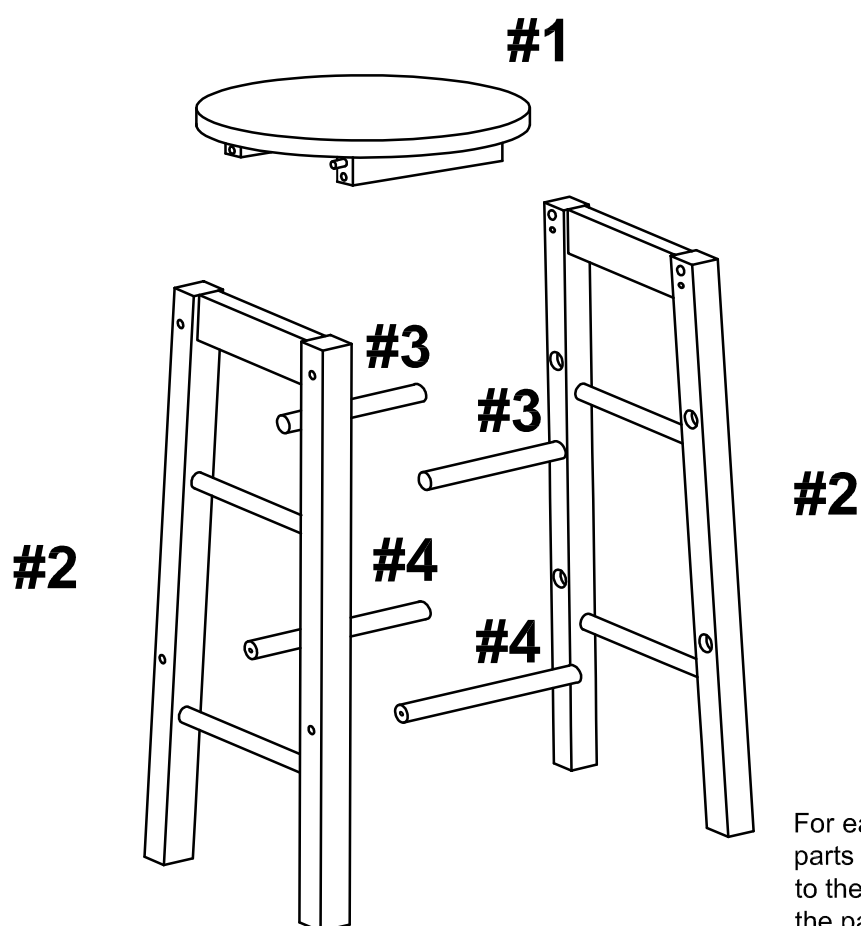
ASSEMBLY INSTRUCTIONS
24" COUNTERSTOOL WITH ROUND SEAT NATURAL



WE ARE HERE TO HELP!

Item Identification

ITEM	DESCRIPTION	QTY
#1	ROUND SEAT	01
#2	LEG FRAME	02
#3	LEG STRETCHER (SHORT)	02
#4	LEG STRETCHER (LONG)	02



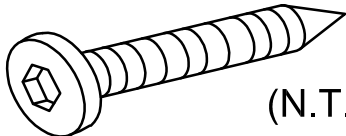
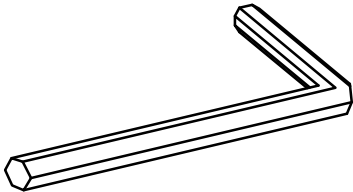
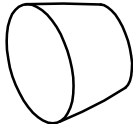
For ease of identification all parts are labeled to correspond to the Step number in which the part is used.

ALL PARTS ARE LABELED WITH STICKERS MATCHING THE PART IDENTIFICATION NUMBERS LISTED IN LEFT COLUMN.

Hardware Package Count

OPEN HARDWARE PACKAGE ON A FLAT SURFACE COVERED WITH NEWSPAPER. COUNT EACH PIECE OF HARDWARE TO MATCH THE QUANTITY NUMBER IN THE HARDWARE LIST COLUMN. CALL CUSTOMER SERVICE IF ANY OF THE PARTS ARE MISSING. FOLLOW THE LETTER IDENTIFICATION WHEN READING THE ASSEMBLY DRAWING " A " THROUGH " C " (NOT TO SCALE N.T.S)

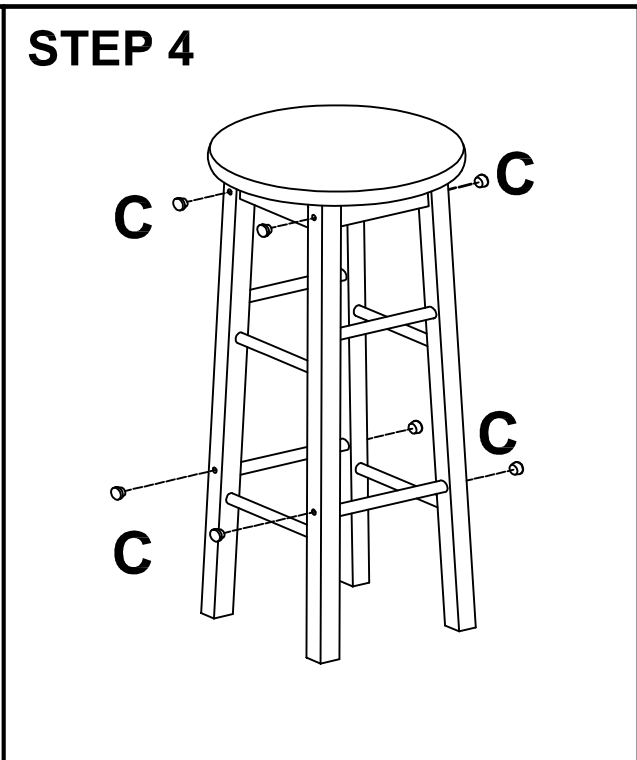
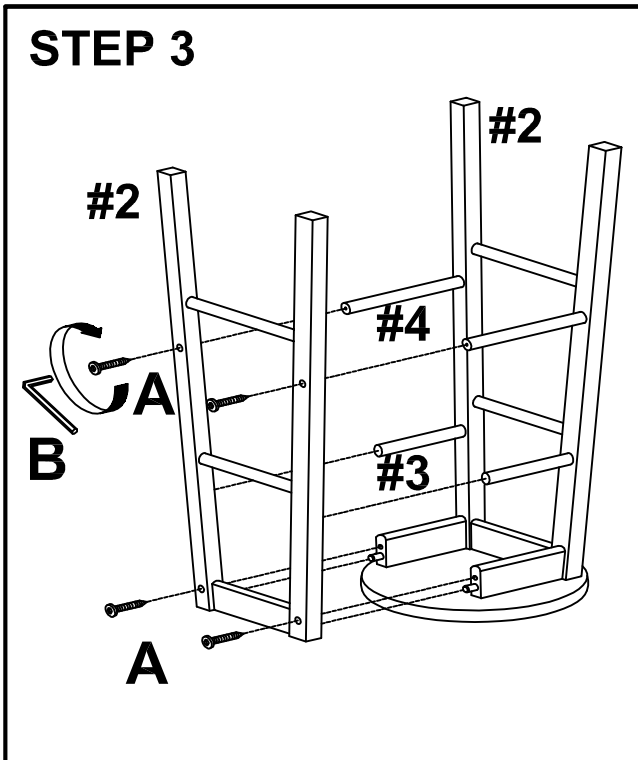
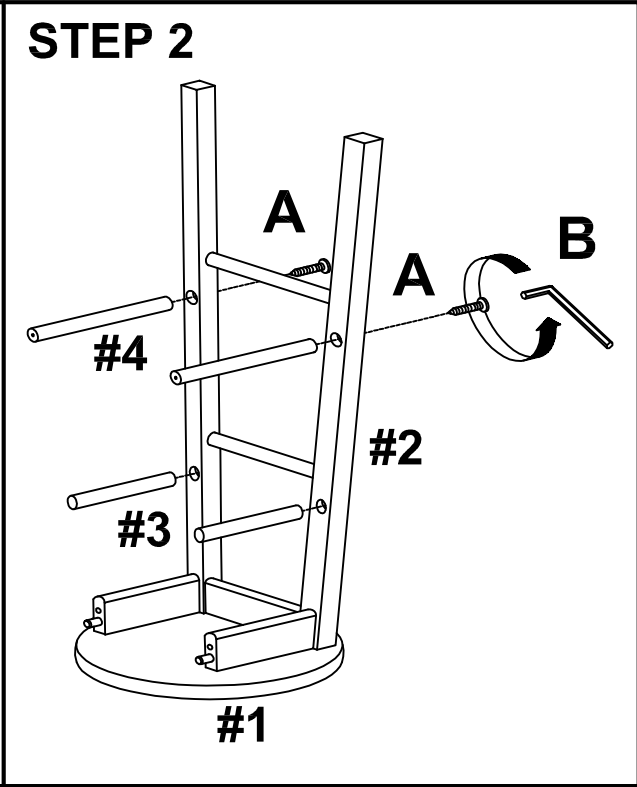
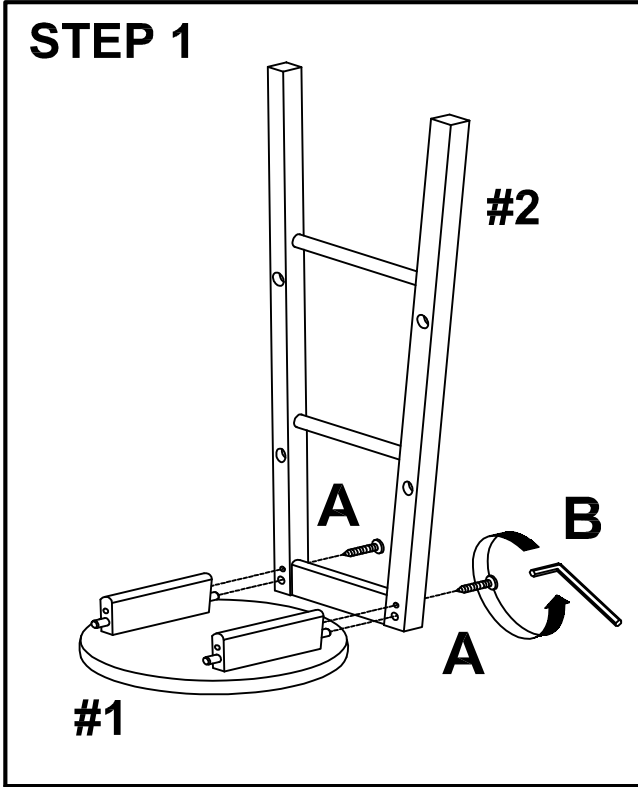
Hardware Identification

ITEM	GRAPHIC	DESCRIPTION	QTY
A	 (N.T.S) Ø 1/4" x L.1-9/16"	WOOD SCREW	08
B	 (N.T.S)	ALLEN KEY	01
C	 (N.T.S)	WOOD PLUG	08

ALL PARTS ARE LABELED WITH STICKERS MATCHING THE PART IDENTIFICATION NUMBERS LISTED IN LEFT COLUMN.

TOOLS REQUIRED

A STANDARD PHILLIPS HEAD SCREWDRIVER (NOT PROVIDED) AND AN ALLEN WRENCH "B" (PROVIDED) ARE REQUIRED TO ASSEMBLE THIS UNIT. USE A PLASTIC HEAD Mallet, NOT PROVIDED, TO TAP IN STRETCHERS OR OTHER COMPONENTS.



LIMITED WARRANTY
WHAT IS COVERED

WHAT IS NOT COVERED

HOW TO OBTAIN SERVICE