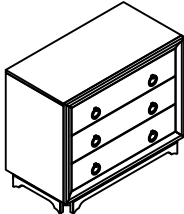

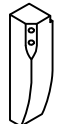
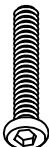

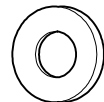

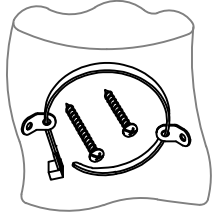
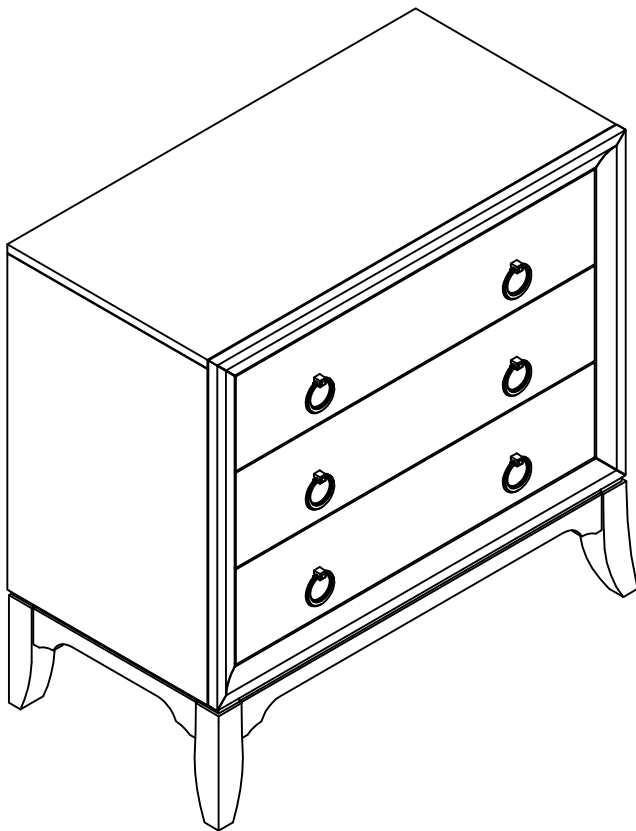


# ASSEMBLY INSTRUCTION

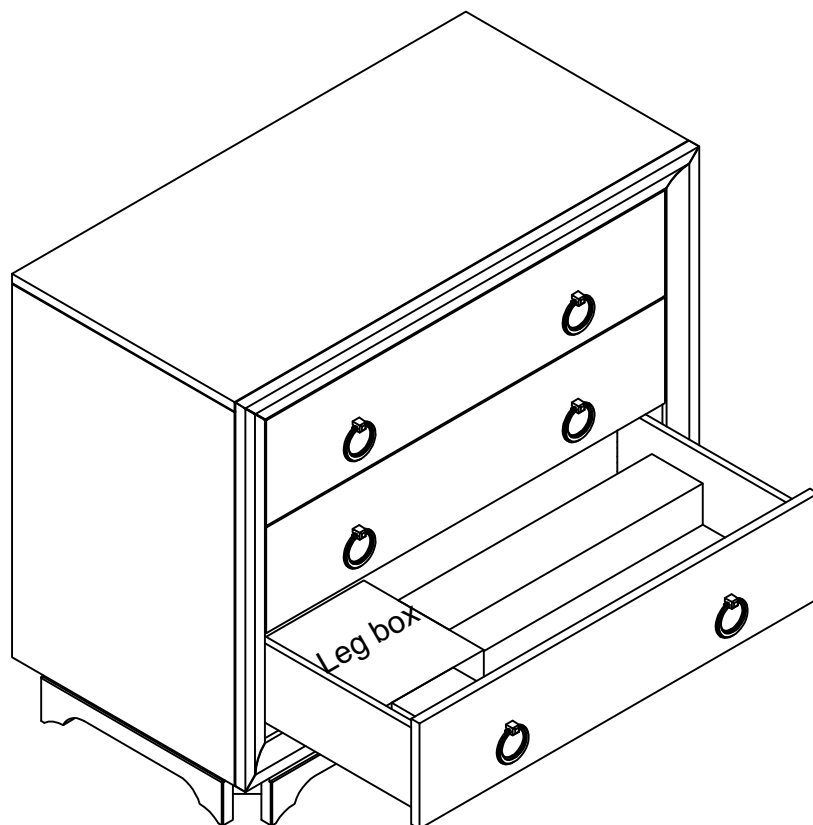
## CHEST WITH 3 RING PULL DRAWERS

|   |  |   |   |
|---|--|---|---|
| <b>A</b><br><br>1PC                         | <b>B</b> Front Leg<br><br>2PCS                | <b>C</b> Back Leg<br><br>2PCS (L/R)        | <b>D</b> Bolt<br>1/4"x50mm<br><br>8PCS |
| <b>E</b> Spring Washer<br>1/4"<br><br>8PCS | <b>F</b> Flat Washer<br>1/4"x19mm<br><br>8PCS | <b>G</b> Allen Wrench<br>4x59mm<br><br>1PC | <b>H</b> Anti-Tipping Kit<br><br>1 SET |

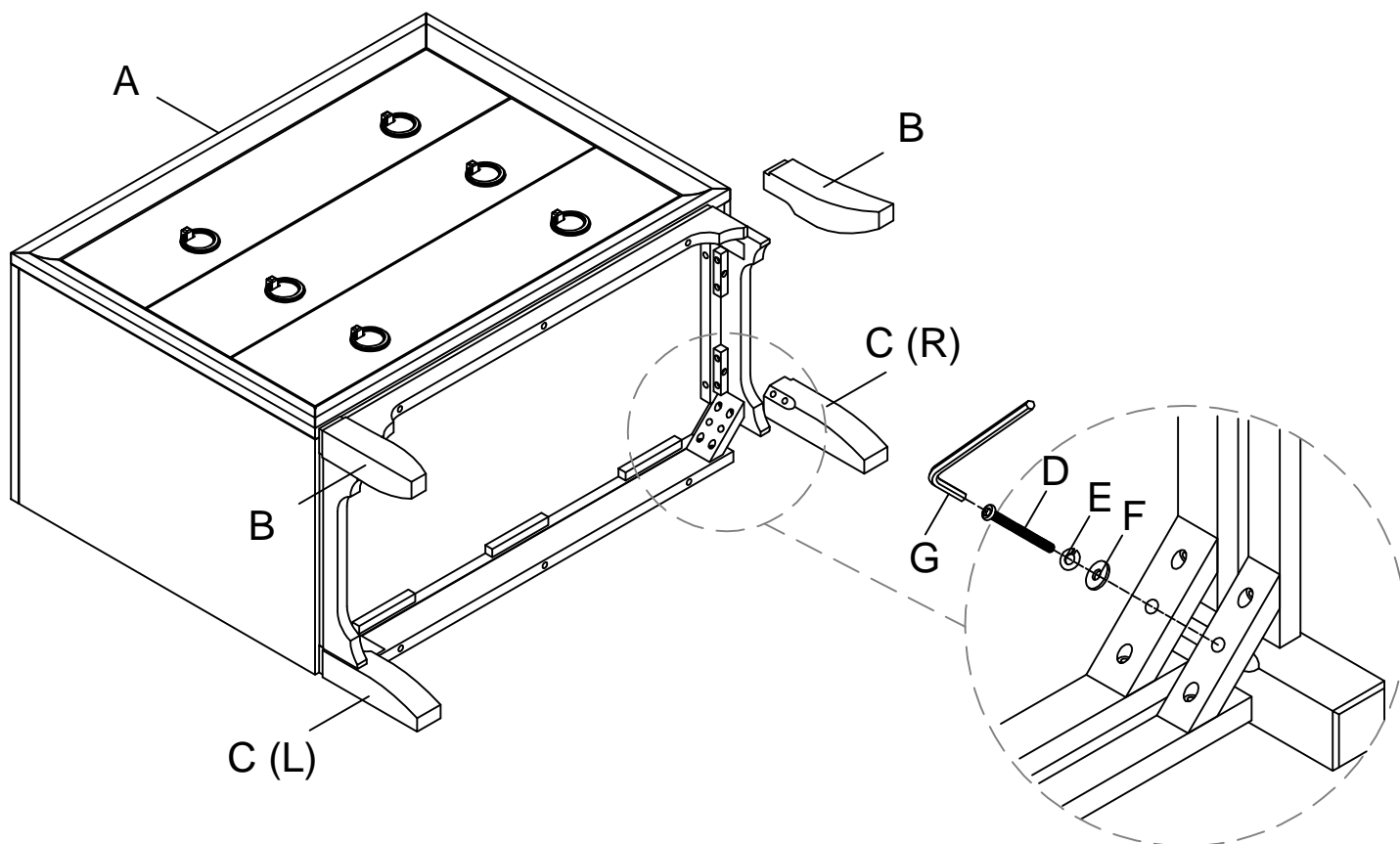


This page lists all the contents included in the box. Please take the time to identify the hardware as well as the individual components to this product. As you unpack and prepare for assembly, place the contents on the carpeted or padded area to protect them from damage.

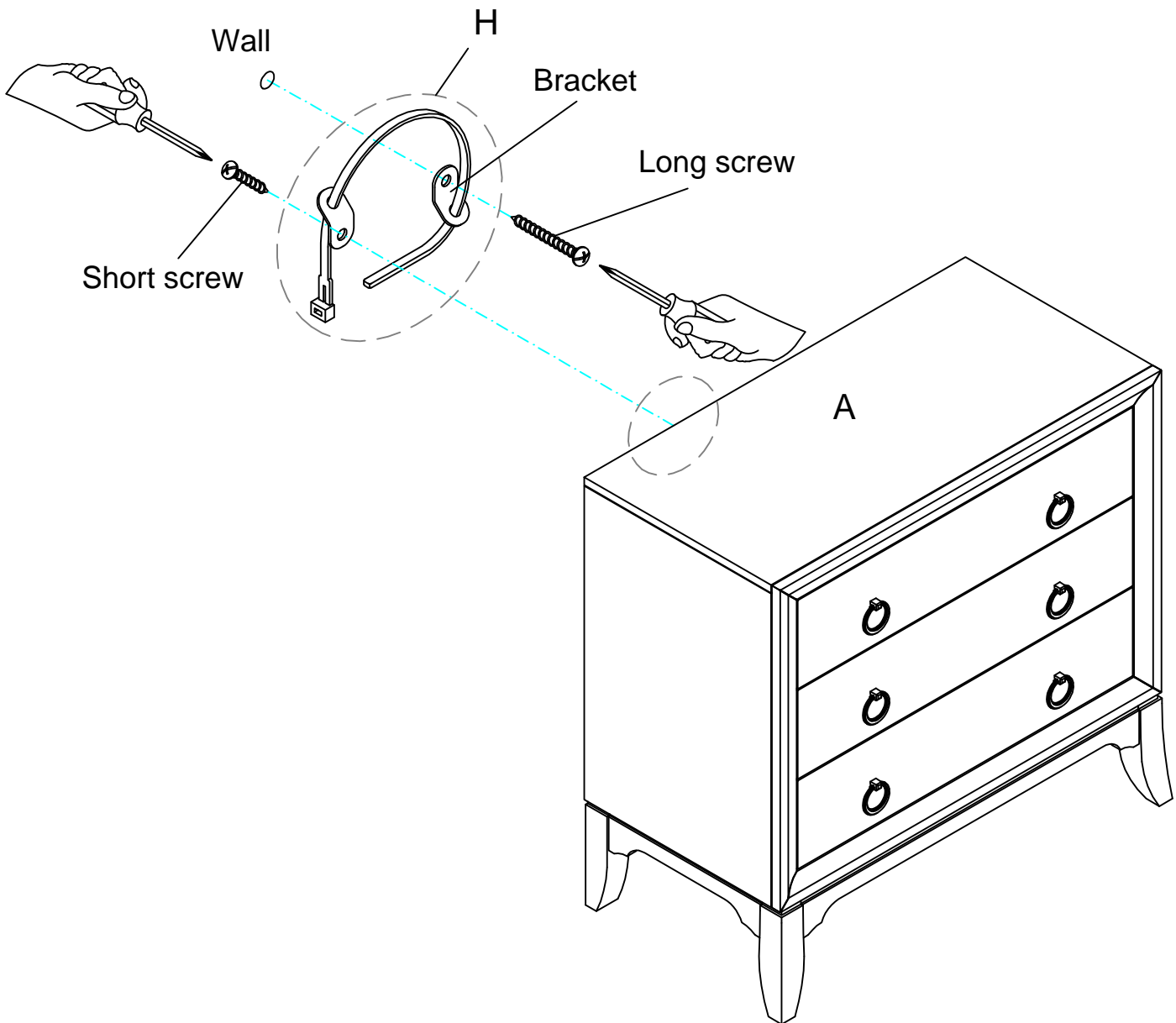
**1** Take out the leg box in the bottom drawer.



**2** Attach Front Leg (B) and Back Leg (C) to the Chest (A) using Bolt (D), Spring Washer (E), Flat Washer (F), then tighten by Allen Wrench (G).



- 3** Attach Anti - Tipping Hardware (H) to wall. Attach bracket (vertically) to wall using long screws provided; Attach bracket (horizontally) to furniture back (directly below top) with short screws provided. Place bracket as close to center of furniture back as possible in relation to wall stud and the desired position in the room; Move furniture to its final position. Thread the strap through bracket, pull it tight.



#### Cleaning & Care

Treat surface with care. Surface is resistant to scratches but is not scratch resistant. Clean surfaces with a dry or damp soft cloth. Do not use abrasive cleaners. Hardware may loosen over time. Periodically check that all connections are tight.