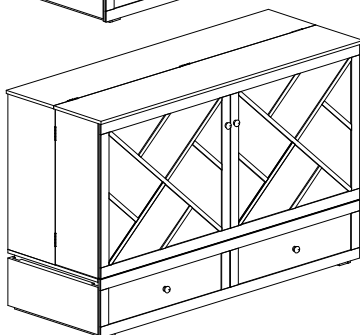
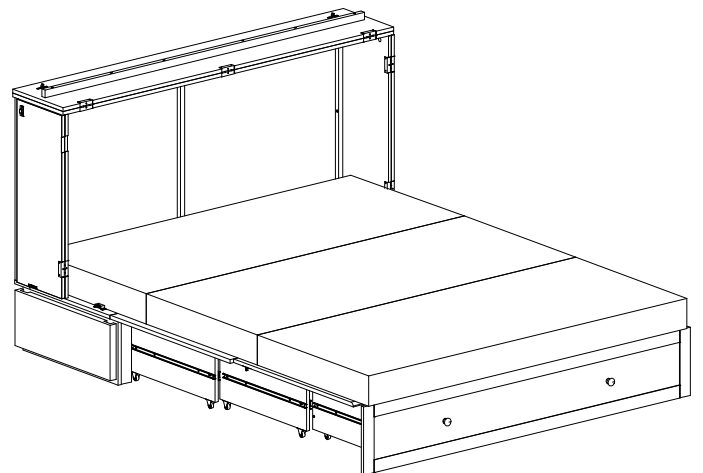
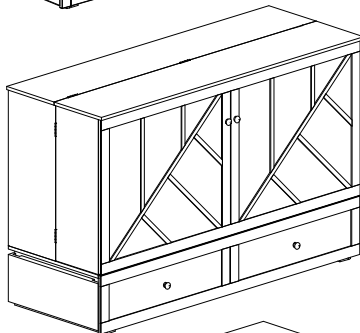
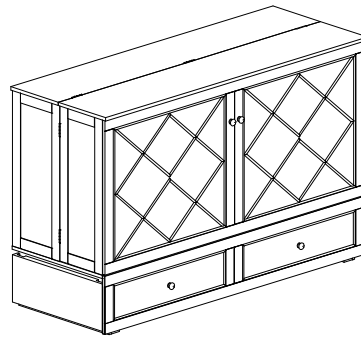
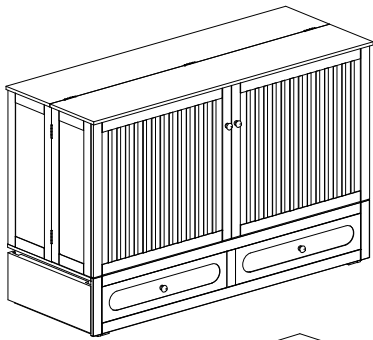
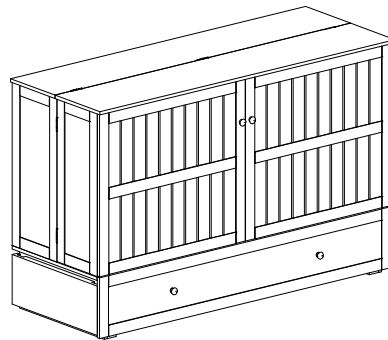
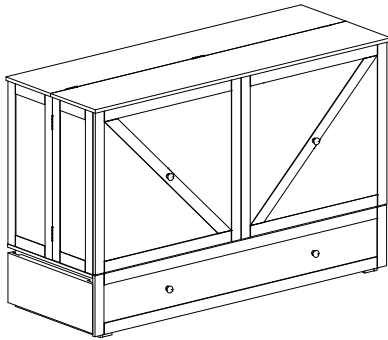
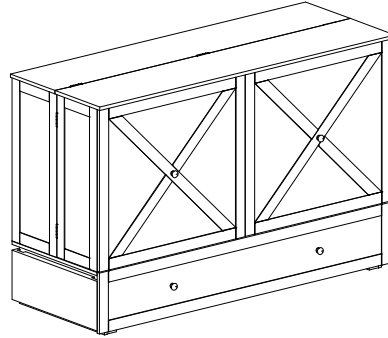
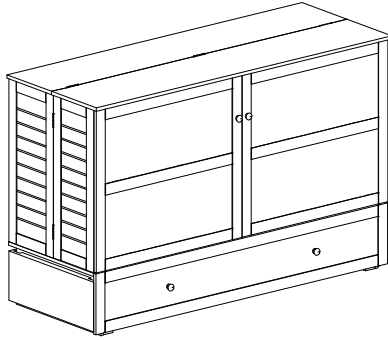


# INSTALLATION GUIDE

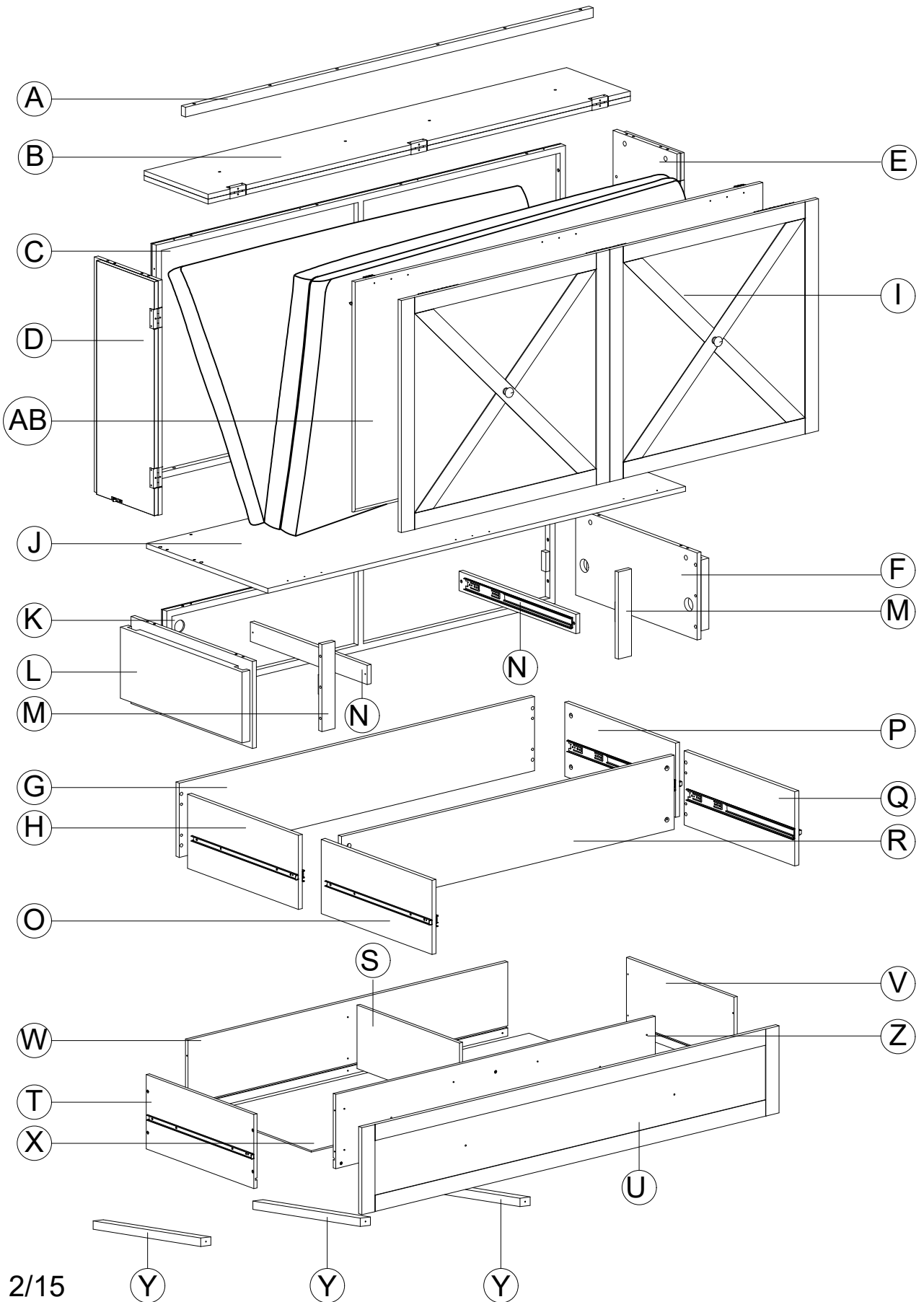


Suggest using electric tools for installation

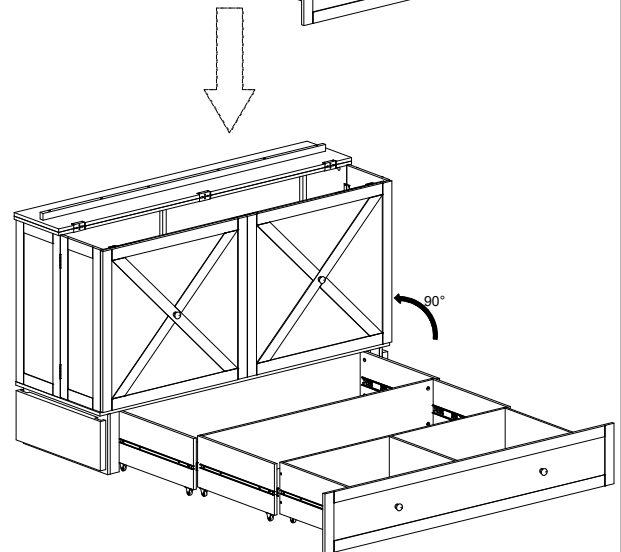
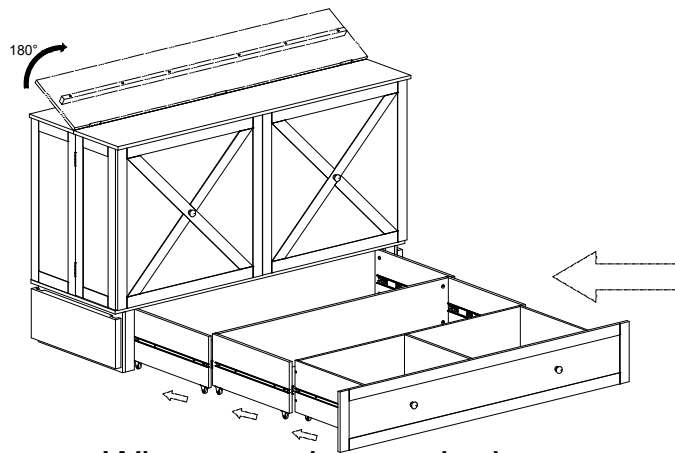
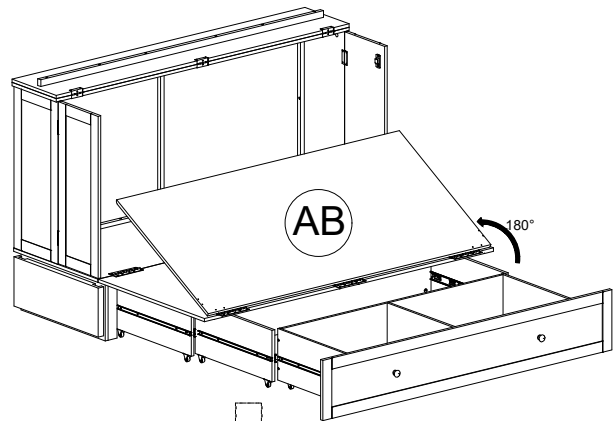
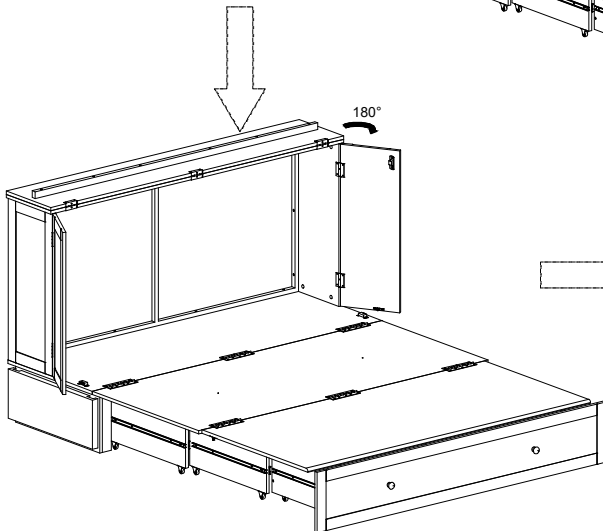
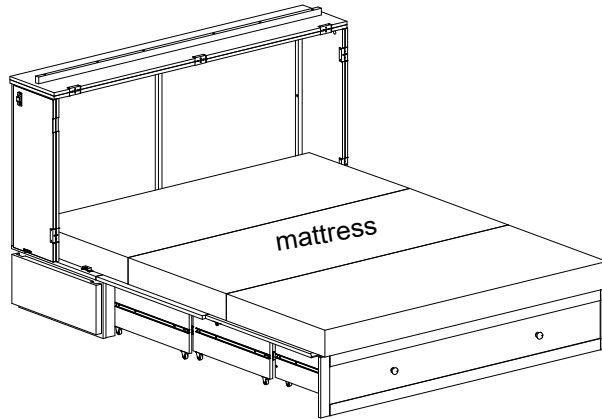
---



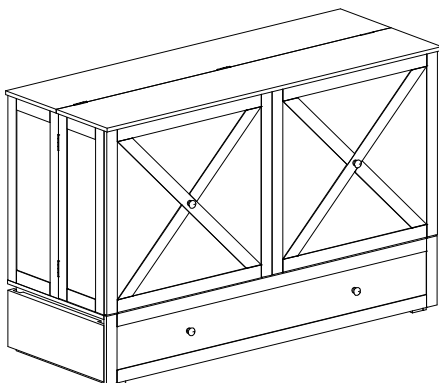
The Red Mark on component J represents the bottom surface




# STEP 22



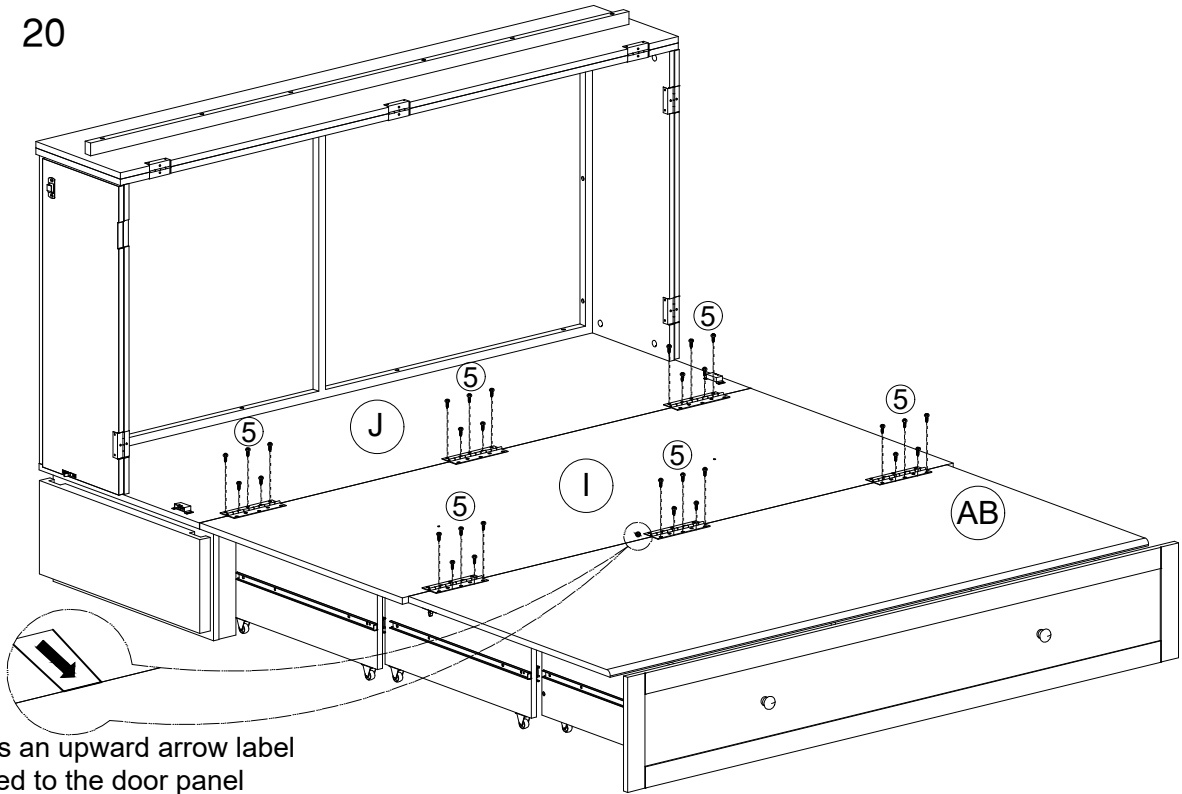
When opening or closing, it is recommended to use both hands to simultaneously push and pull




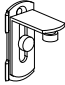
<p>1</p>	<p>2</p>	<p>3</p>
<p>When you feel that the door latch is too tight and inconvenient to use, you can use a screwdriver to adjust it to the appropriate position</p>		<p>4</p>

⑤	 #7 x 3.5x14	30 PCS			
---	--	--------	--	--	--

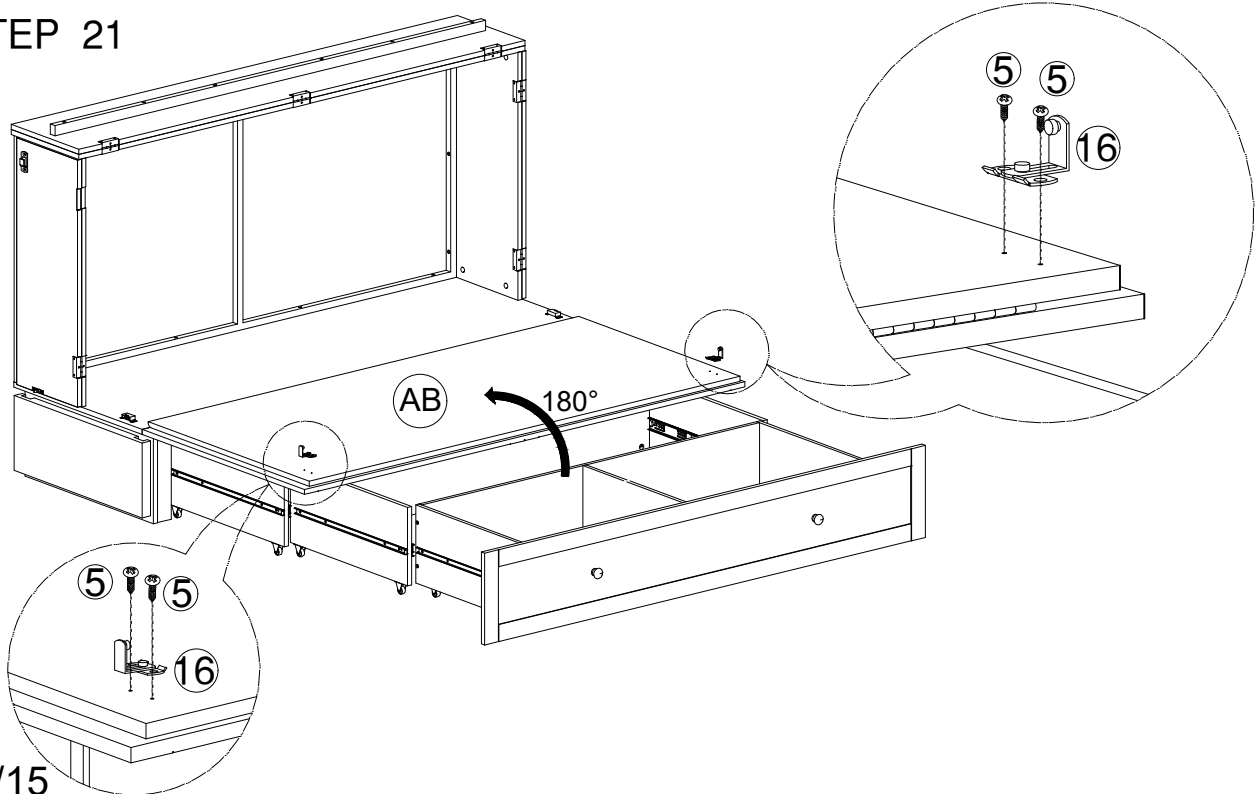
STEP 20



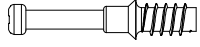

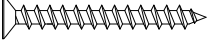





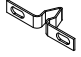
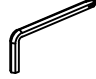
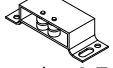
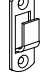

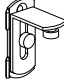


There is an upward arrow label attached to the door panel



⑤	 #7-φ3.5X14	4 PCS	⑩⑥		2 PCS
---	---	-------	----	---	-------

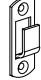
STEP 21

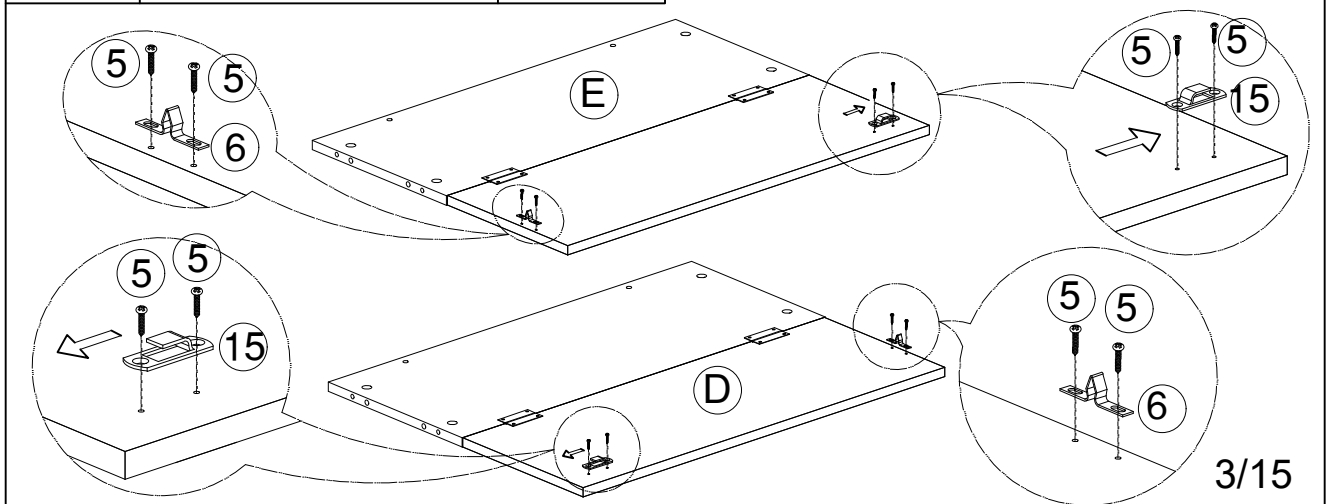


①	 KD Cam	24 PCS	⑨	 M4 X 25mm	2 PCS
②		24 PCS	⑩		4 PCS
③	 #8-Ø4X30	50 PCS	⑪		1 PCS
④	 8 x 30MM	42 PCS	⑫		14 PCS
⑤	 #7-Ø3.5X14	76 PCS	⑬	 #8-Ø4X20	8 PCS
⑥	 Accessories 6-7, separate during installation	2 PCS	⑭		1 PCS
⑦	 Accessories 6-7, separate during installation	2 PCS	⑮		2 PCS
⑧	 M4 X 30mm	2 PCS	⑯		2 PCS

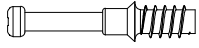
installation procedure

⑤	 #7-Ø3.5X14	8 PCS	⑥		2 PCS
---	---	-------	---	---	-------

⑮		2 PCS	STEP 1		
---	---	-------	--------	--	--



②

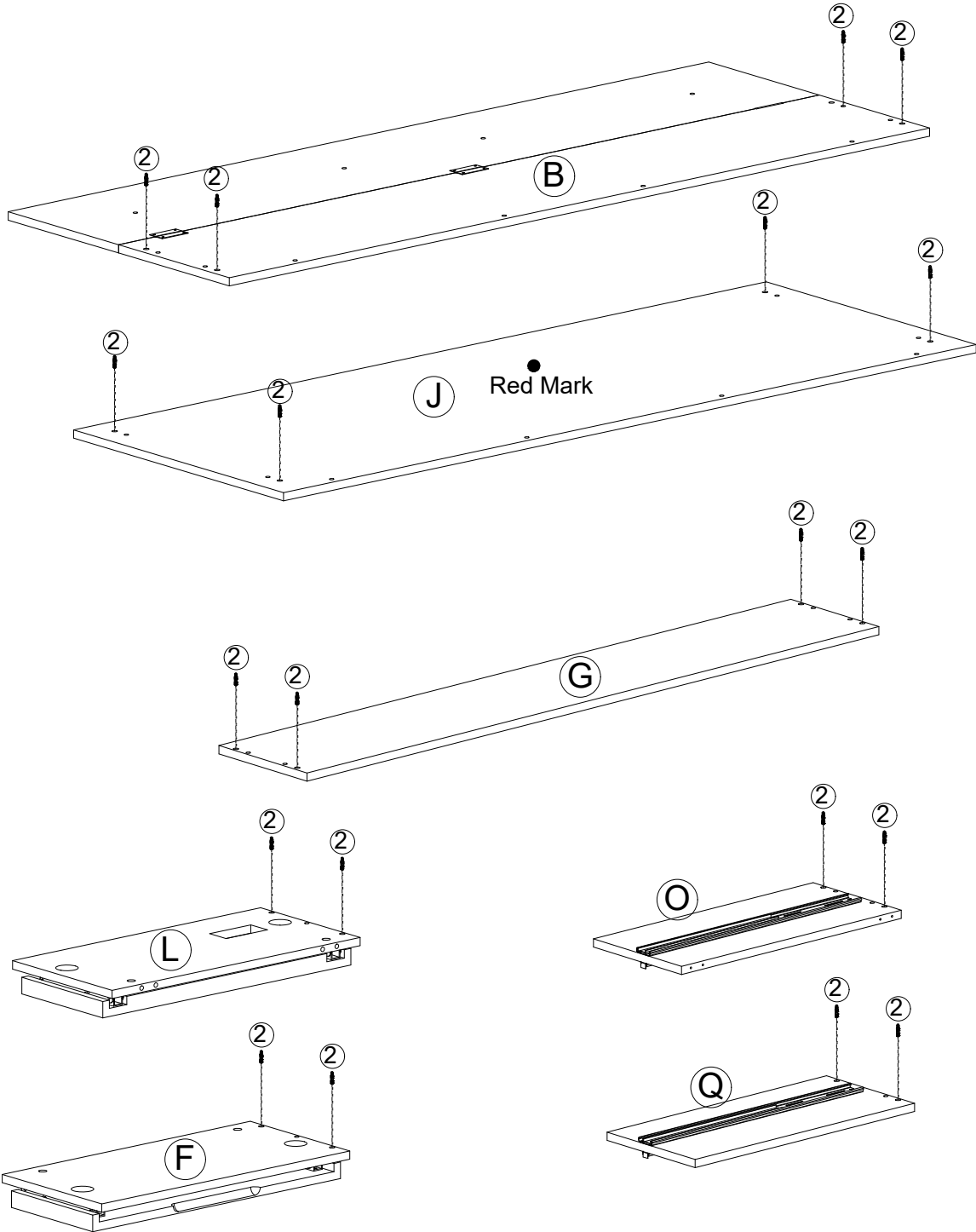


20 PCS

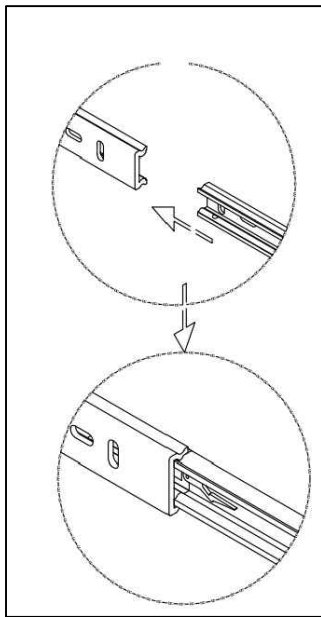
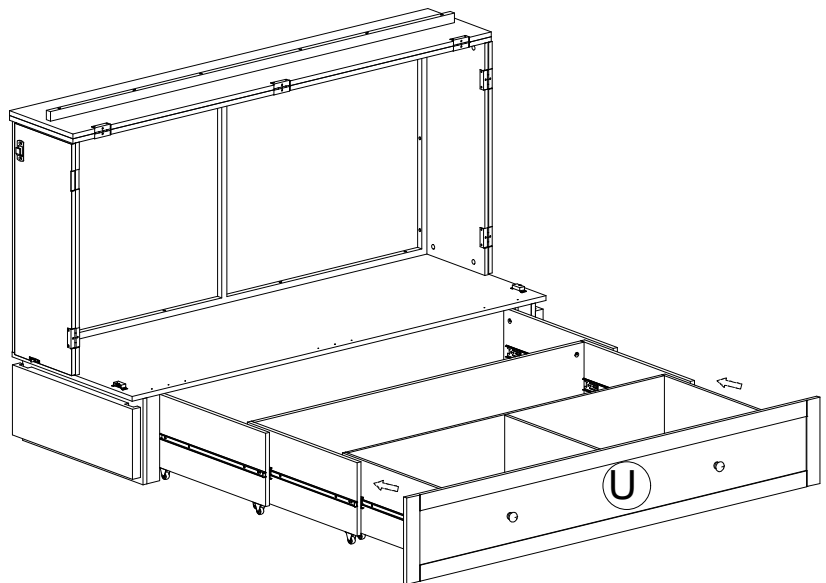
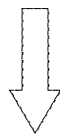
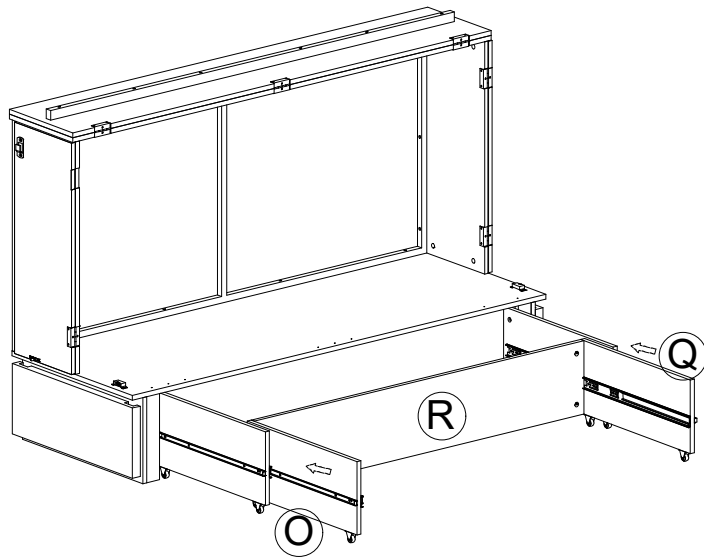
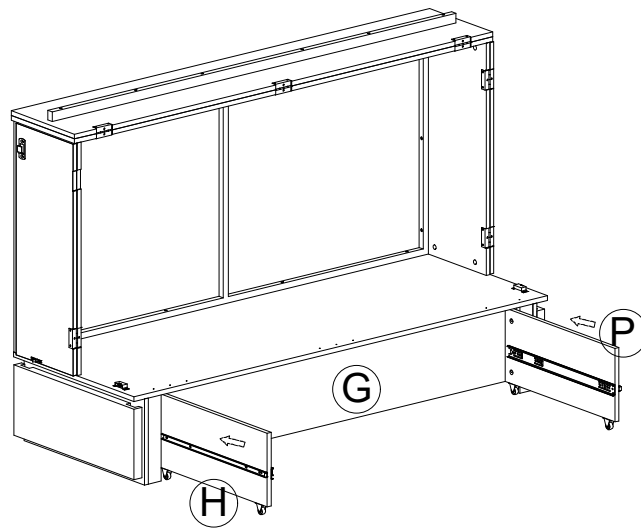
STEP 2


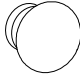


Suggest using electric tools for installation

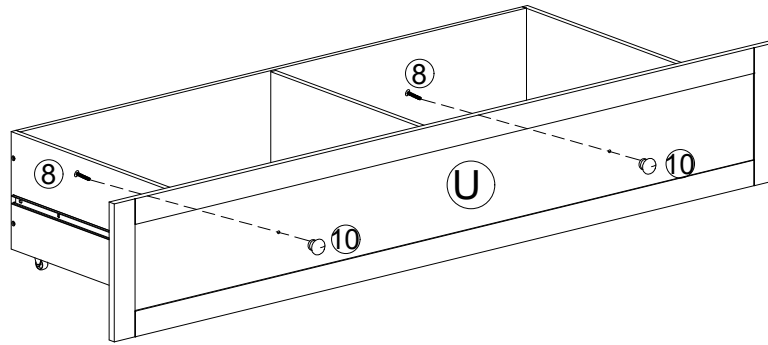


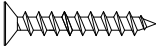
# STEP 19



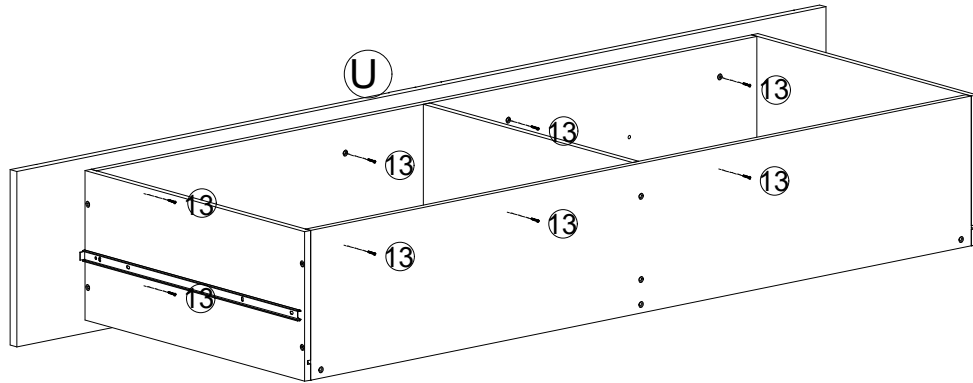
⑧	 M4 X 30mm	2 PCS	⑩		2 PCS
---	--	-------	---	---	-------


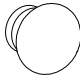
STEP 16



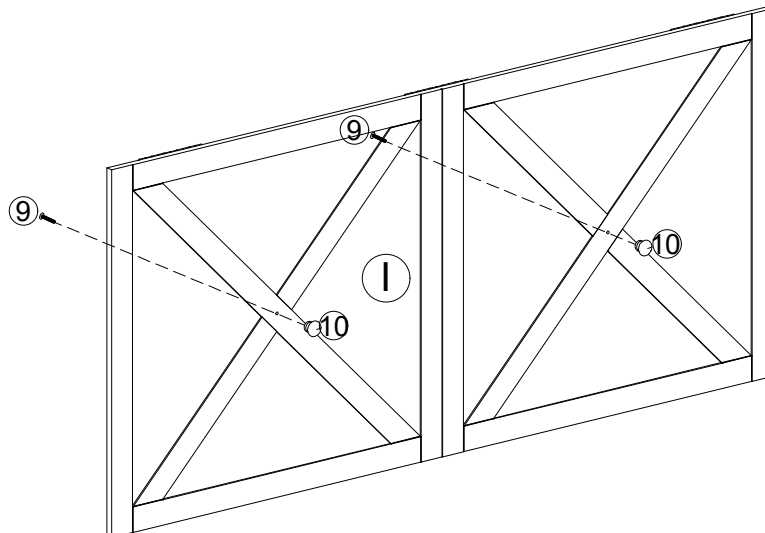
⑬	 #8-Ø4X20	8 PCS			
---	---	-------	--	--	--



STEP 17



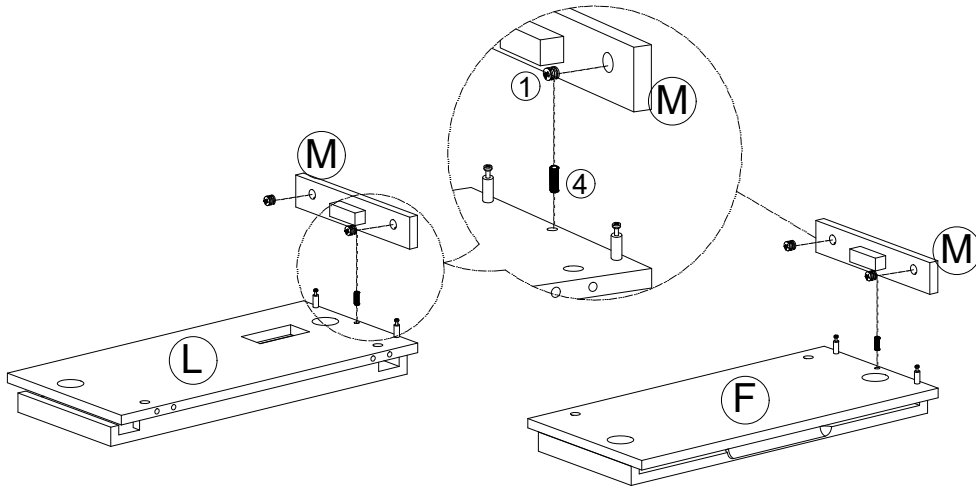
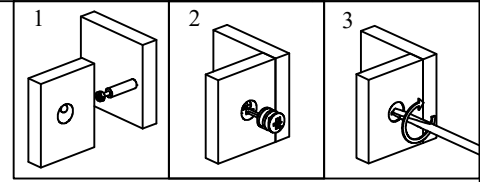
⑨	 M4 X 25mm	2 PCS	⑩		2 PCS
---	--	-------	---	---	-------



STEP 18



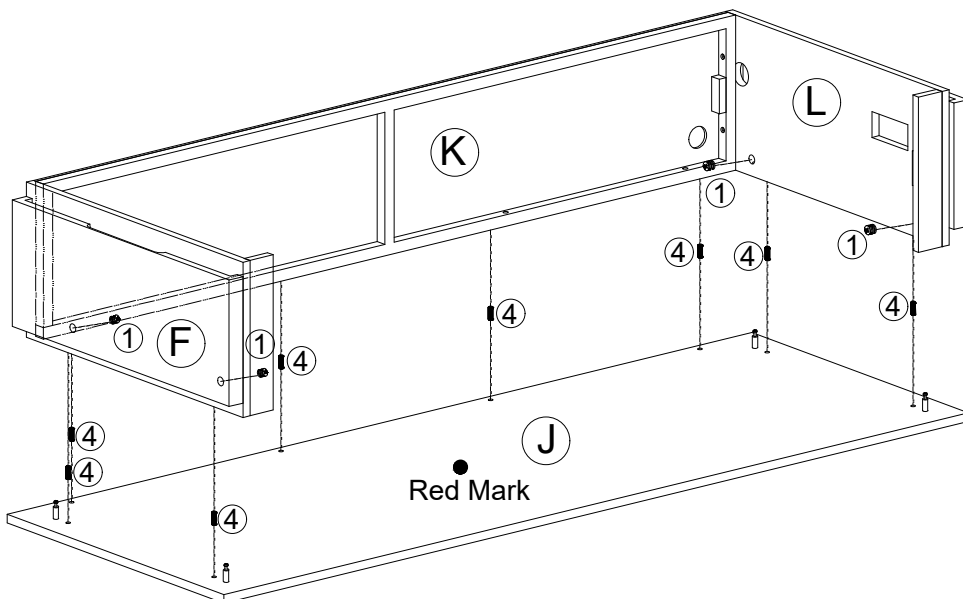
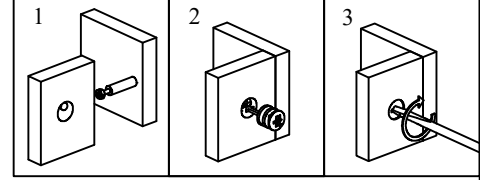
①	 KD Cam	4 PCS	④	 8 x 30MM	2 PCS
---	---	-------	---	---	-------


STEP 3



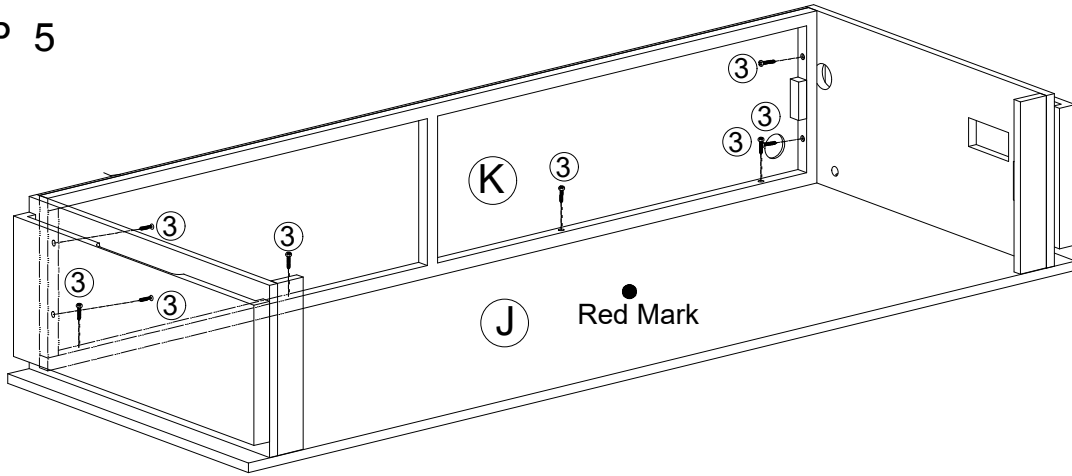
①	 KD Cam	4 PCS	④	 8 x 30MM	8 PCS
---	---	-------	---	---	-------

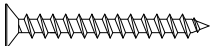
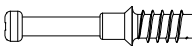
STEP 4



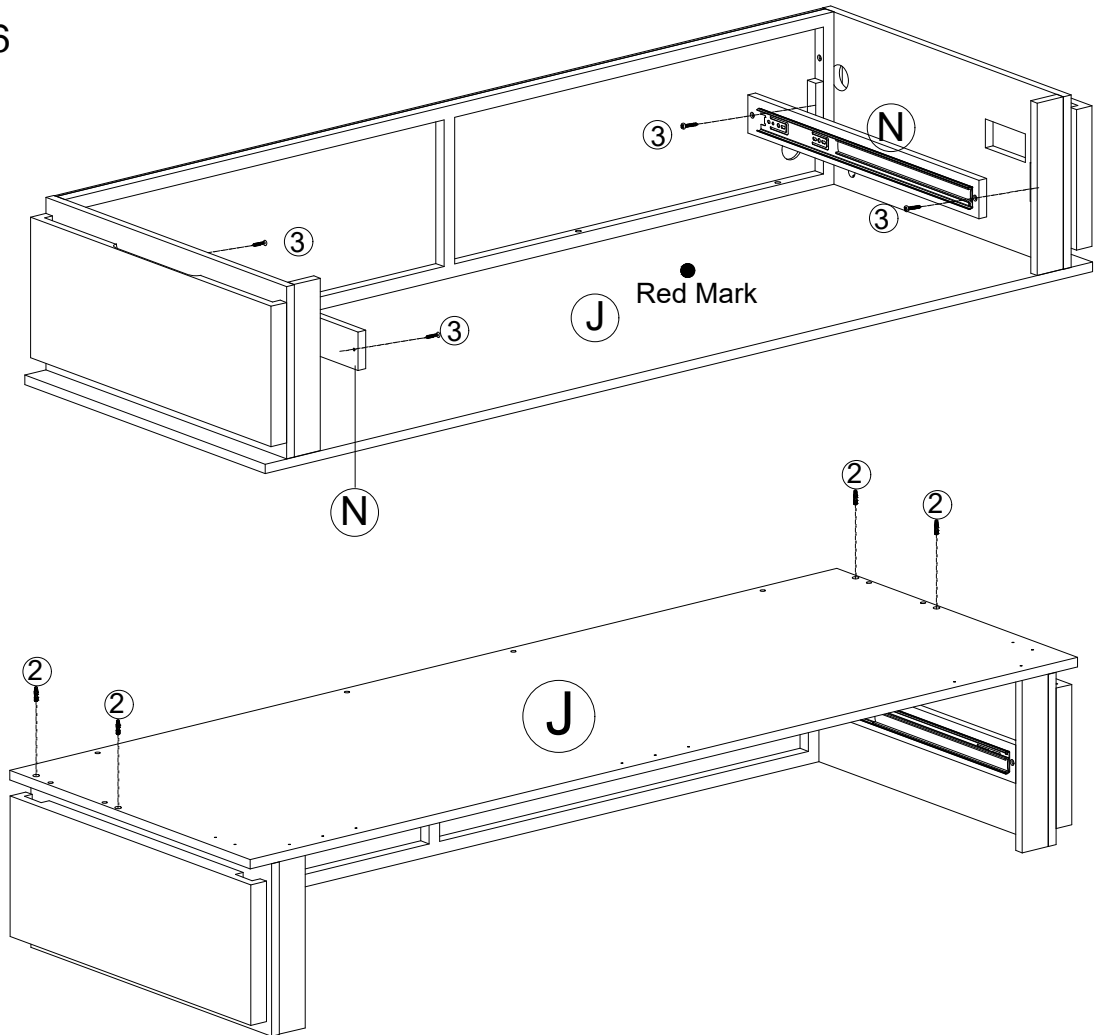
③	 #8-Ø4X30	8 PCS		
---	---	-------	--	--

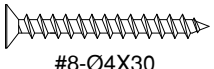

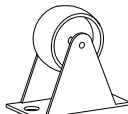
STEP 5



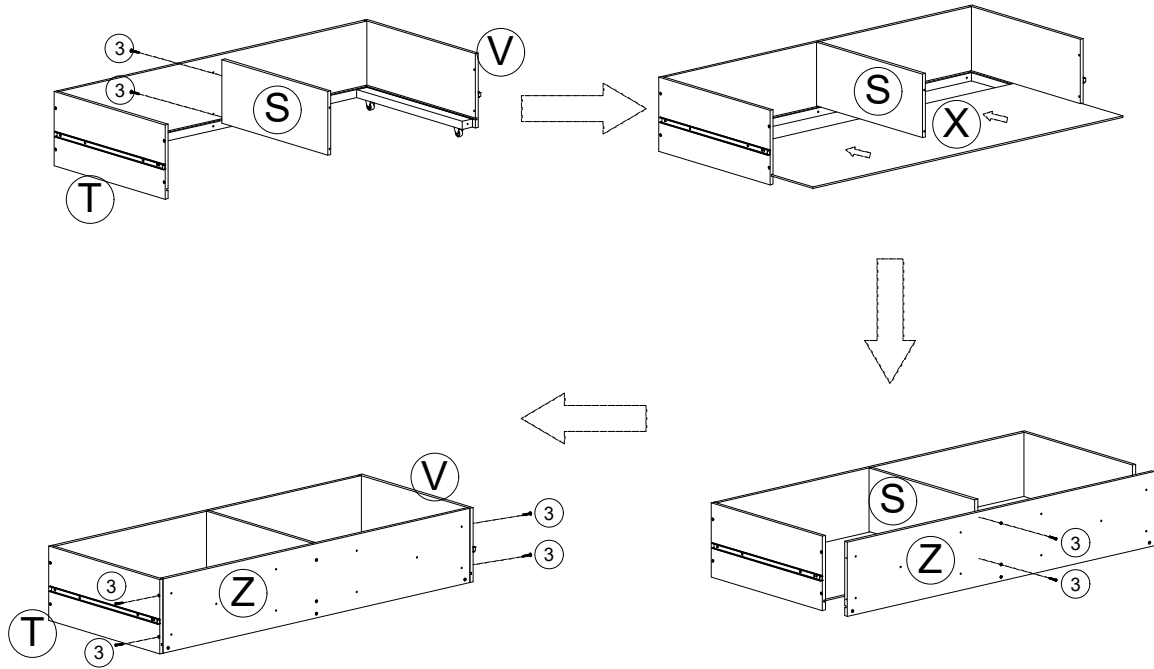
③	 #8-Ø4X30	4 PCS	②		4 PCS
---	---	-------	---	---	-------

STEP 6

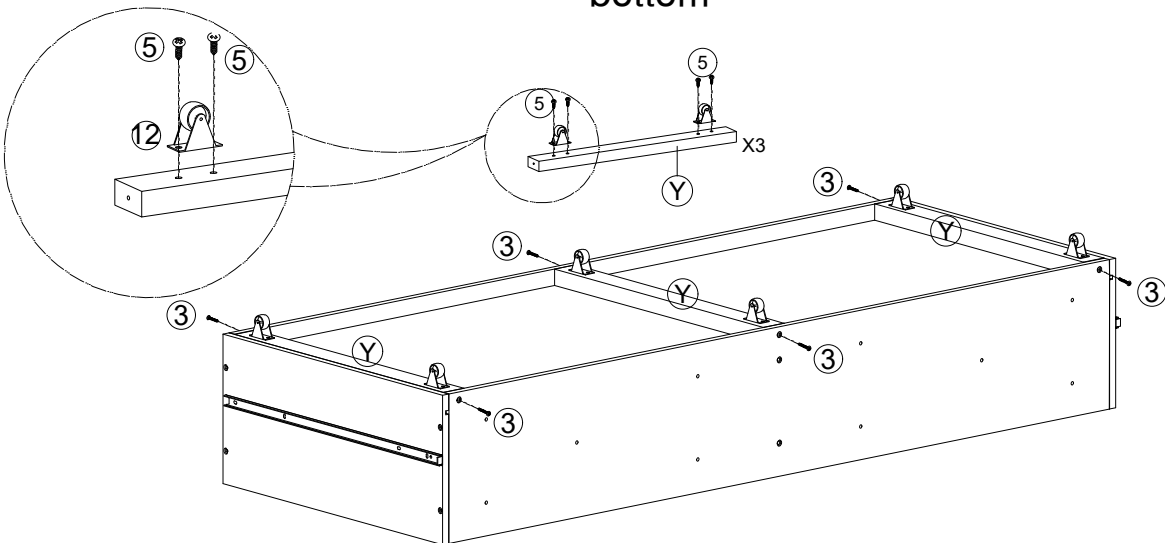




③	 #8-Ø4X30	14 PCS	⑤	 #7 x 3.5x14	12 PCS
⑫		6 PCS			

**STEP 15**

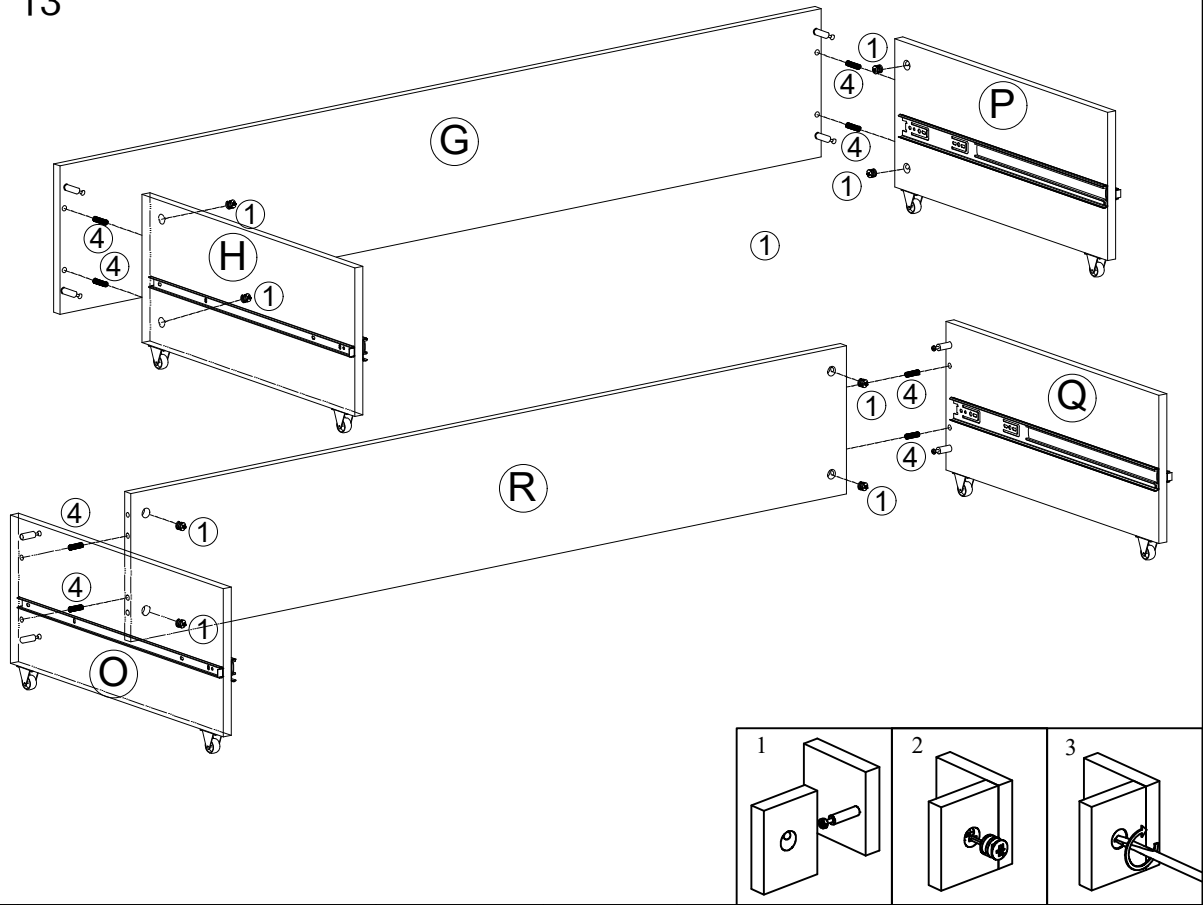


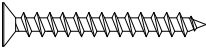
Flip the drawer over and install the Y component and casters at the bottom



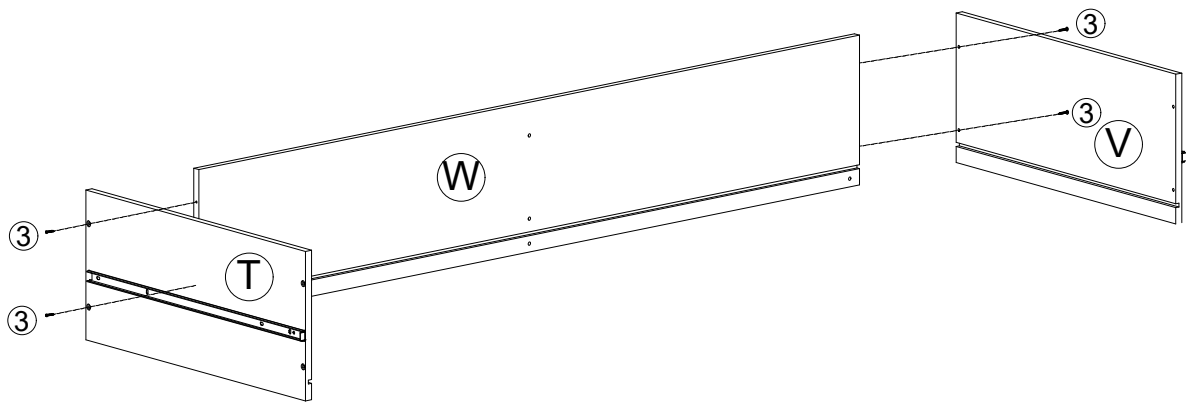
①	 KD Cam	8 PCS	④	 8 x 30MM	8 PCS
---	---	-------	---	---	-------


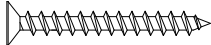
STEP 13



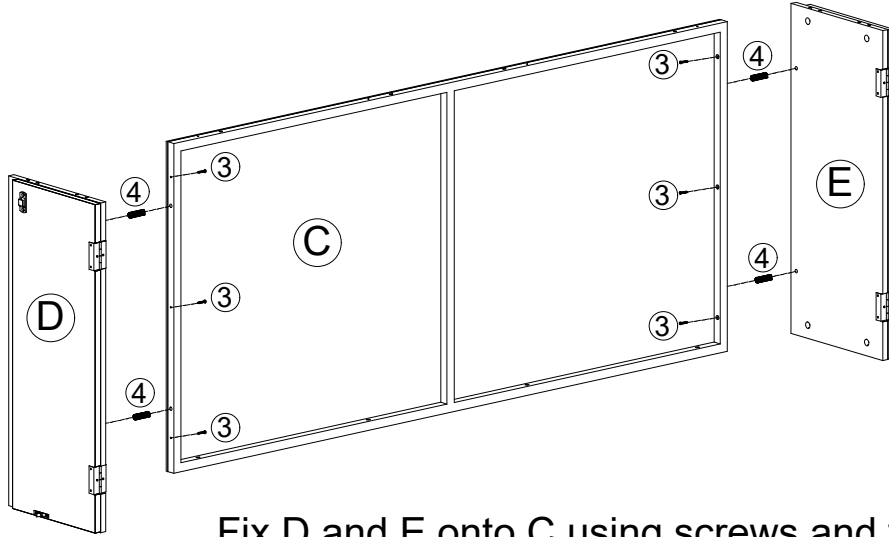
③	 #8-Ø4X30	4 PCS			
---	---	-------	--	--	--

STEP 14





④	 8 x 30MM	4 PCS	③	 #8-Ø4X30	6 PCS
---	---	-------	---	--	-------

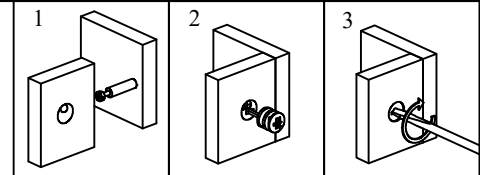
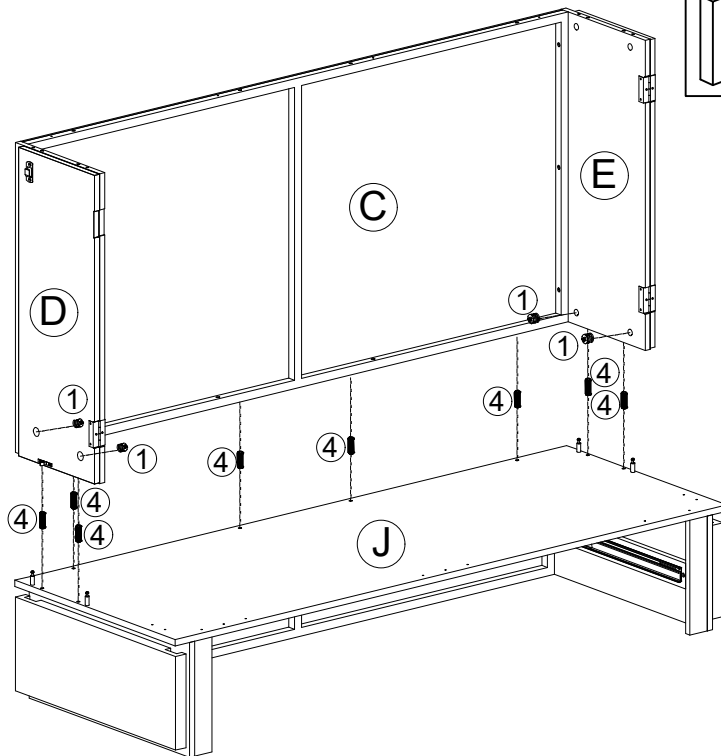
STEP 7





Fix D and E onto C using screws and wood chips

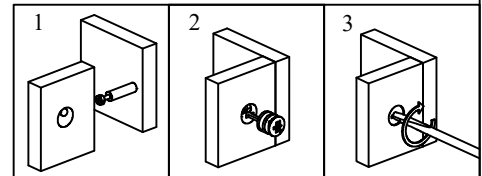
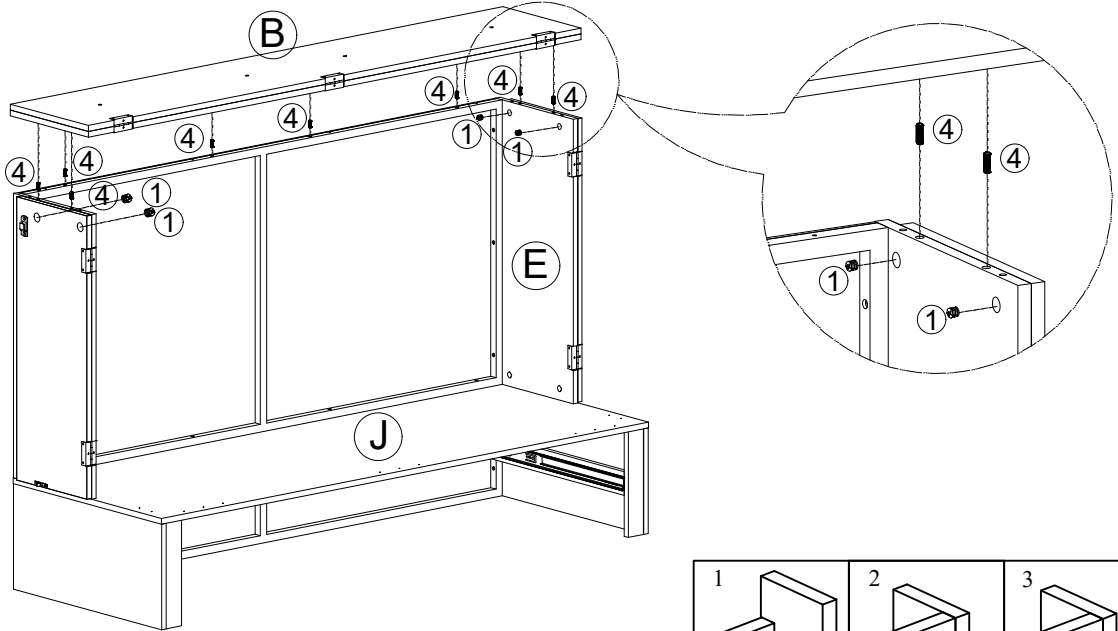
①	 KD Cam	4 PCS	④	 8 x 30MM	8 PCS
---	---	-------	---	---	-------


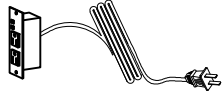
STEP 8

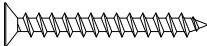


①	 KD Cam	4 PCS	④	 8 x 30MM	8 PCS
---	---	-------	---	---	-------

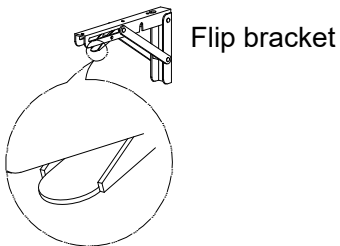
### STEP 9



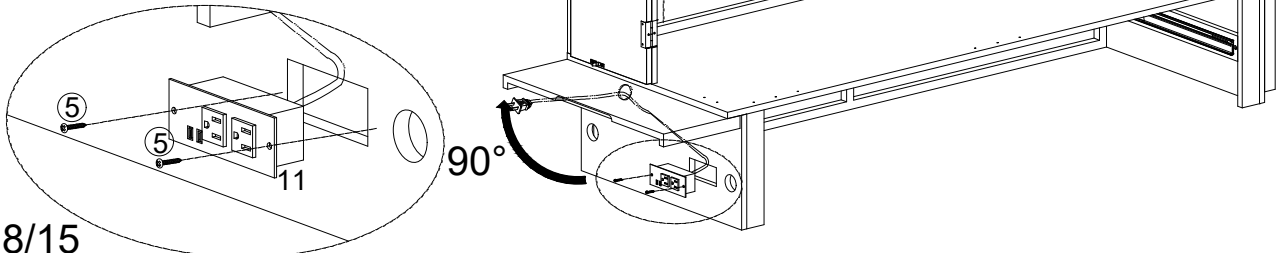
⑤	 #7 x 3.5x14	2 PCS	⑪	 1 PCS	
---	--	-------	---	--	--


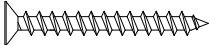
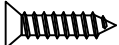
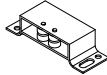
③	 #8-Ø4X30	8 PCS			
---	---	-------	--	--	--

### STEP 10

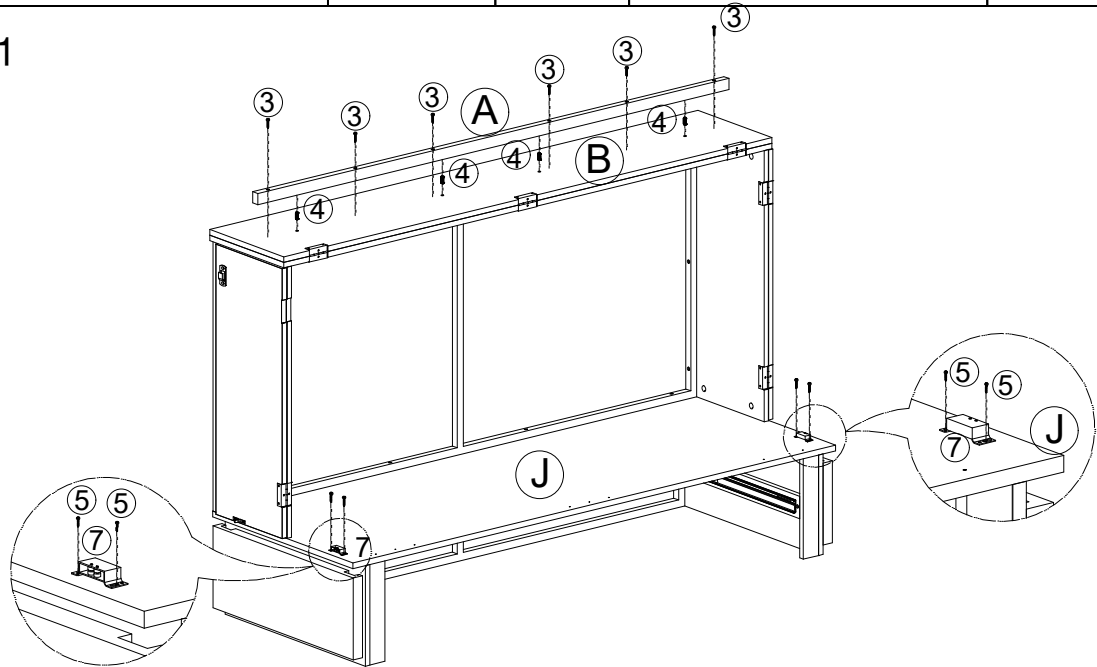



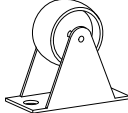
When opening the flip board, lift the movable flip board with both hands.  
 When closing the flip board, hold down the part shown in the diagram with both hands and press down to close it



④	 8 x 30MM	4 PCS	③	 #8-Ø4X30	6 PCS
⑤	 #7-Ø3.5X14	4 PCS	⑦		2 PCS

STEP 11



⑤	 #7 x 3.5x14	16 PCS	⑫		8 PCS
---	--	--------	---	---	-------

STEP 12

