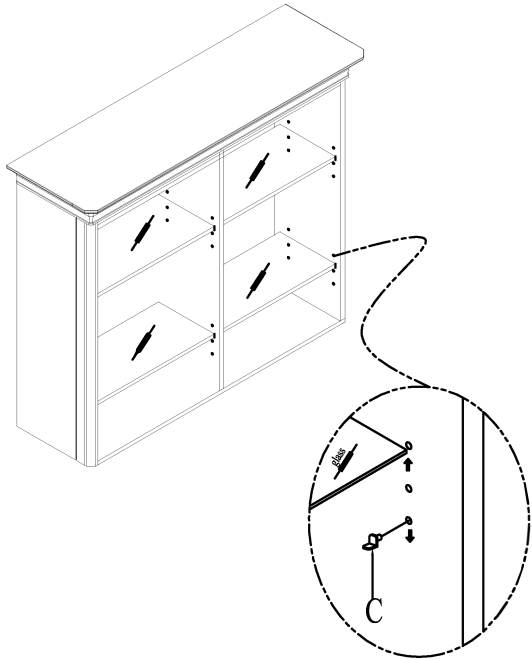


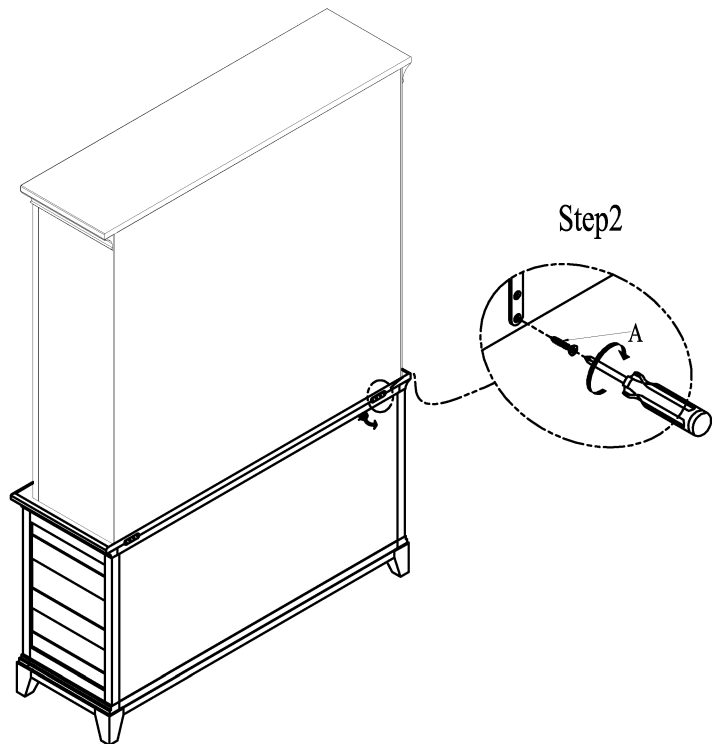
ASSEMBLY INSTRUCTION

IMPORTANT NOTES :



- . Place all wooden parts on a clean and smooth surface such as a rug or carpet to prevent the parts from being scratched.
- . Check to be sure that you have all parts and hardware.
- . Remove all wrapping materials, including staples and packing straps before you start to assemble.
- . Do not tighten all screws and bolts until completely assembled.
- . Keep all hardware out of the reach of children.



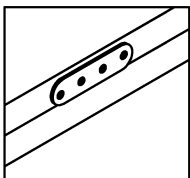
Step1



Step2

CODE	DESCRIPTION	QTY
A	Screw #4*15mm 	6pcs
C	 SHELF SUPPORT 28x13x16mmL	16pcs

a.



b.

