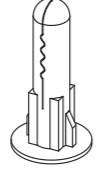

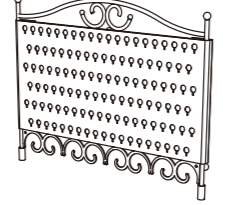
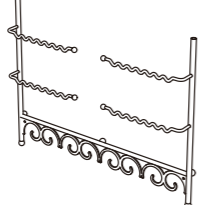
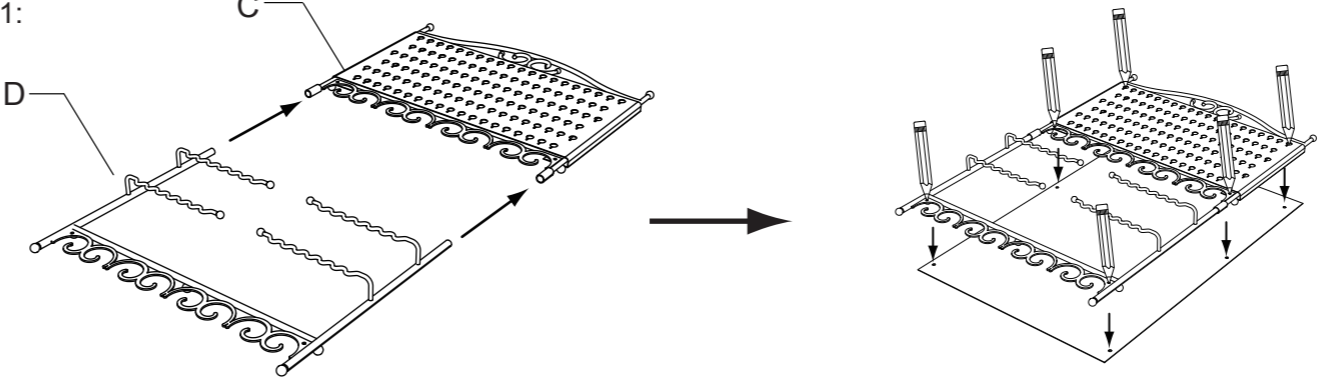
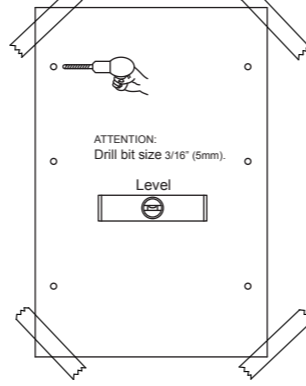
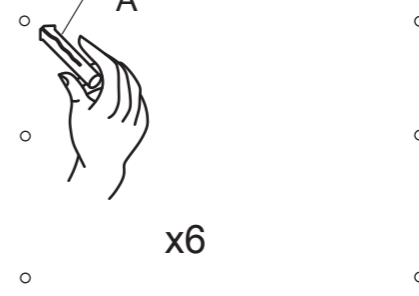
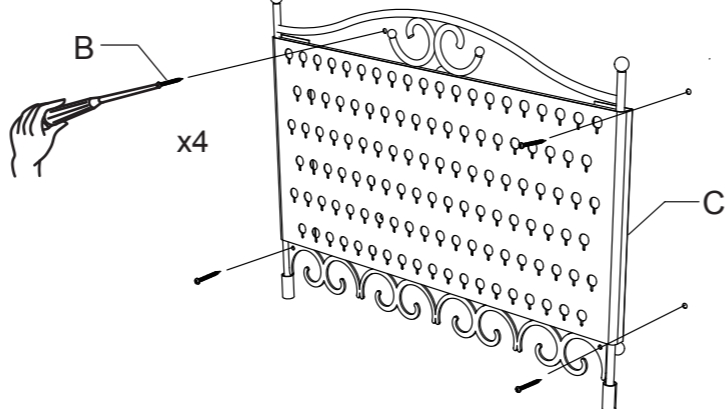
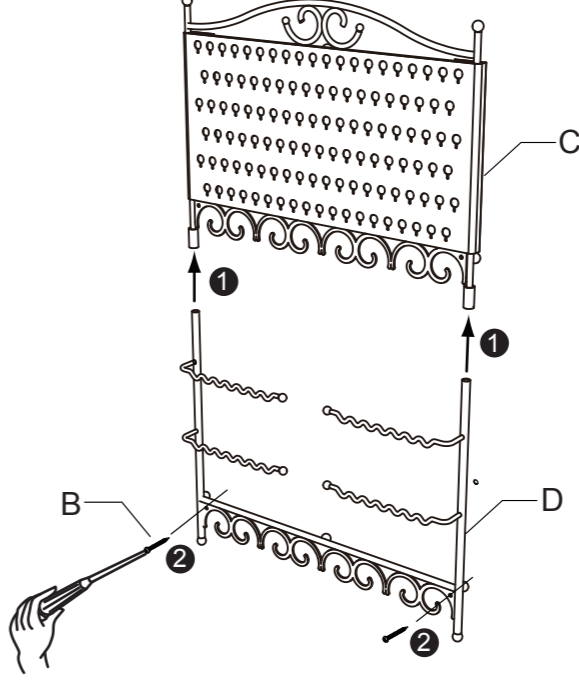


## Slim Profile Wall-Mounted Jewelry Organizer Template & Installation Instructions

Parts List:			
Part No.	Quantity		
A	 x6		
B	 x6		
C	 x1		
D	 x1		
		<p><b>Step 1:</b></p>  <ul style="list-style-type: none"> <li>• Insert top prongs of the Lower Organizer (D) into bottom tubes of Upper Organizer (C).</li> <li>• Place template on a flat surface and lay organizer on top of the template.</li> <li>• Mark the location of the organizer's 6 screw holes onto the template.</li> </ul>	
		<p><b>Step 2:</b></p>  <ul style="list-style-type: none"> <li>• Tape the template sheet to the wall in the desired location and confirm it is centered and level.</li> <li>• Drill 3/16" (5mm) holes in the center of each marking on the template.</li> </ul> <p><small>Note: For solid walls, drill hole to a minimum depth of 1" (or 25.4mm).</small></p>	
		<p><b>Step 3:</b></p>  <ul style="list-style-type: none"> <li>• Remove the template sheet.</li> <li>• Insert Wall Anchors (A) and tap flush.</li> </ul>	
		<p><b>Step 4:</b></p>  <ul style="list-style-type: none"> <li>• Using a Phillips head screwdriver, screw Mounting Screws (B) through the mounting holes of the Upper Organizer (C) into the uppermost Wall Anchors (A).</li> </ul> <p><small>Note: The two topmost screw holes are accessed through earring holes.</small></p>	
		<p><b>Step 5:</b></p>  <ul style="list-style-type: none"> <li>• Connect the Lower Organizer onto the Upper Organizer by inserting the top prongs of the Lower Organizer (D) into bottom tubes of Upper Organizer (C).</li> <li>• Using a Phillips head screwdriver, screw Mounting Screws (B) through the mounting holes of the Lower Organizer (D) into the Wall Anchors (A).</li> </ul>	