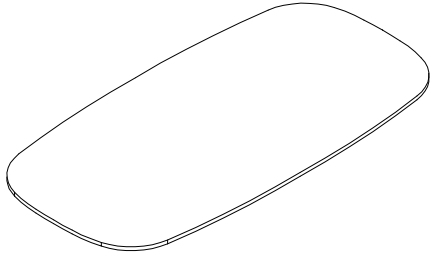




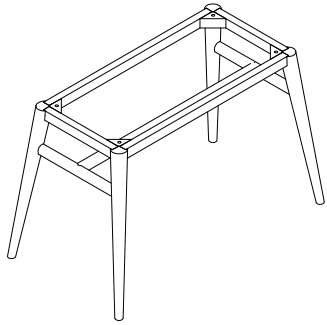
THEODORE ALEXANDER

# WRC51009 ASSEMBLY INSTRUCTION

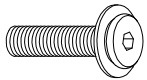
**P1** Top (x1pc)



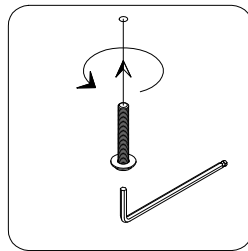
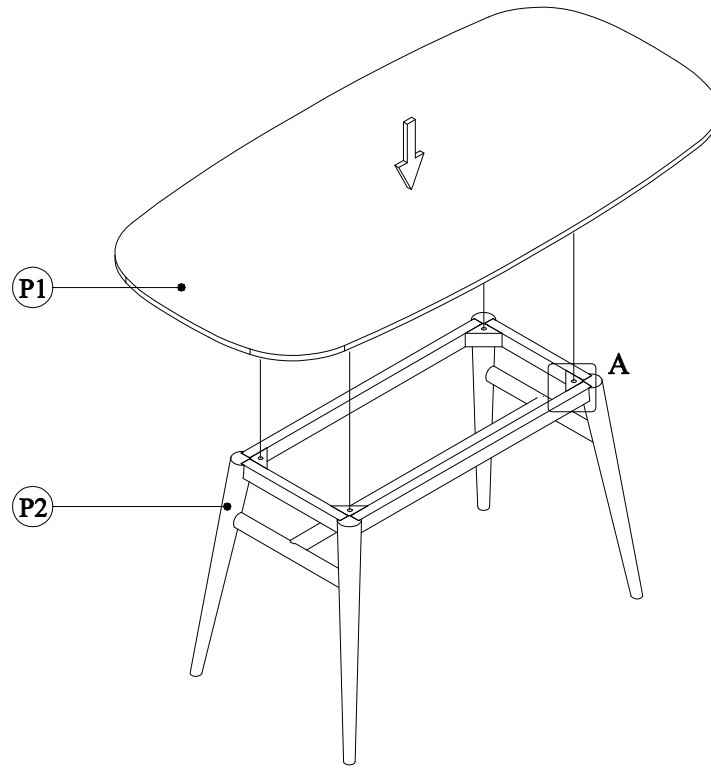
**P2** Base (x1pc)



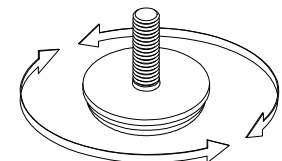
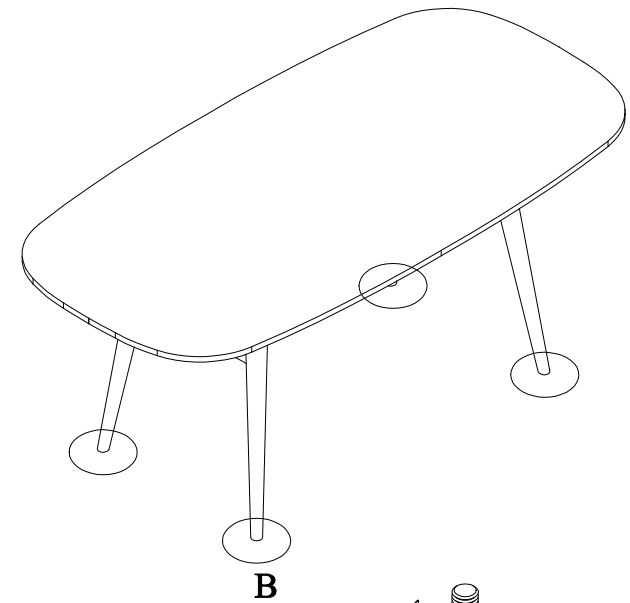
**01** Steel allen bolt (x4pcs)



**02** Steel allen wrench (x1pc)



Detail 'A'



Detail 'B'