












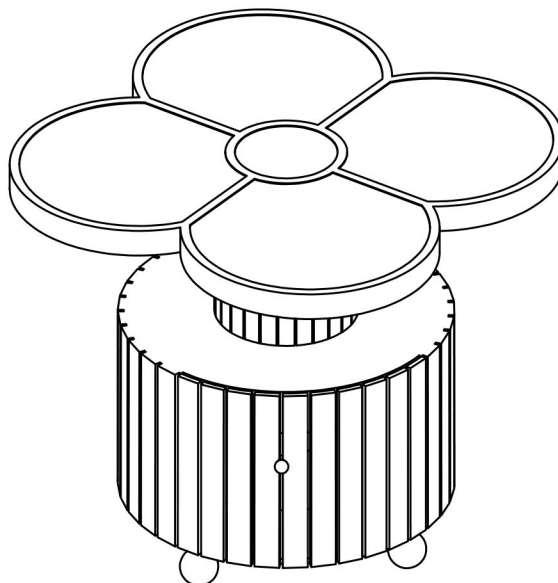
Assembly Instructions

Caution : You must read this before you proceed


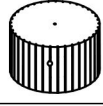


Care & Maintenance

- ⊘  ● Not for commercial use. For residential use only.
- ✓  ● Furniture may scratch floors. We recommend using furniture pads to protect your floors.
- ⊘  ● Do not put hot items directly on furniture surface.
- ⊘  ● Do not clean furniture with harsh cleansers or polish.
- ⊘  ● Do not place furniture under direct sunlight.
- ⊘  ● Do not place furniture near heating or cooling vents.
- ⊘  ● Do not write on furniture without a padded barrier to protect the surface.
- ⊘  ● Do not place furniture outside . For indoor use only.
- ⊘  ● Stains may be removed with mild soap solution and damp cloth.
- ⊘  ● Children should not climb or jump on the furniture.
- ✓  ● Dust and pick-up spills using a clean, non-colored, lint-free cloth.




COFFEE TABLE



Parts List

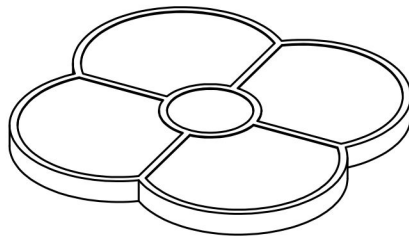
Label	Picture	Description	QTY
A		Table Top	1
B		Table Base	1
C		Table Leg	1
D		Coffee Table Feet	4

Hardware

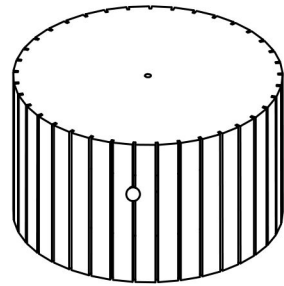
Label	Picture	Description	QTY
①		Short Bolt(M8x29mm)	5
②		Washer	5
③		Allen Wrench	1

Assembly Preparation

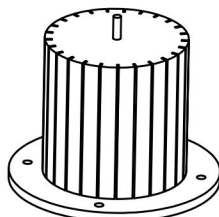
Before Beginning Assembly:



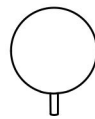
Ax1



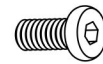
Bx1



Cx1



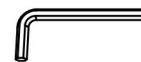
Dx4



①x5



②x5



③x1



- Read instructions, cover to cover-



- Have 2 adults on hand for assembly-



- Do not assemble on flooring or carpet-



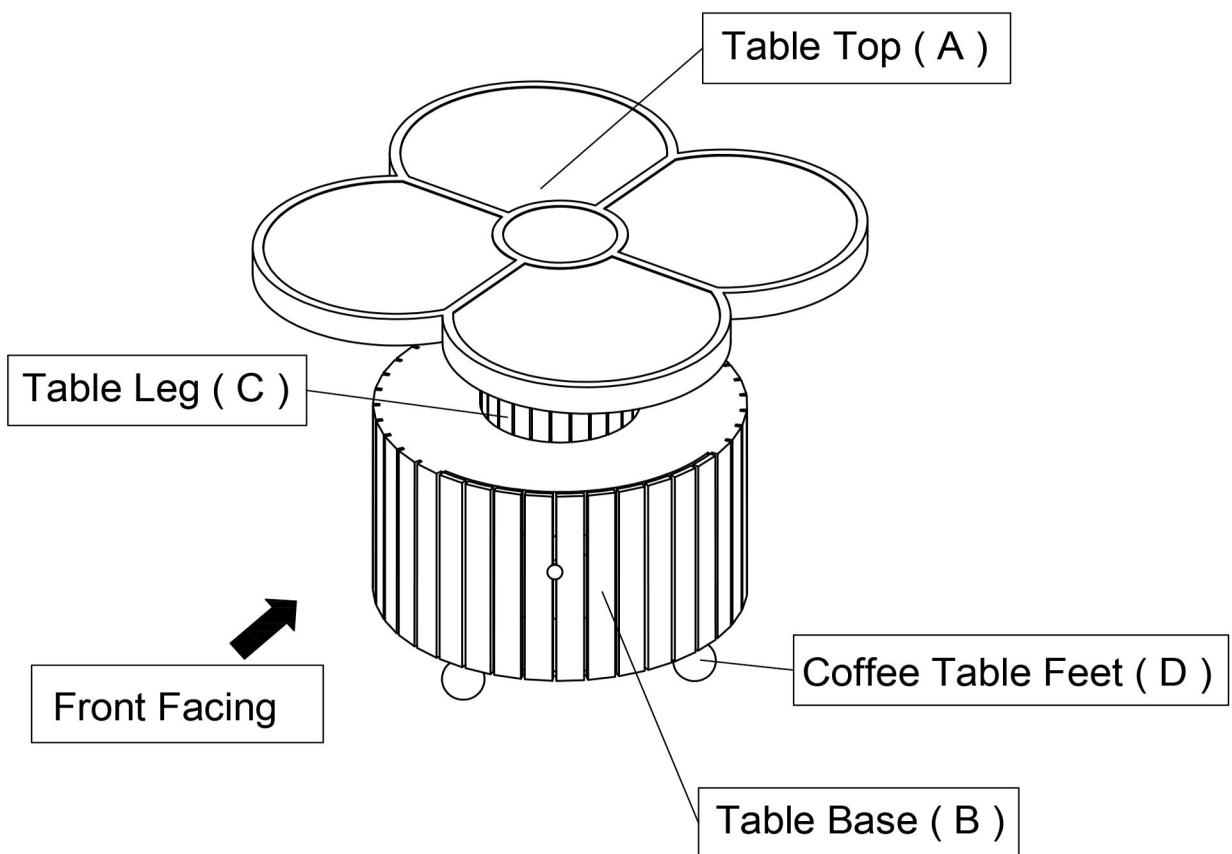
- Assemble on a clean non-marring surface (packing foam)-



- Save all packaging until finished.

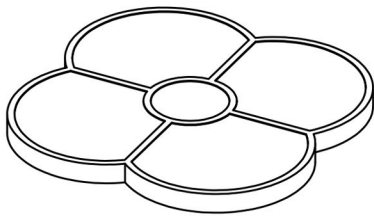
Assembly Steps

Overview:

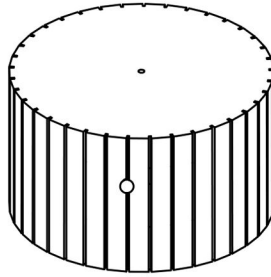


This Coffee Table has multiple parts and may require up to 30 minutes to assemble. To give you an overview of the Coffee Table, the above picture is to help you put the various parts into perspective. Please read through the instructions below to familiarise yourself with the parts and steps before assembly.

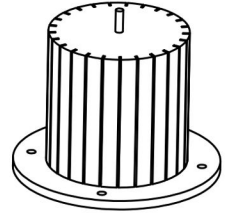
Step 1



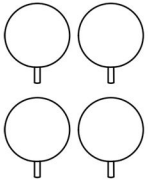
Ax1



Bx1



Cx1



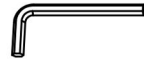
Dx4



①x5



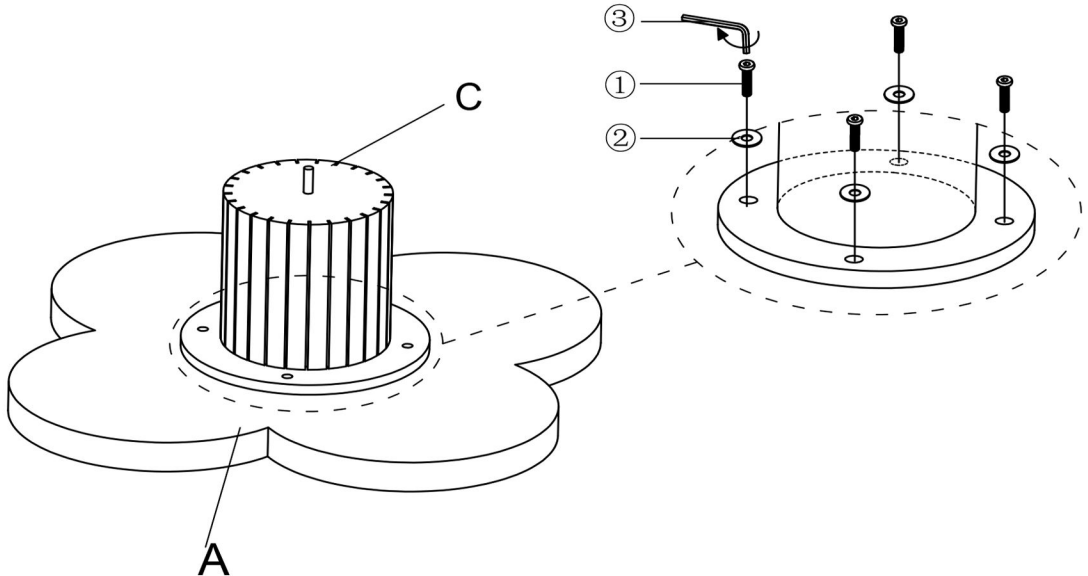
②x5



③x1

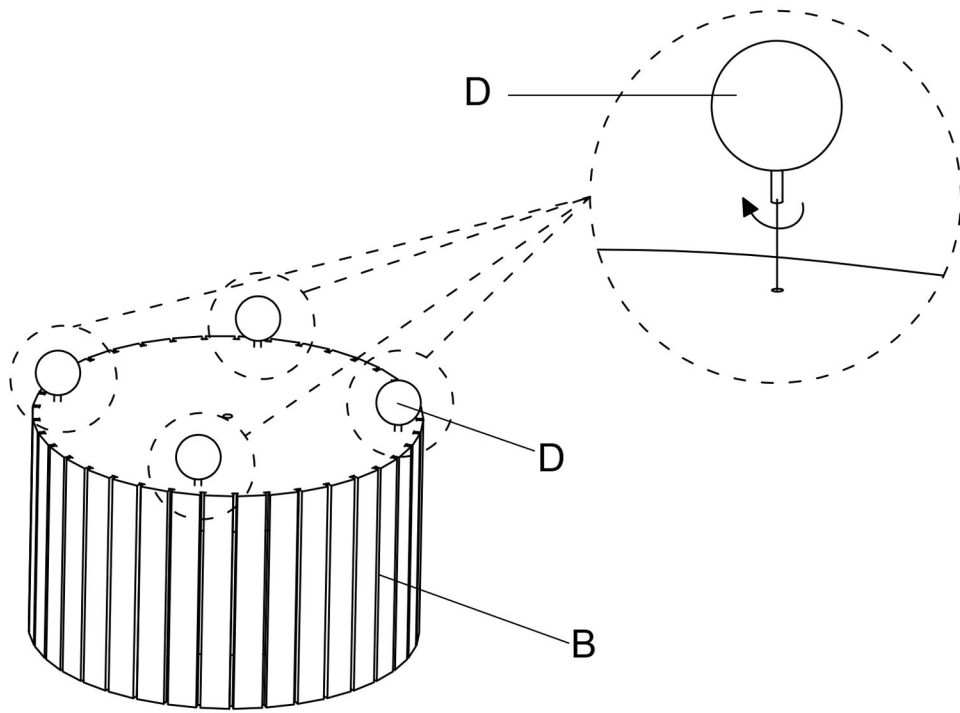
Place the Table Top(A),Table Base(B),Table Leg(C) ,Coffee Table Feet (D), Short Bolt(①), Washer(②) and Allen Wrench(③) on a clean,non-marring surface.

Step 2



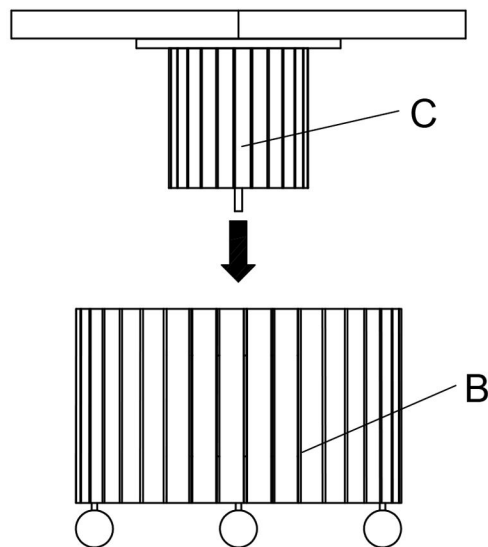
Attach Table Top (A) to Table leg(C) Short Bolt(①) and Washer(②) with Allen Wrench (③) as shown above.Tighten the Bolts fully in a sequential manner.

Step 3



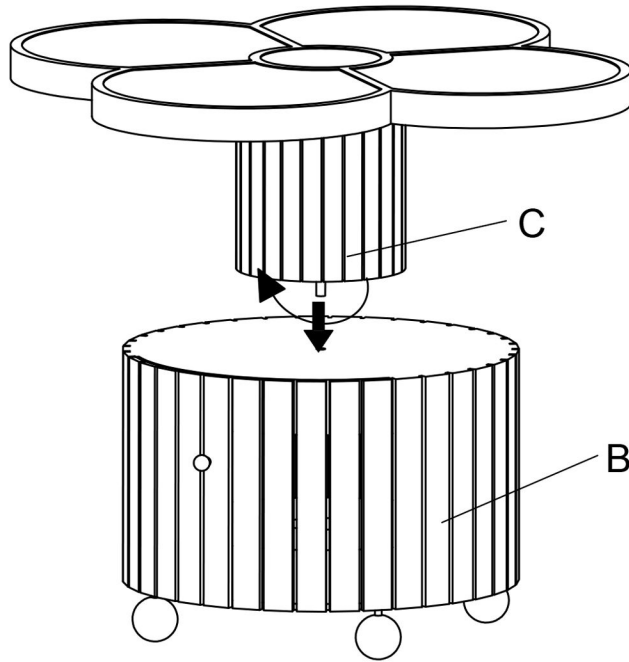
Attach coffee table feet (D) to coffee Table Base (B) as shown above. Tighten the Bolts fully in a sequential manner.

Step 4



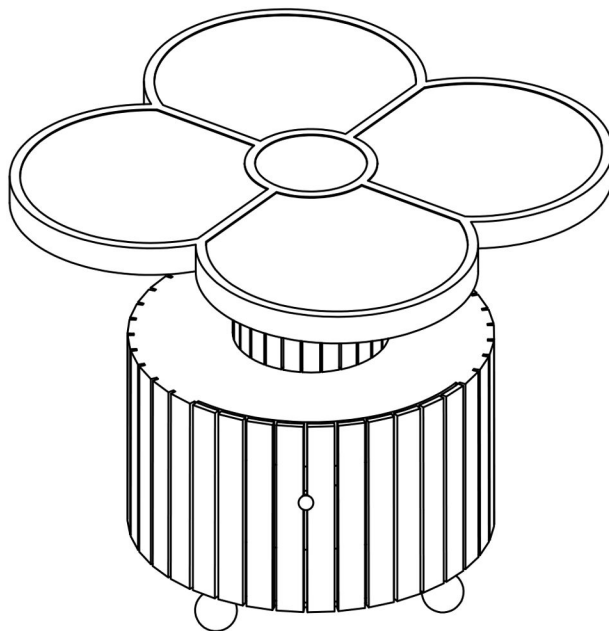
Align the Base(B) and Table Leg(C) as pictured above.

Step 5



Rotate the Base(B) along the Table Leg(C) until lock into place.

Step 6



Your Coffee Table is ready for use.
This Coffee Table can only be used on a flat, level surface.