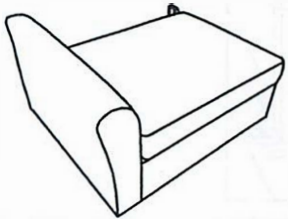
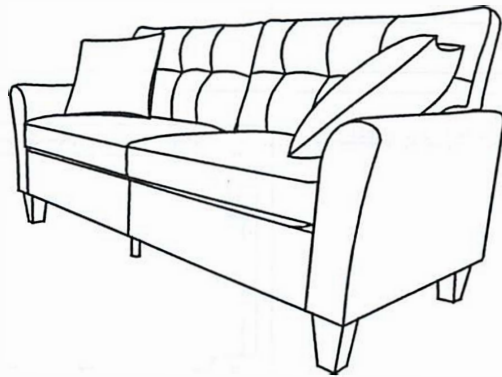
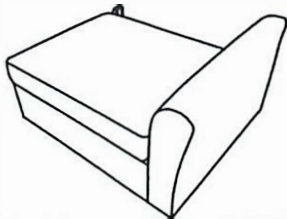


Assembly Instruction



A

X1



B

X1



C

X1



D

X1



E

X2



F

X4



G

X2



X2

1



X4

2



X6

3



X6

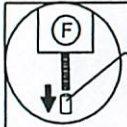
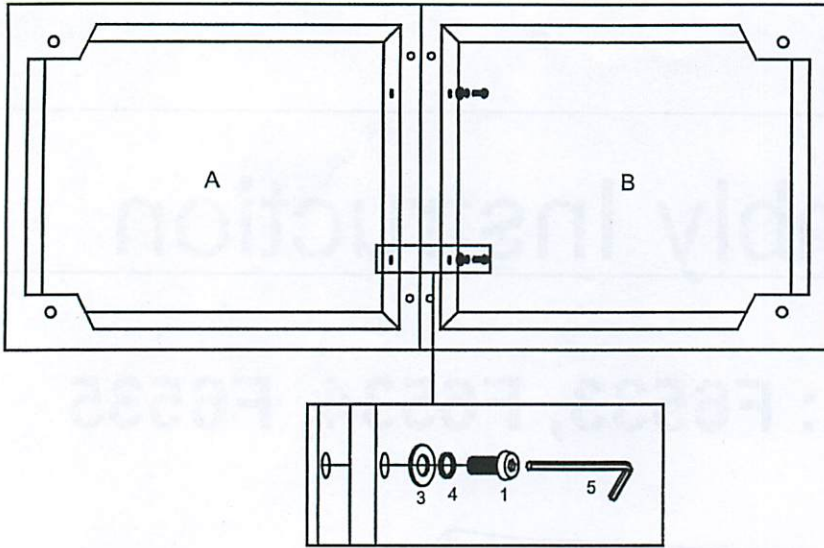
4



X1

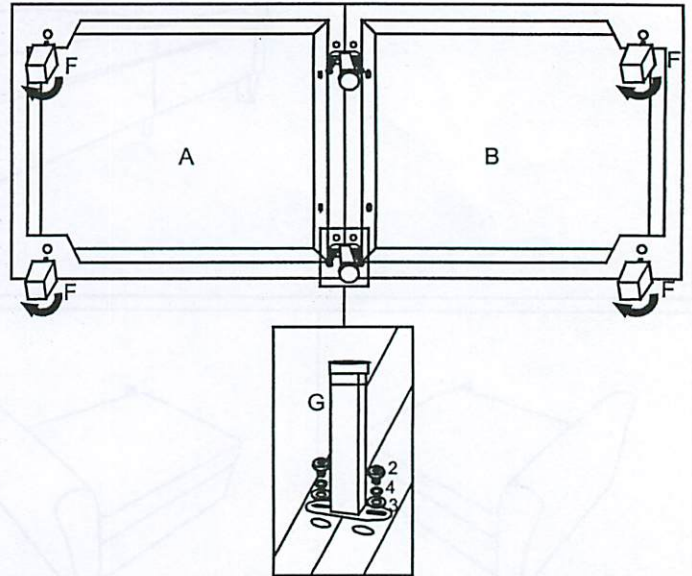
5

Step 1

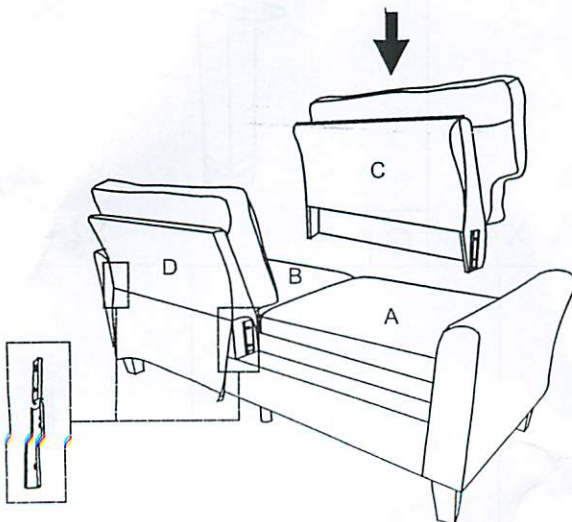


▲ Please remove the protective cap on the tip of thread before assembling.

Step 2



Step 3



Step 4

