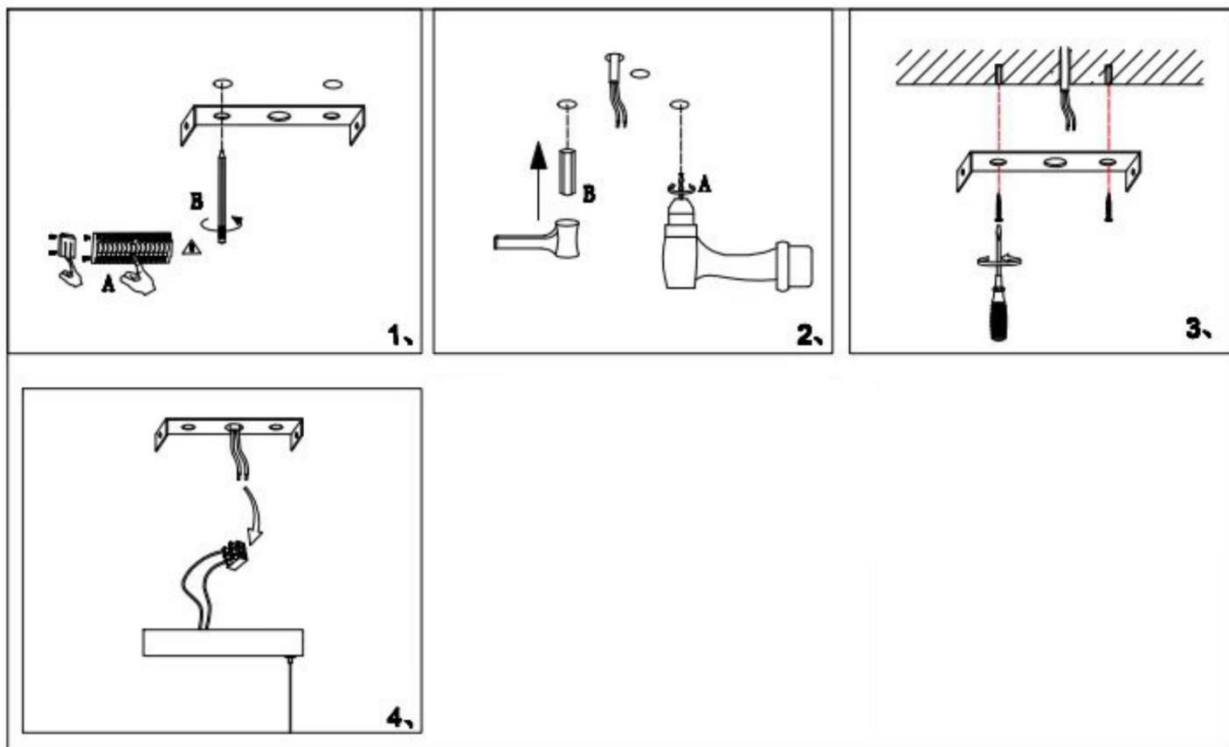


# Assembly Instructions for **Model 210124020**



## Installation method



### STEP 1

Remove the mounting bracket and mark its position on the ceiling.

### STEP 2

Install the expansion tube at the marking on the mounting bracket.

### STEP 3

Install the ceiling canopy and fix it to the expansion tube with expansion screws.

### STEP 4

Connect the lamp wires to the ceiling wires. (No need to distinguish between the neutral wire and the live wire)

### STEP 5

Fix the ceiling canopy to the mounting bracket.

### STEP 6

Finally, remove the hanging ring (lamp holder ring), attach the lampshade, and then reattach the lamp holder ring.

Your fixture is now assembled and ready to use.