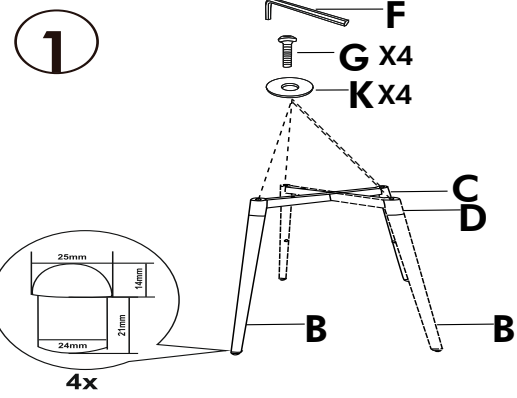
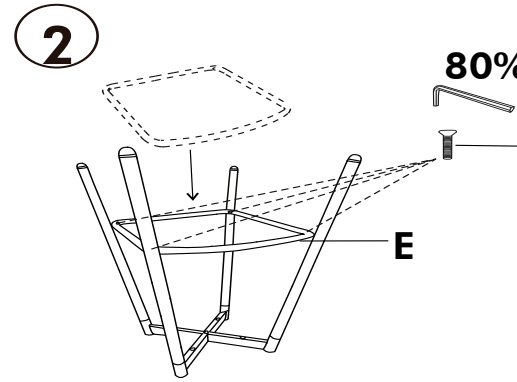


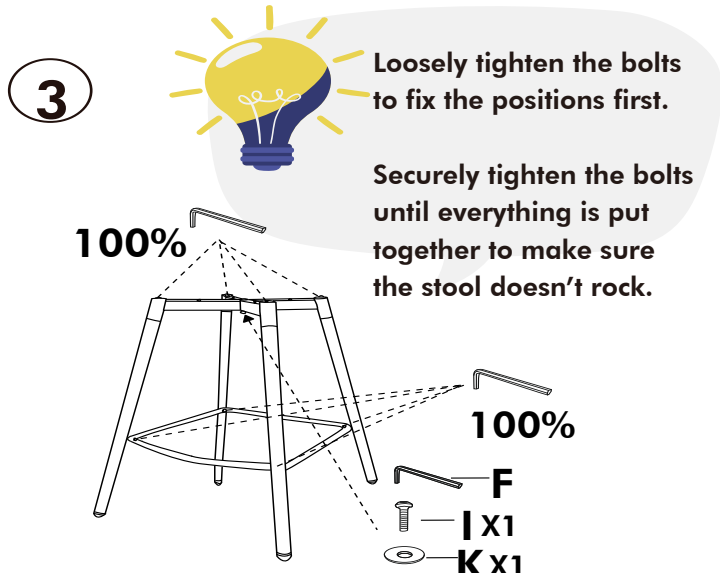
No.	Description		QTY
A	Seat		2
B	Leg		8
C	Lower Cross		2
D	Upper Cross		2
E	Footrest		2
F	Allen Key		1
G	Bolt M6*18MM		8
H	Bolt M6*40MM		8
I	Bolt M6*30MM		2
J	Bolt M6*30MM		8
K	Gasket M6*16*1MM		18



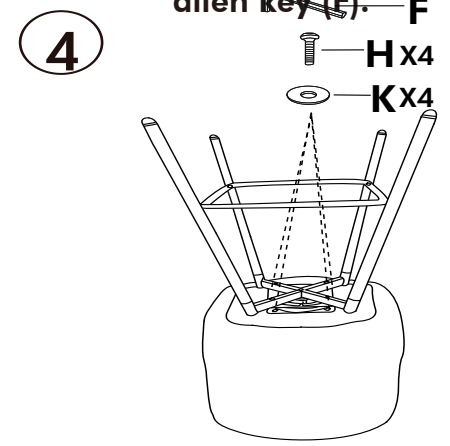
1. Plug the legs (B) into the holes of the cross (C) and (D) and loosely tighten bolt (G) and gasket (K) using allen key (F). Join Lower Cross (C) and Upper Cross (D) together to form a cross.



2. Place the chair base upside-down. The curved side of the footrest should face to the seat front. Attach the footrest (E) to the legs. Loosely tighten the bolts (J) using allen key (F).



3. Use gasket (K), bolt (I) and allen key (F) to secure the centre of the cross from the bottom.



4. Use gasket (K), bolt (H) and allen key (F) to attach the chair base to bottom of the seat (A), make sure the holes under the seat align with metal plate, then fasten bolts to secure.

BAR CHAIR (SET OF 2)