


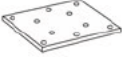








Ax1 	E1x1 	E3x1 	Bx1 	Cx4  M8x $\frac{90}{3.5}$
		E4x1 		
	E2x1 	Dx4  M8x $\frac{45}{1.8}$	Ex5 	Fx1 
		Gx1 