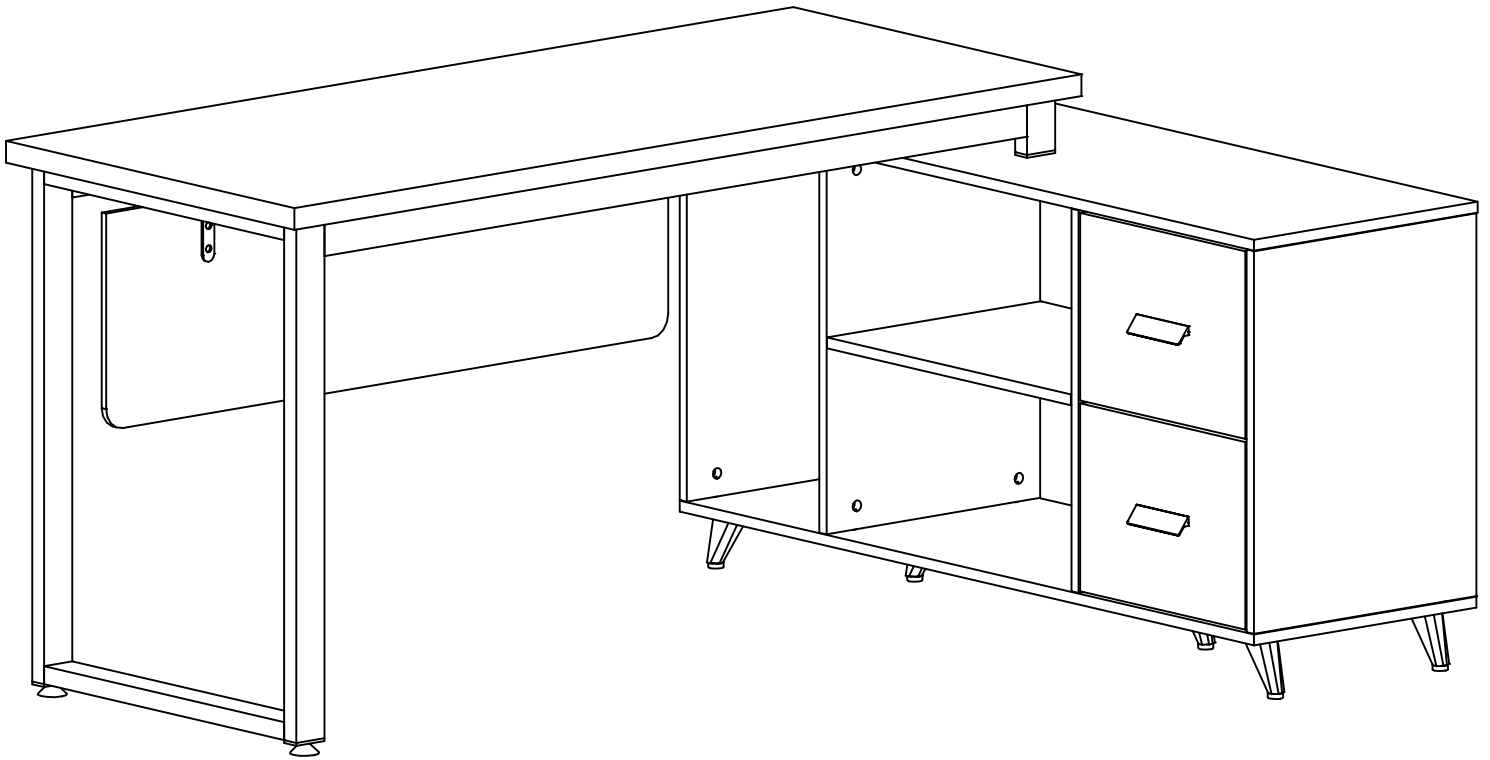
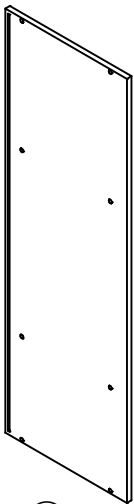


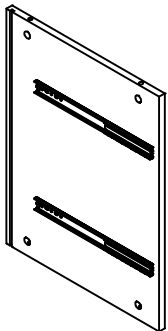
Installation instructions



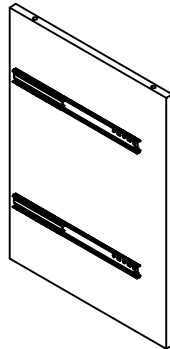
Accessories show



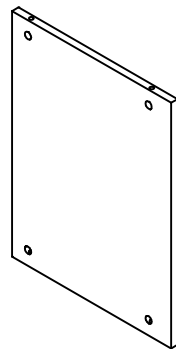
①
1 pcs



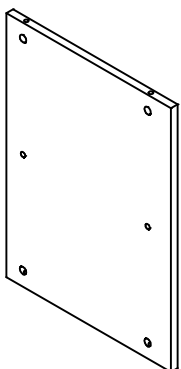
②
1 pcs



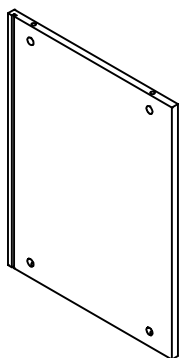
③
1 pcs



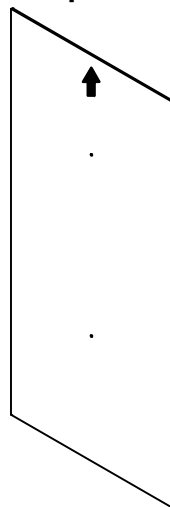
④
1 pcs



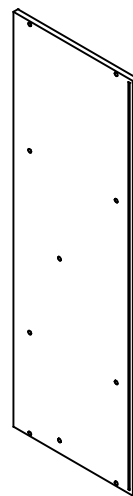
⑤
1 pcs



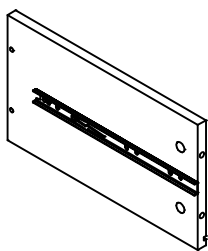
⑥
1 pcs



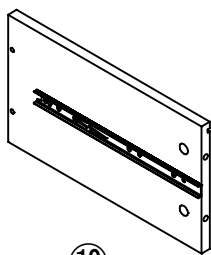
⑦
1 pcs



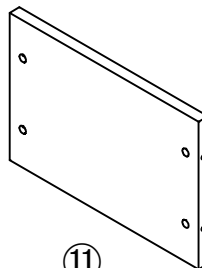
⑧
1 pcs



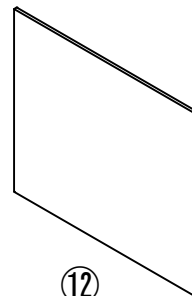
⑨
2 pcs



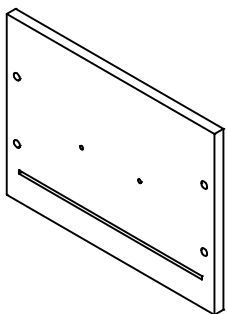
⑩
2 pcs



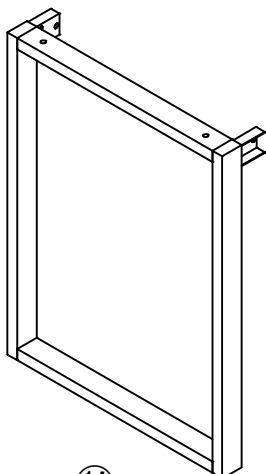
⑪
2 pcs



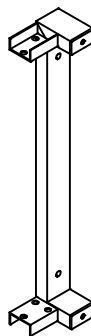
⑫
2 pcs



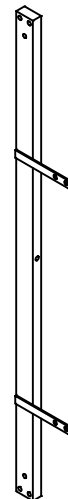
⑬
2 pcs



⑭
1 pcs



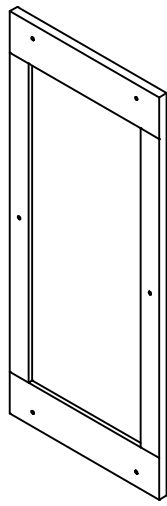
⑮
1 pcs



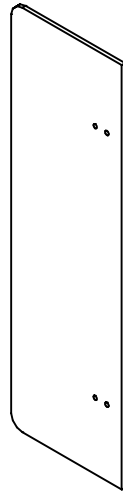
⑯
1 pcs



17
1 pcs



18
1 pcs



19
1 pcs



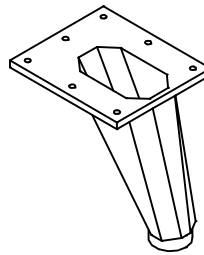
A
28 pcs



B
28 pcs



C
2 pcs



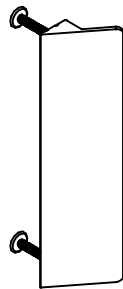
D
4 pcs



E
24 pcs



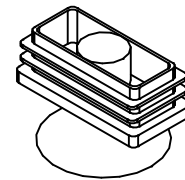
F
8 pcs



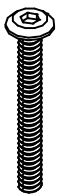
G
2 pcs



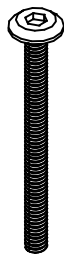
H
12 pcs



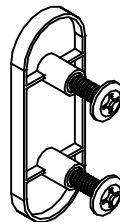
I
2 pcs



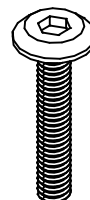
J
4 pcs



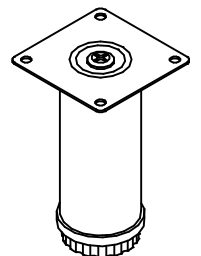
K
2 pcs



L
2 pcs

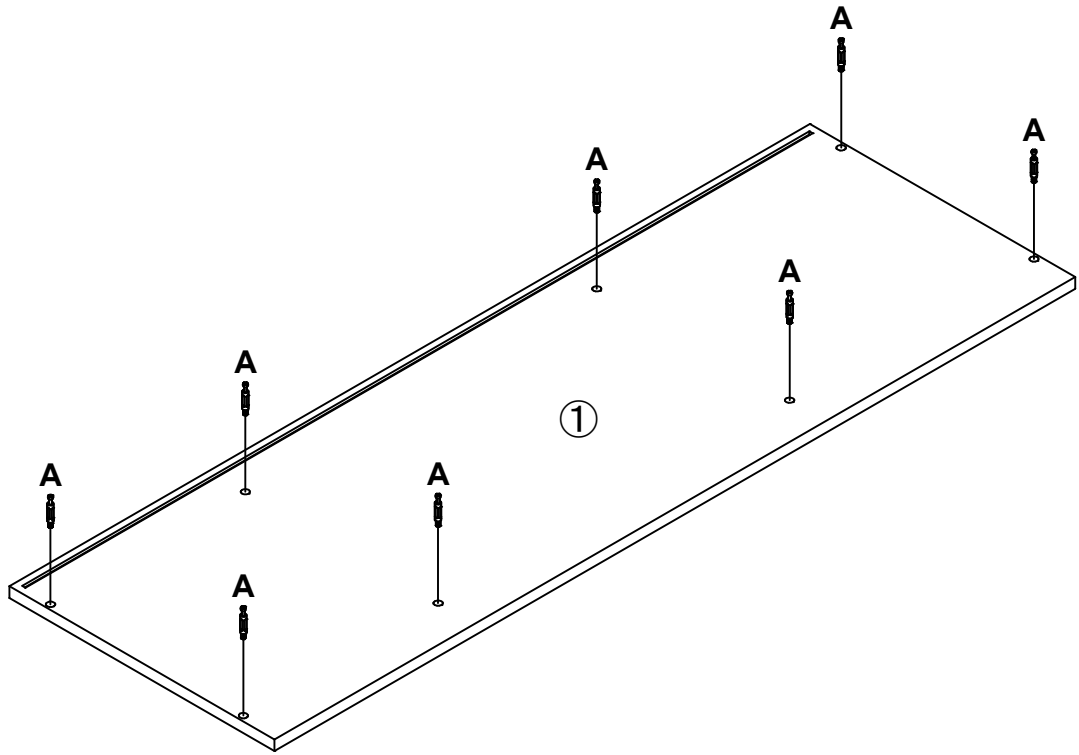


M
2 pcs



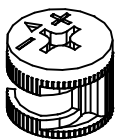
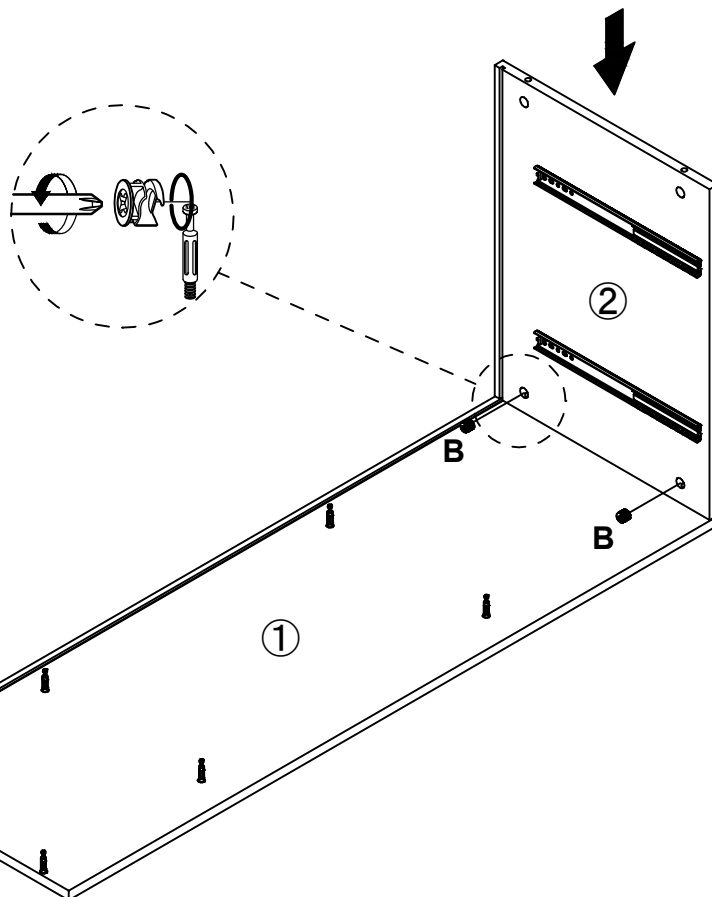
N
2 pcs

Notes: Don't tighten screws completely at first, just in case parts were assembled wrong and need disassembled. Tighten screws at last when all parts are put together.



A

01

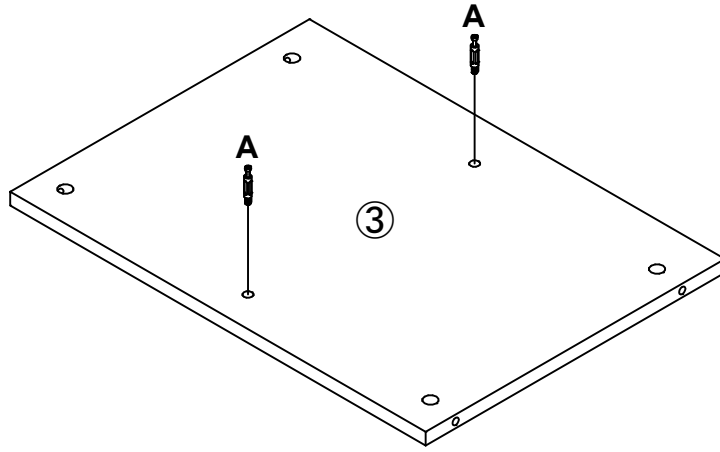


B

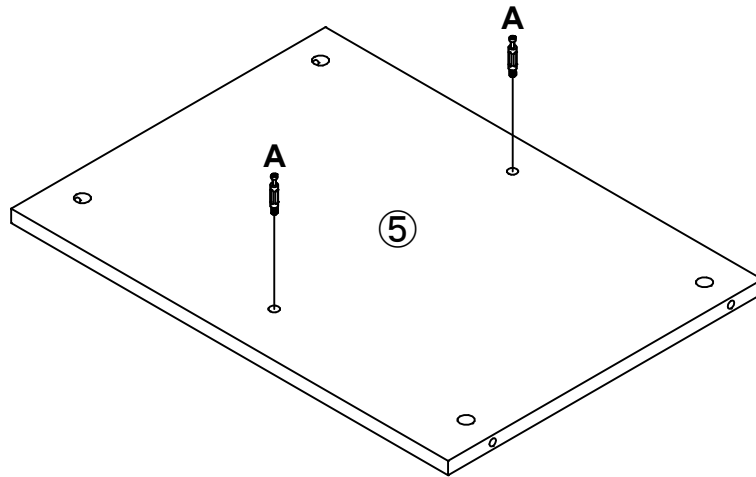
02



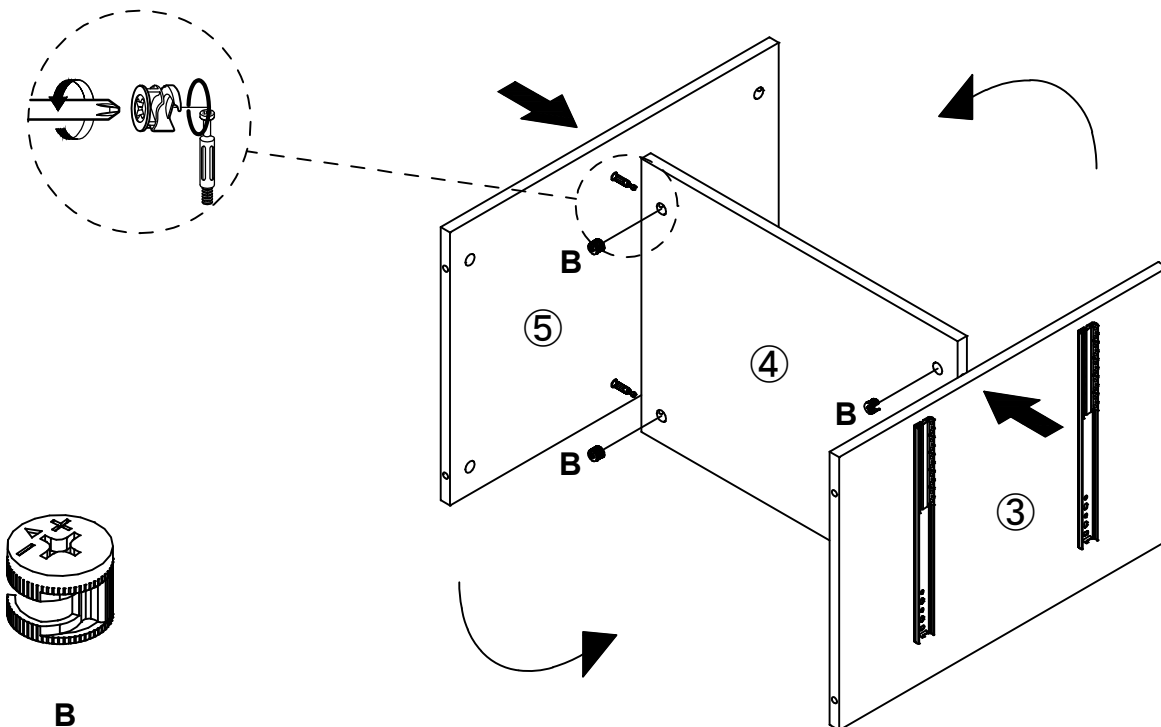
A



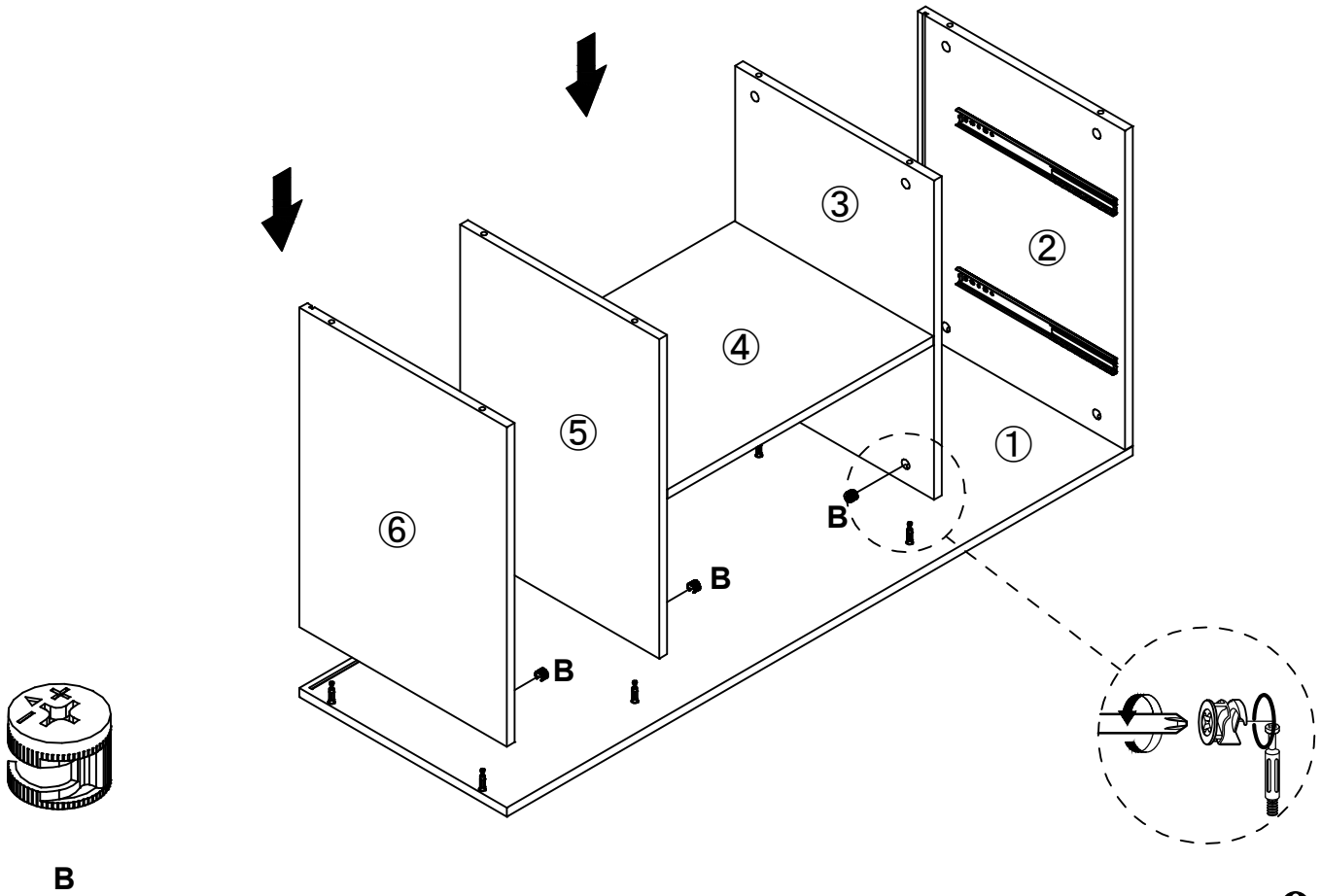
03



04

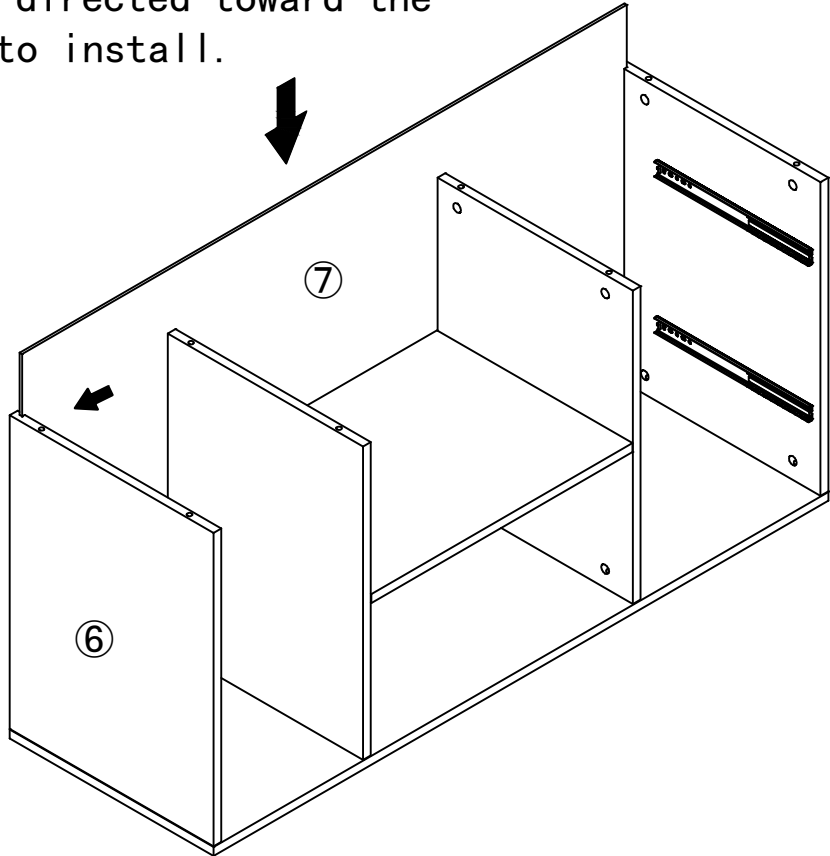


05

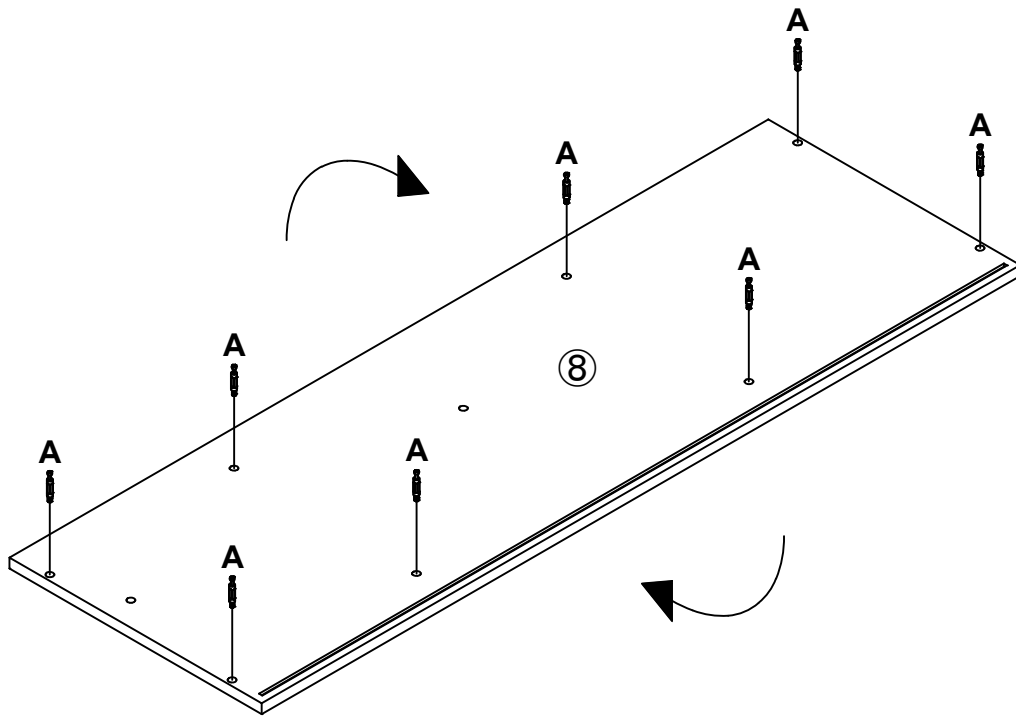


06

Please note that ensure the arrow on #7 board is directed toward the #6 board then to install.

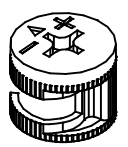
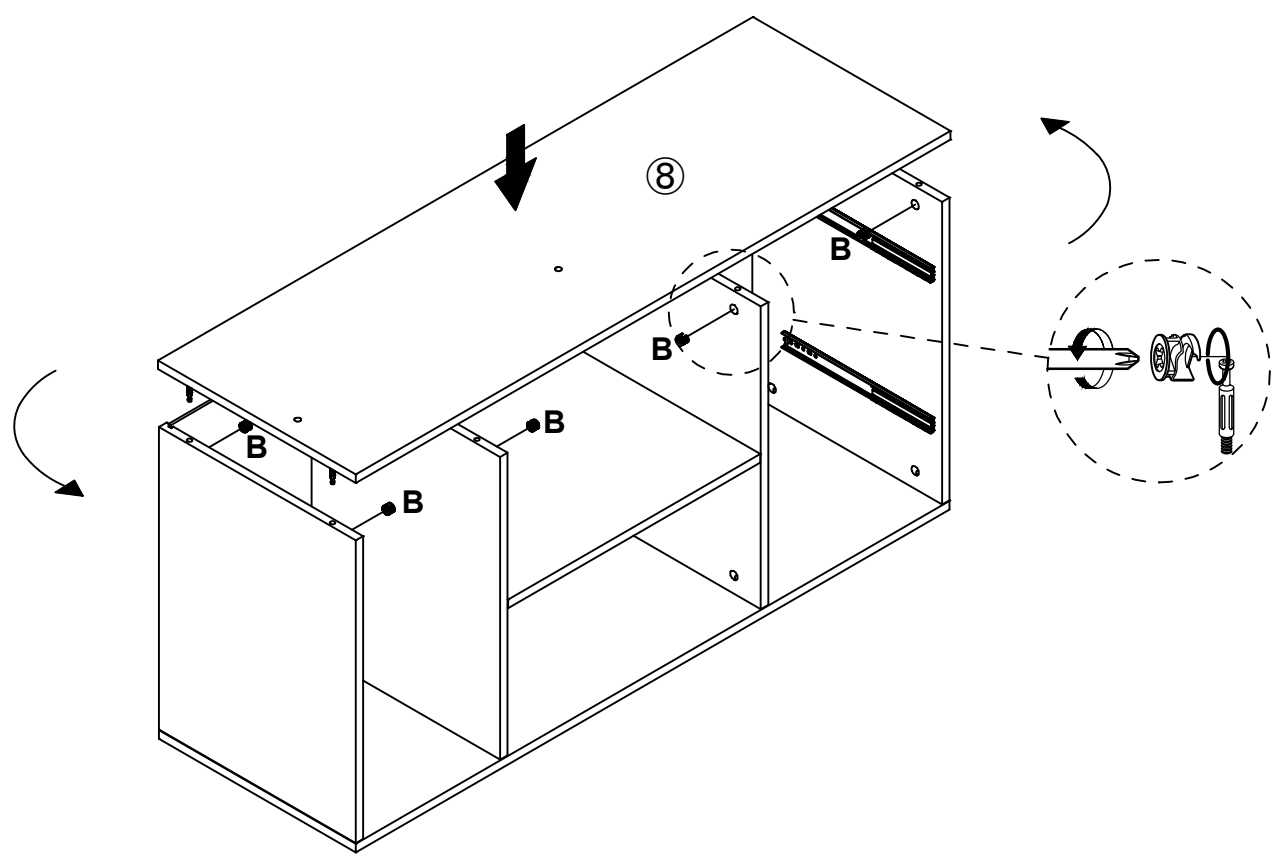


07



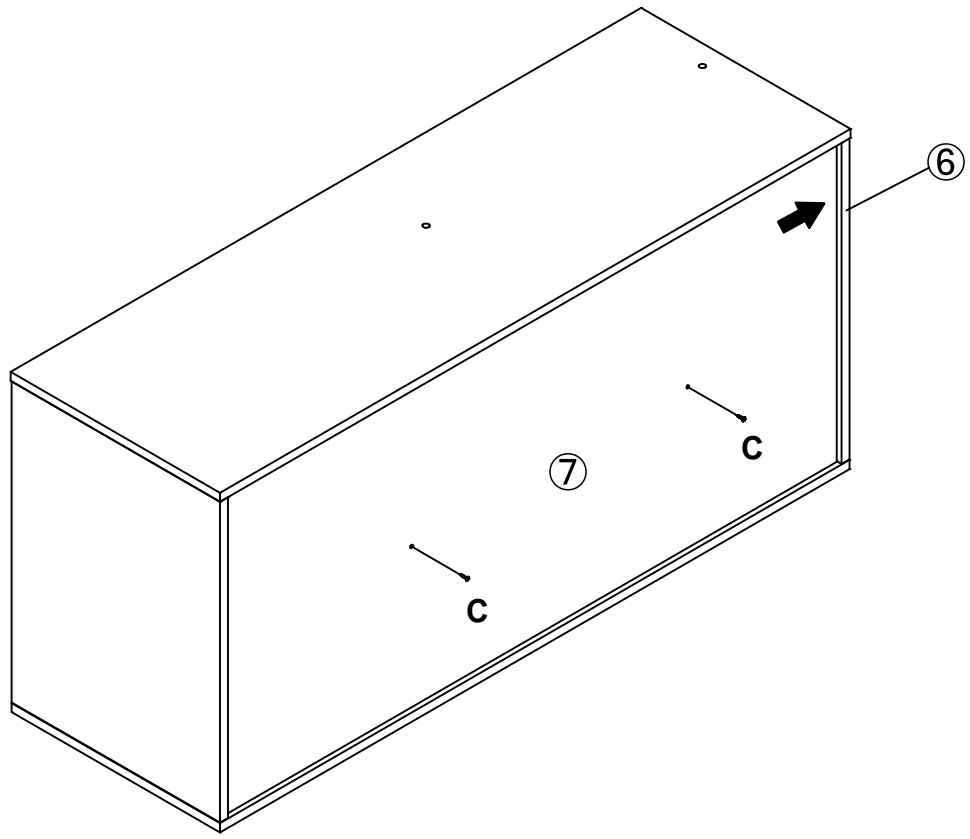
A

08



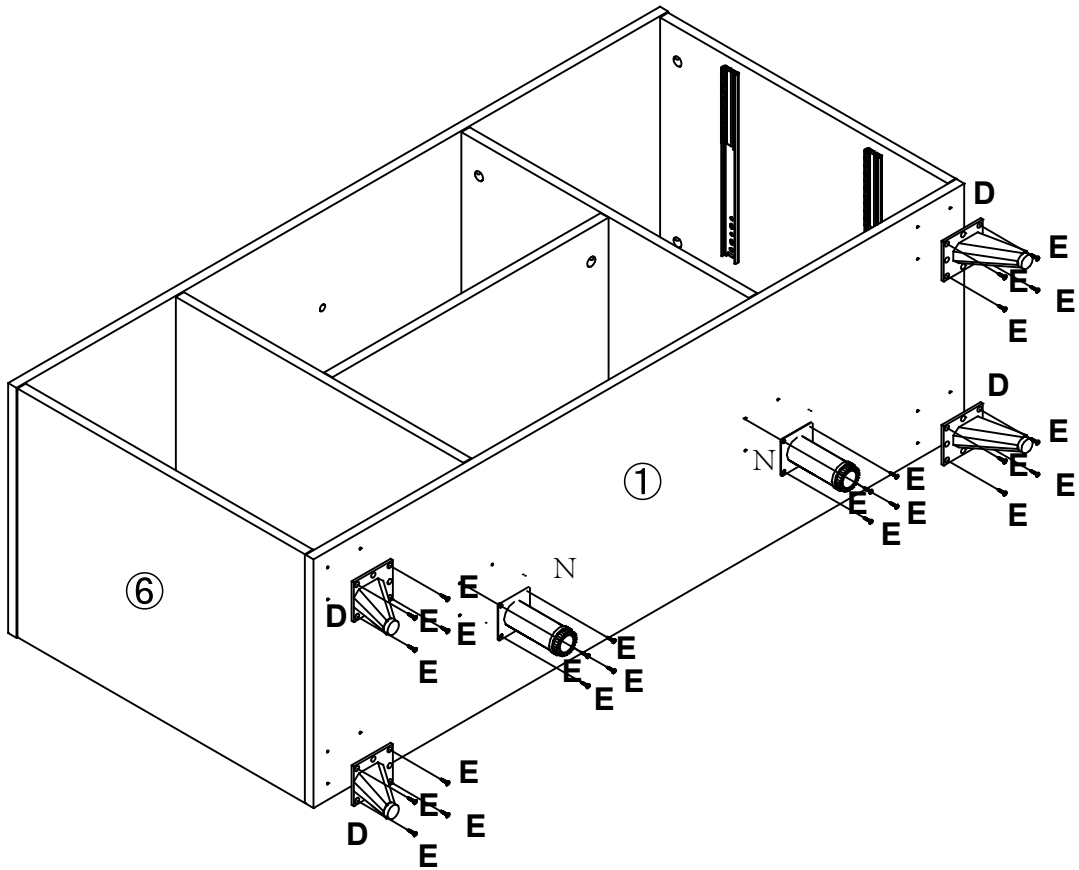
B

09



C

10

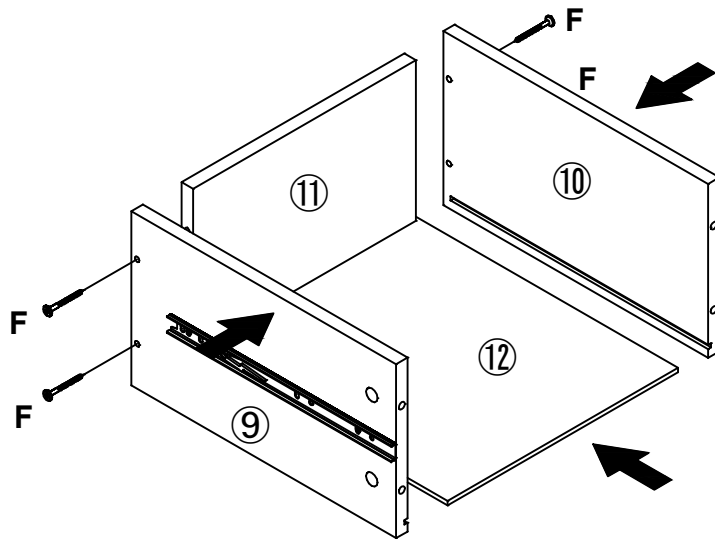


E

11



F

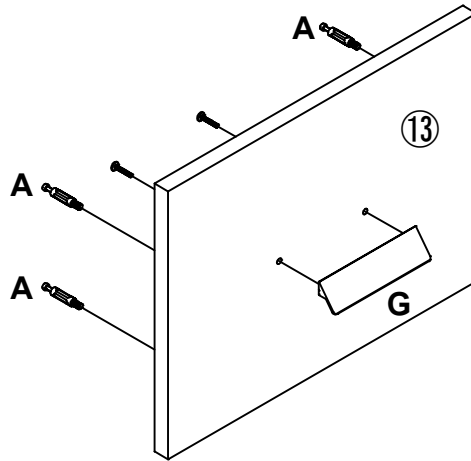


x2

12



A

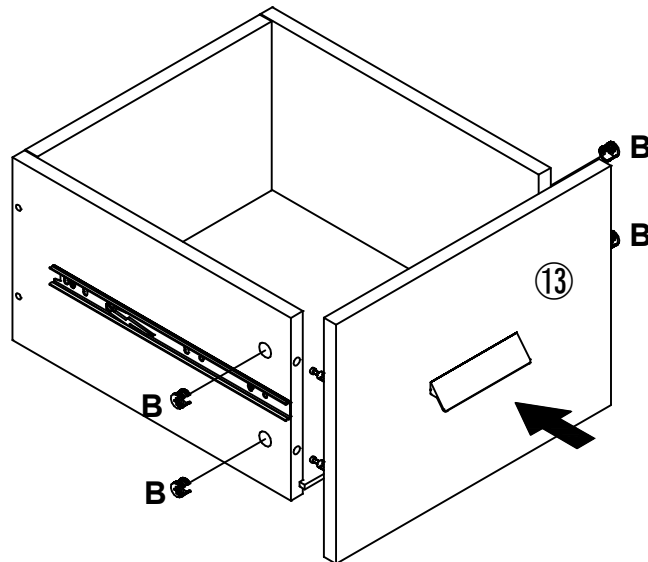


x2

13



B

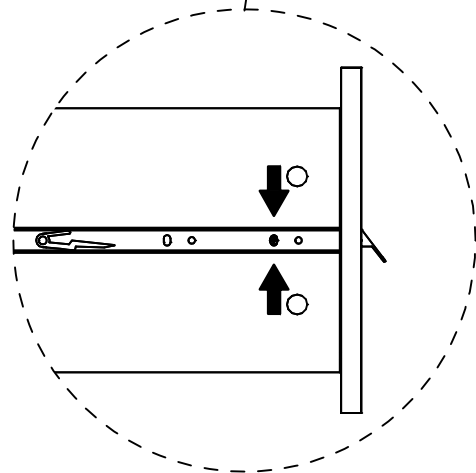
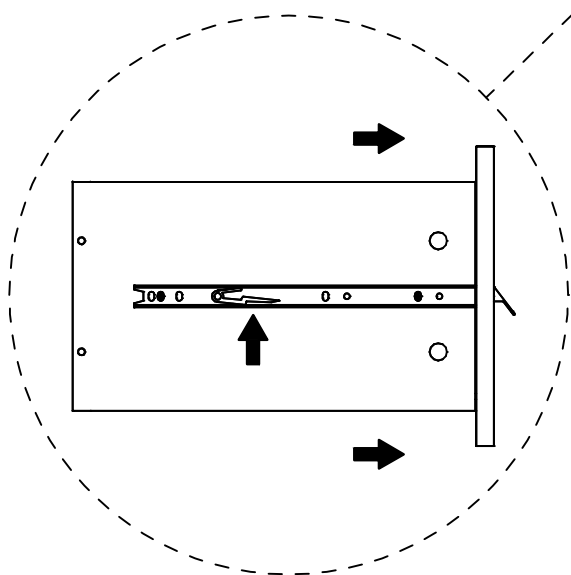
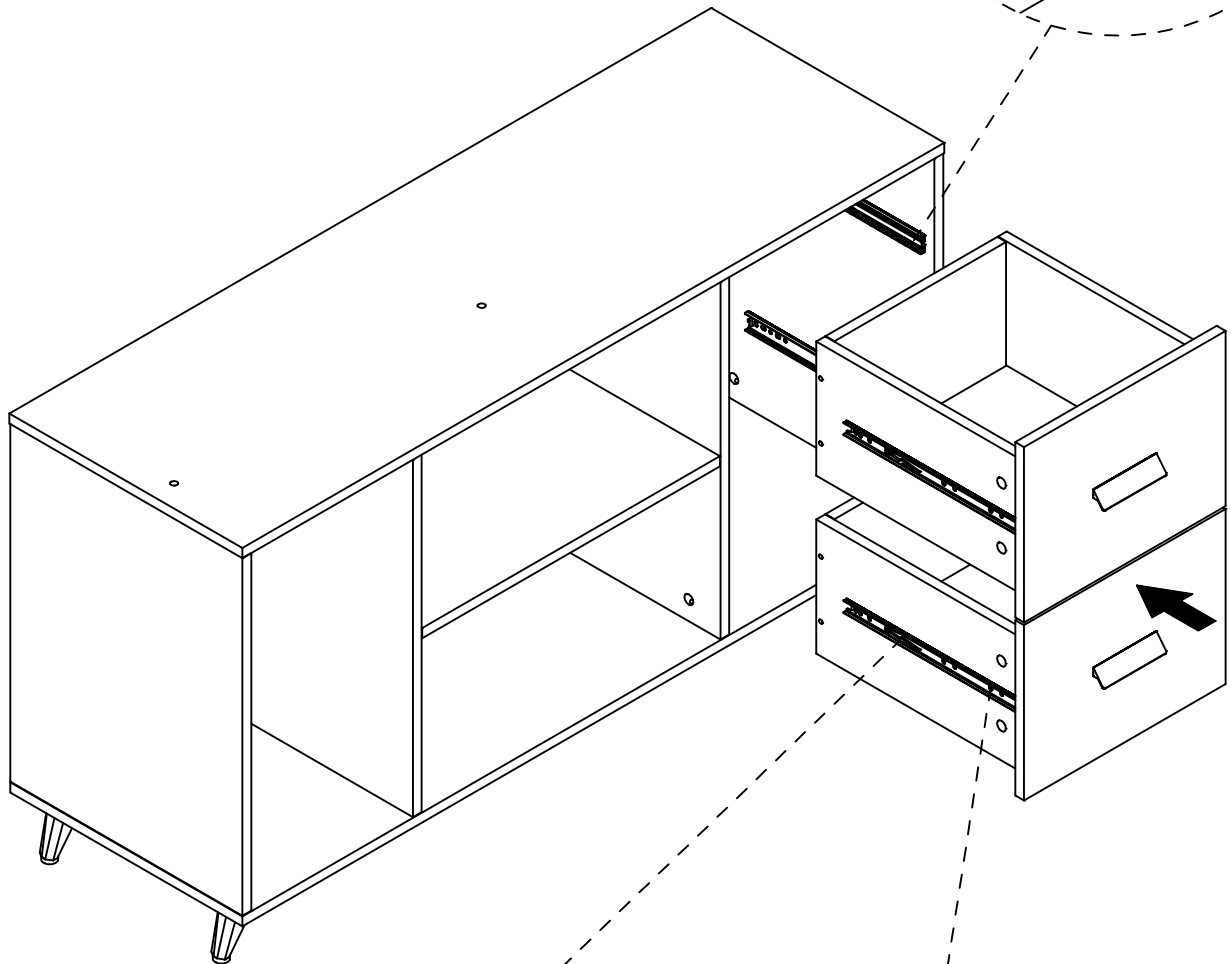
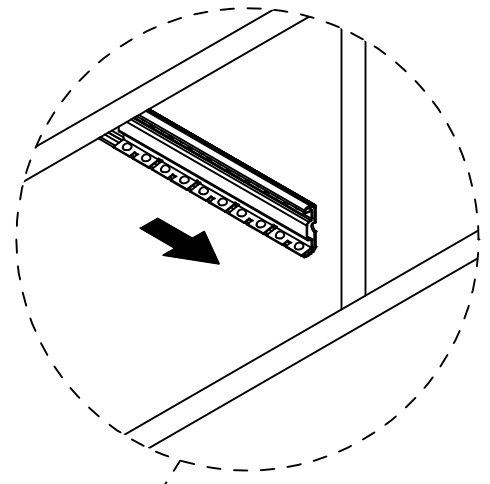


x2

14



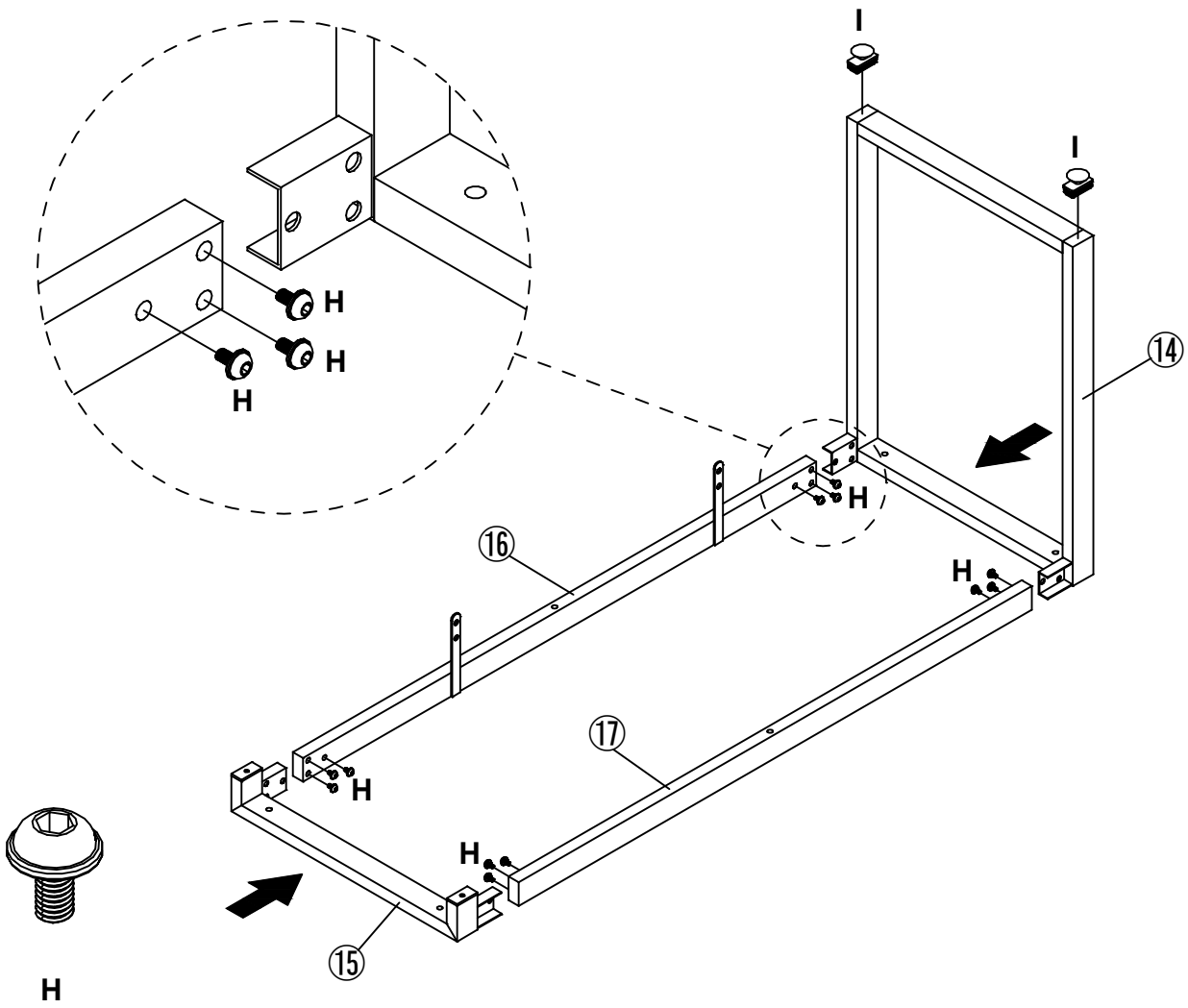
Push the iron sheet to the top, and you can put the drawer in smoothly.



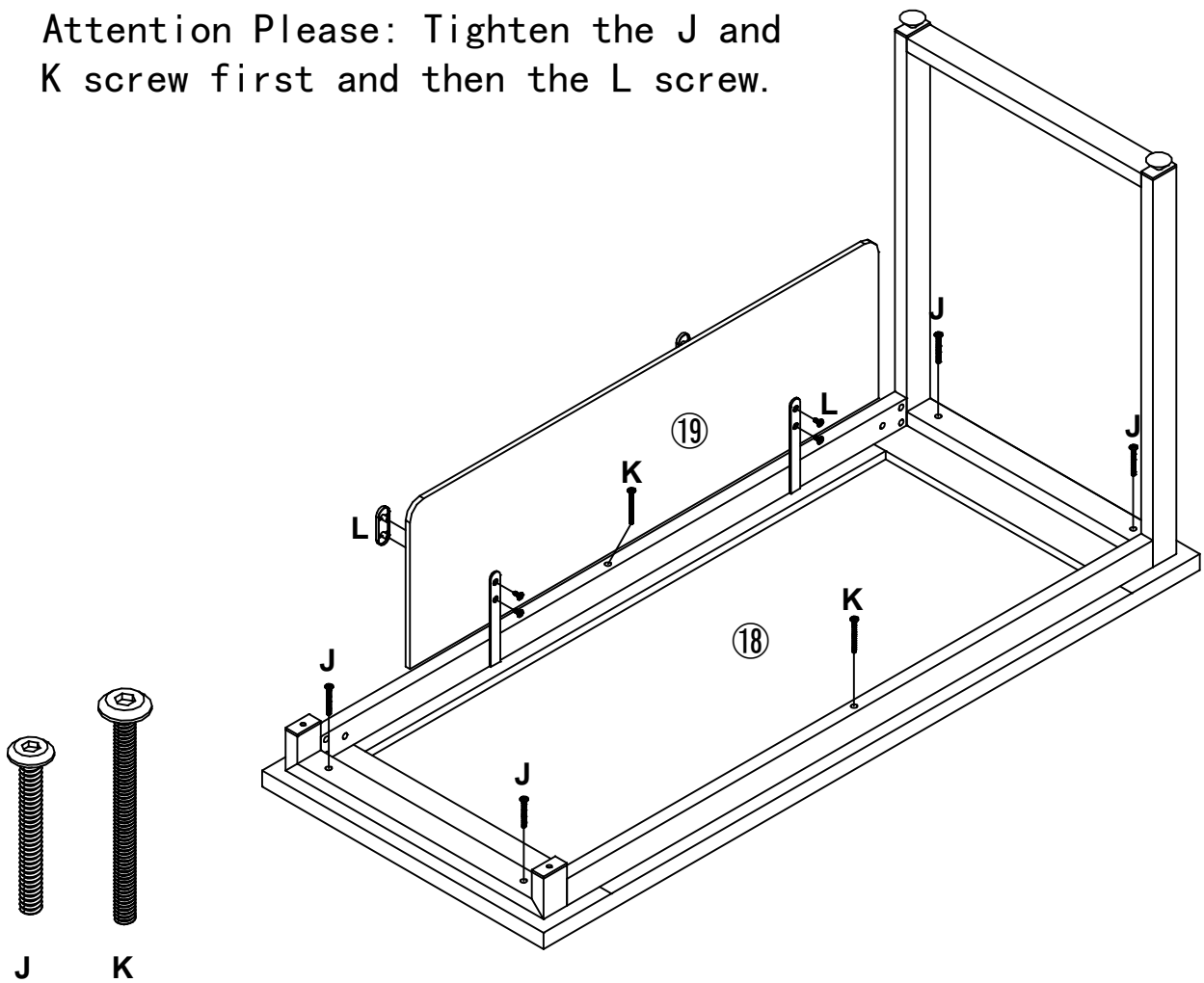
If the drawers do not run smoothly, please loosen the screws, and a little bit adjust the rail.



Press down the device on the guide so that the drawer can be removed from the filing cabinet.

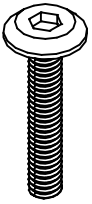
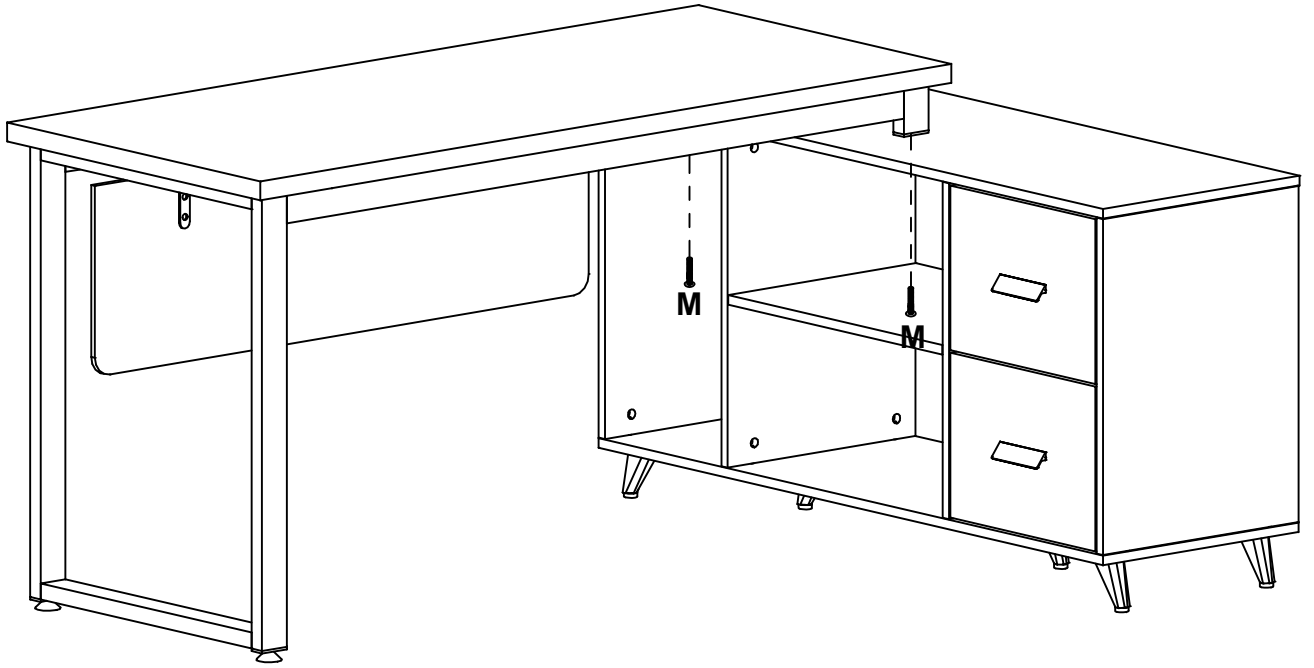


Attention Please: Tighten the J and K screw first and then the L screw.



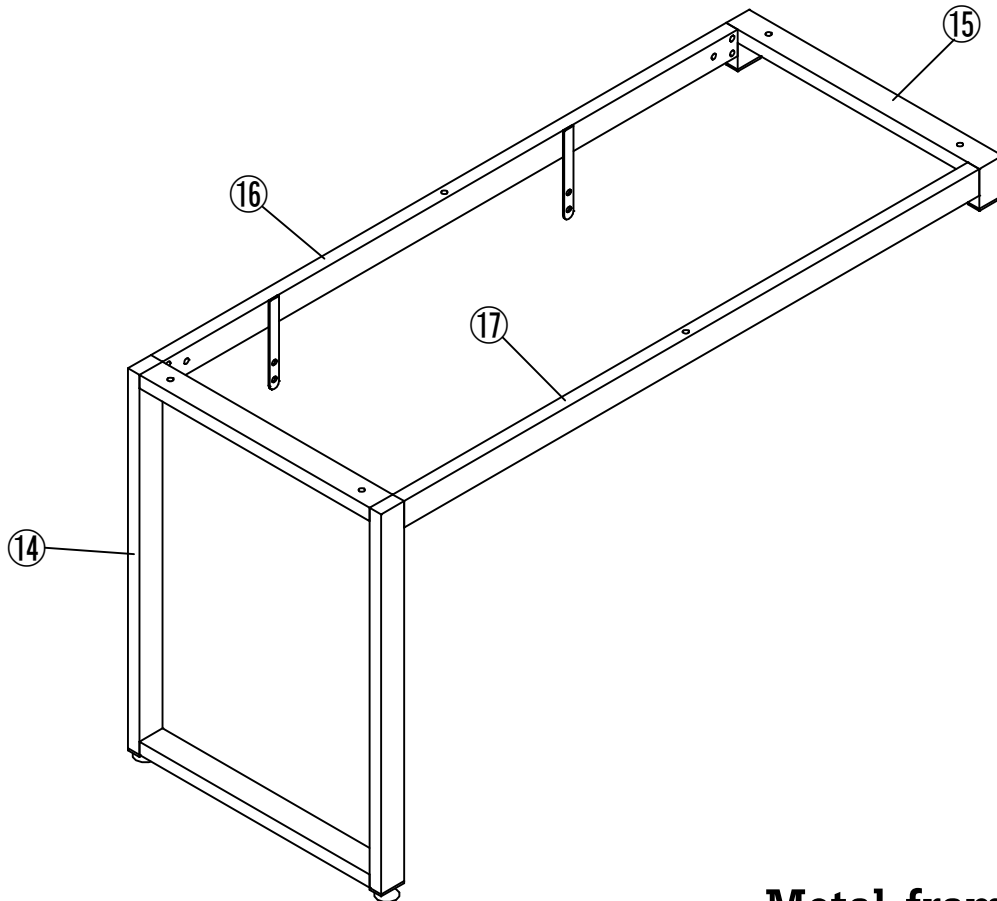
16

17

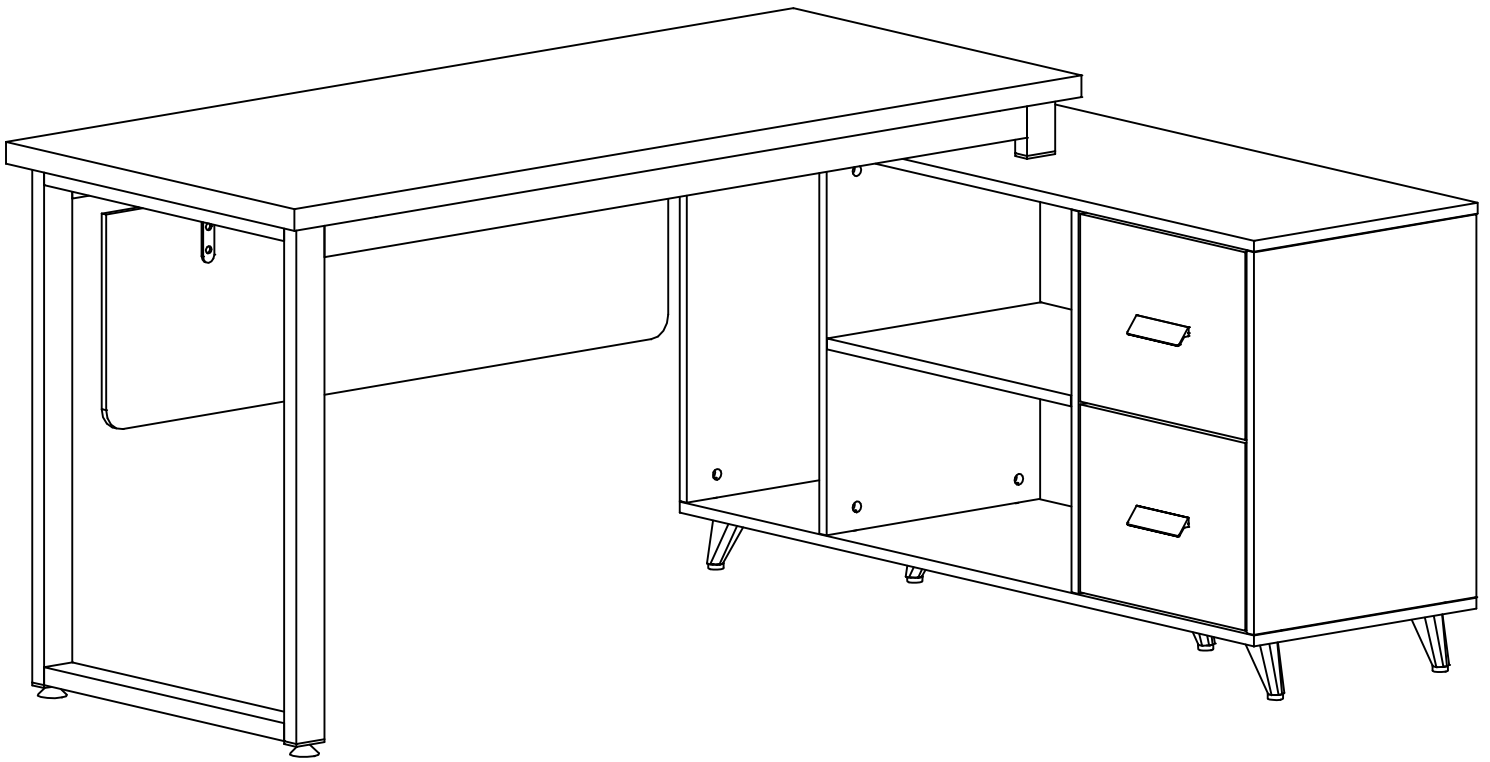


M

18



Metal frame assembled



Complete
