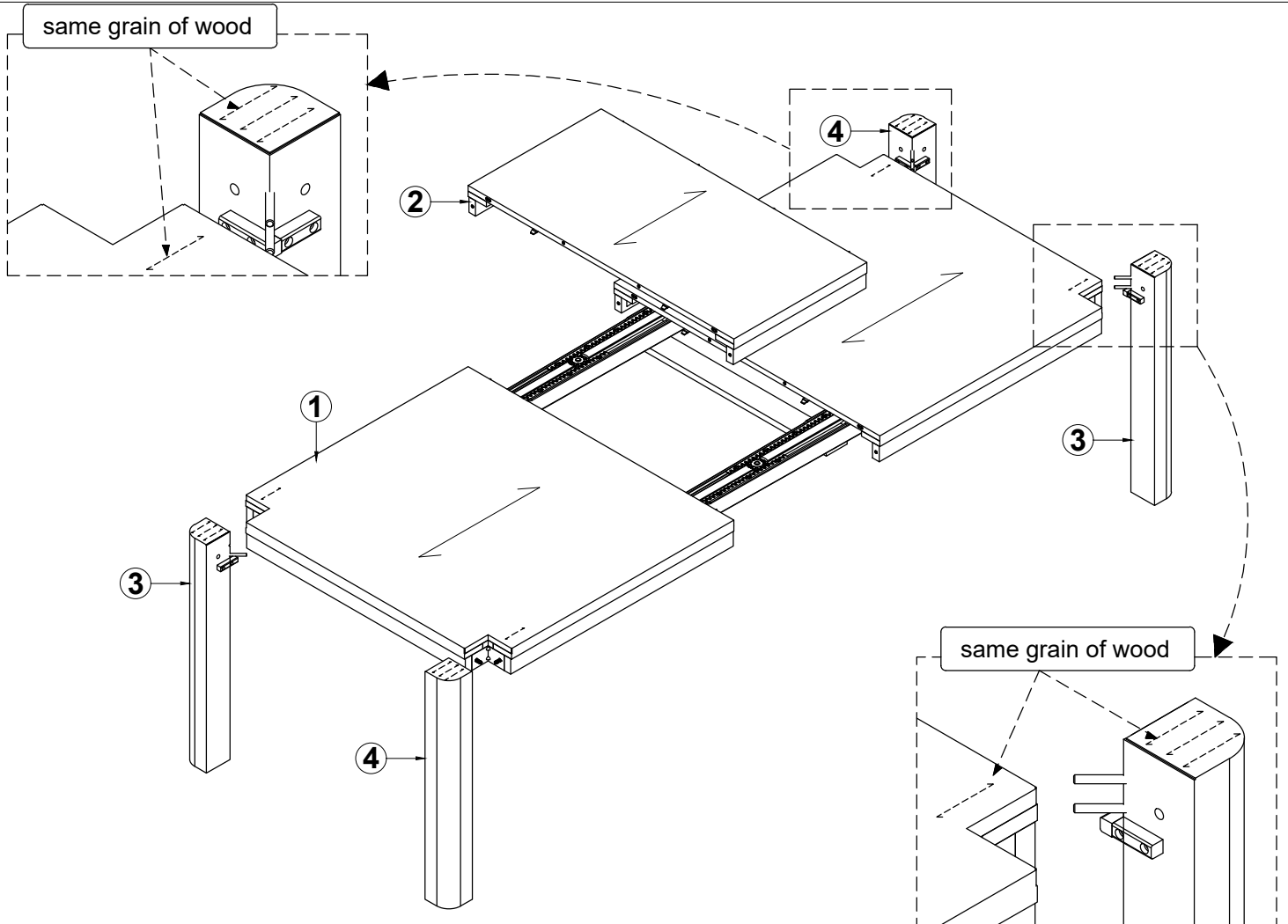
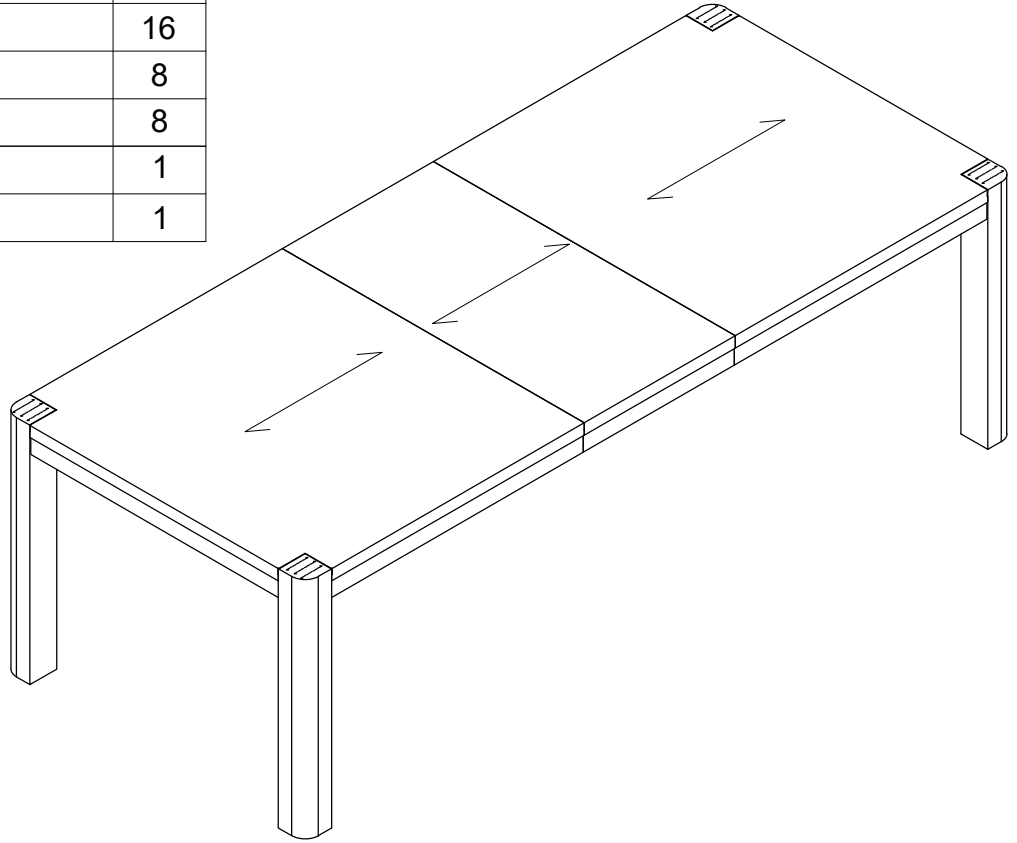


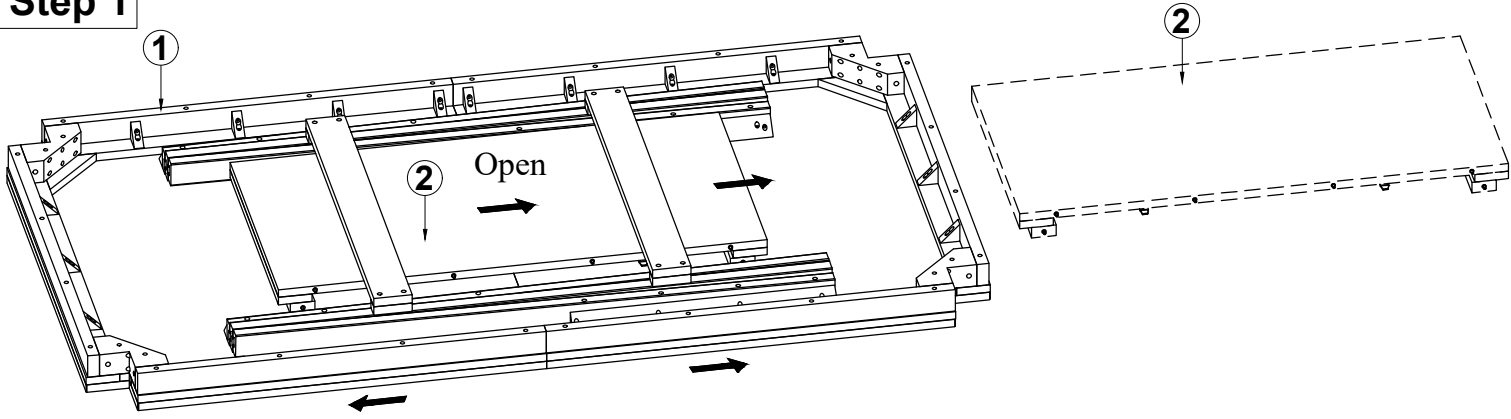
# ASSEMBLY INSTRUCTION FOR MODEL: EXTENSION DINING TABLE

HARDWARE LIST				
A		Flat Washer	M8	16
B		Lock Washer	M8	16
C		Hex Nut	M8	8
D		Bolt	M8	8
E		Wrench	K13	1
F		Allen Wrench	K4	1

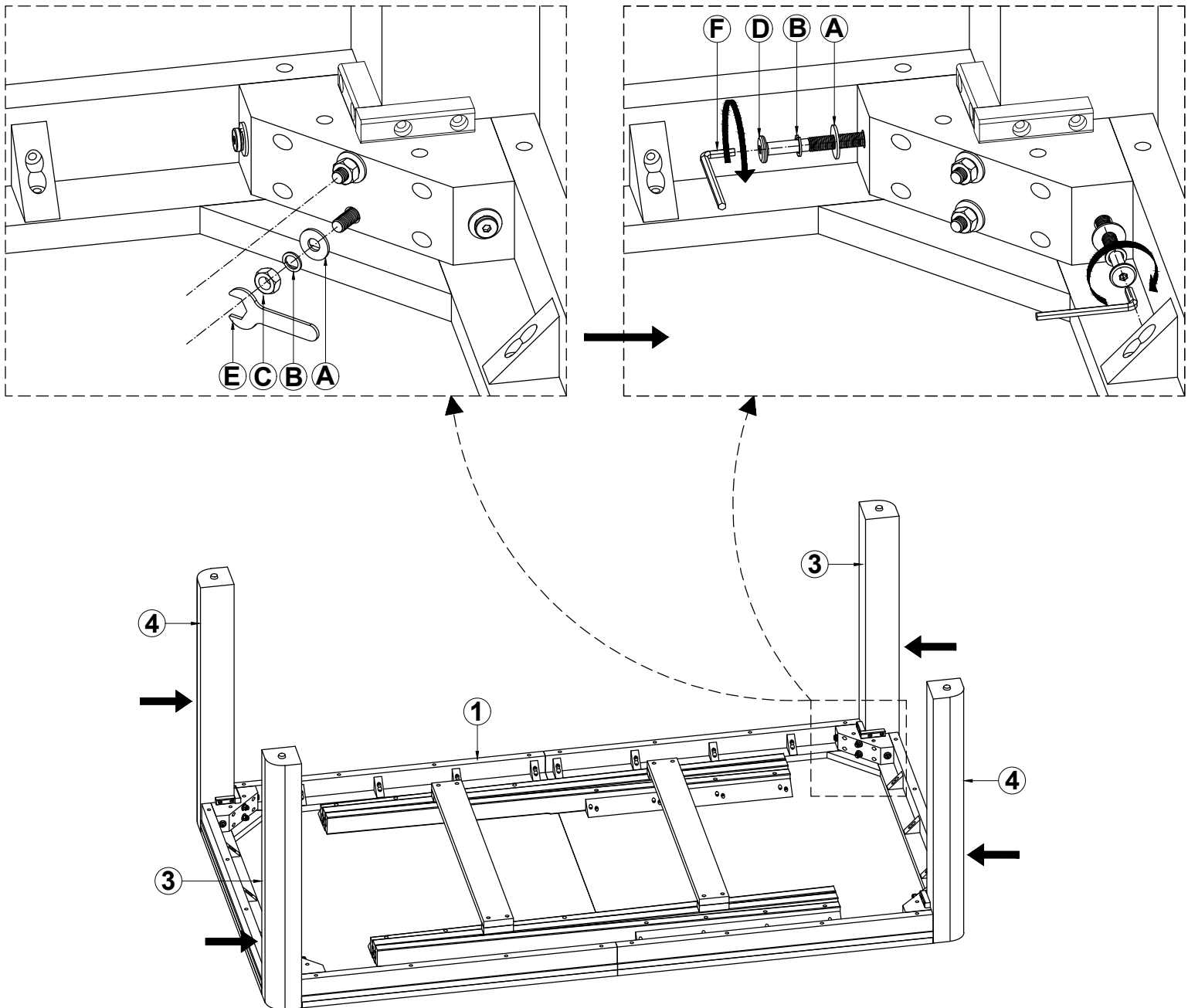


**ASSEMBLY INSTRUCTION FOR  
MODEL: EXTENSION DINING TABLE**

**Step 1**

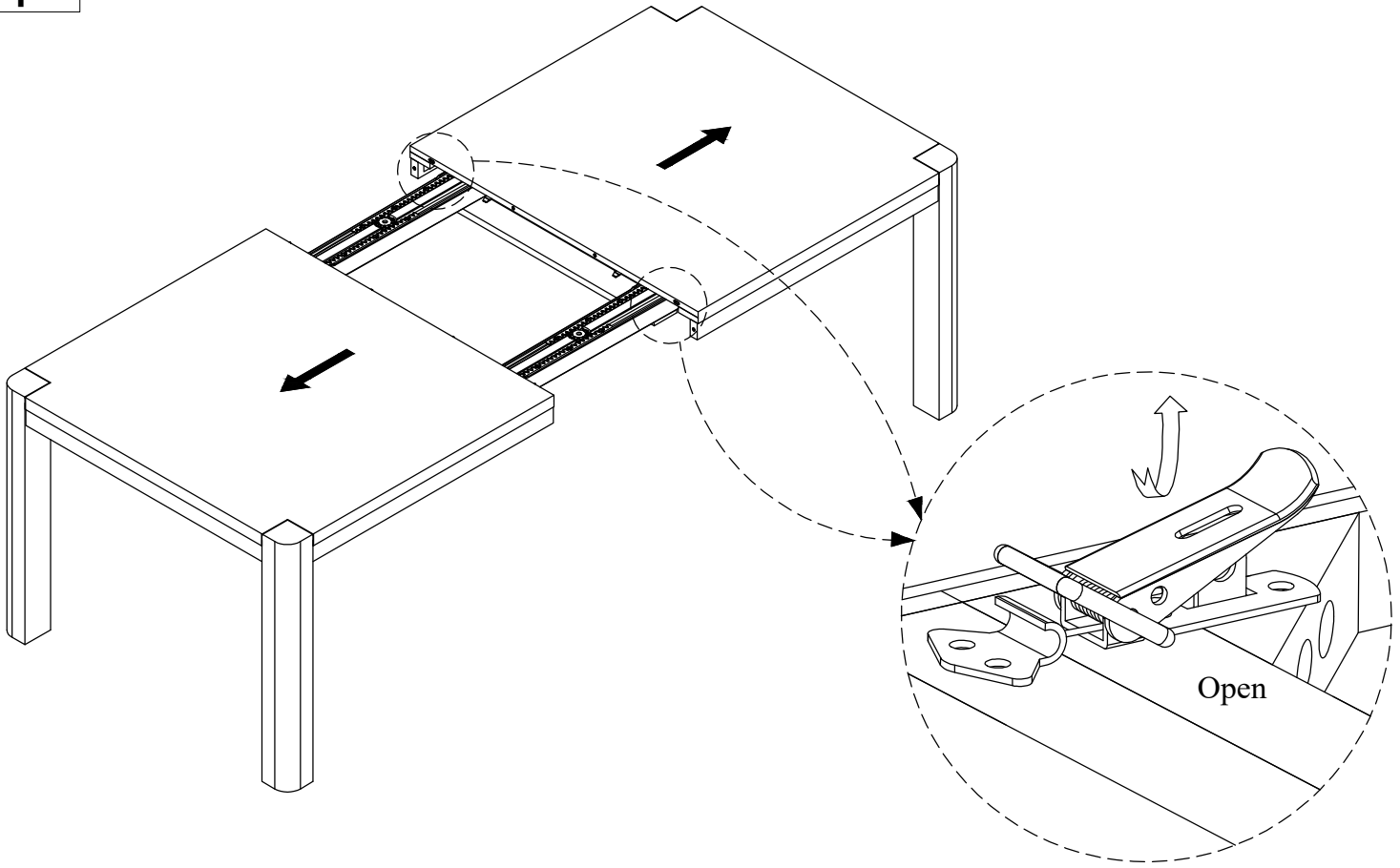


**Step 2**

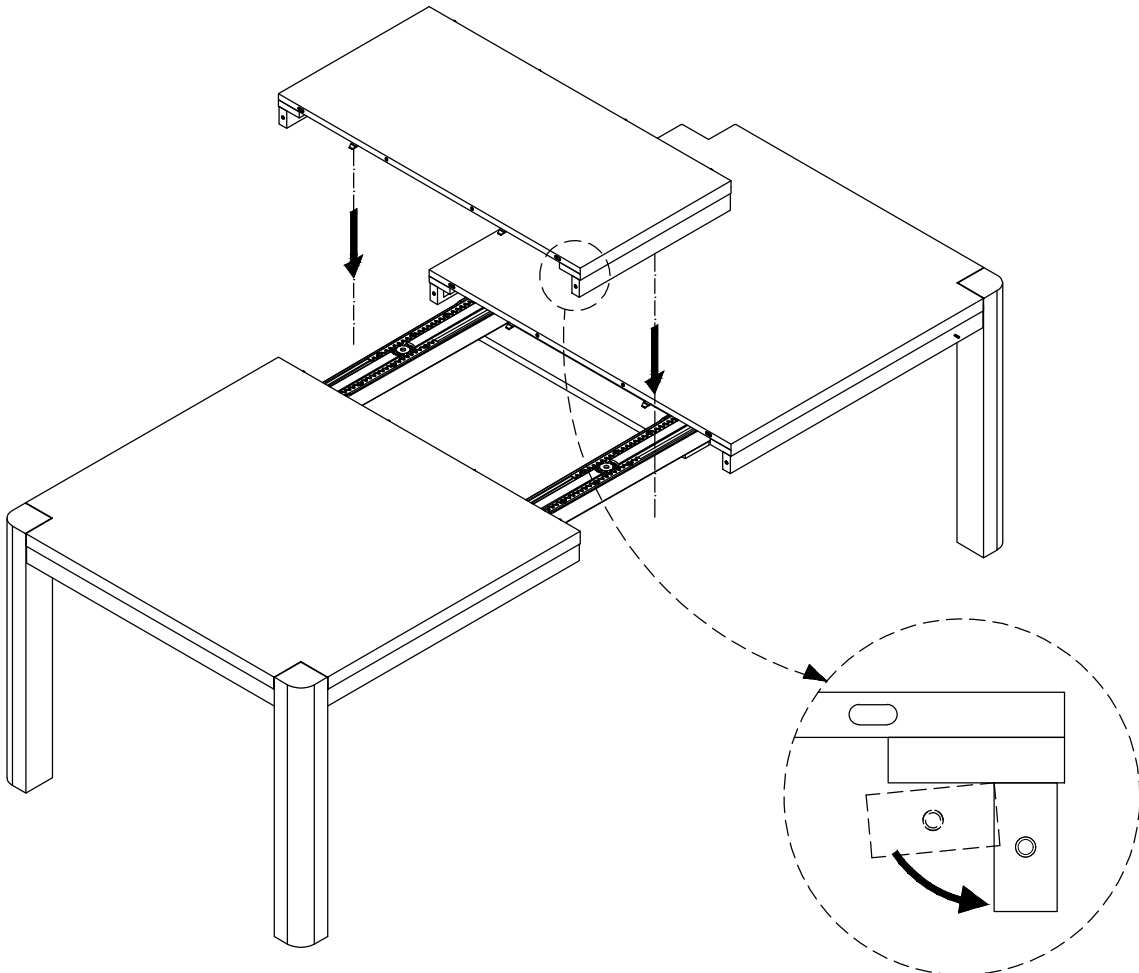


**ASSEMBLY INSTRUCTION FOR  
MODEL: EXTENSION DINING TABLE**

**Step 3**



**Step 4**



**ASSEMBLY INSTRUCTION FOR  
MODEL: EXTENSION DINING TABLE**

**Step 5**

