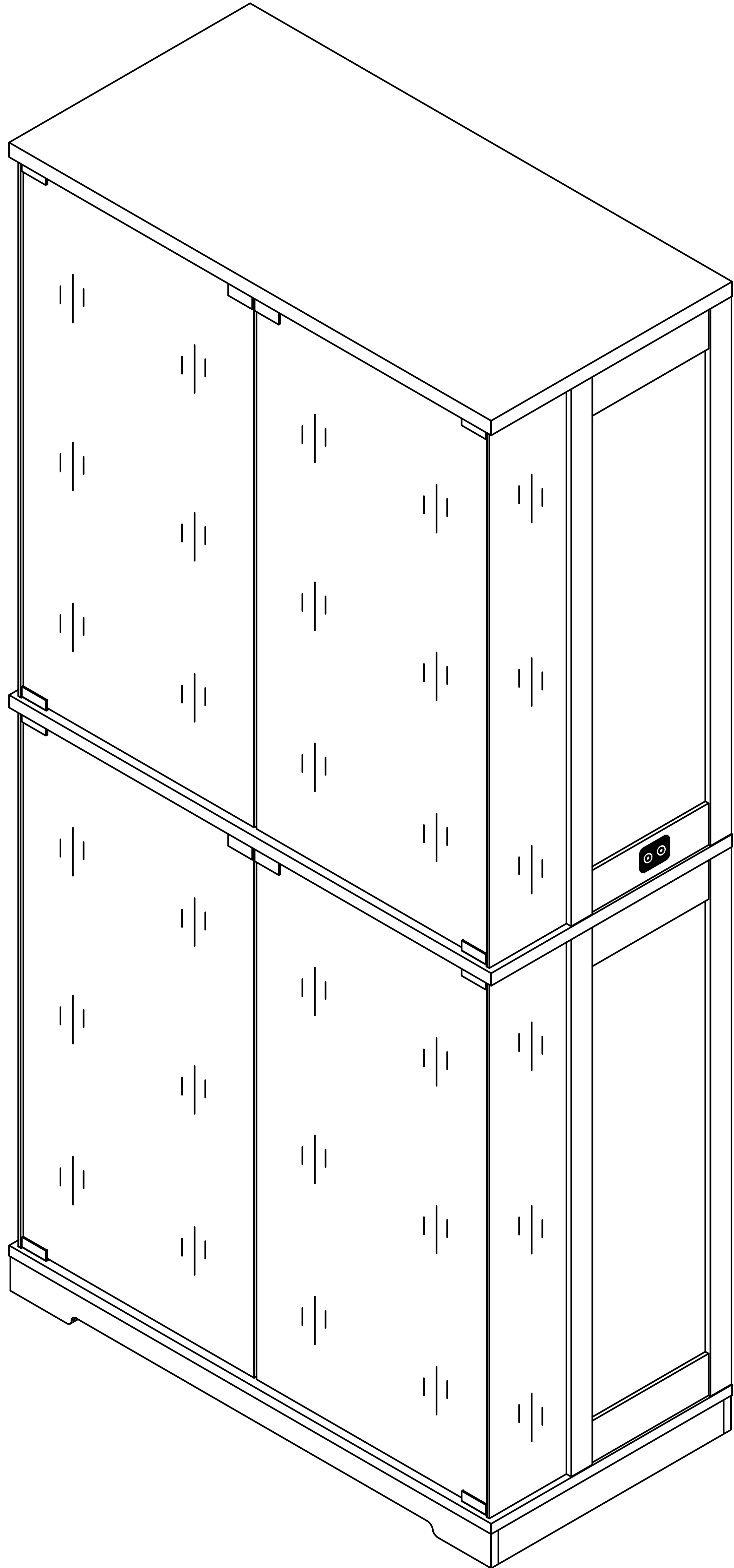
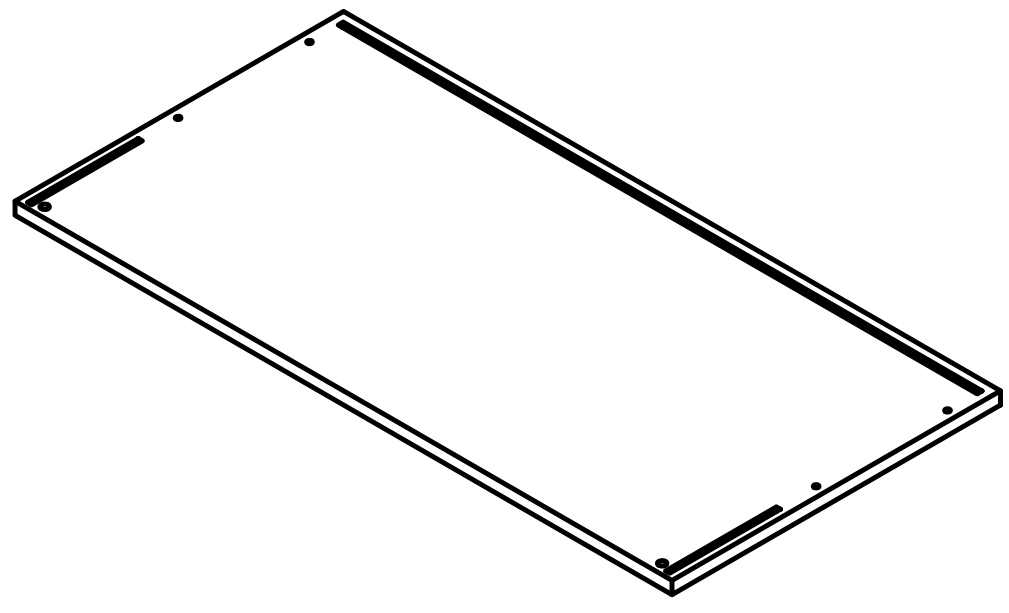
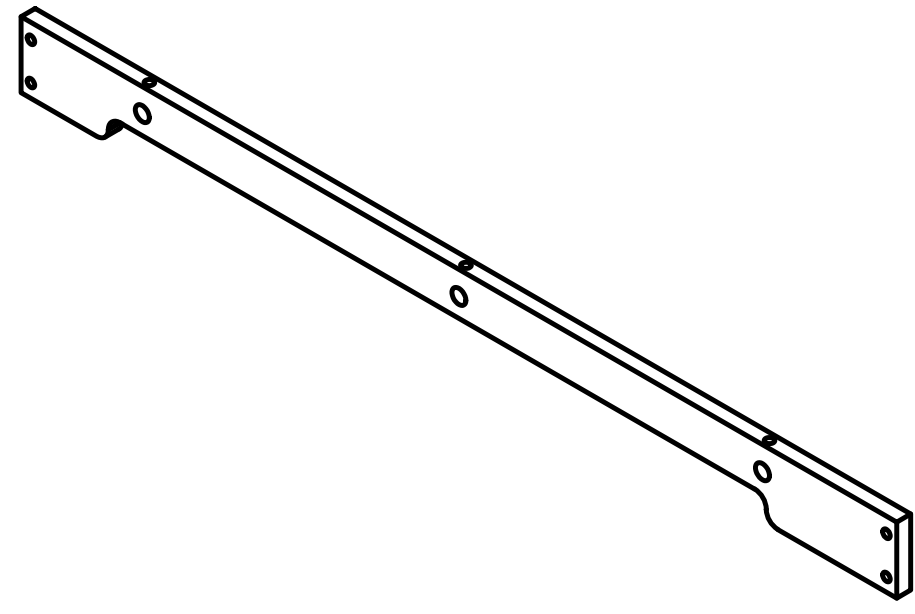


Product Installation Instructions

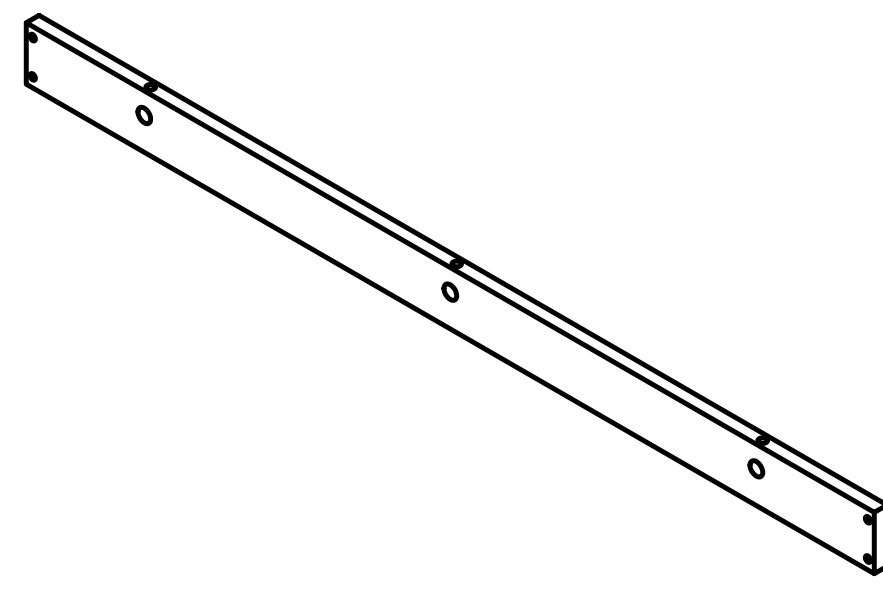




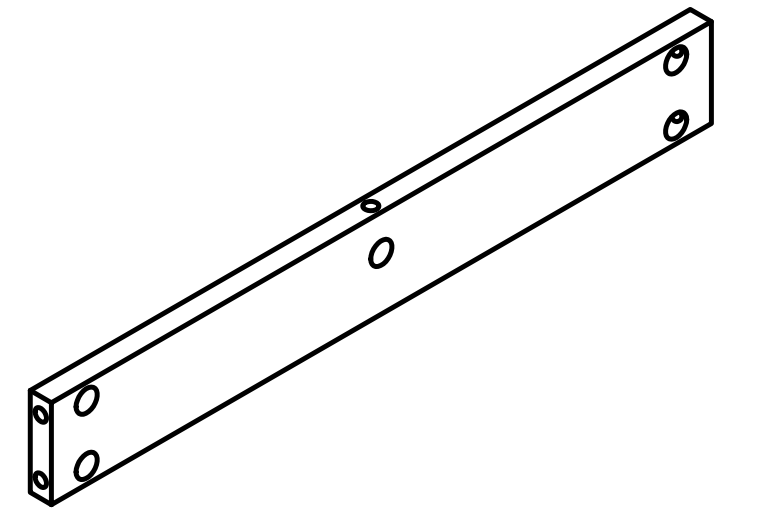
Ax1



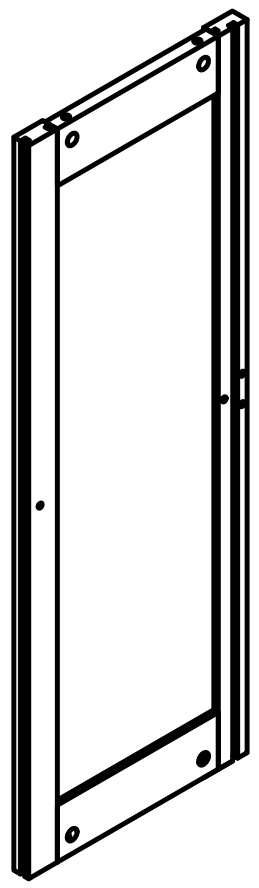
Bx1



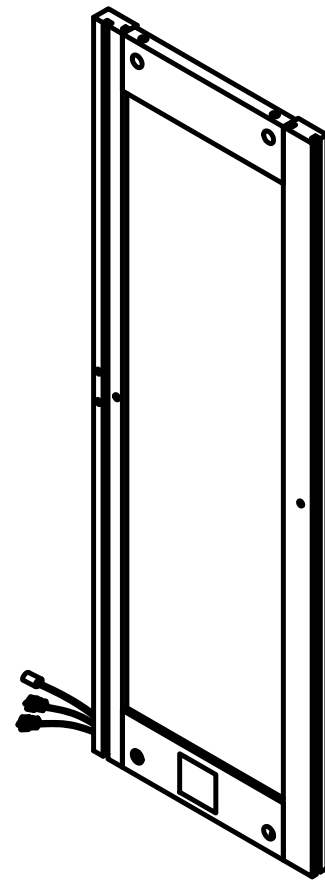
Cx1



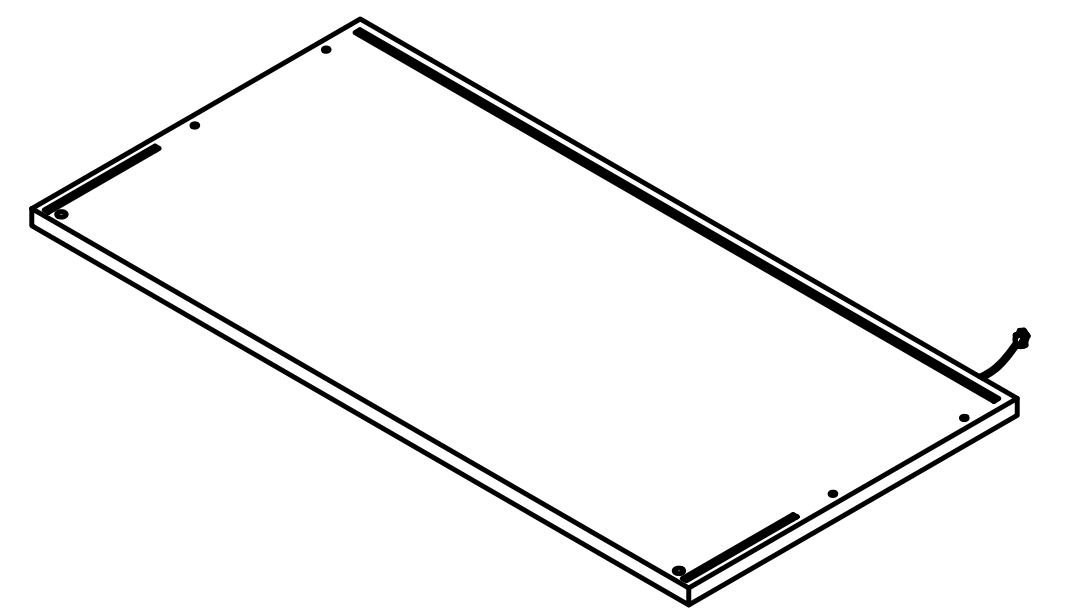
Dx2



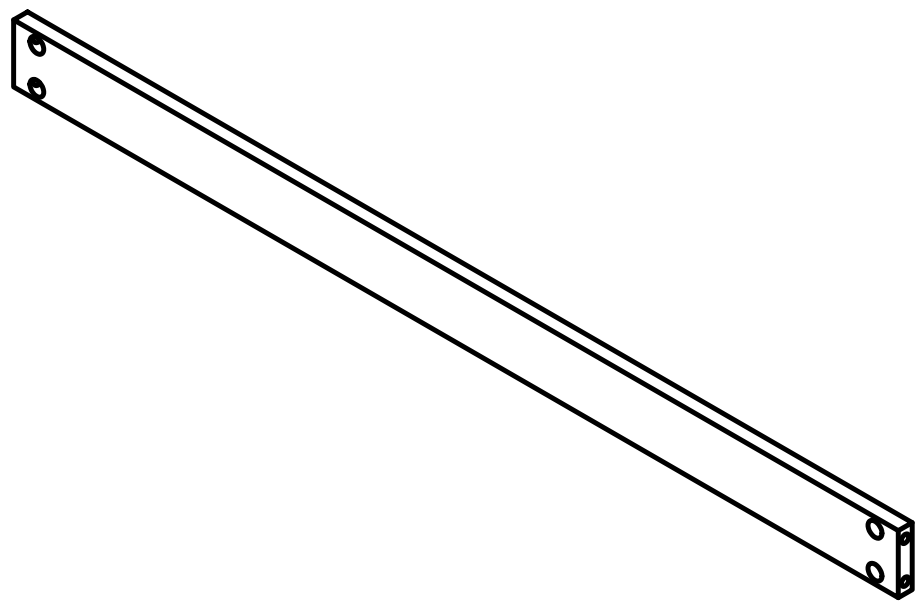
Ex3



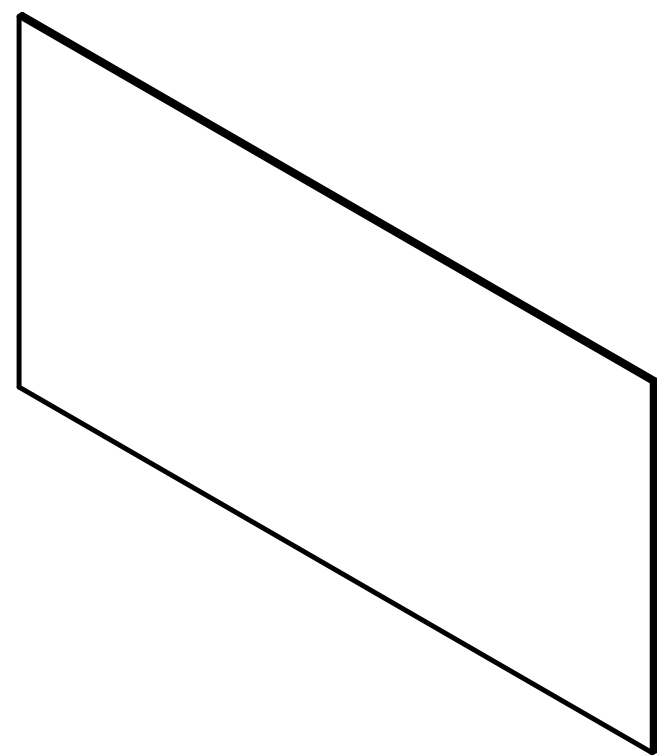
Fx1



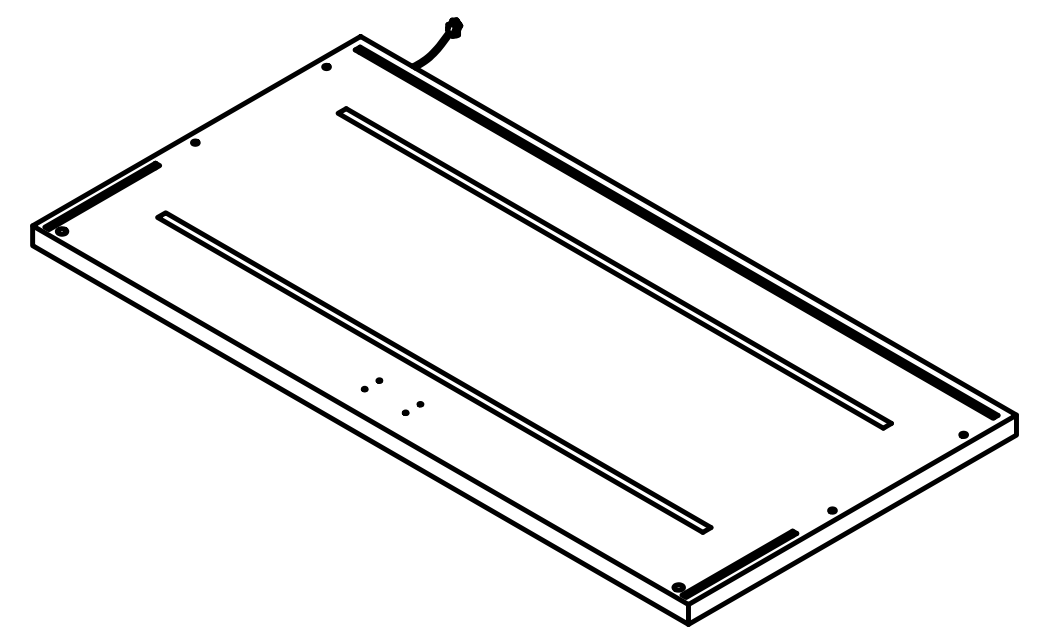
Gx1



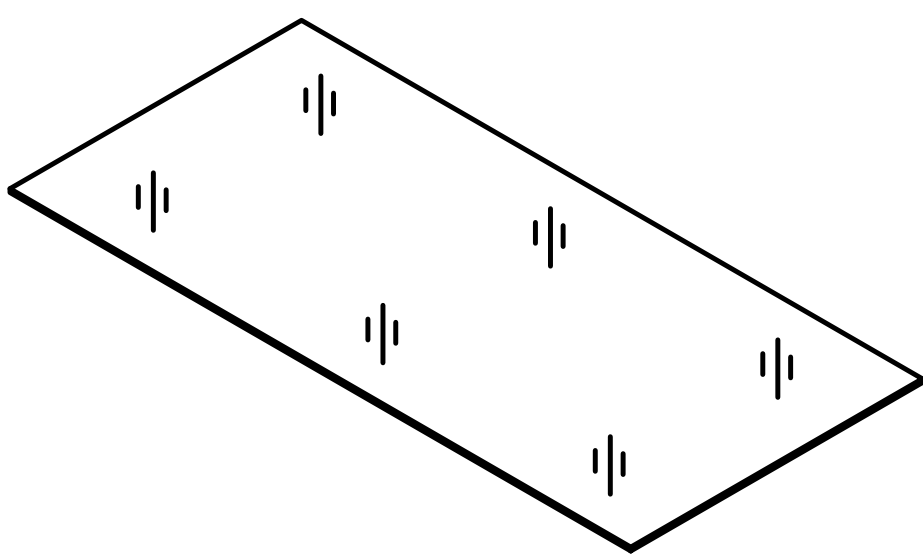
Hx2



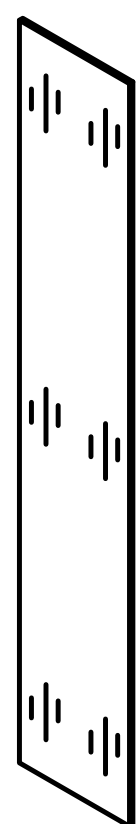
Ix4



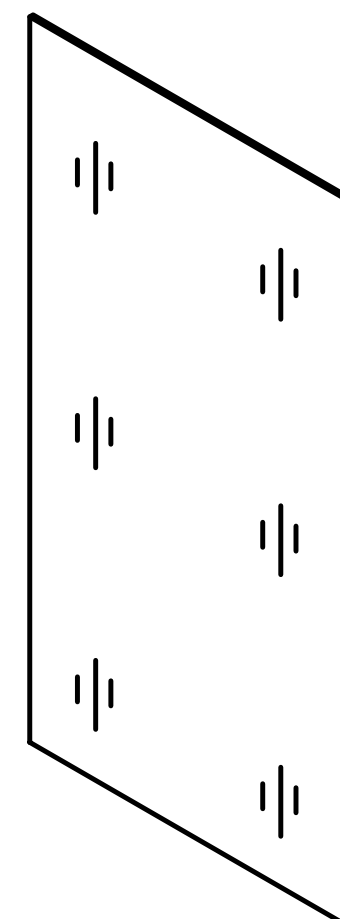
Jx1



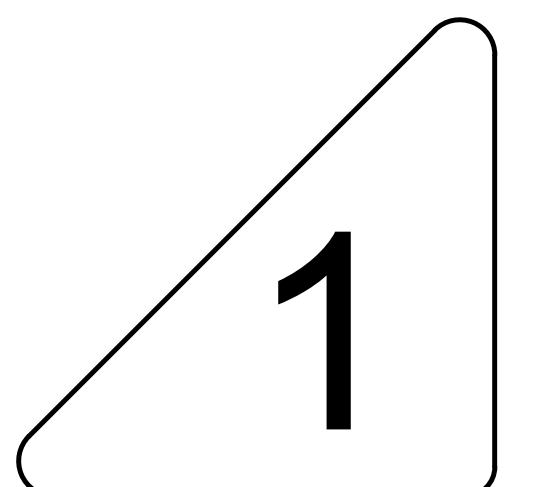
Kx2



Lx4

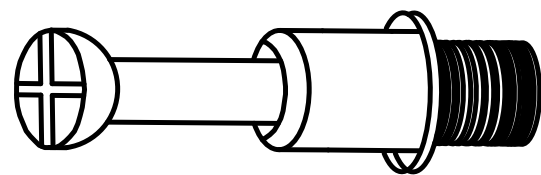
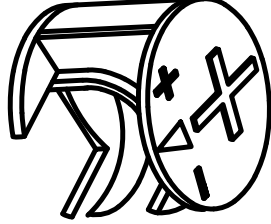

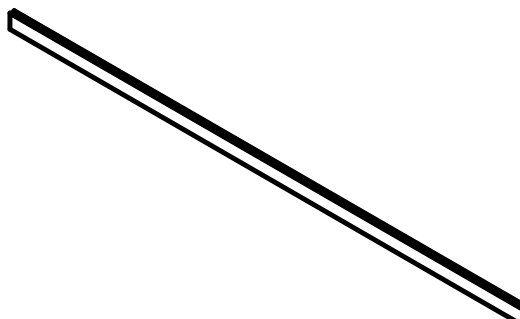
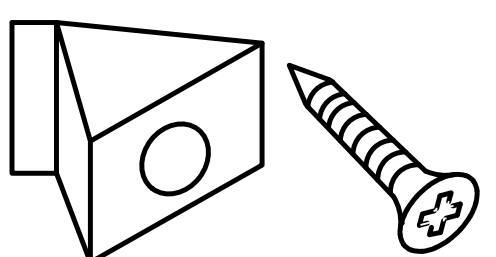
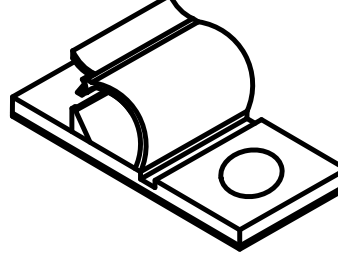
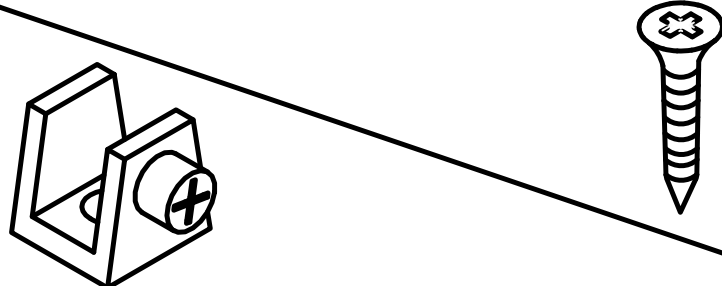
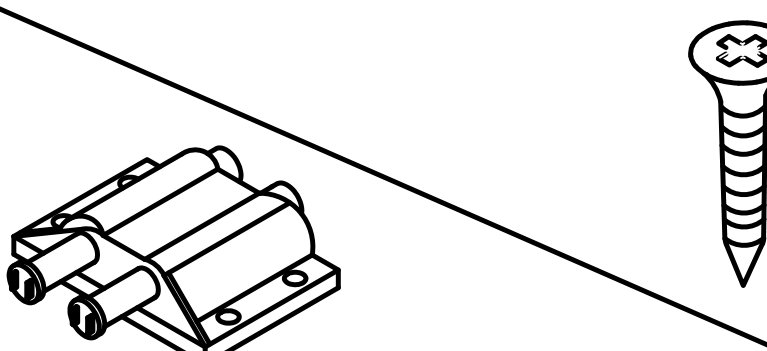
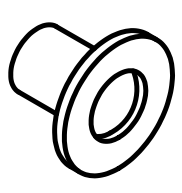
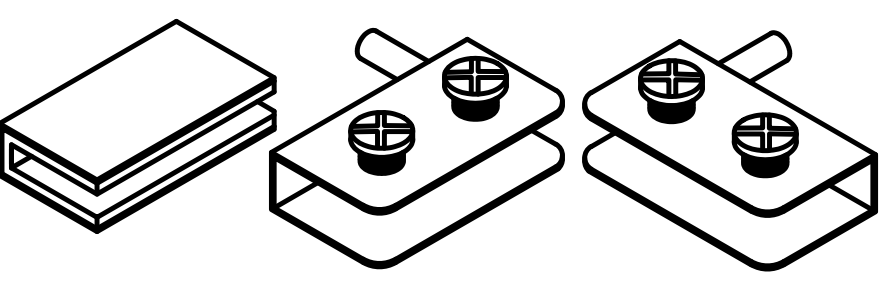
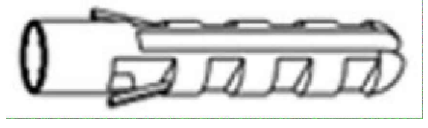
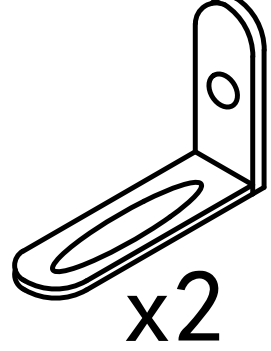
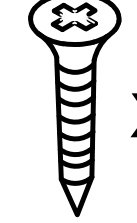
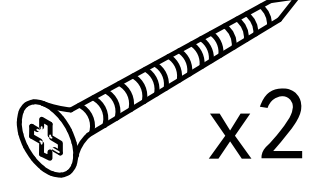

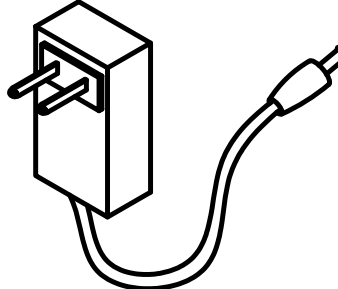


Mx4

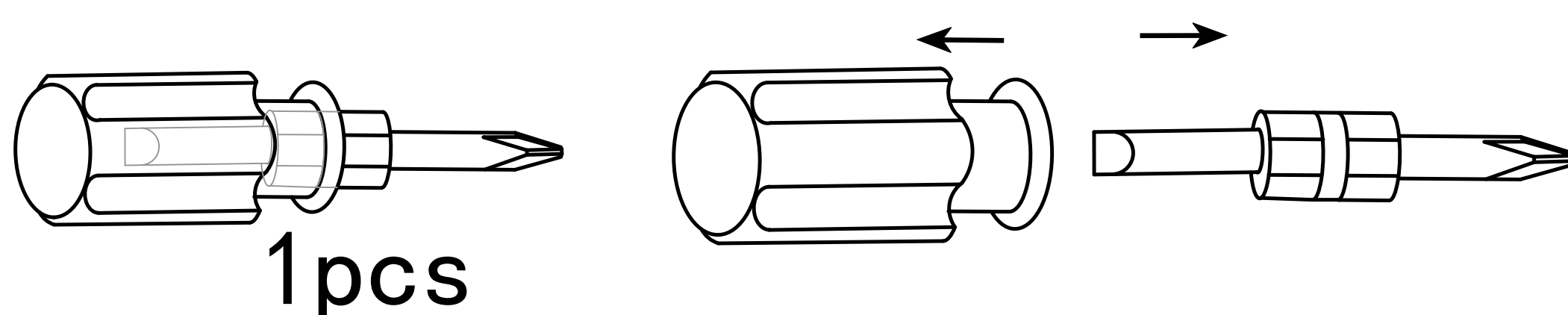


1

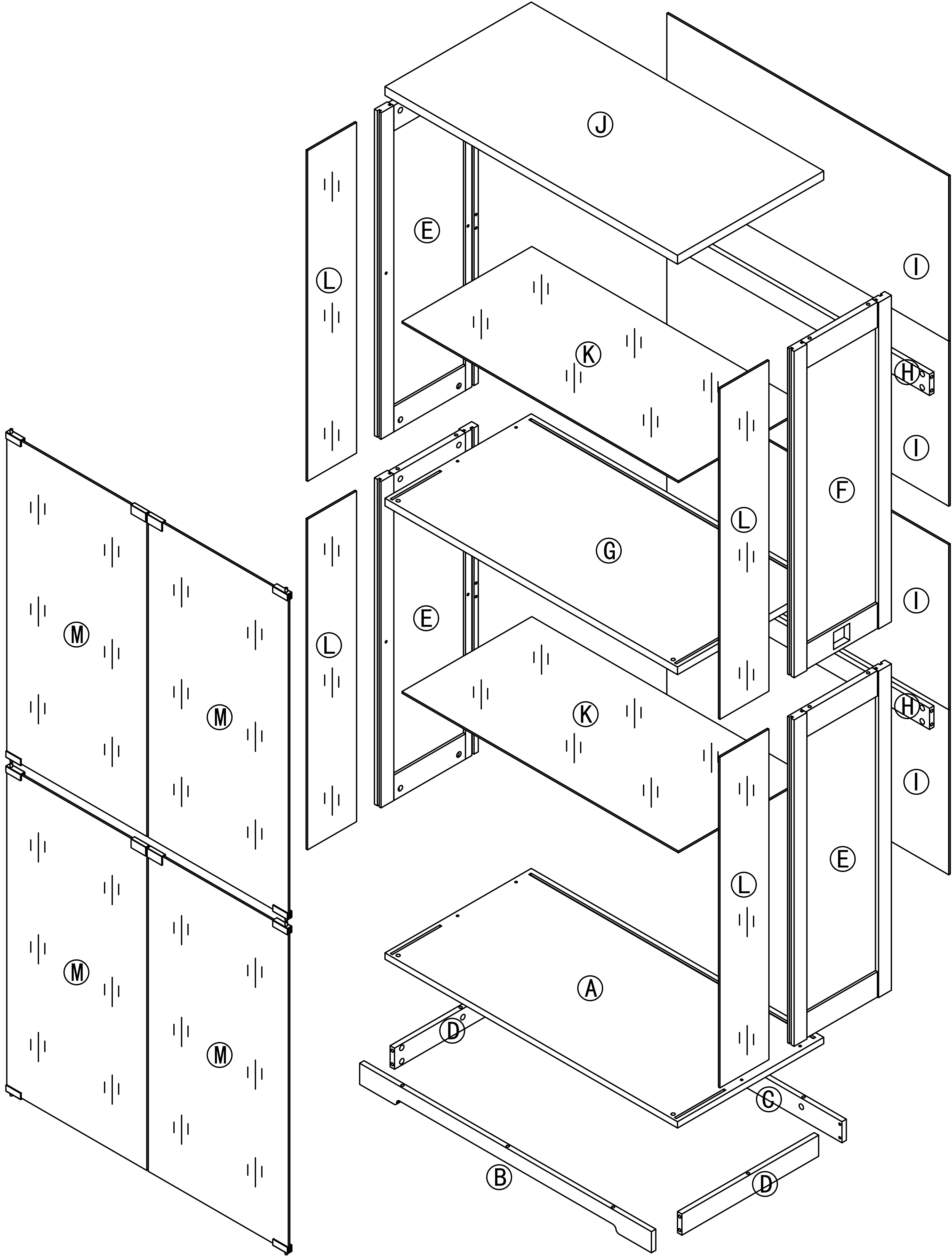
Accessories list

①		Two in one screw (6x28mm)	40pcs +4pcs
②		Two in one nut (10x12mm)	40pcs +4pcs
③		Non-slip pads	6pcs +2pcs
④		Backboard card strip(760mm)	2pcs
⑤		Fixing clip & screw (3x16mm)	24pcs +2pcs
⑥		Wire clamp	3pcs +1pcs
⑦		Laminated clamp & Screw (3x12mm)	8pcs +2pcs
⑧		Rebound device & Screw (3x16mm)	8pcs +2pcs
		Rubber ring	8pcs
		Iron sheet & Hinge	4pcs
⑨	Anti Fall Hardware	 x2  x2  x2 (3.5x14mm)  x2 (4x45mm)  x4	
		AC/DC Adapter (12V==3.0A)	1pcs

Double-head screwdriver, use as required

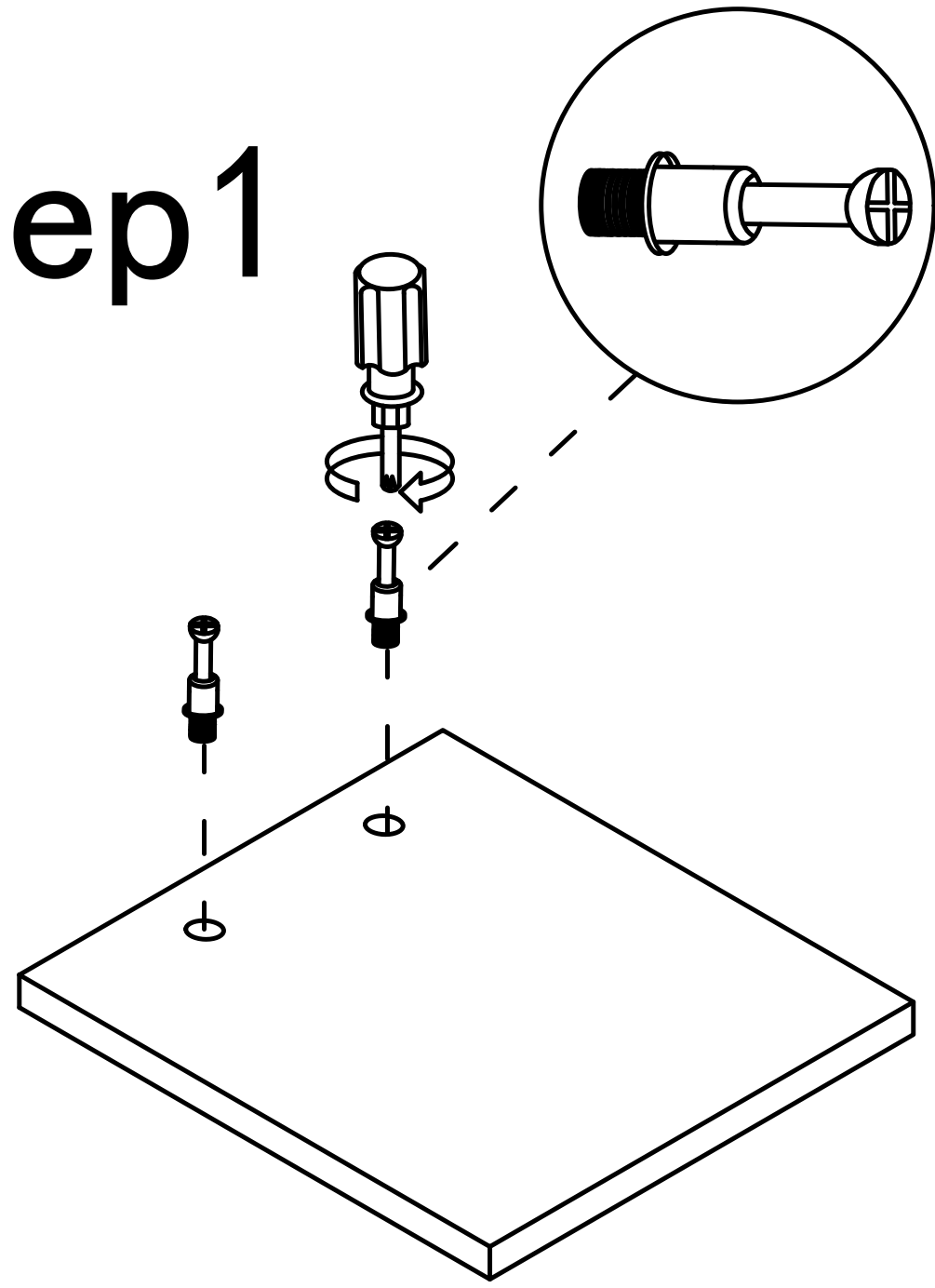


Product structure decomposition

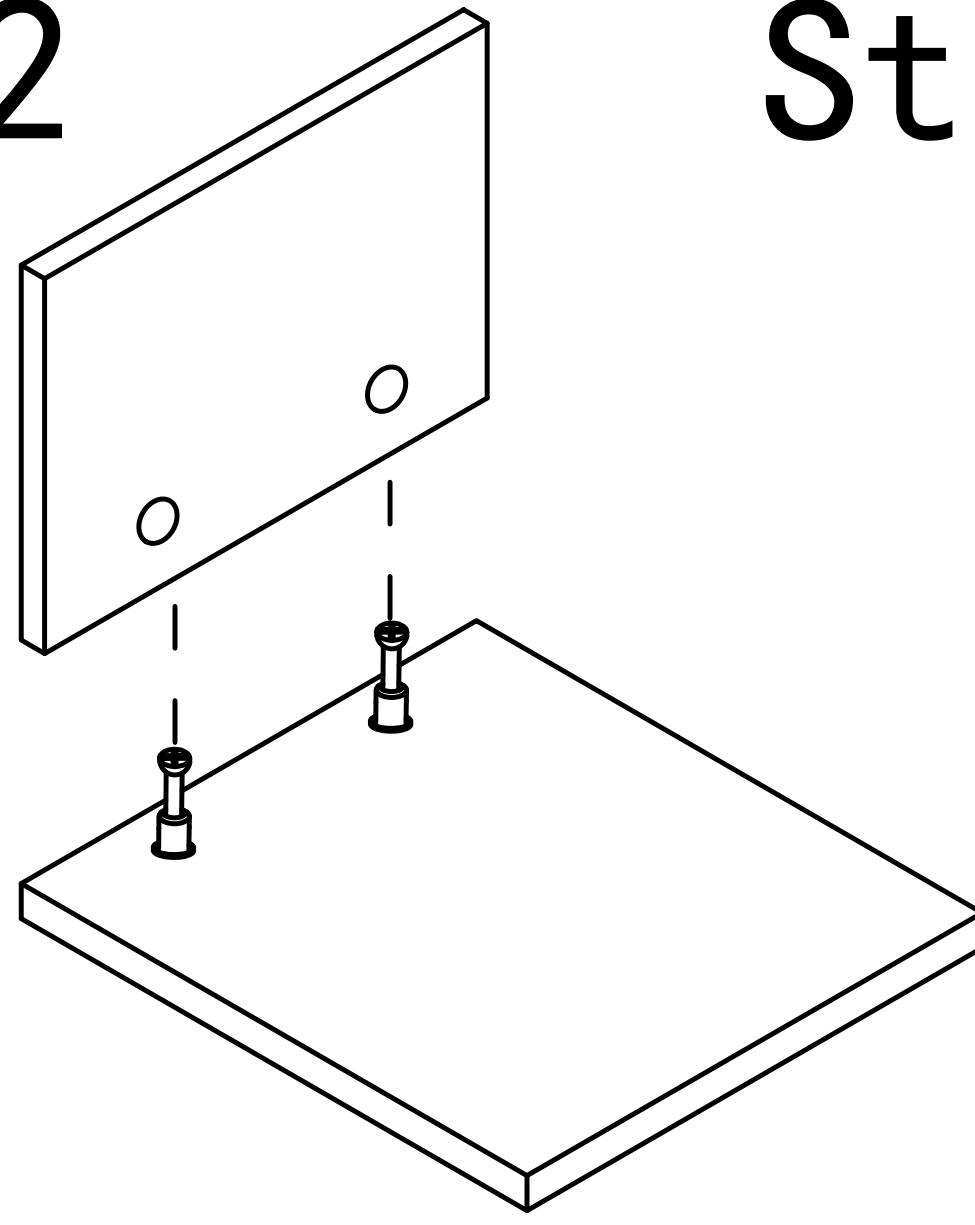


Use parts ① and ②

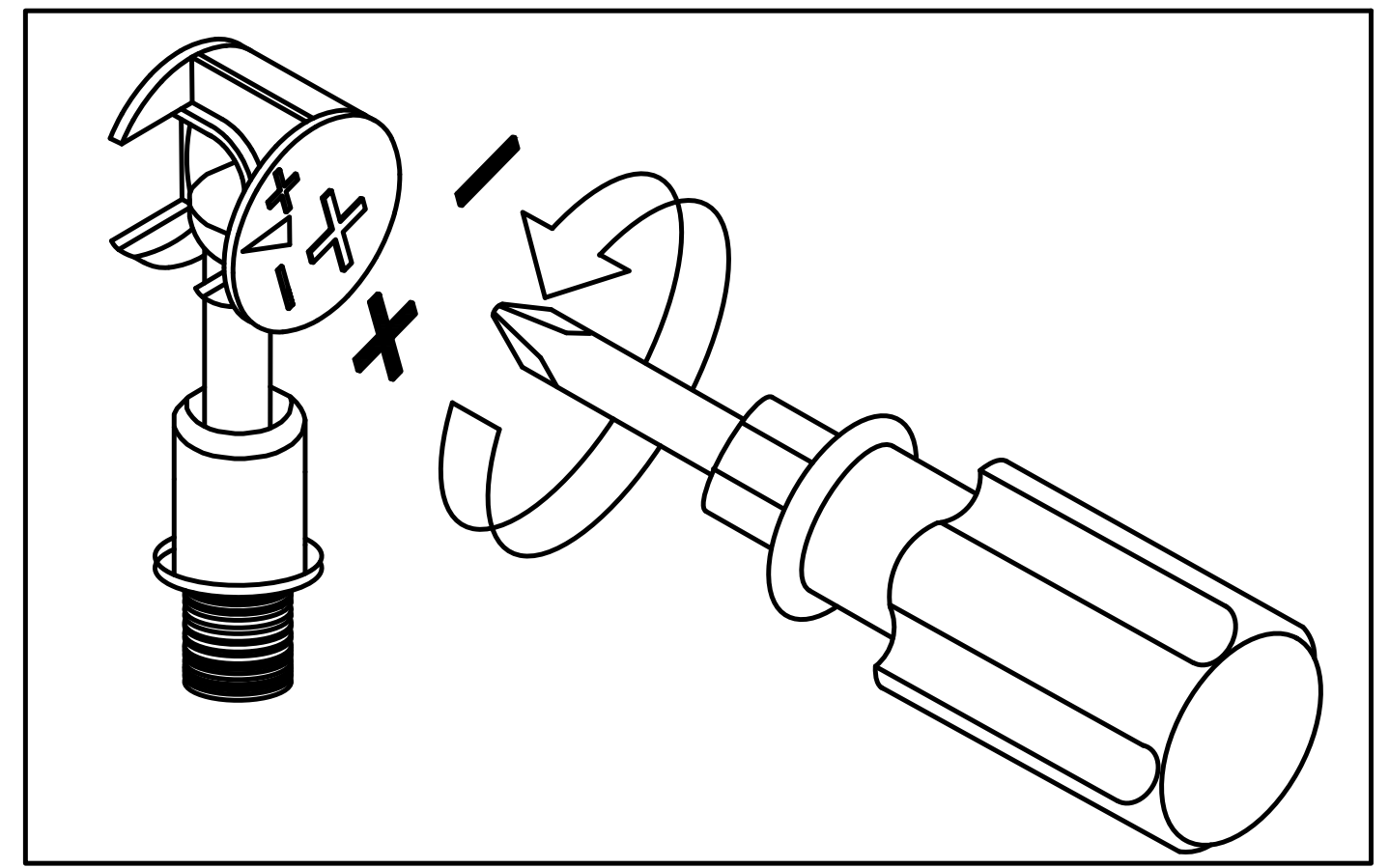
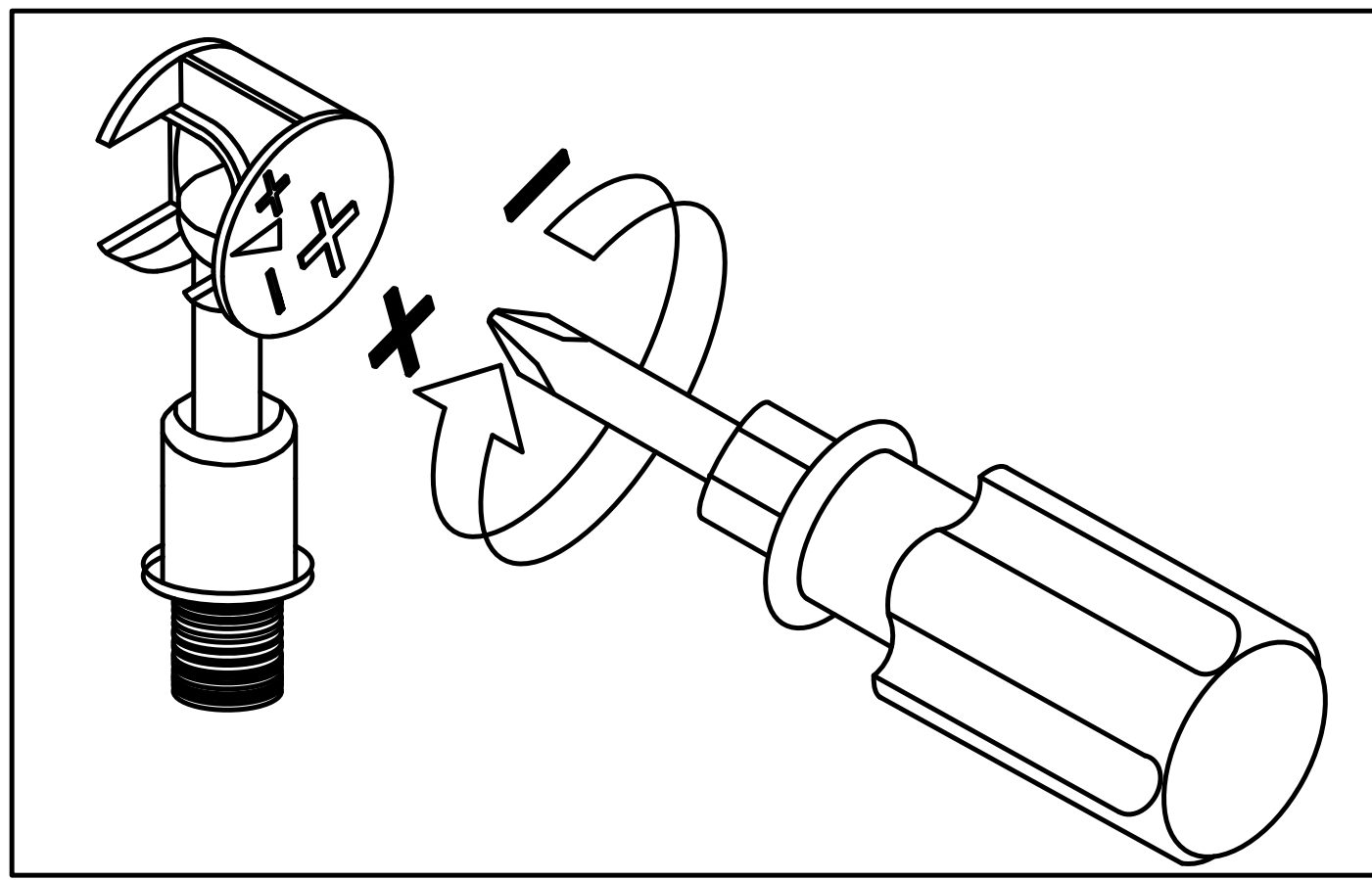
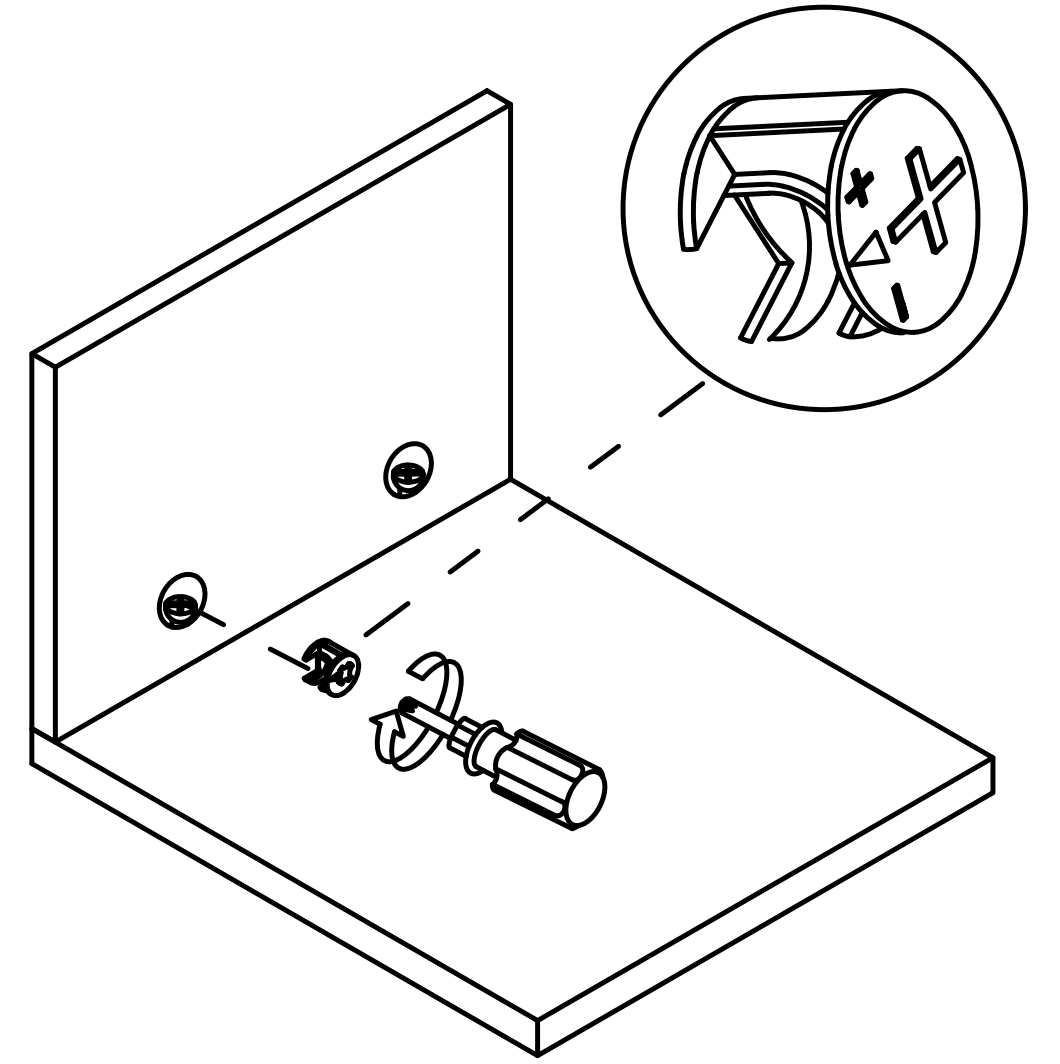
Step 1



Step 2



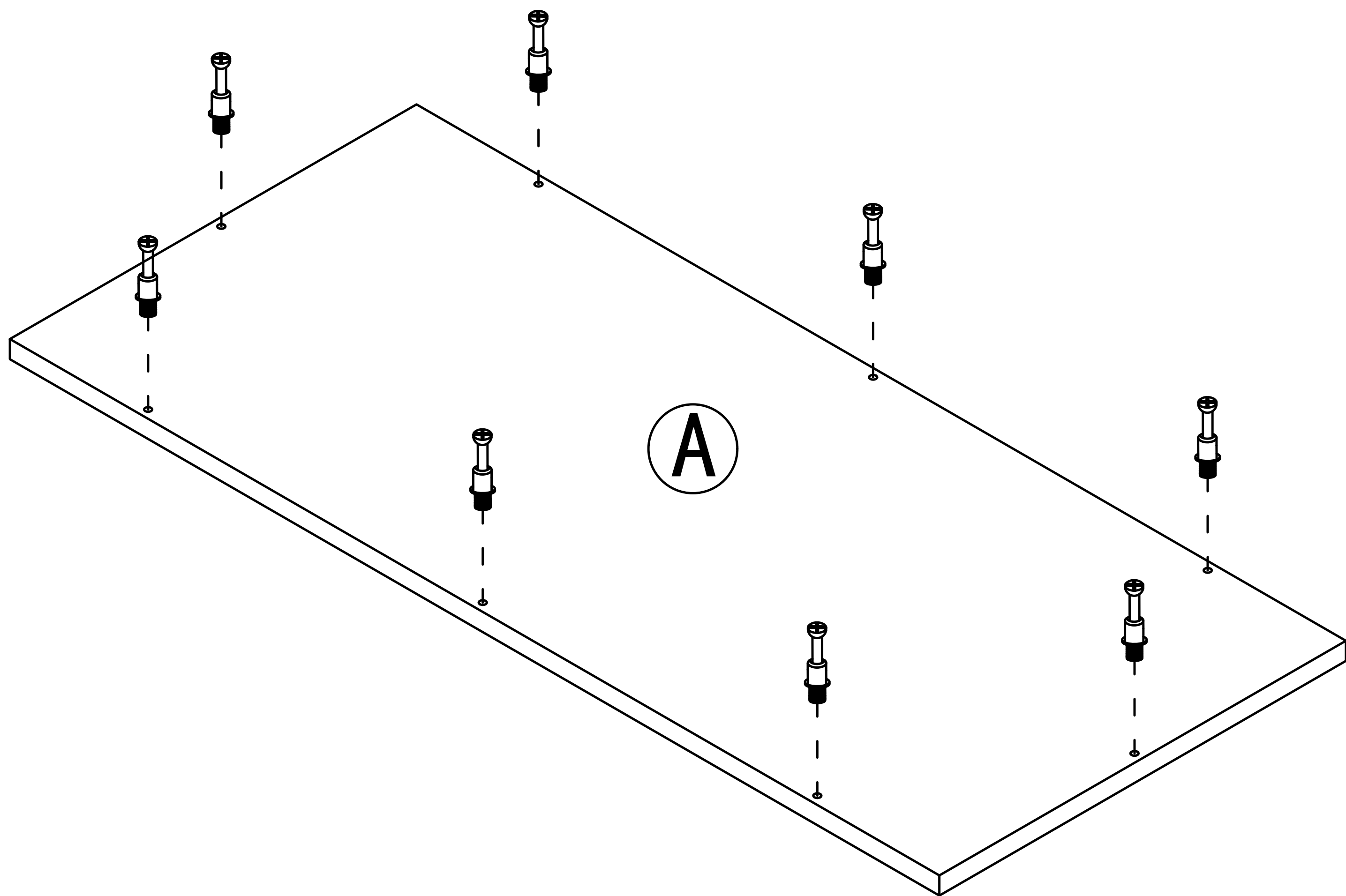
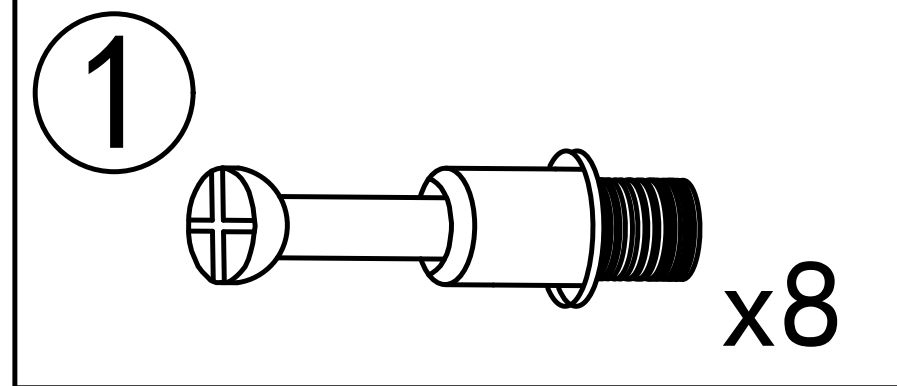
Step 3



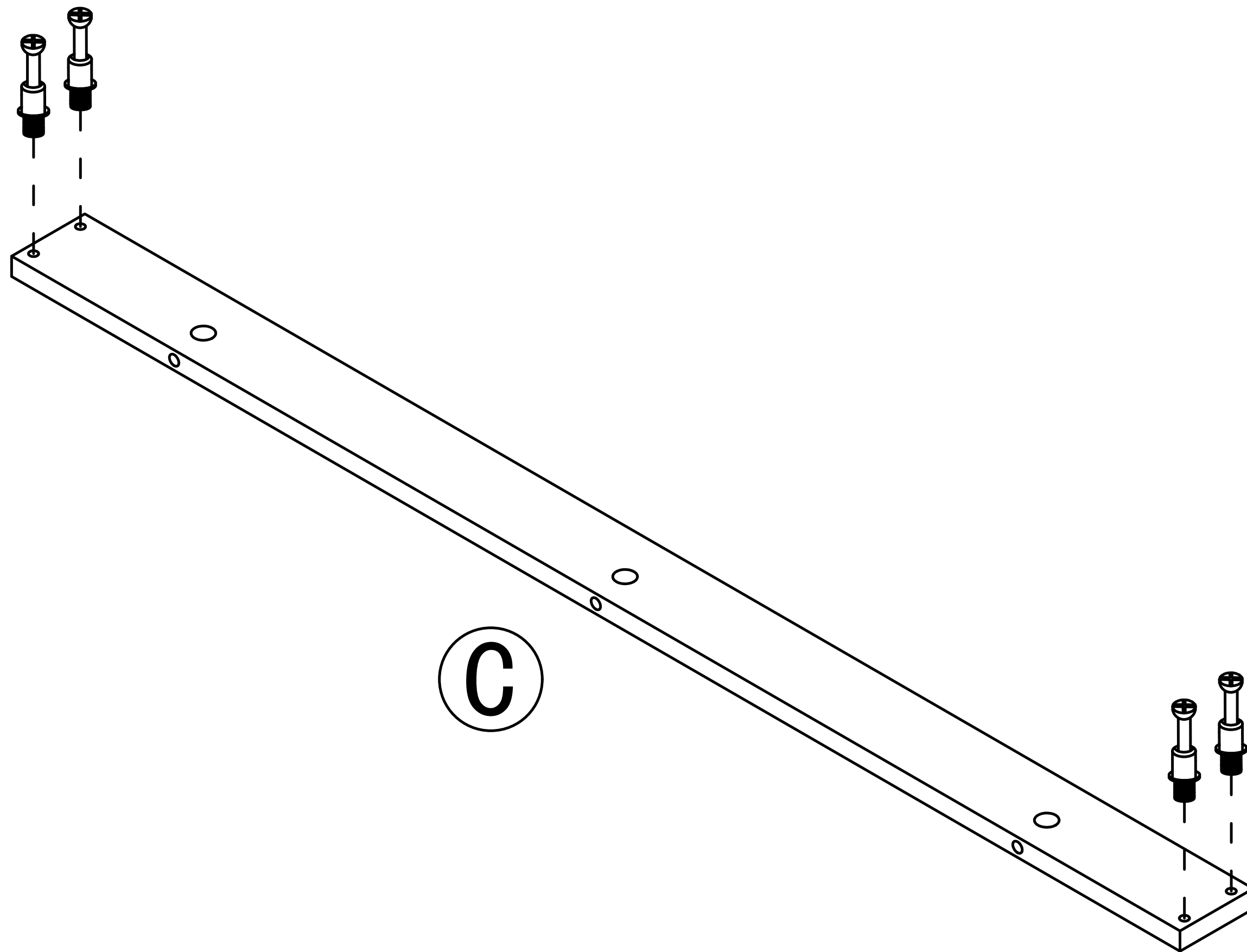
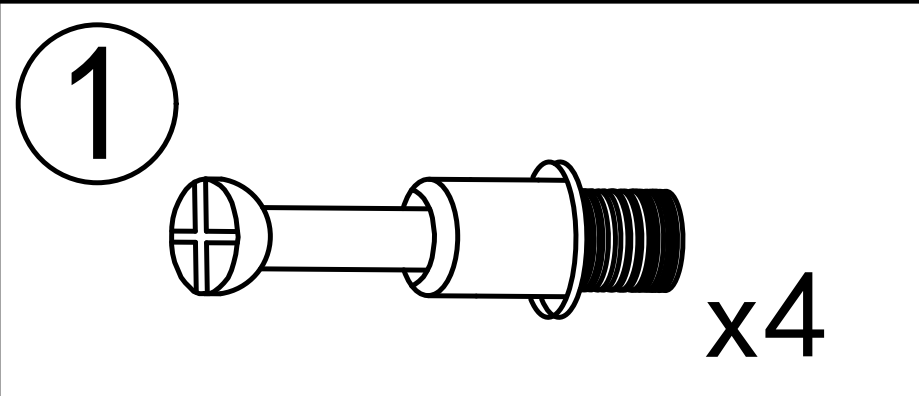
Use a screwdriver to lock in the direction of the "+" sign

Disassemble along the direction of "-" sign

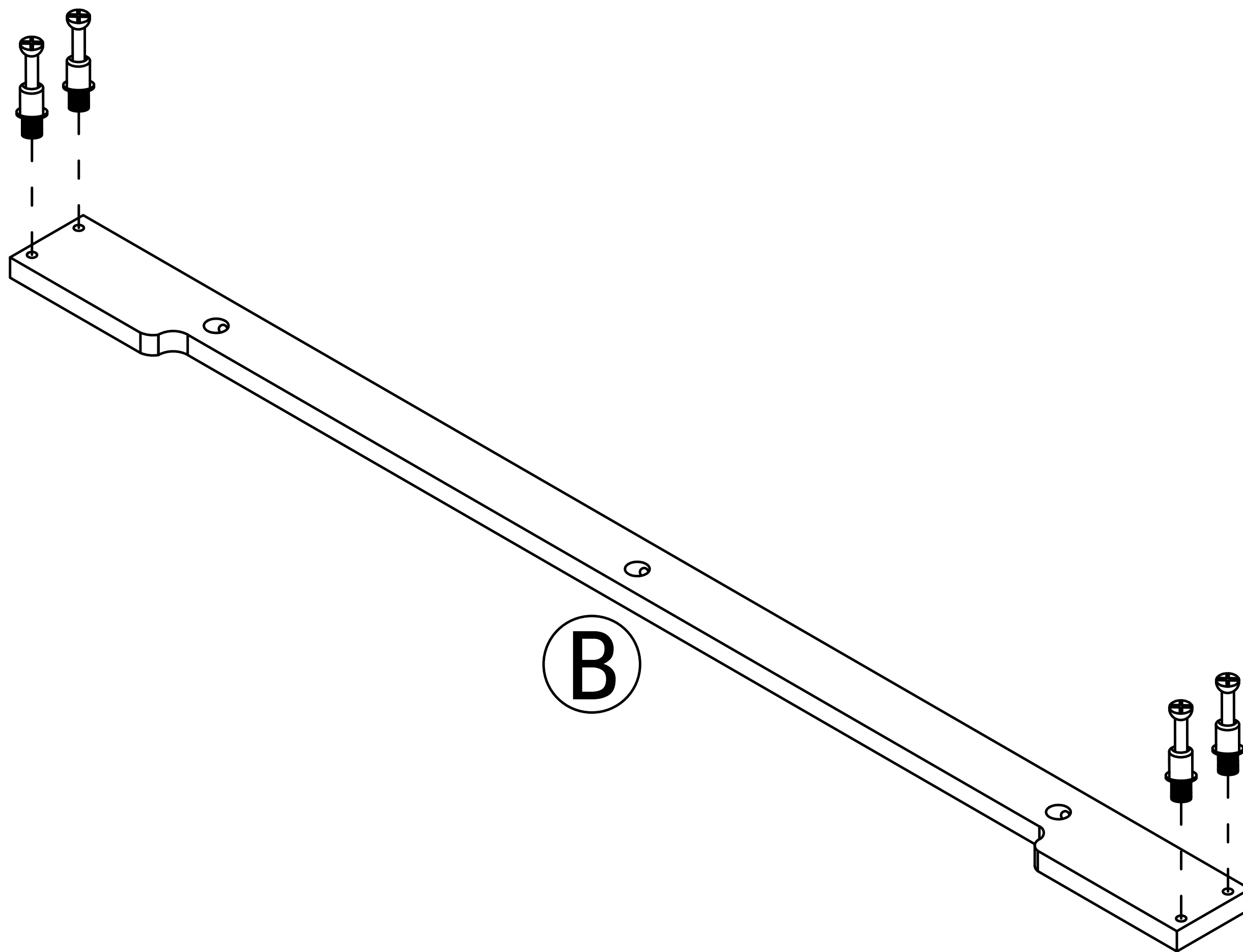
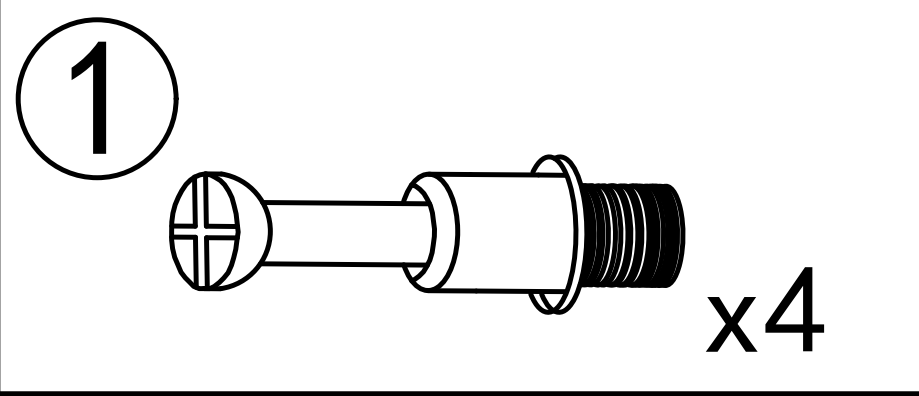
Step 1



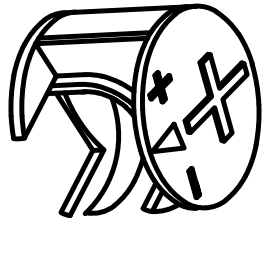
Step 2

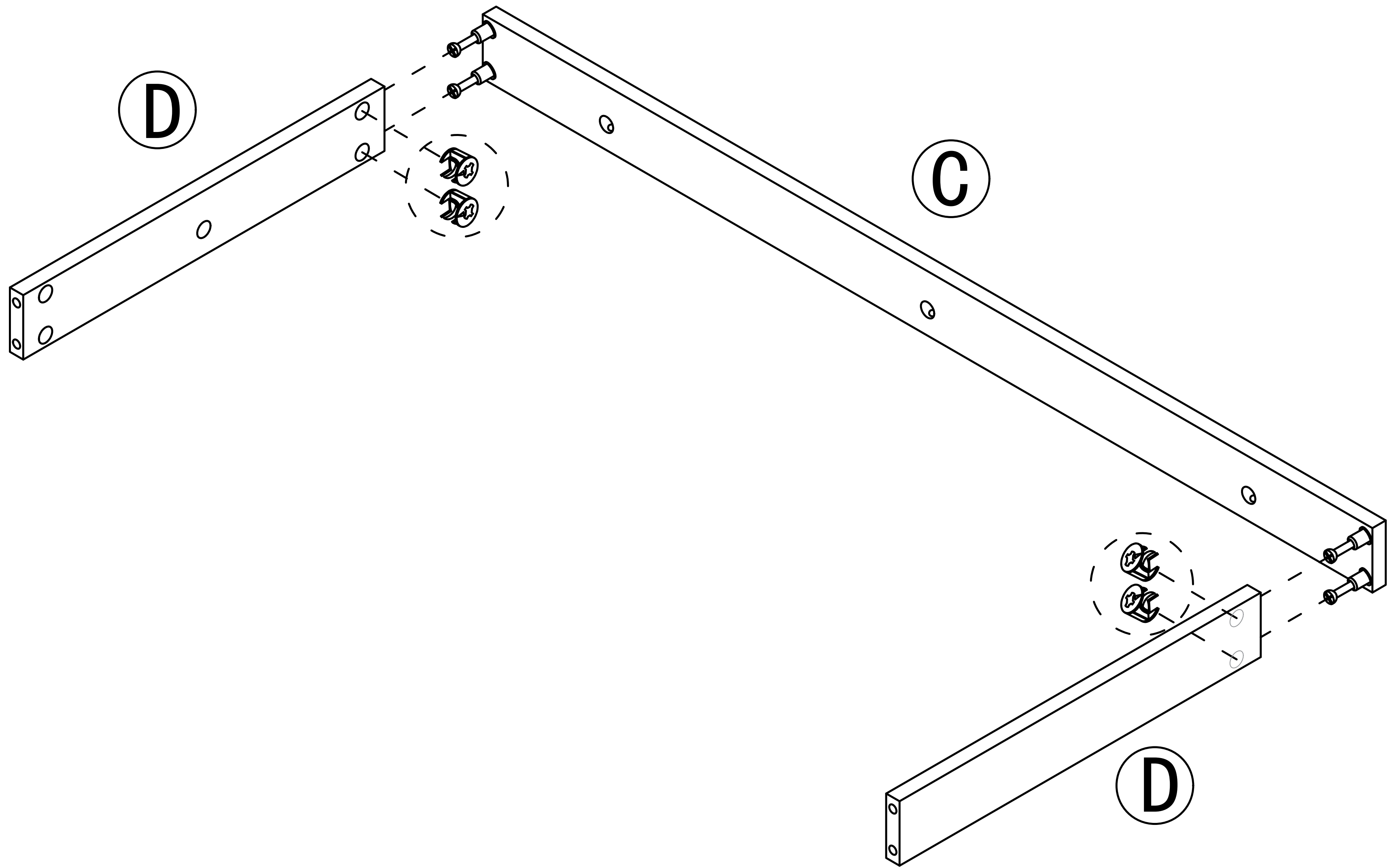


Step 3

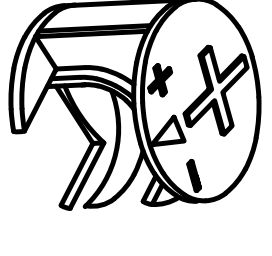


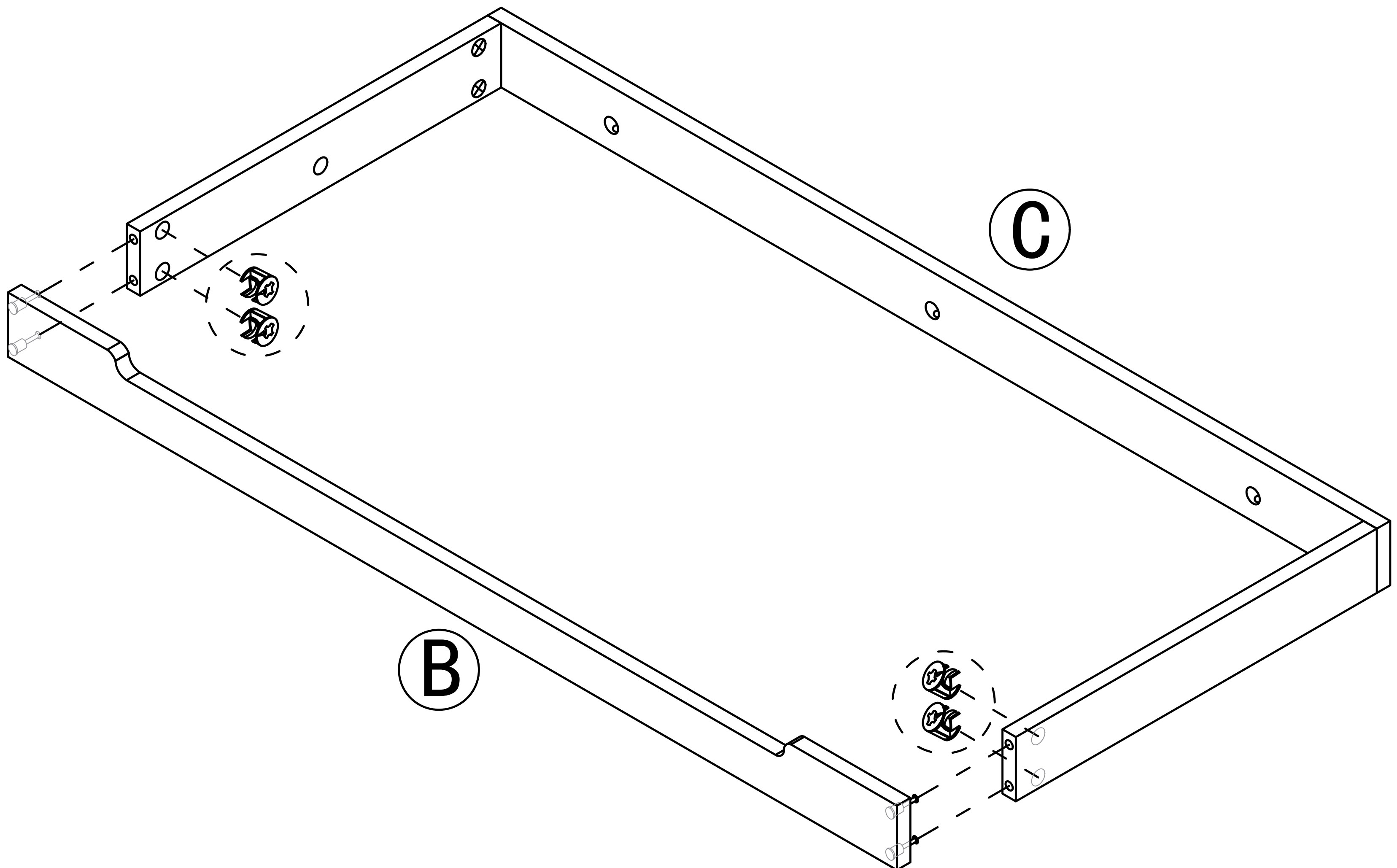
Step 4

②  x4



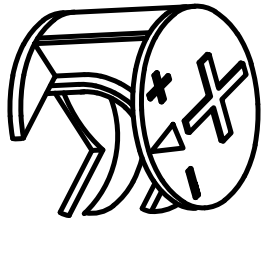
Step 5

②  x4

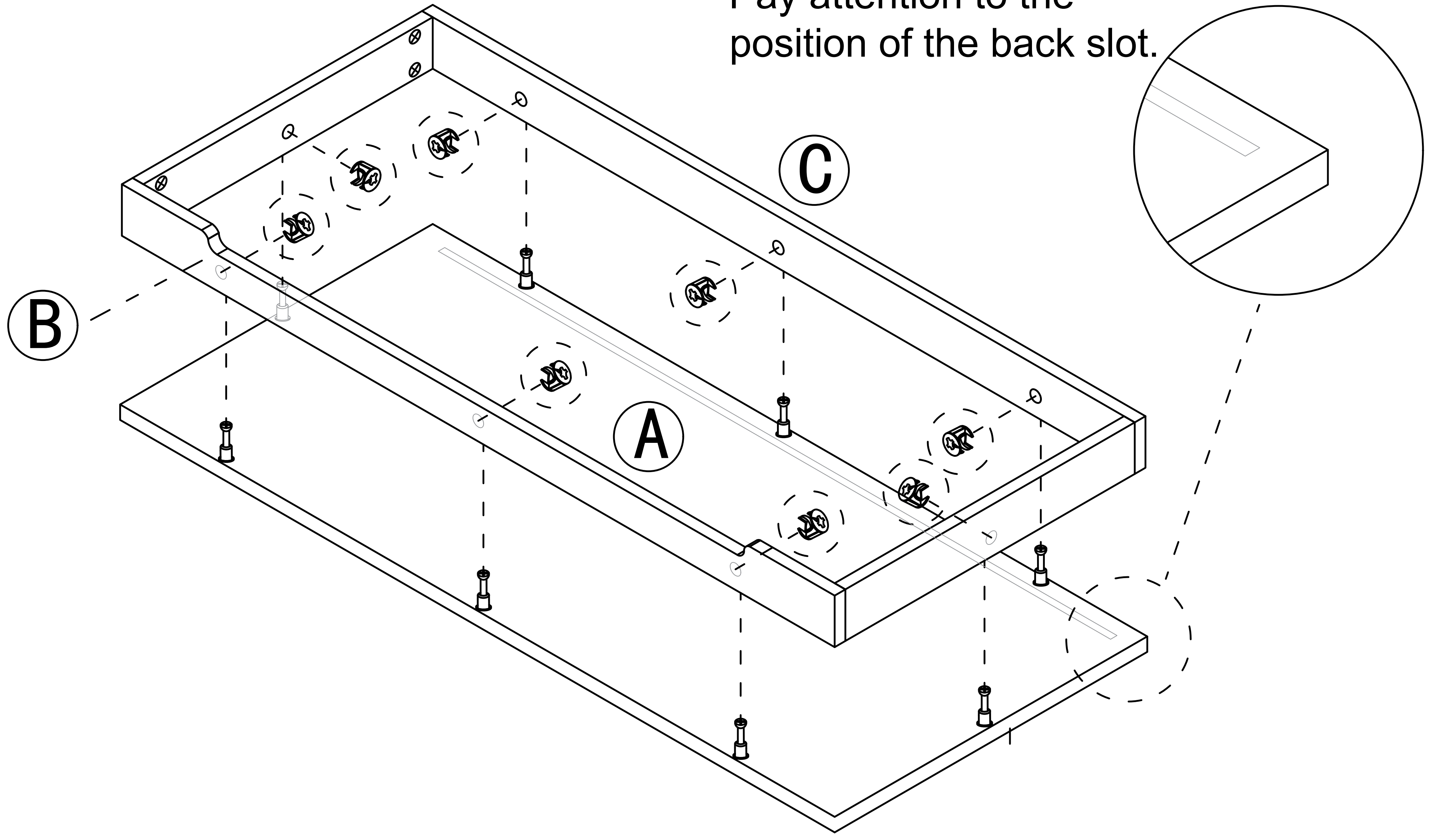


6

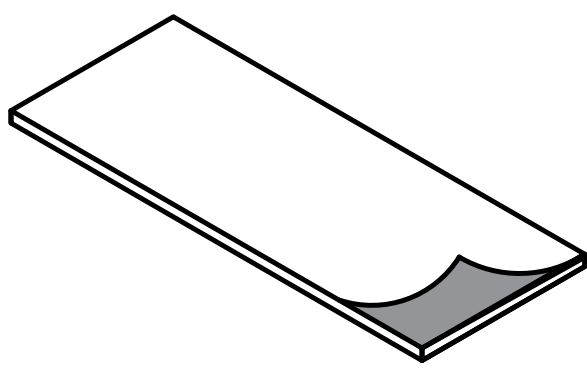
Step 6

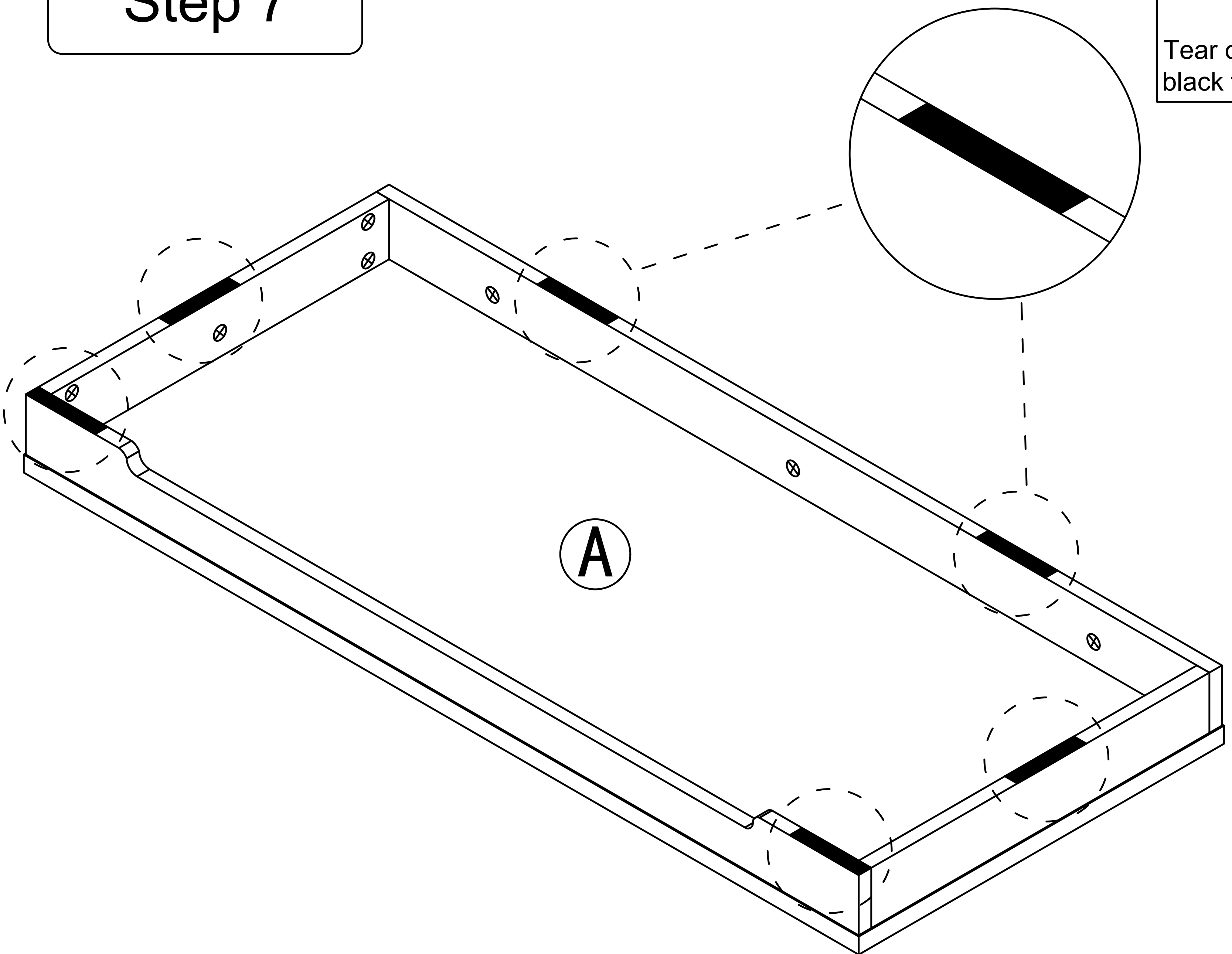
②  x8

Pay attention to the position of the back slot.

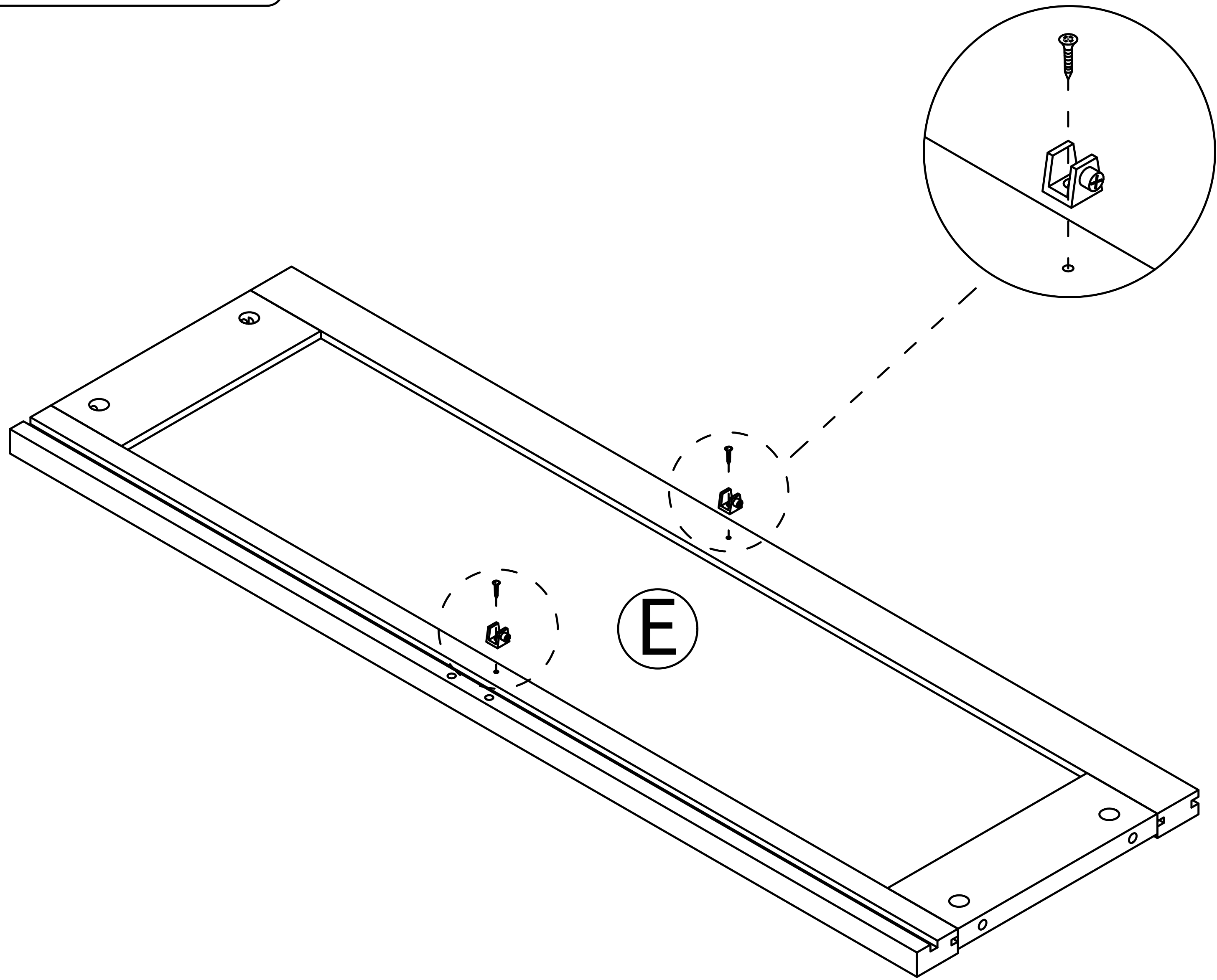
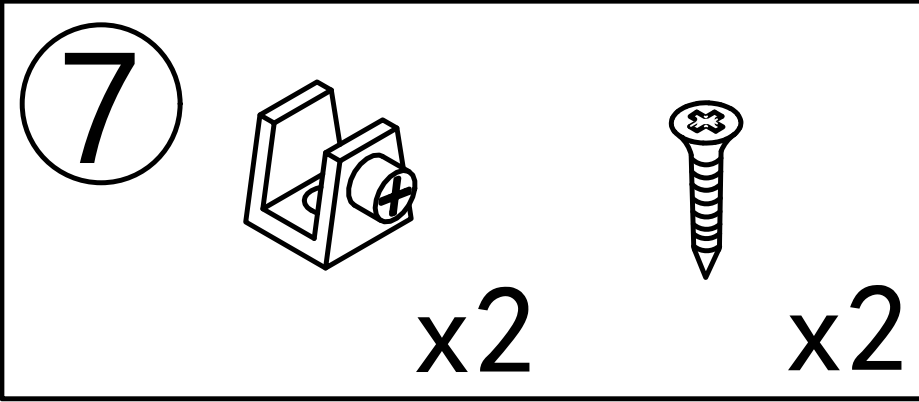


Step 7

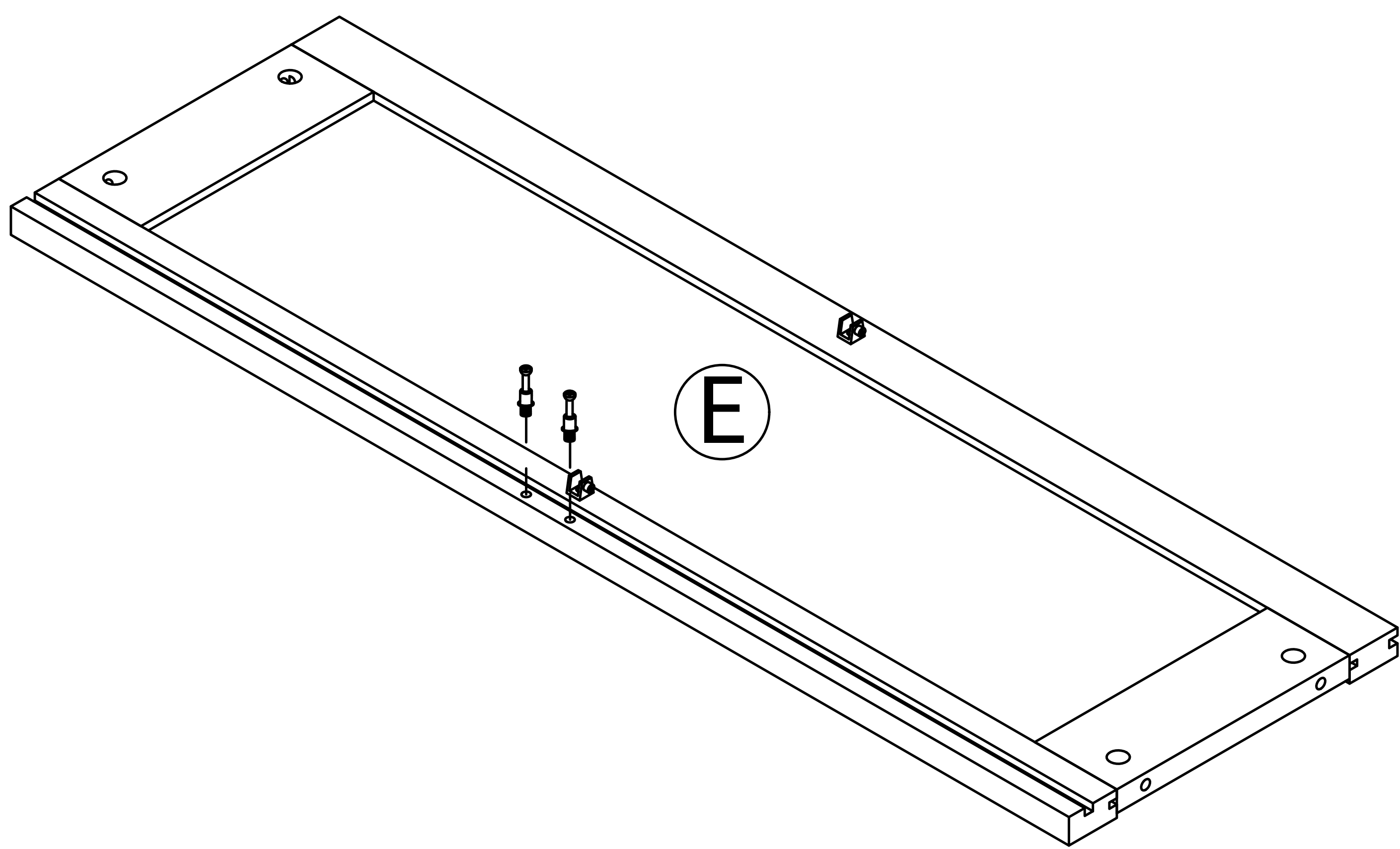
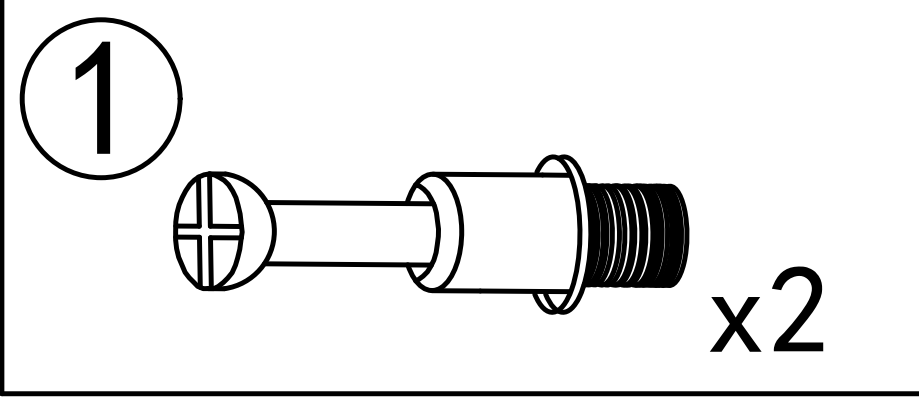
③  x6
Tear off release paper and stick the black foot pad on the board



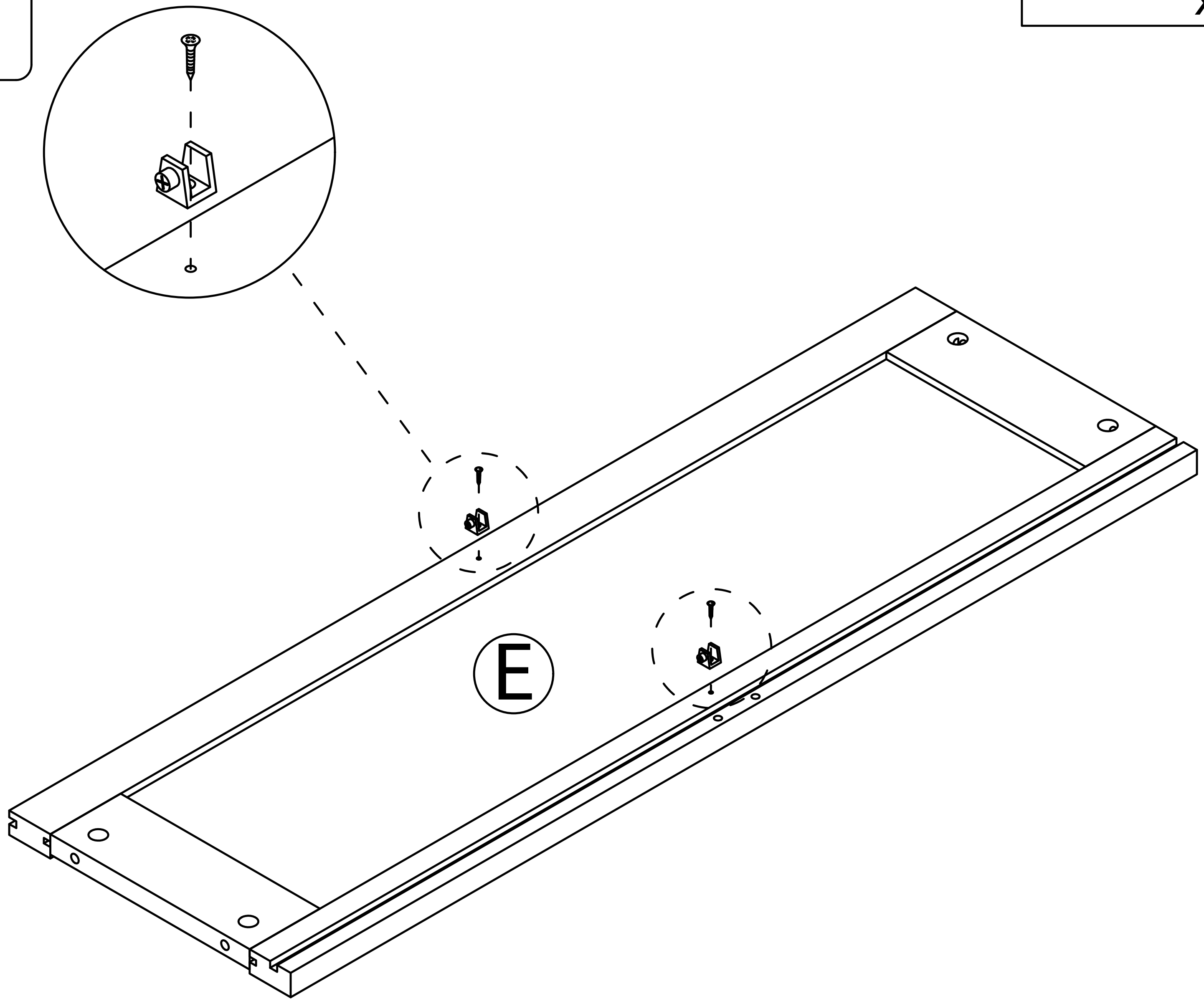
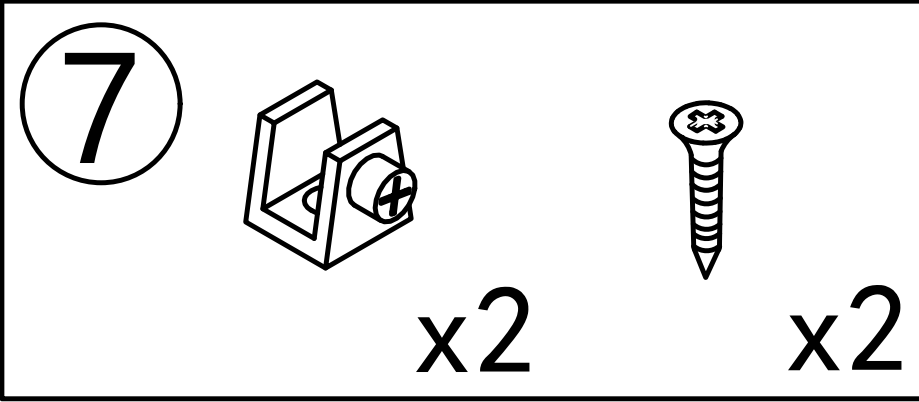
Step 8



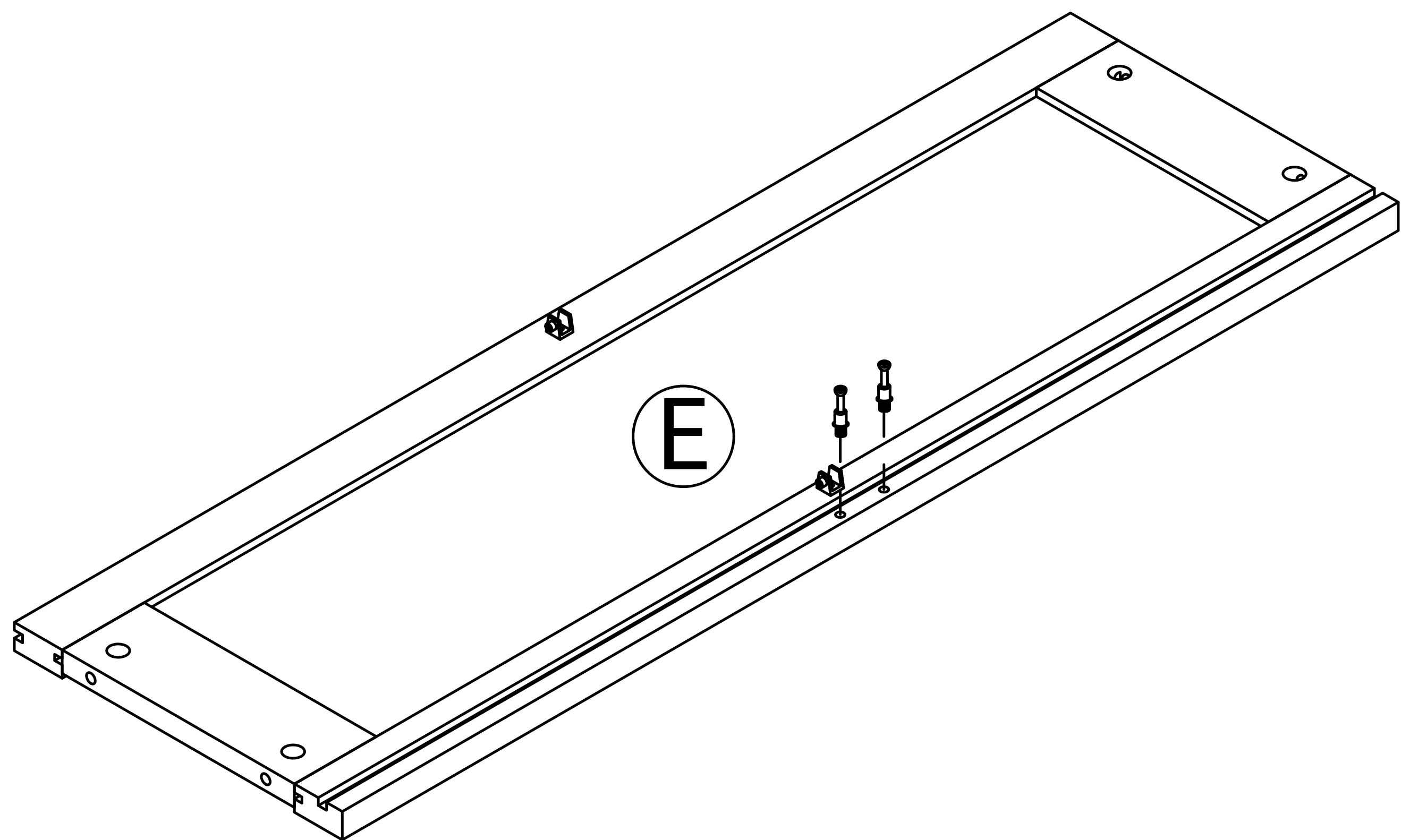
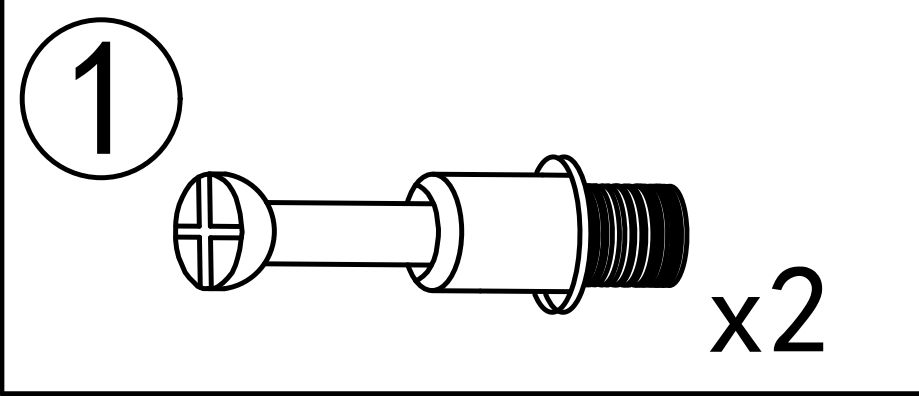
Step 9



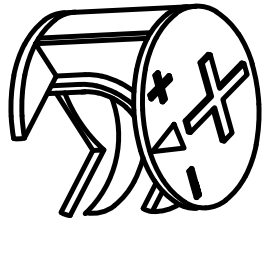
Step 10



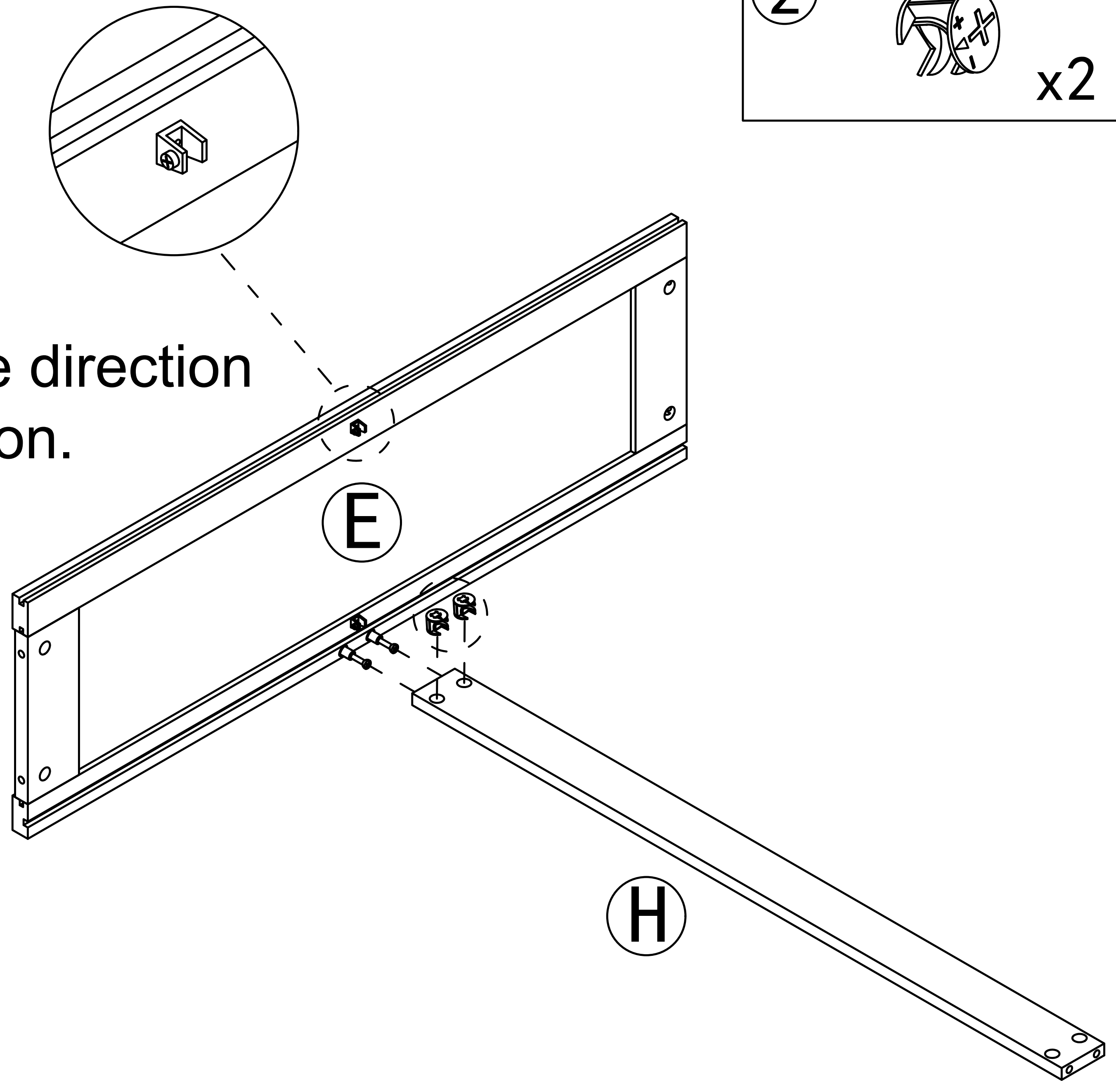
Step 11



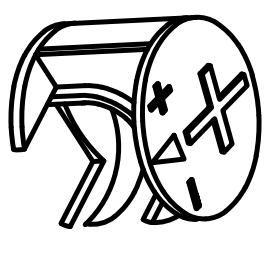
Step 12

②  x2

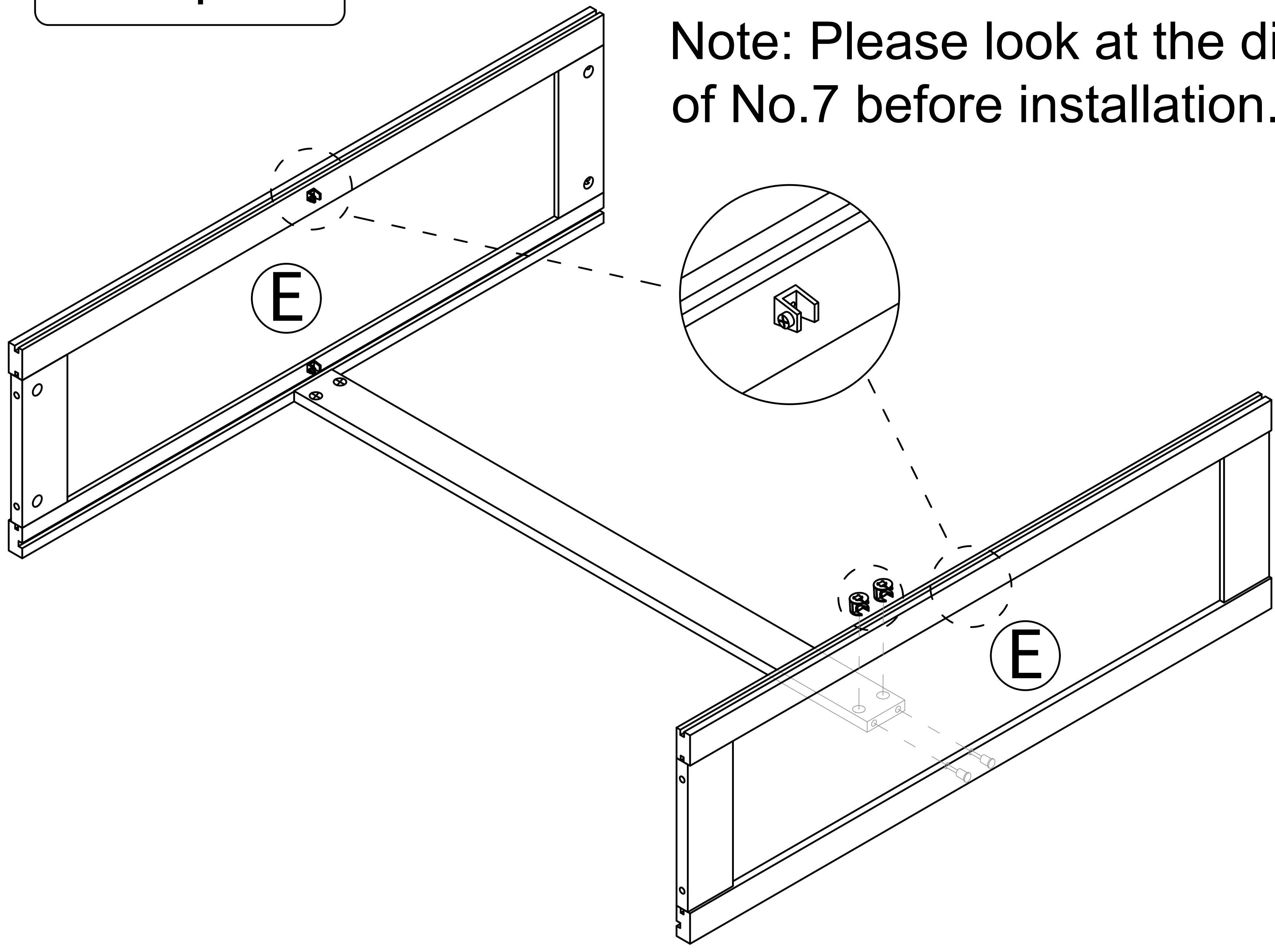
Note: Please look at the direction of No.7 before installation.



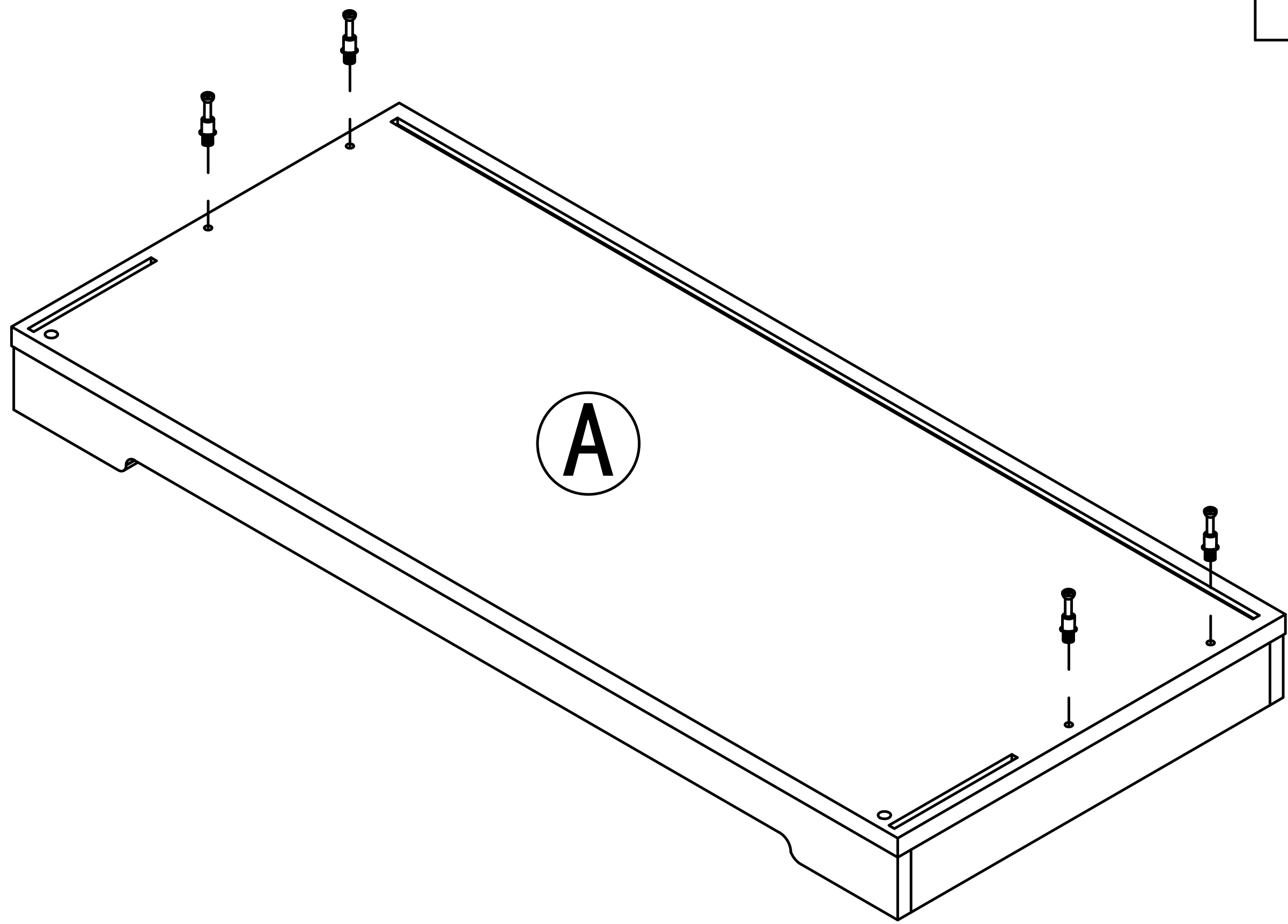
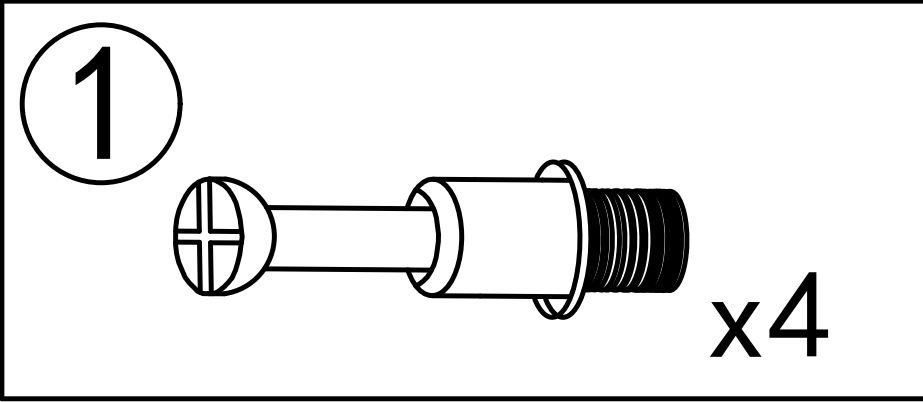
Step 13

②  x2

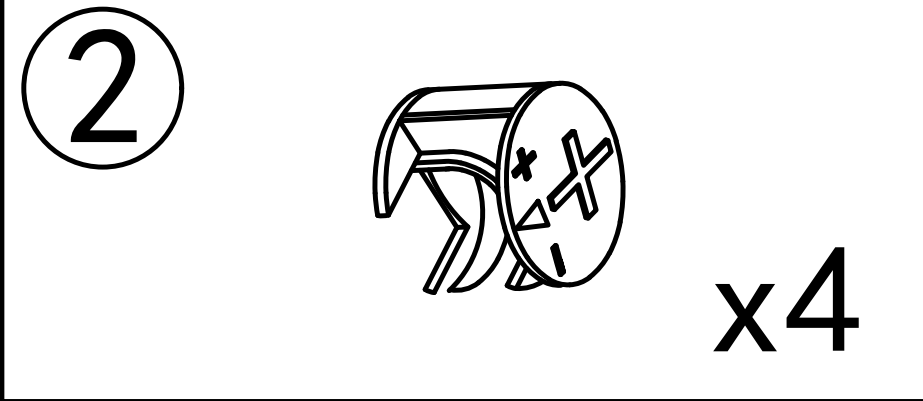
Note: Please look at the direction of No.7 before installation.



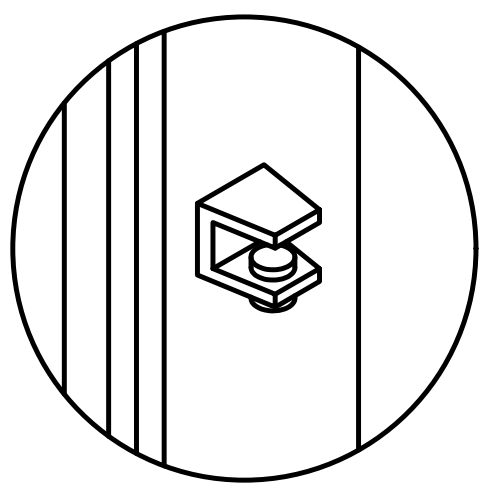
Step 14



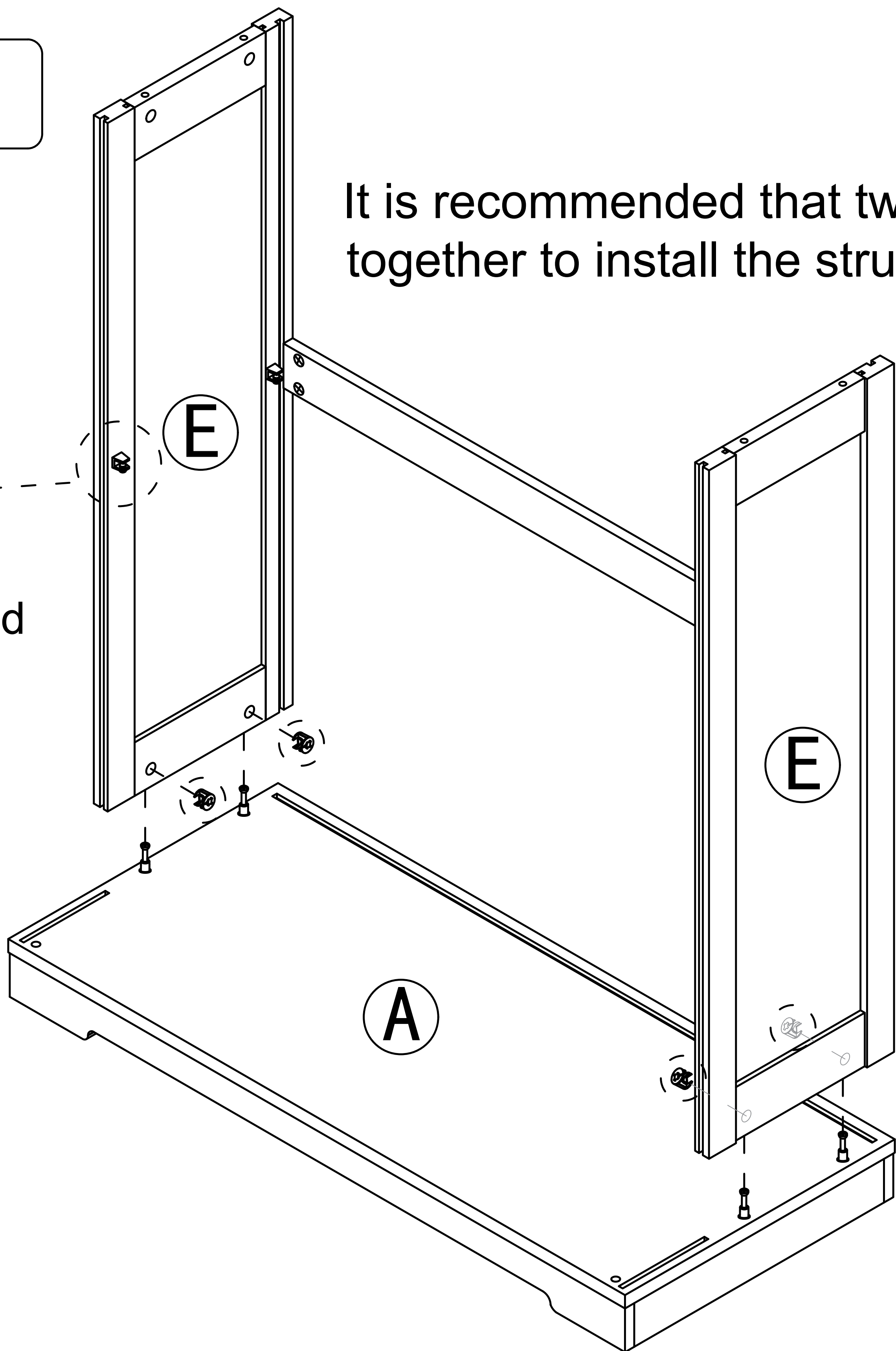
Step 15



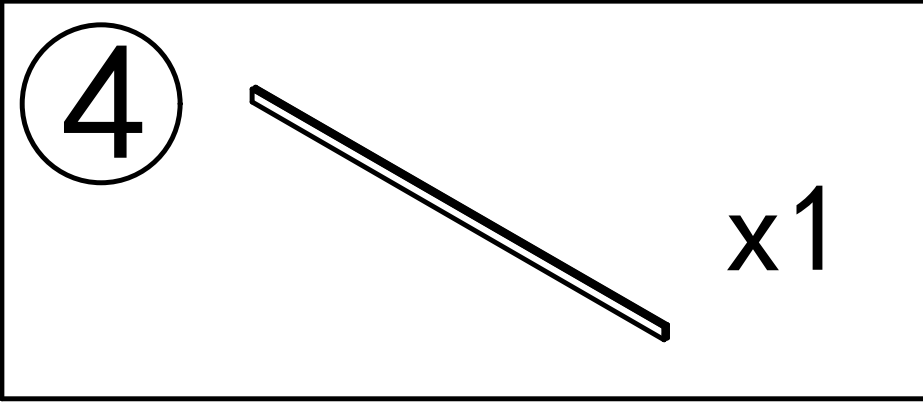
It is recommended that two people work together to install the structural wood panels.



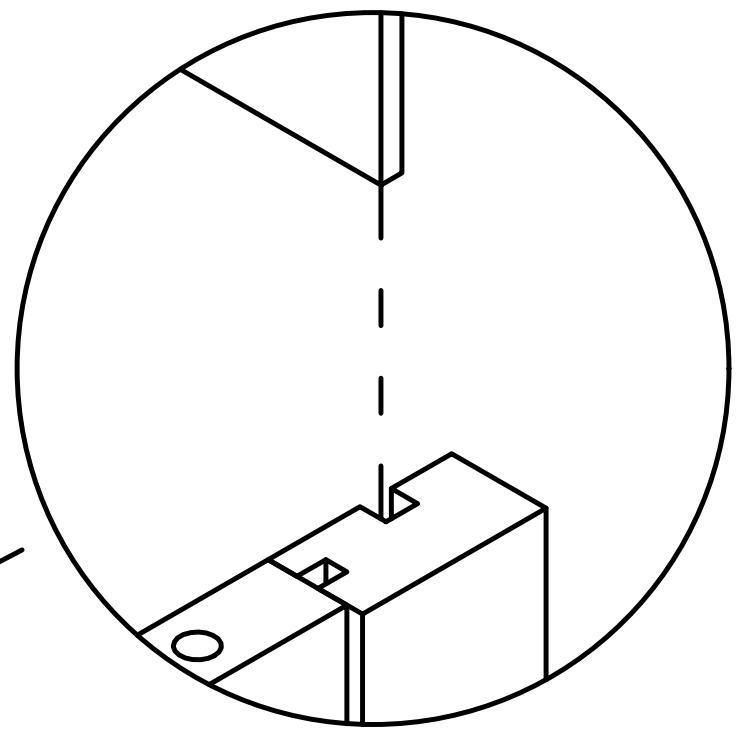
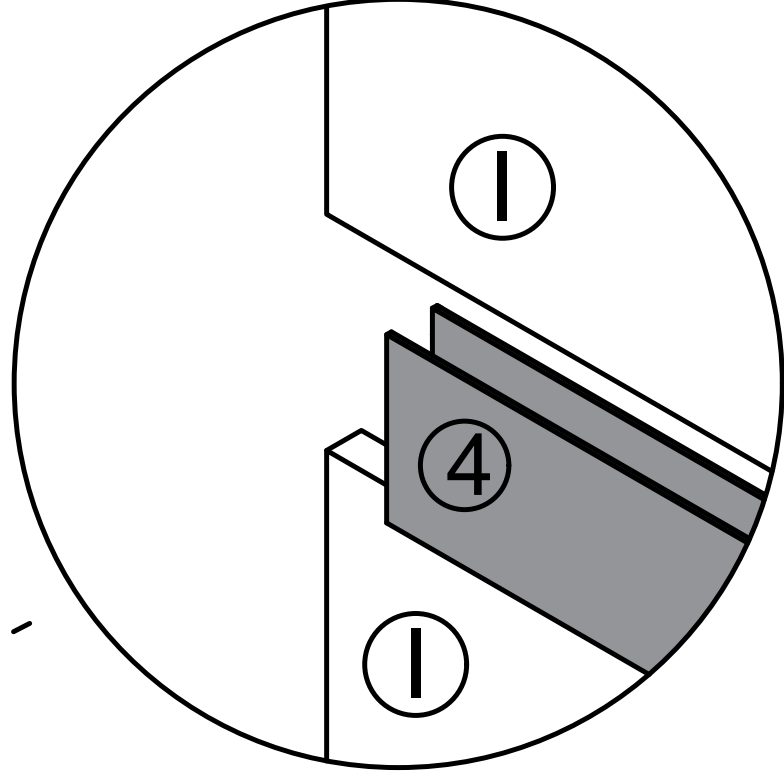
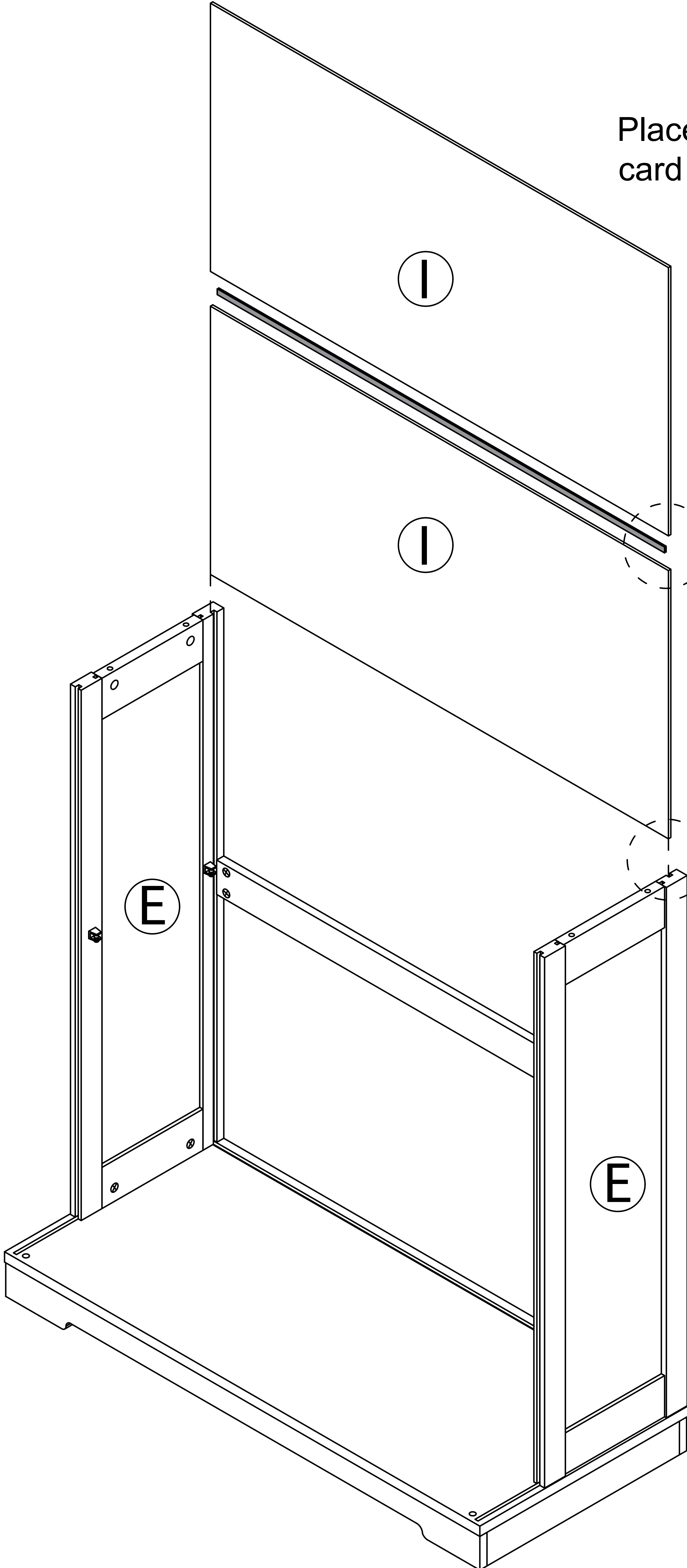
Note: The twisted screw is below.



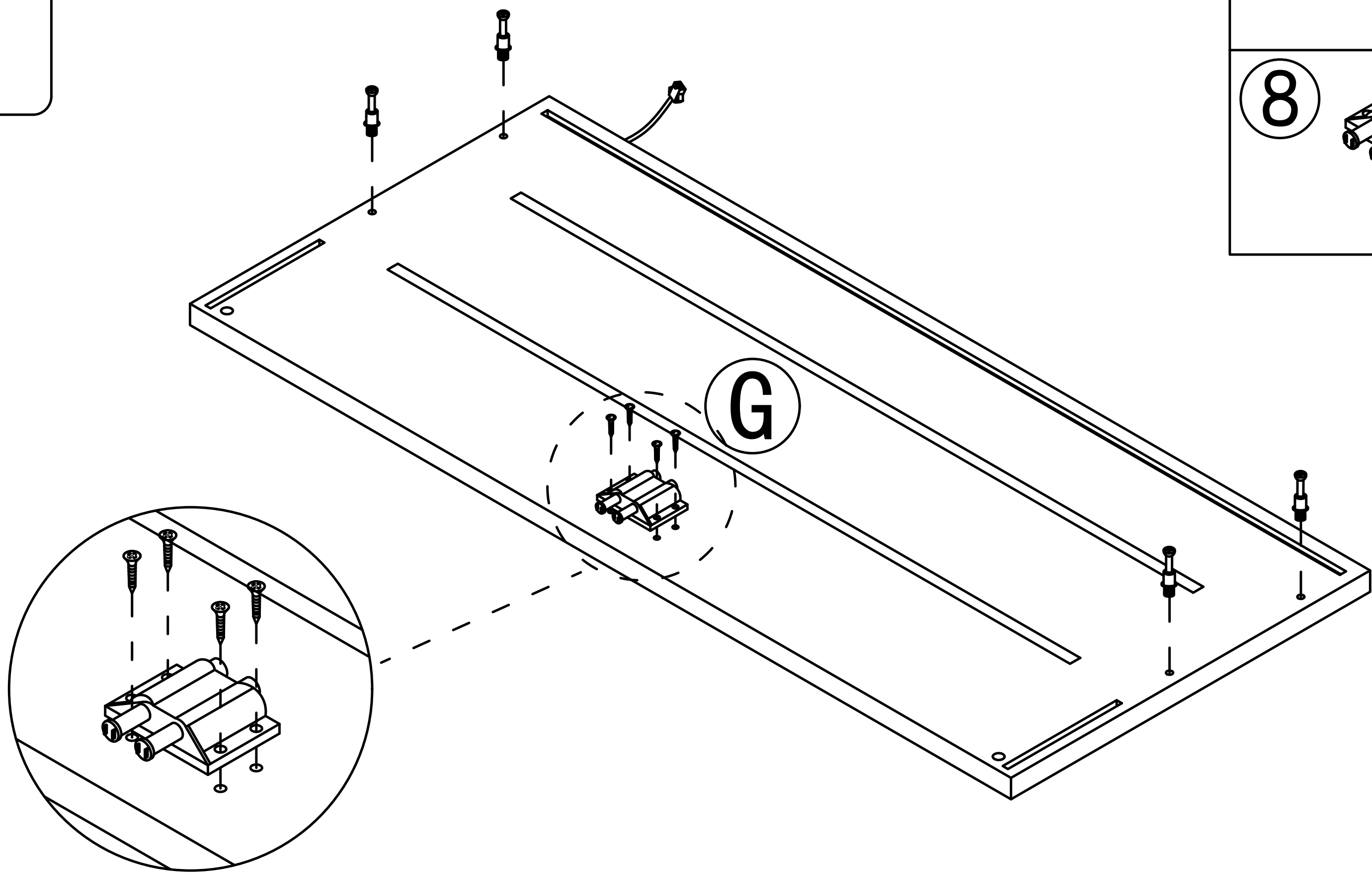
Step 16



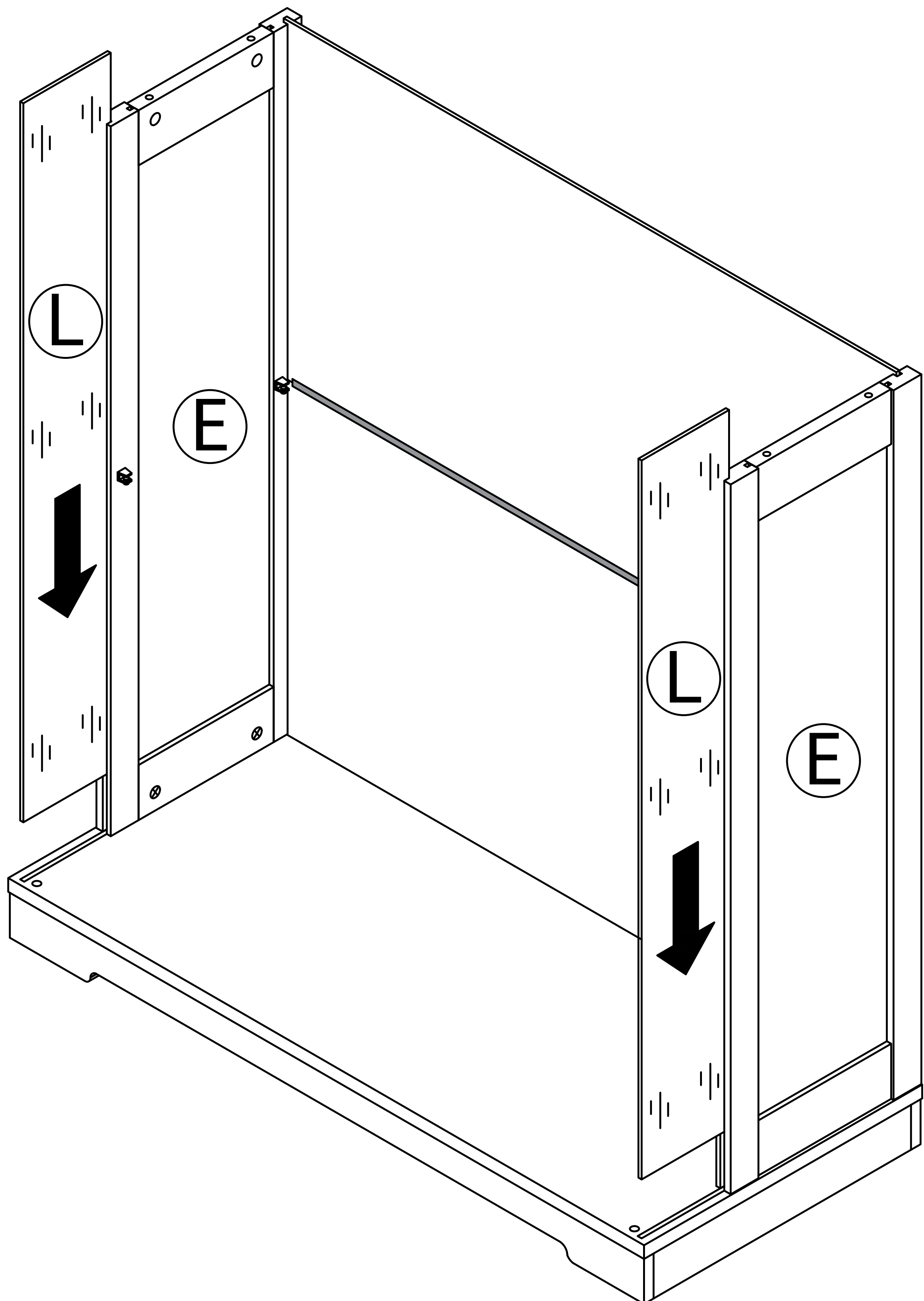
Place the "I" board, Backboard card strip, and "I" board in order



Step 17

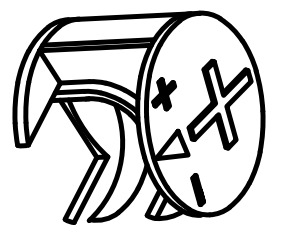


Step 18

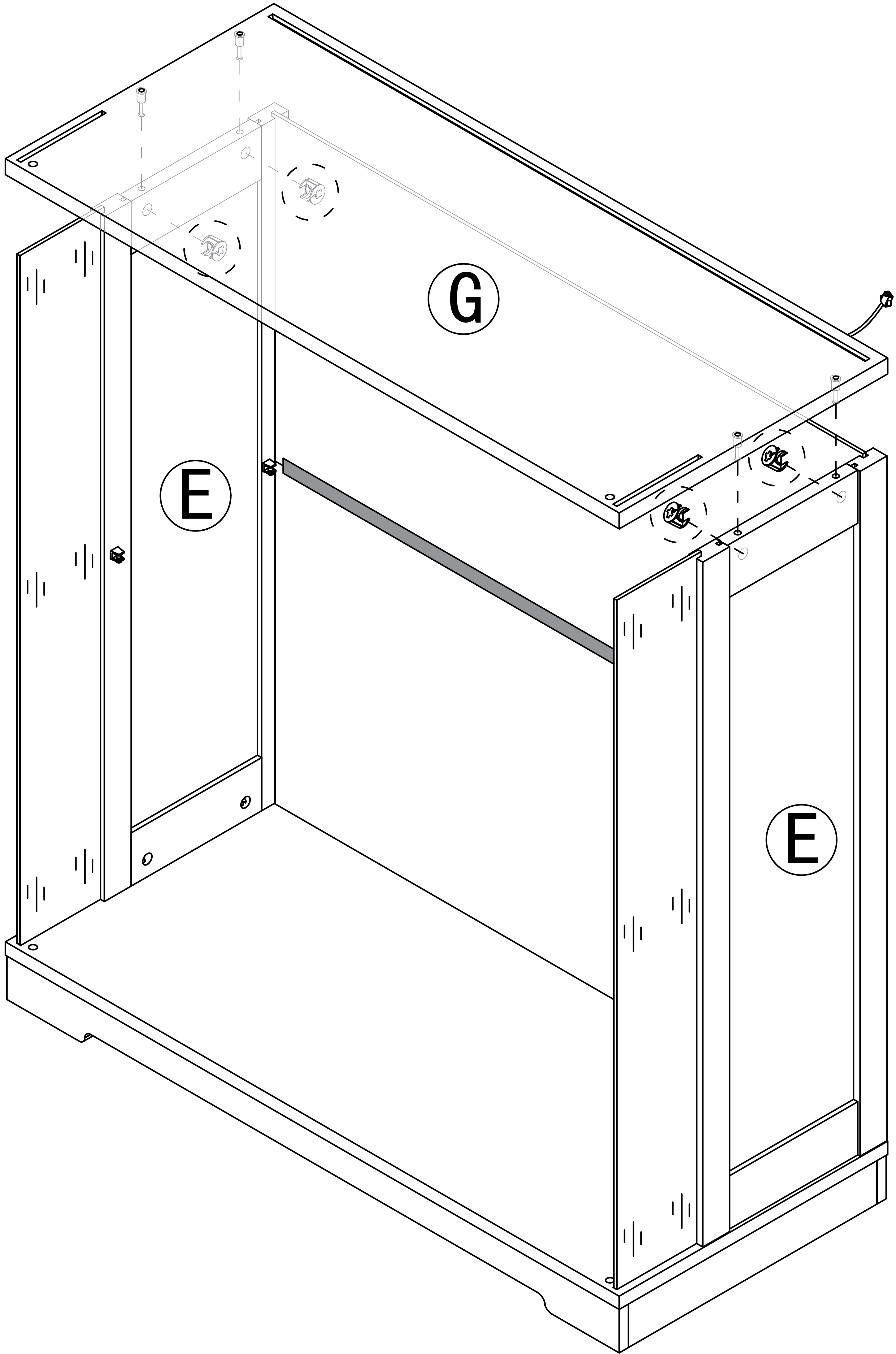


Step 19

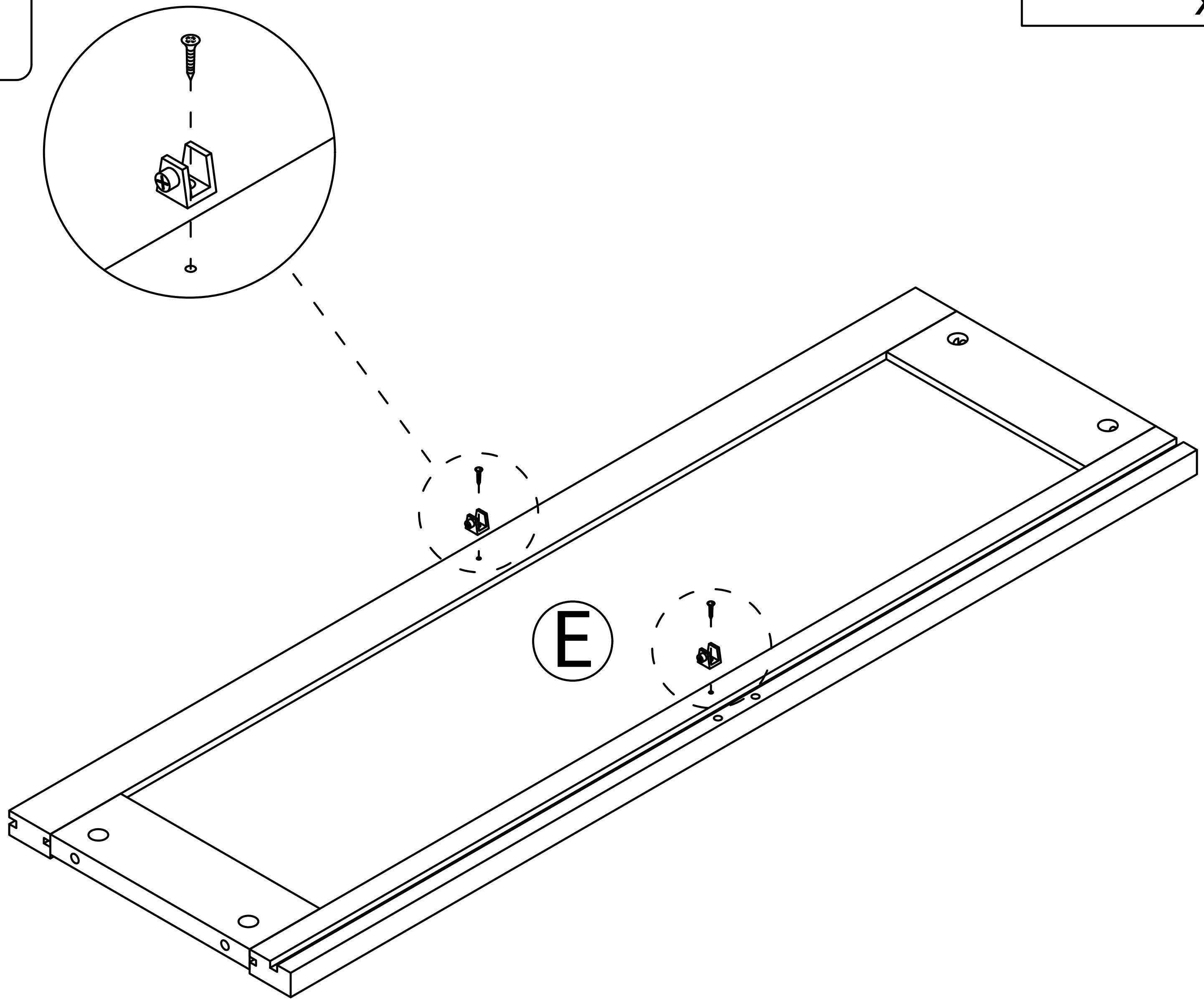
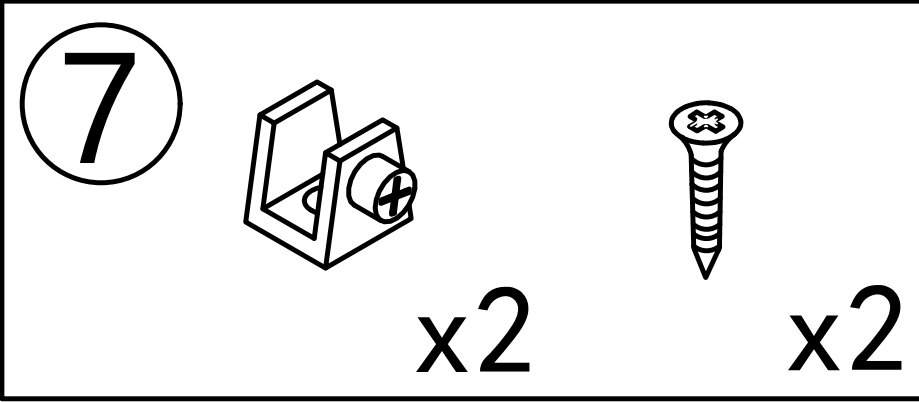
2



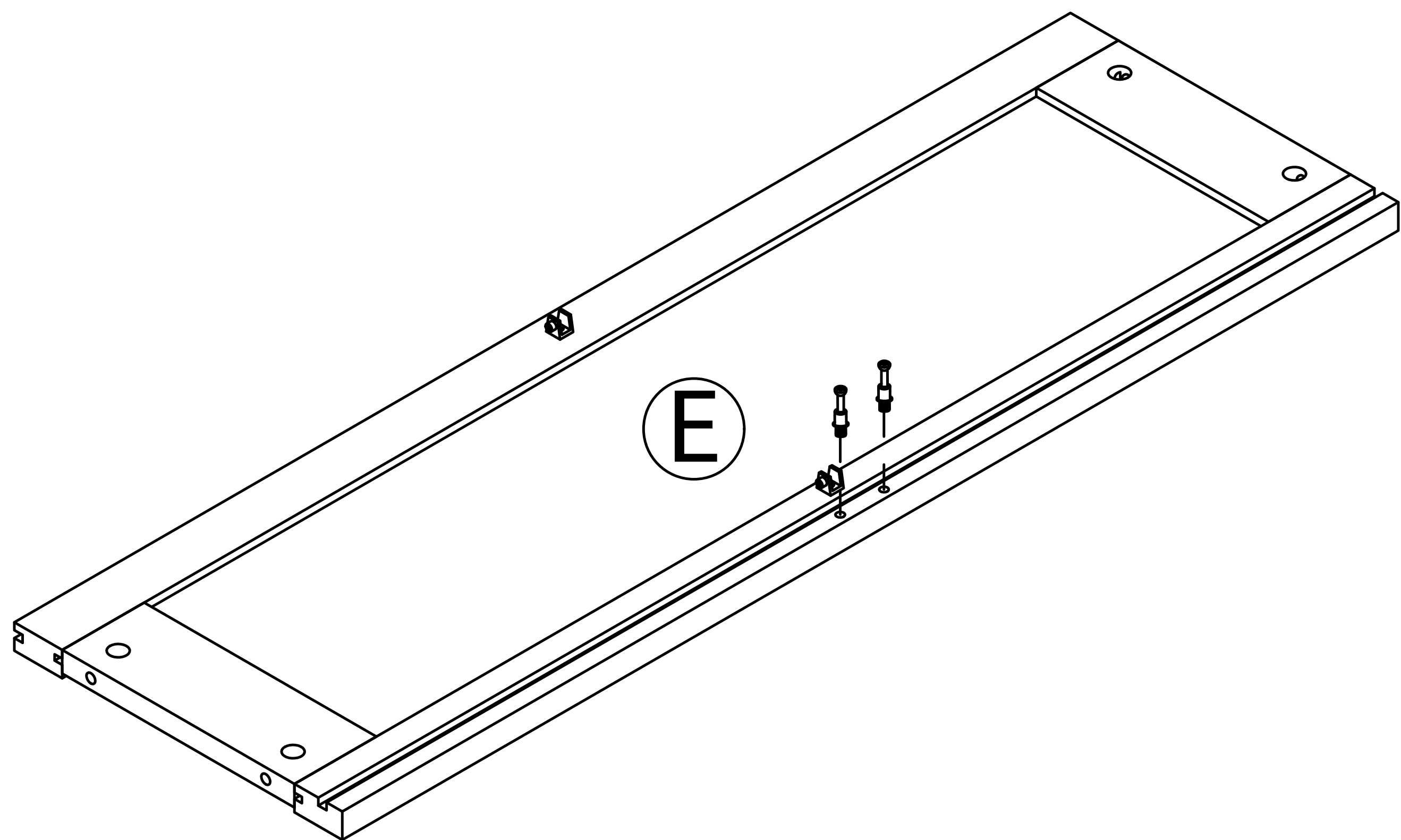
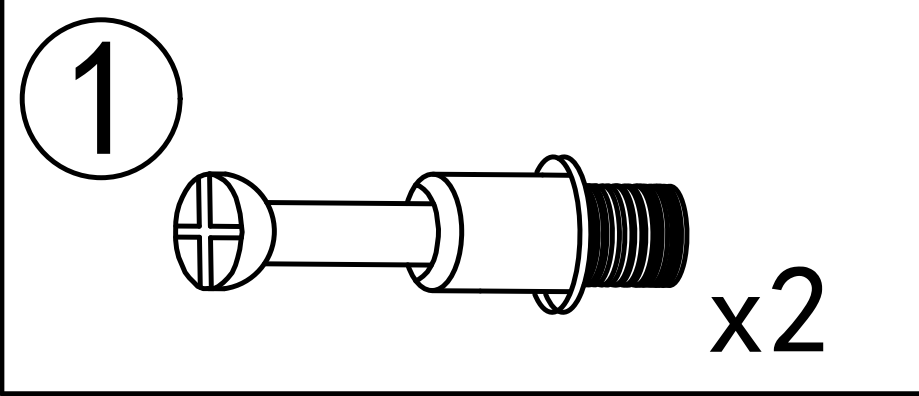
x4



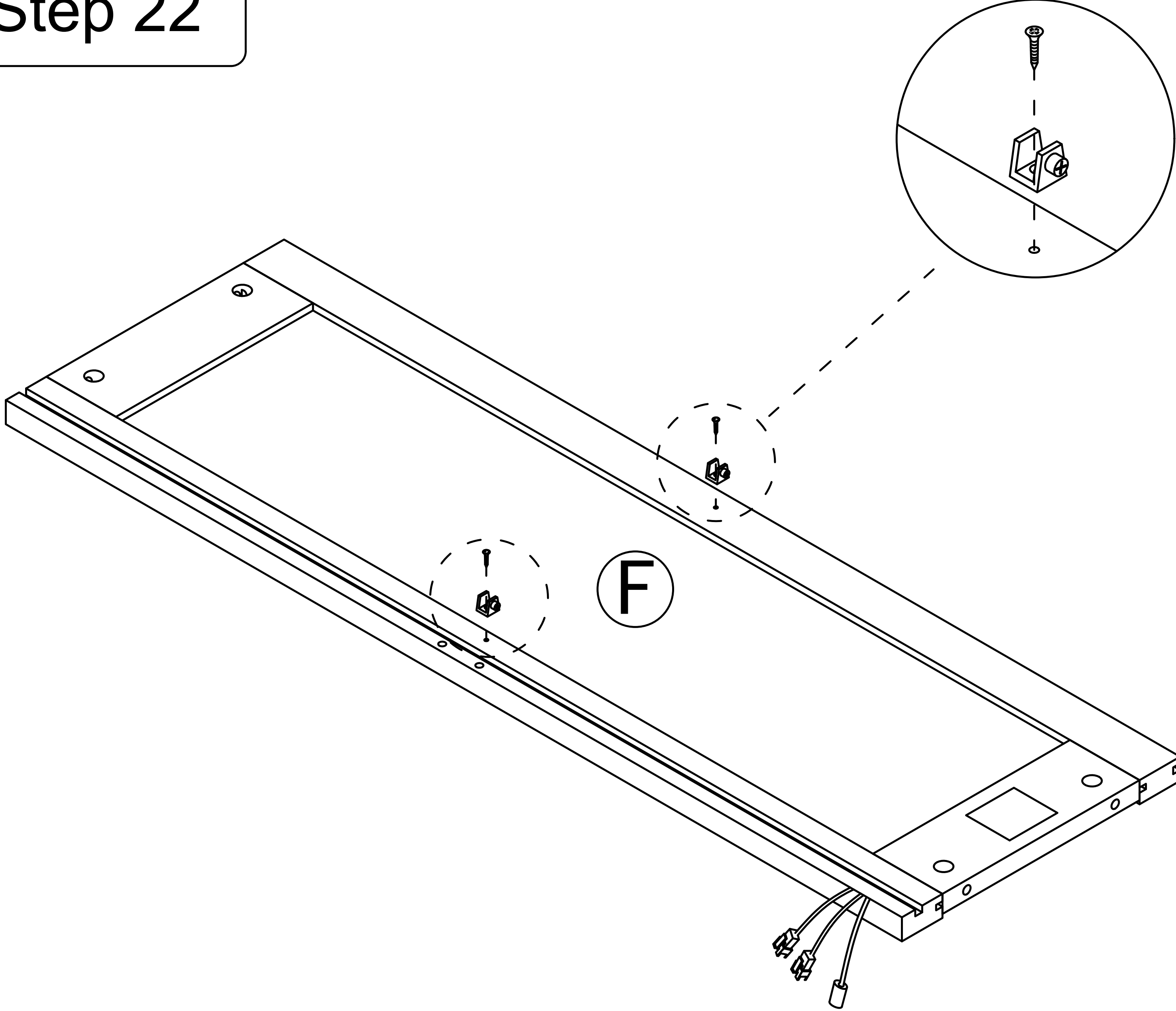
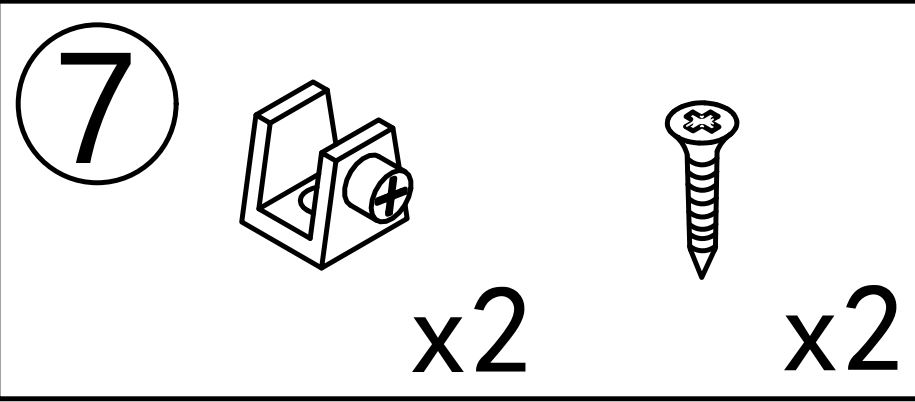
Step 20



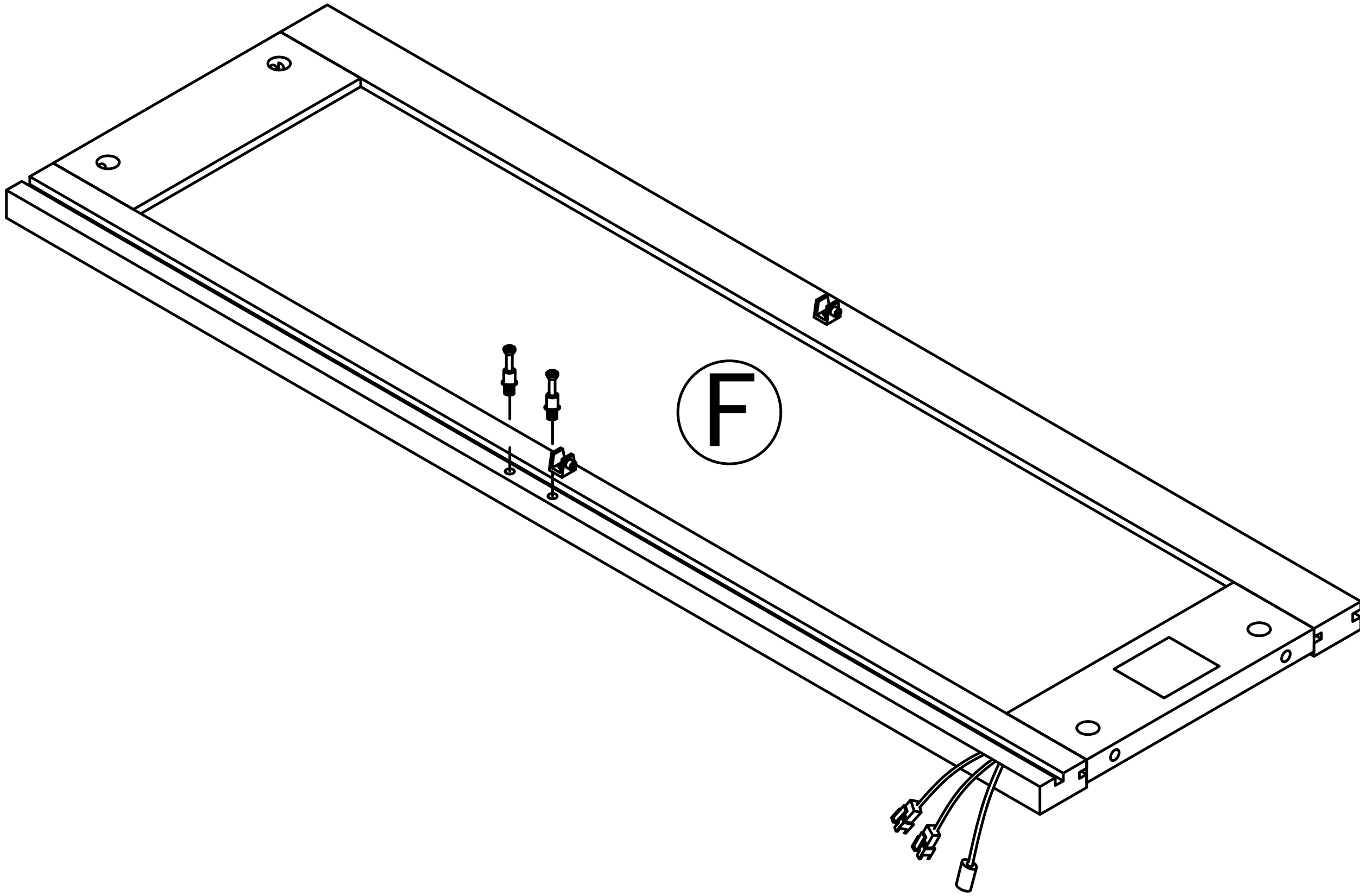
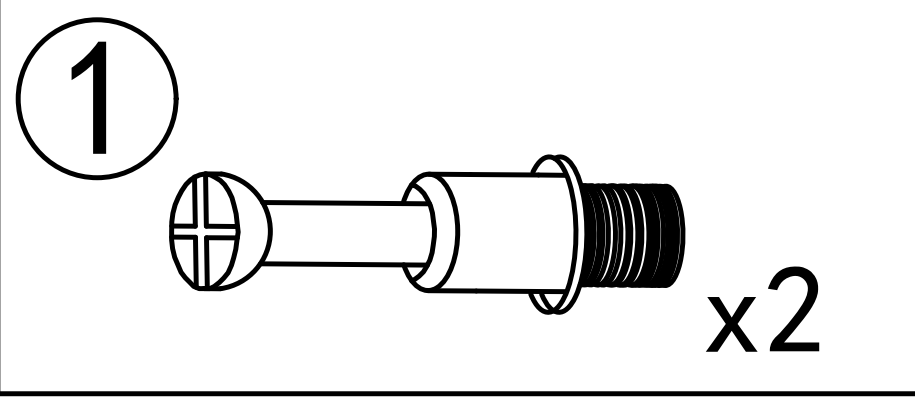
Step 21



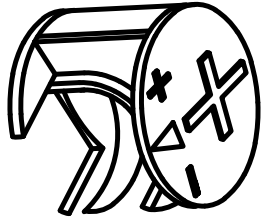
Step 22



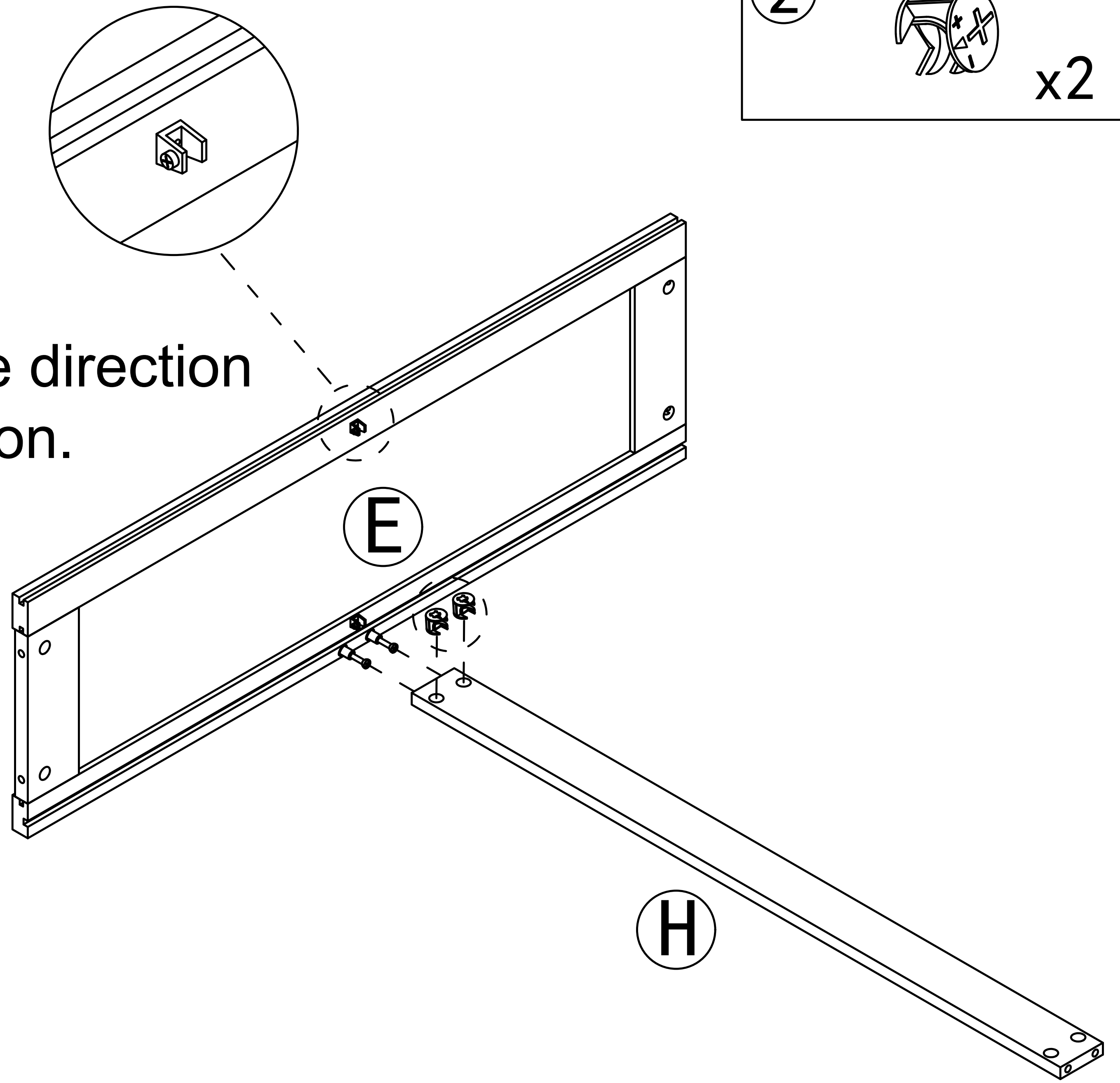
Step 23



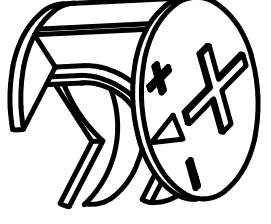
Step 24

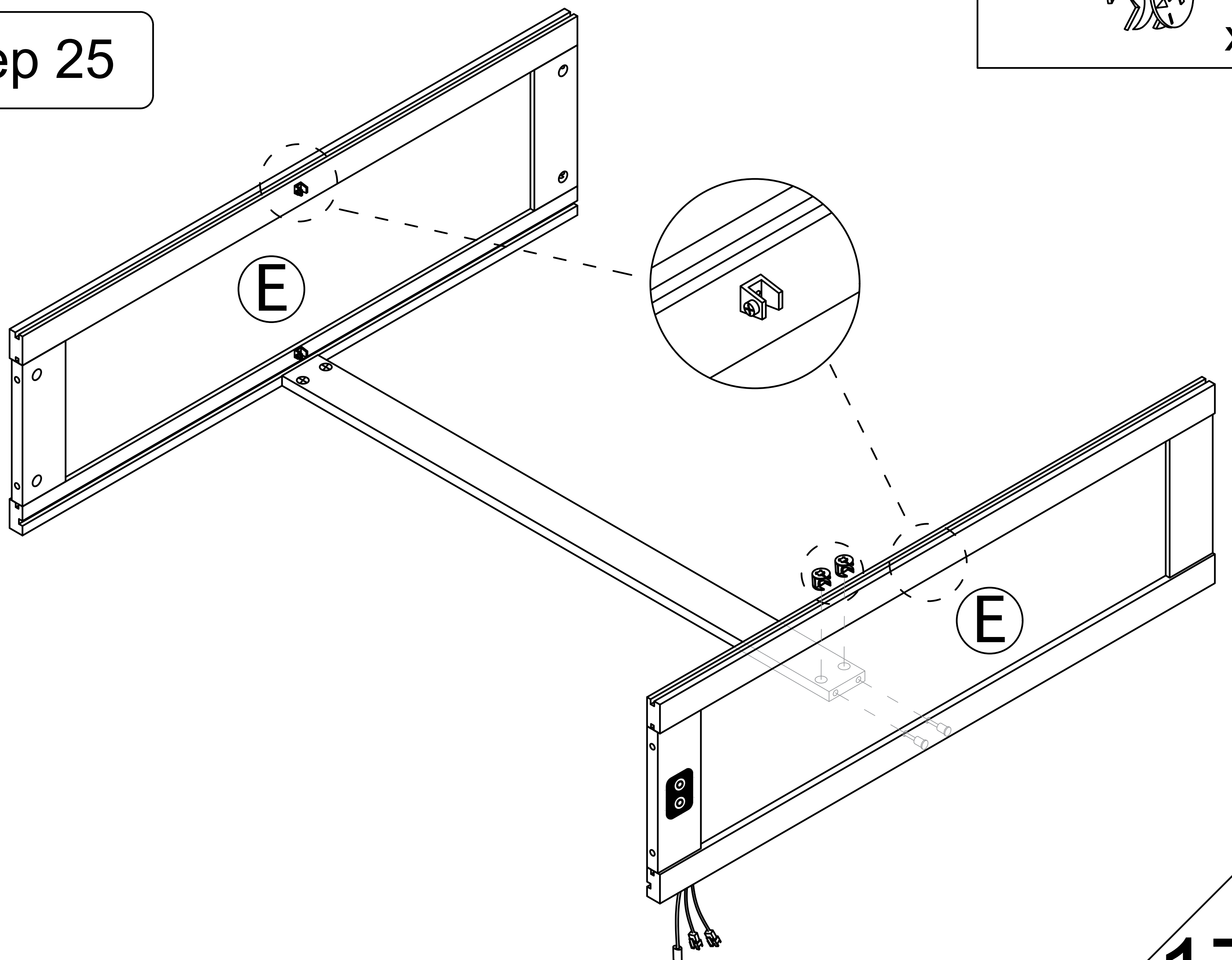
②  x2

Note: Please look at the direction of No.7 before installation.

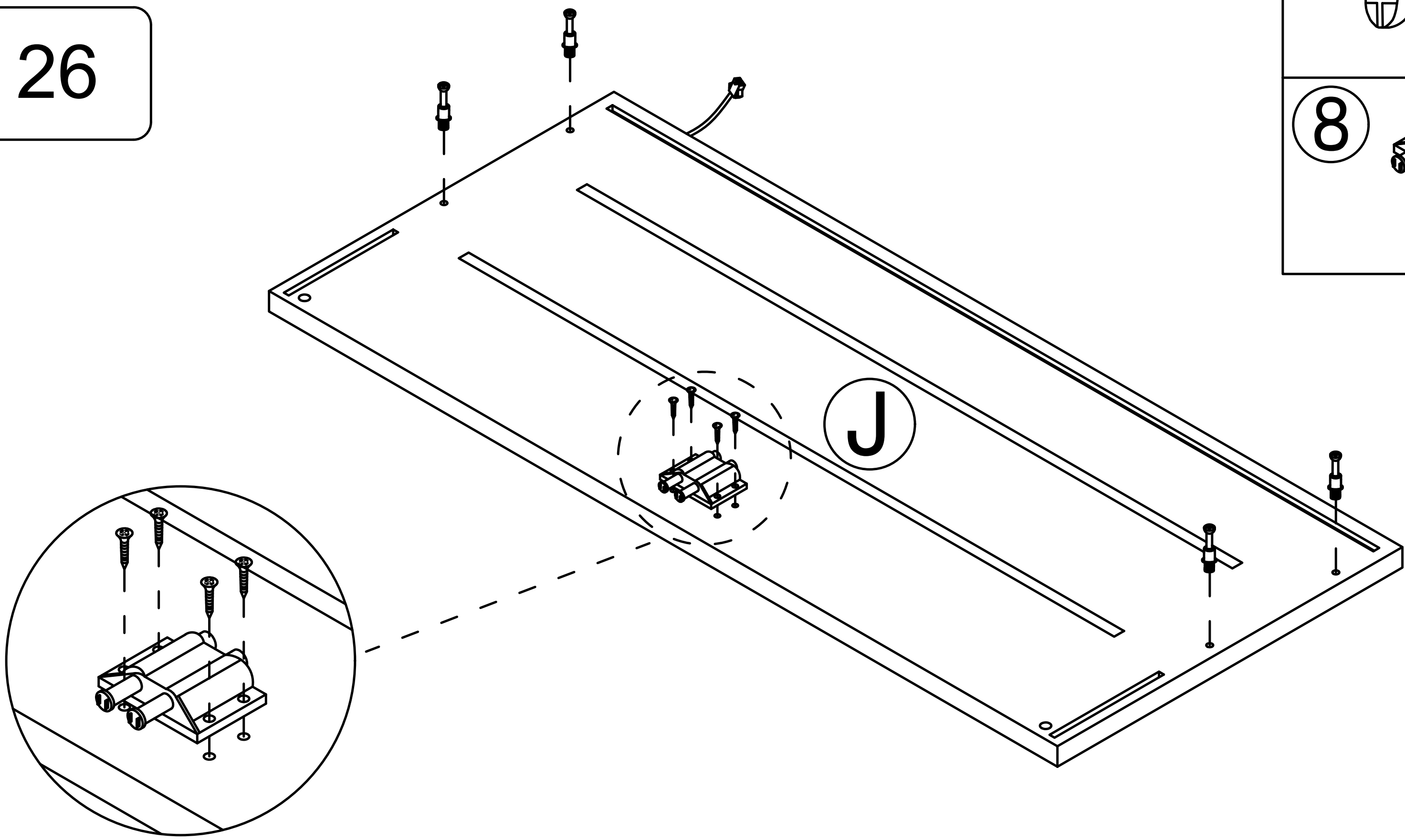


Step 25

②  x2

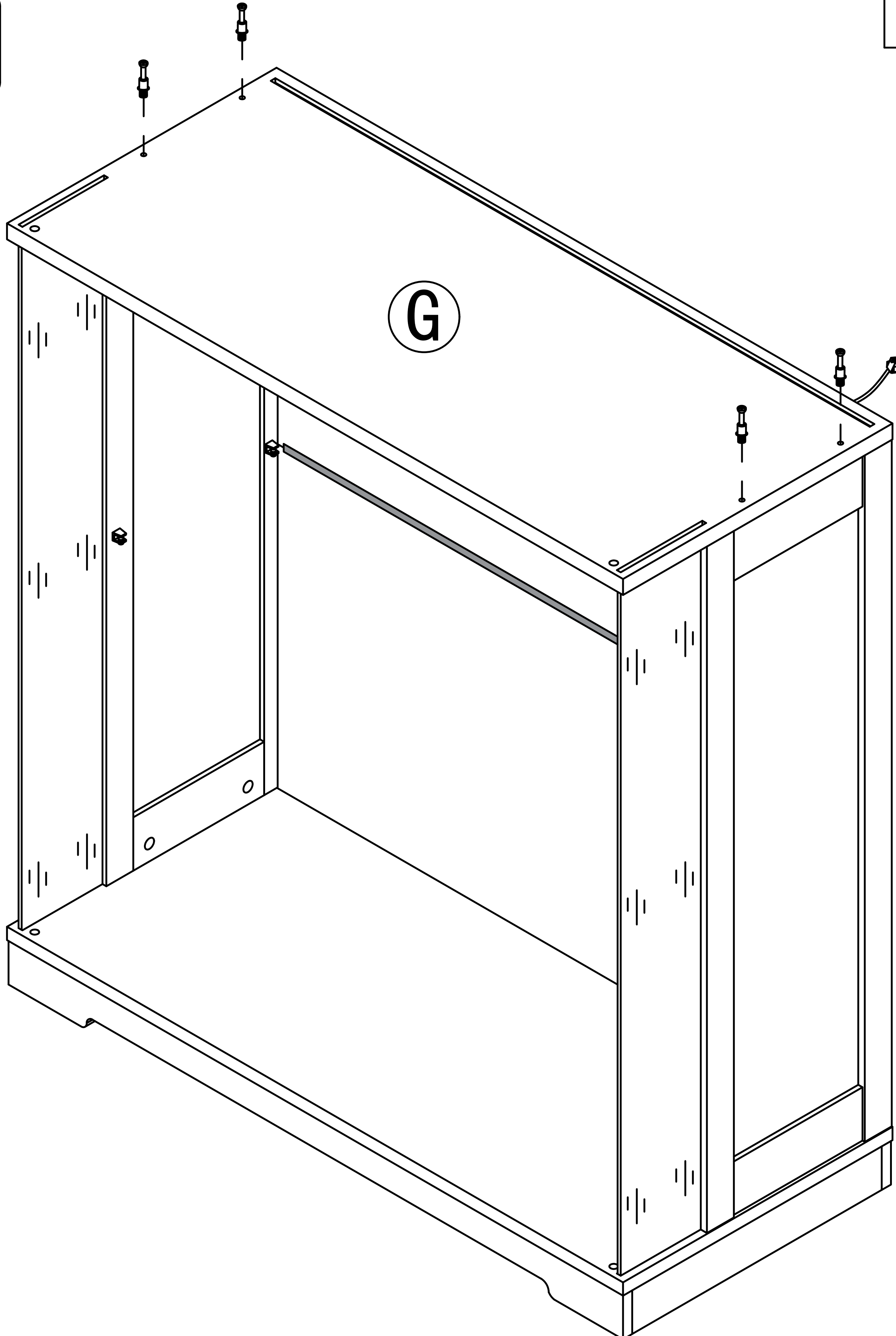


Step 26



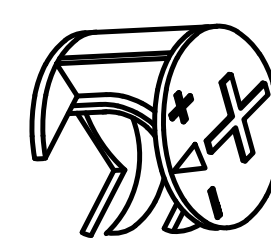
- 1 x4
- 8 x1 x4

Step 27



- 1 x4

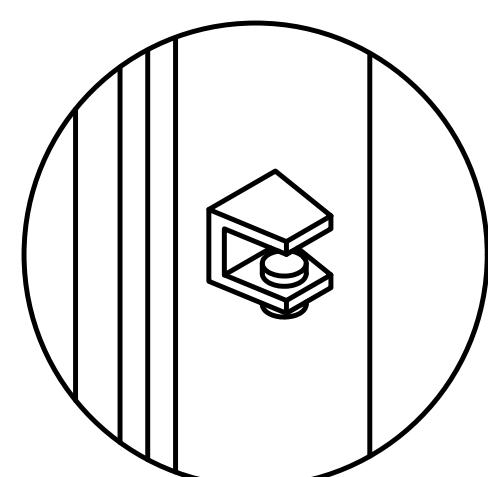
2



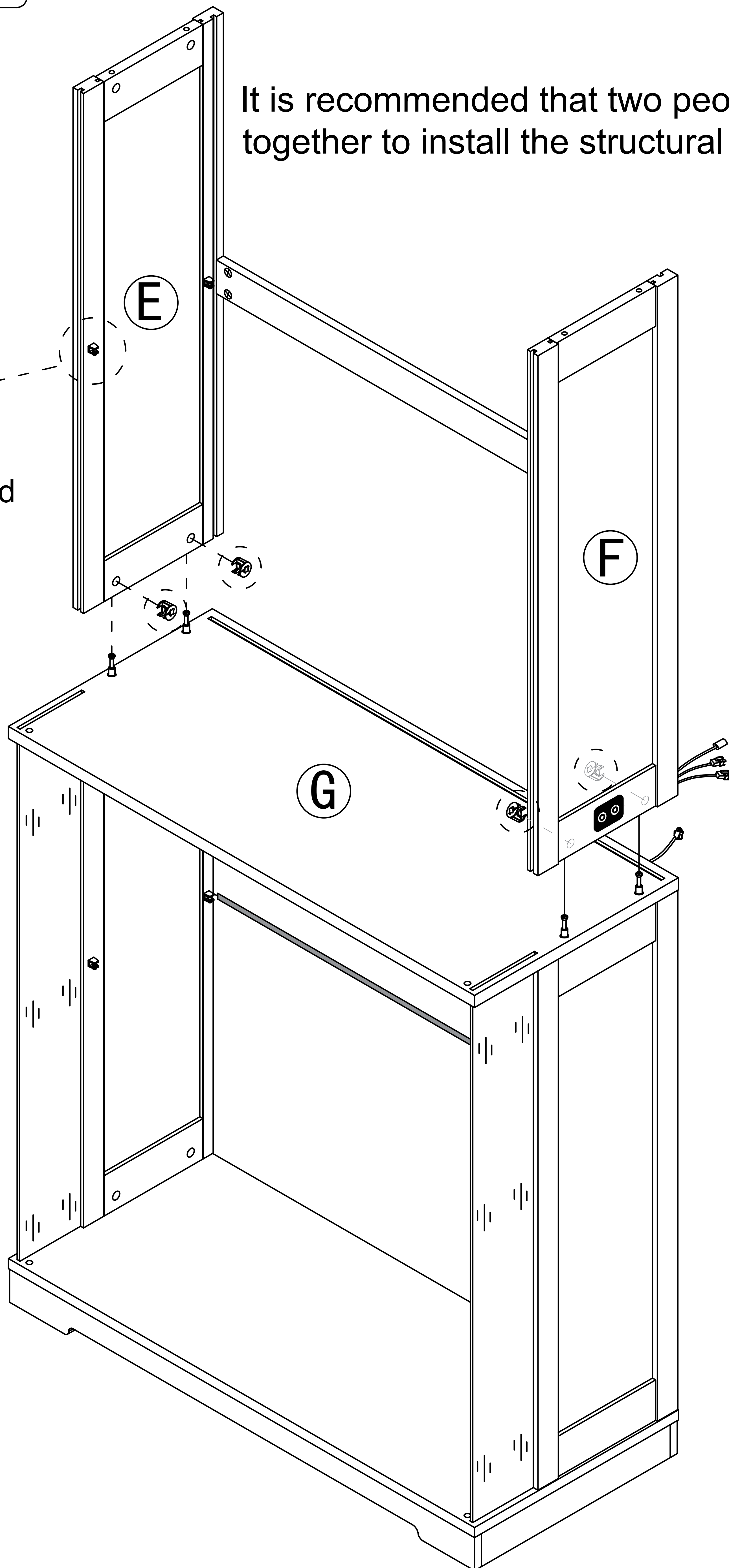
x4

Step 28

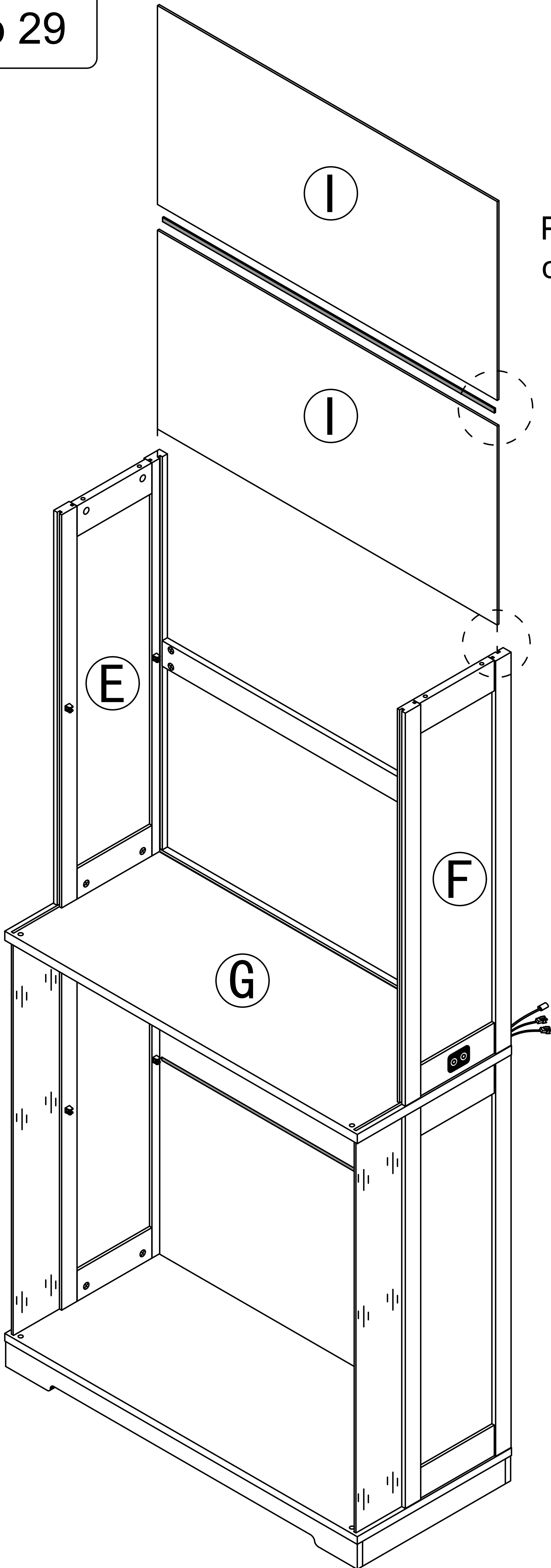
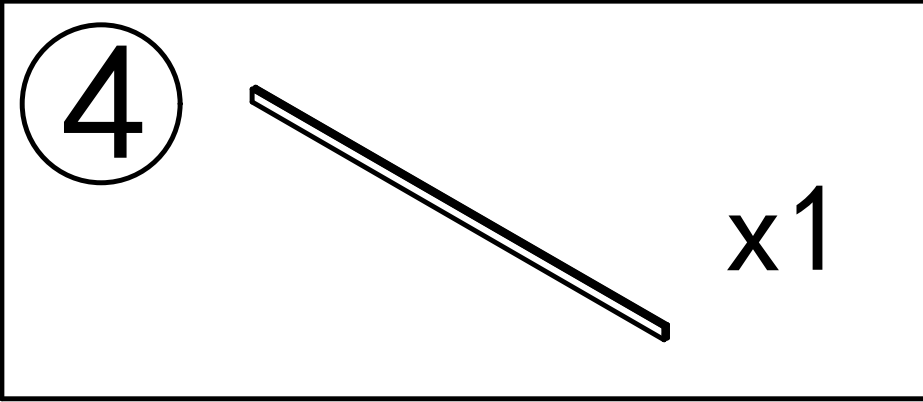
It is recommended that two people work together to install the structural wood panels.



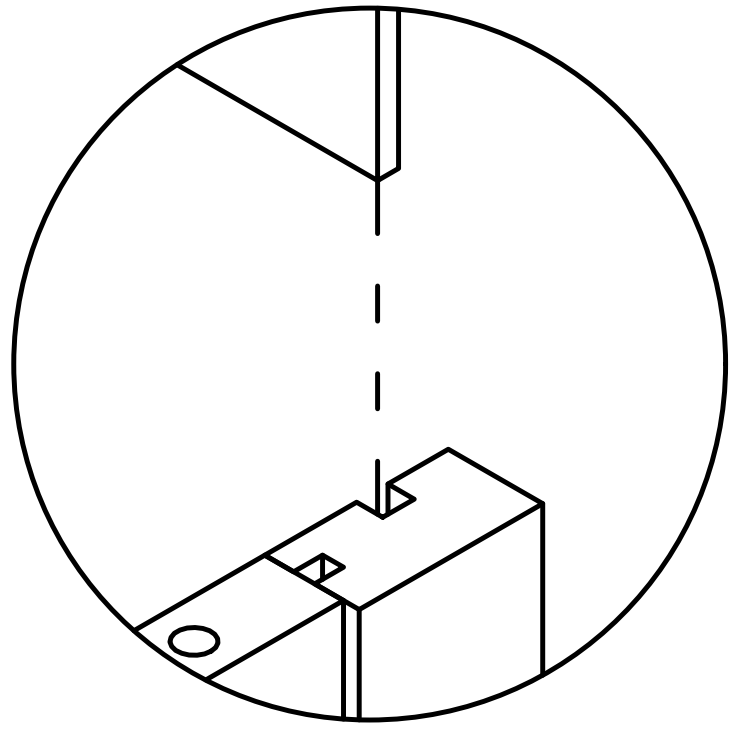
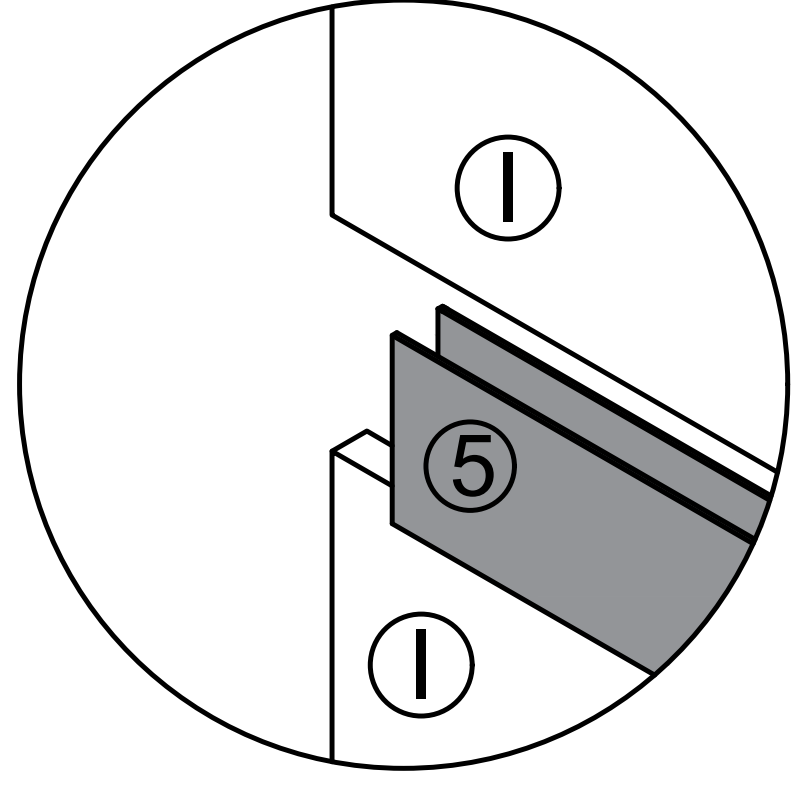
Note: The twisted screw is below.



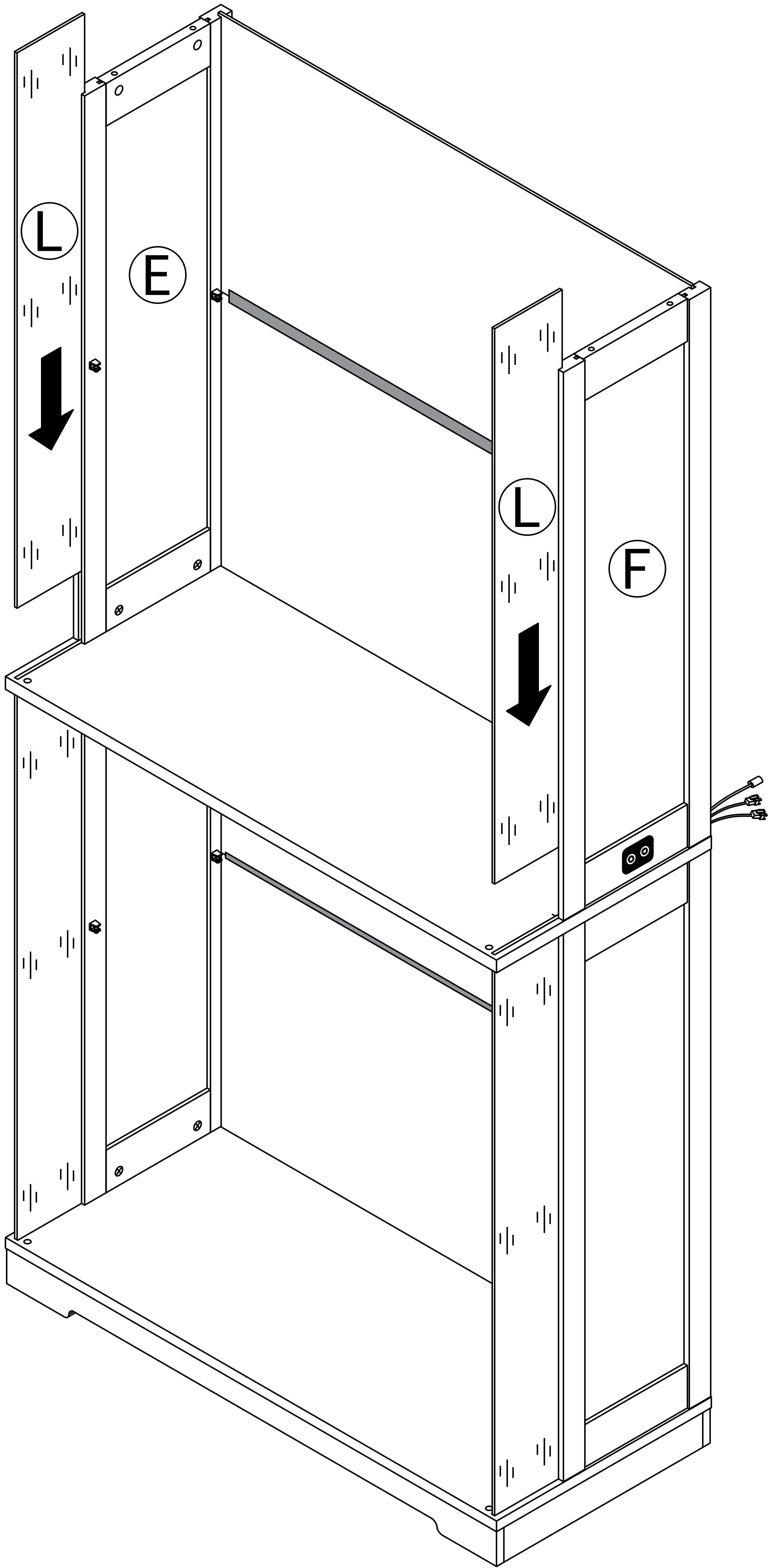
Step 29



Place the "I" board, Backboard card strip, and "I" board in order

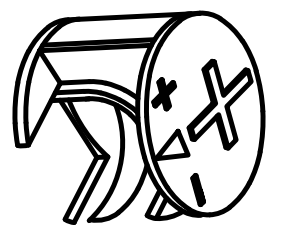


Step 30

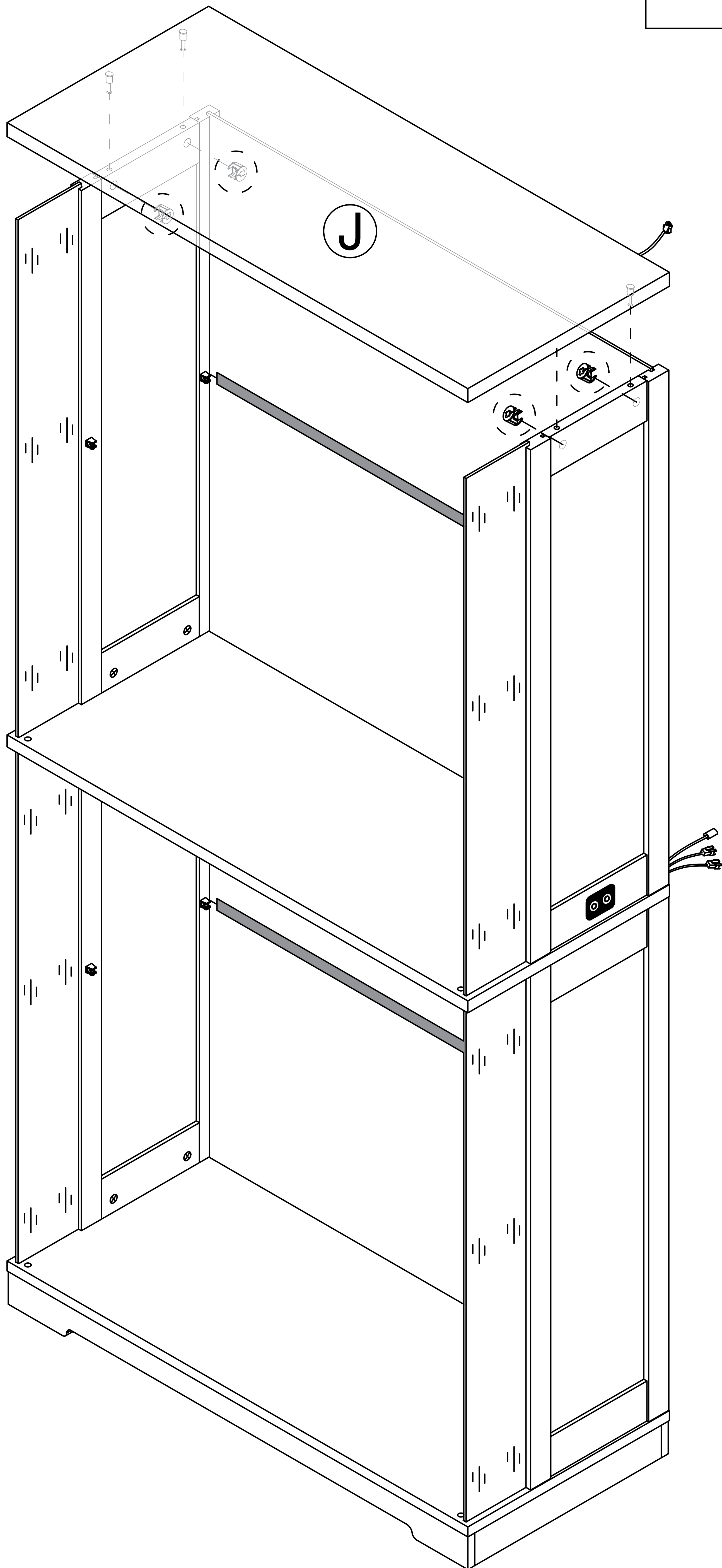


Step 31

2

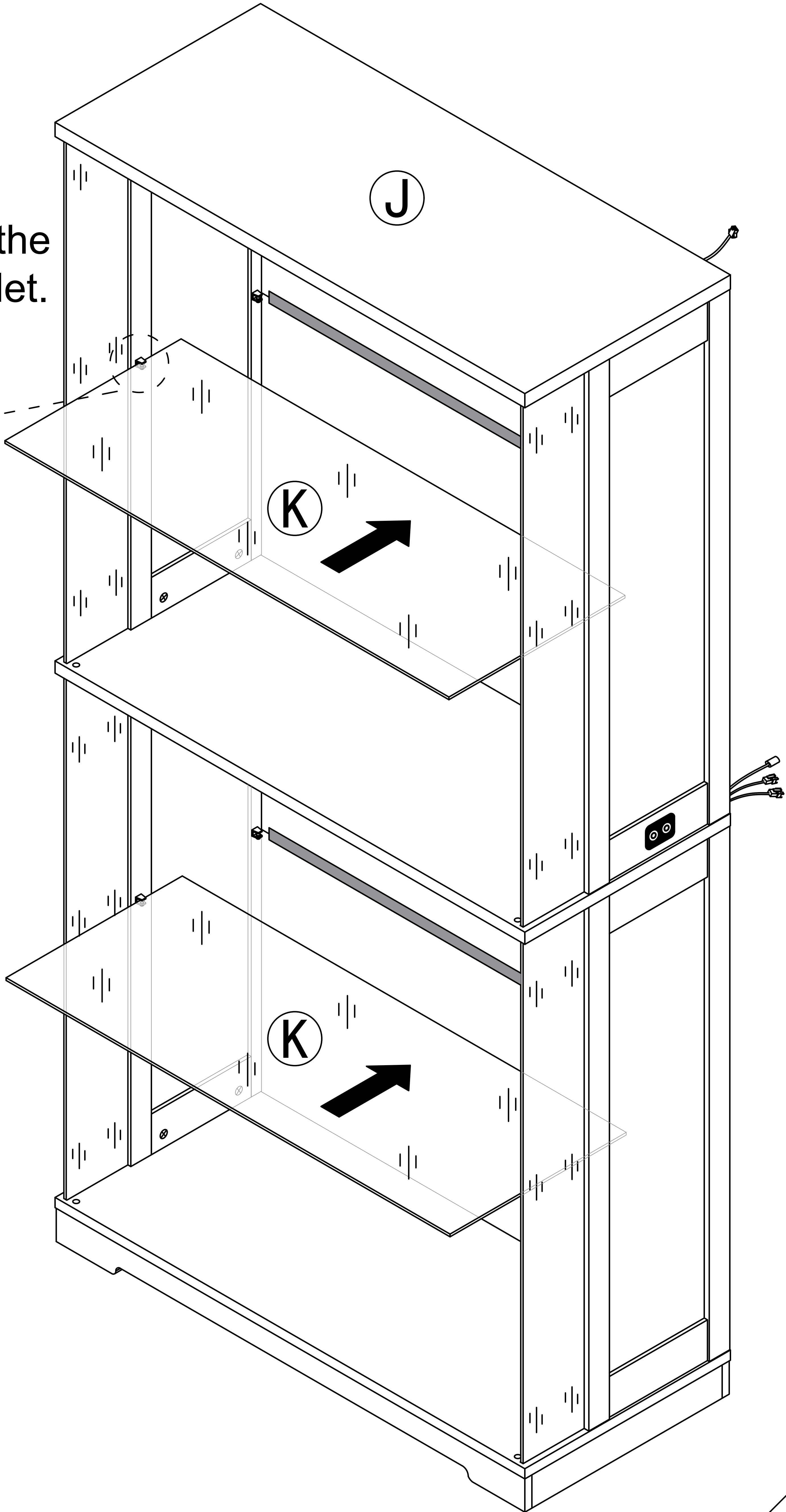
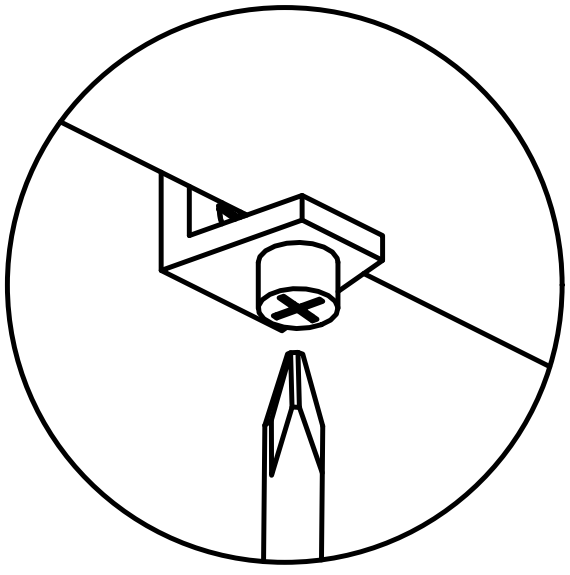


x4



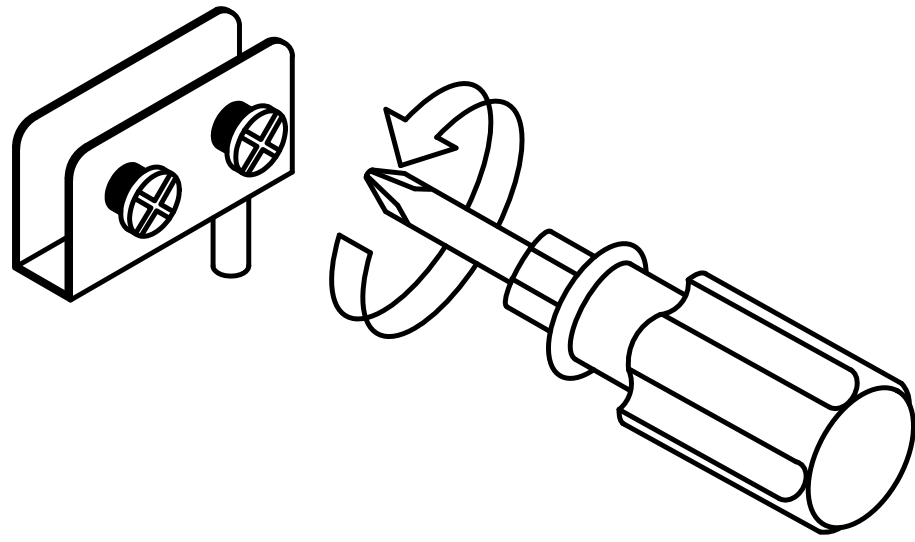
Step 32

Note: after installing the K board, lock the pallet.

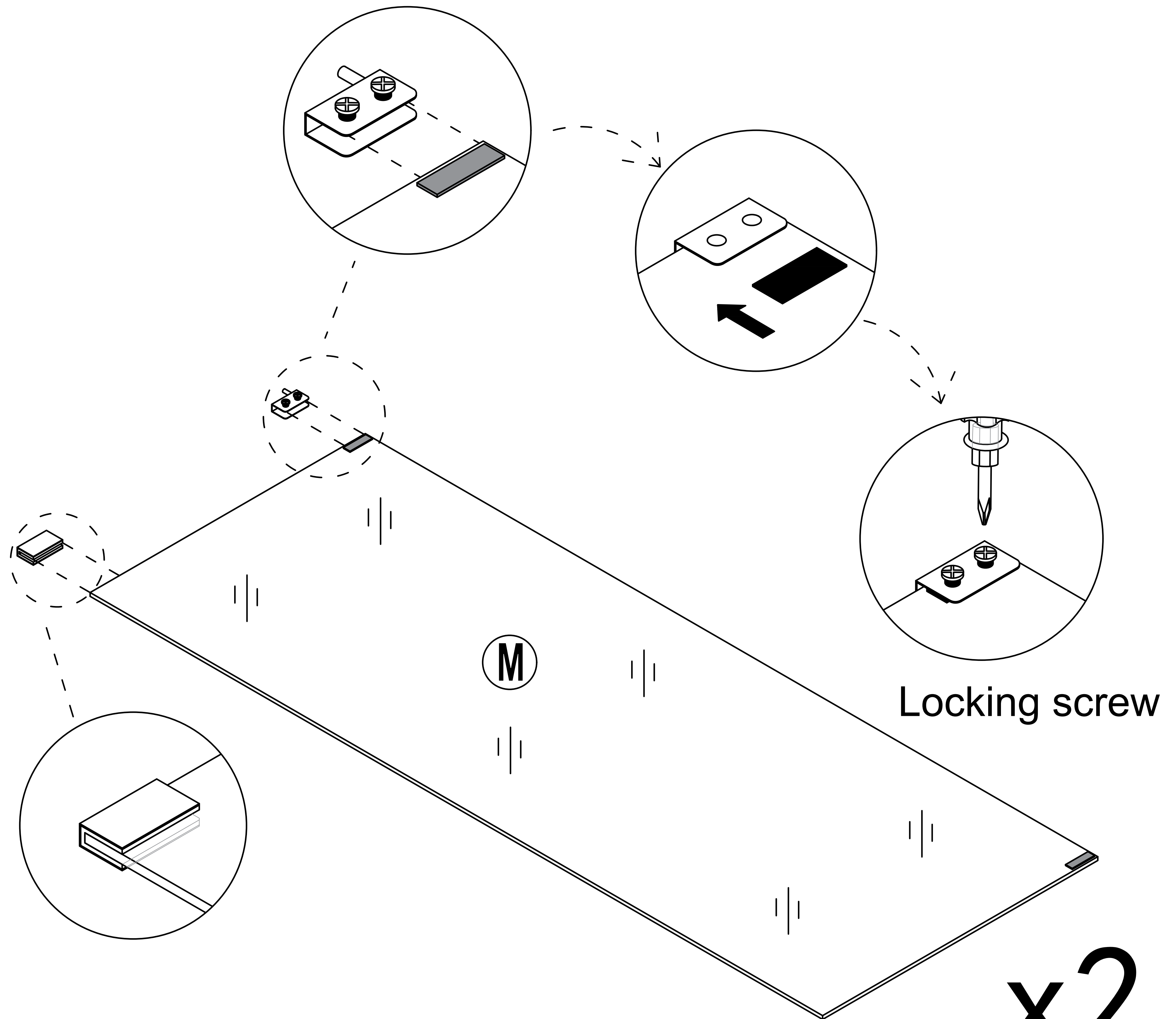
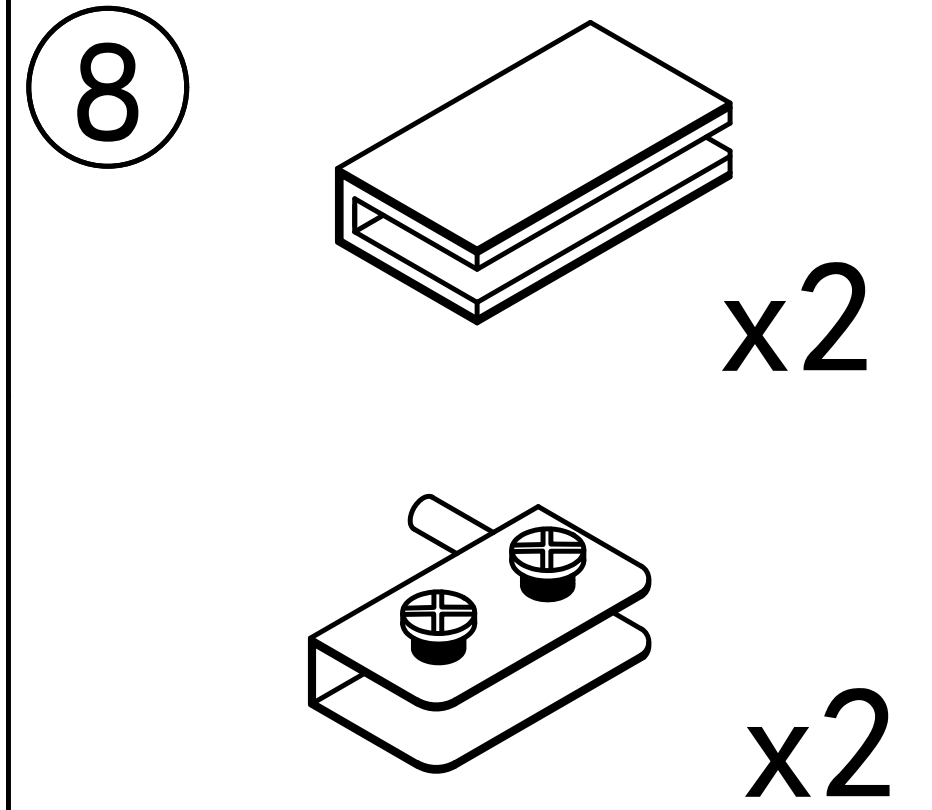
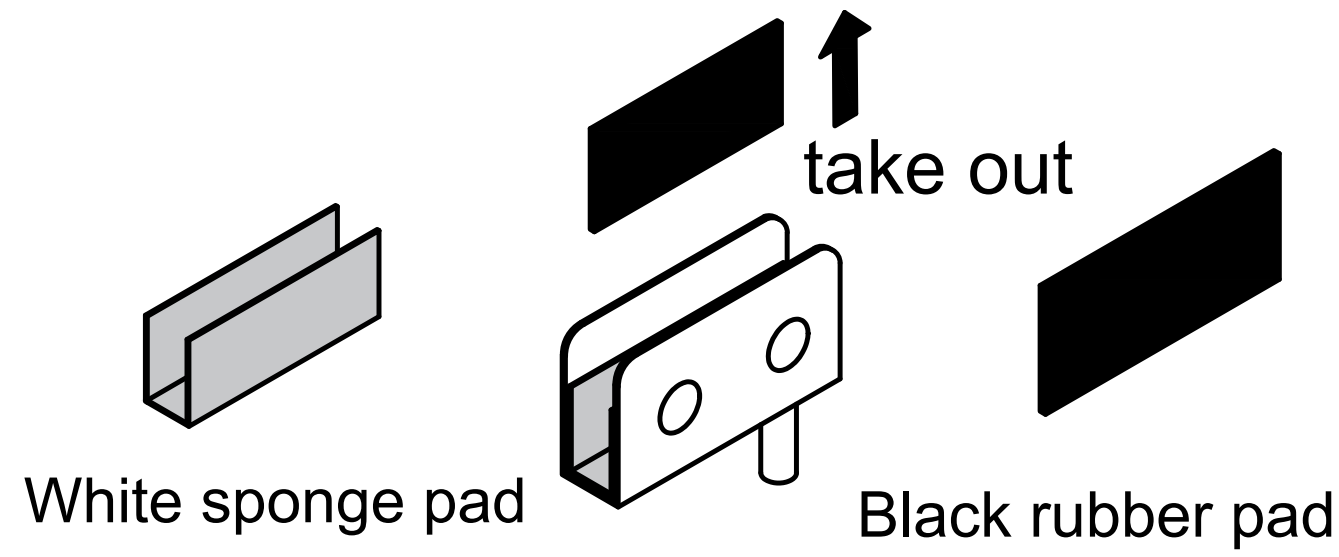


Step 33

First, completely unscrew the screws on the parts



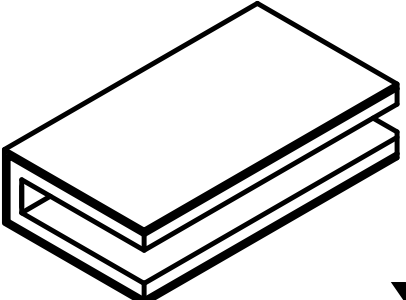
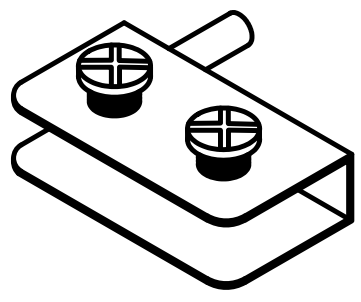
Then take out the black rubber pad from the inside of the part, and the white sponge remains unchanged inside the part.

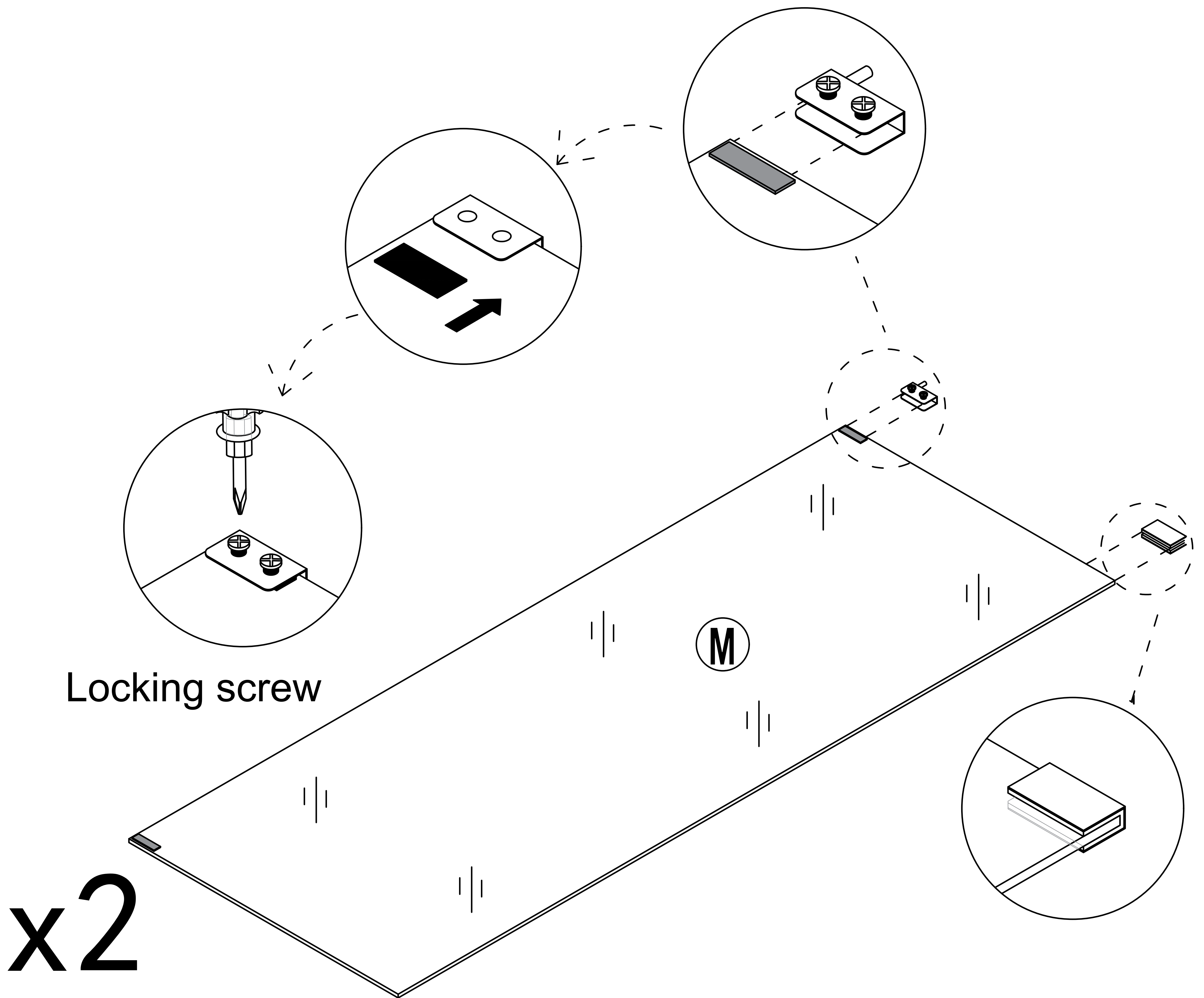


Pay attention to the direction of the door hinge, rotate the screws to compress the black gasket, and do not place it in the opposite direction

Place the black gasket on the side where the screws are installed

Step 34

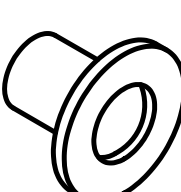
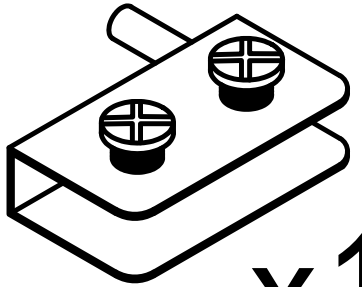
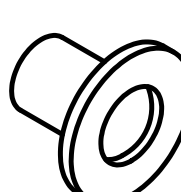
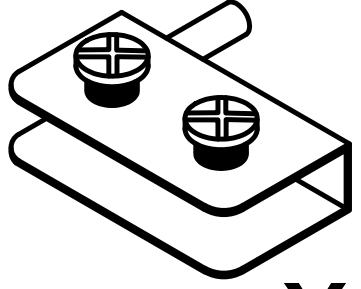
- 8  x2
-  x2

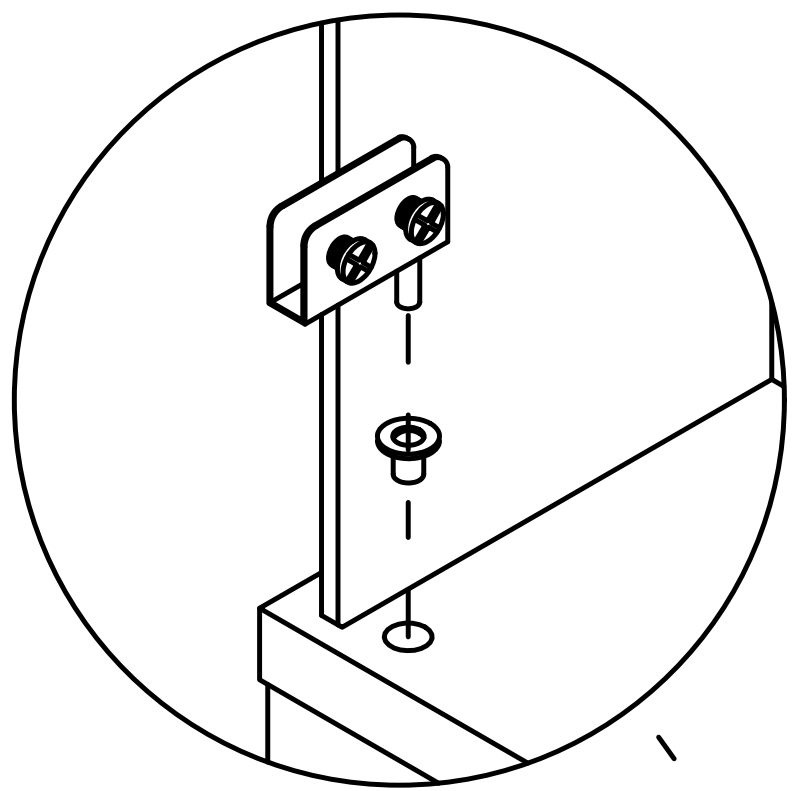
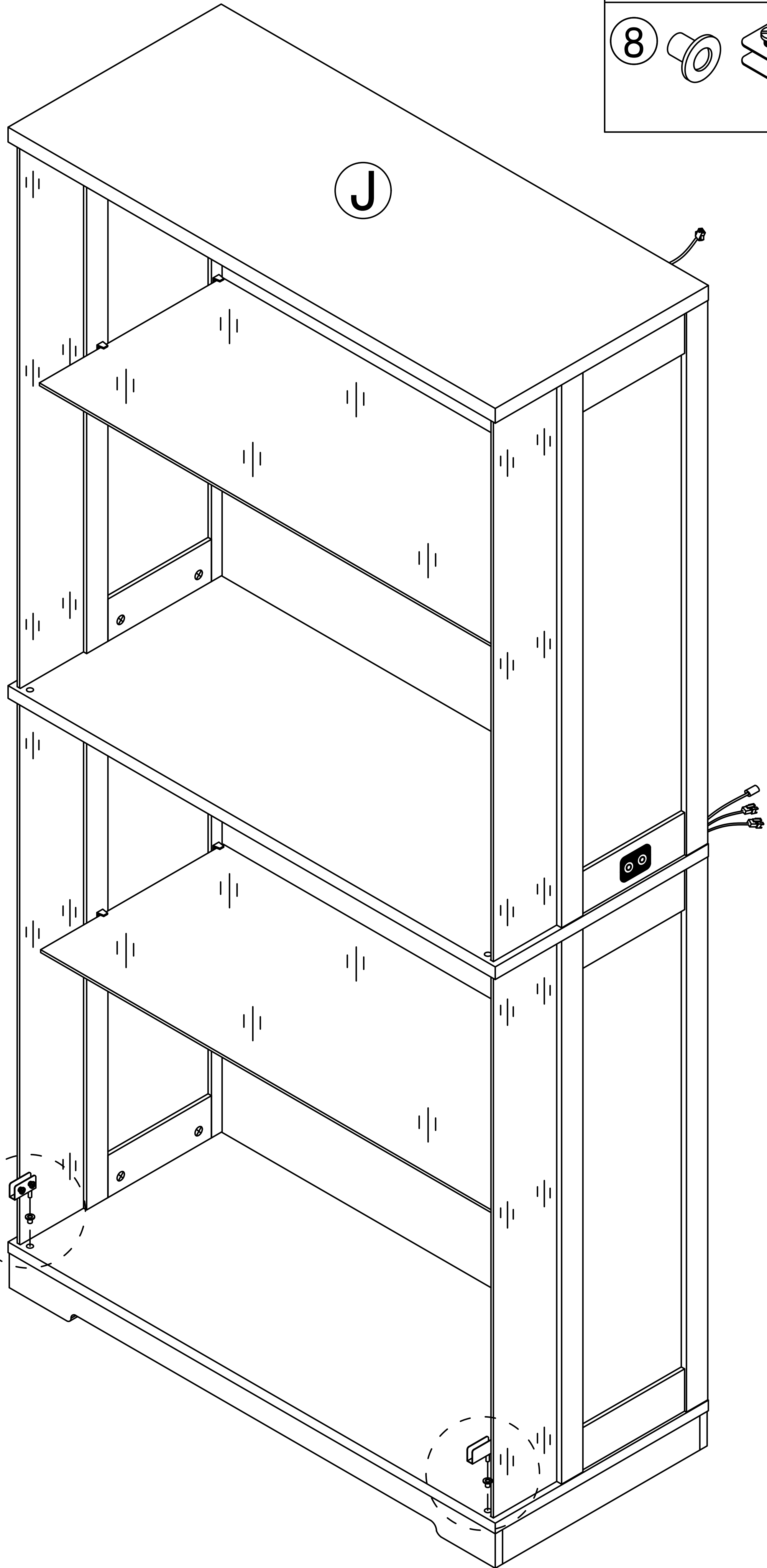


Pay attention to the direction of the door hinge, rotate the screws to compress the black gasket, and do not place it in the opposite direction

Place the black gasket on the side where the screws are installed

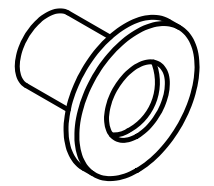
Step 35

- 8   x1
- 8   x1



Pay attention to the direction of the door hinge during installation

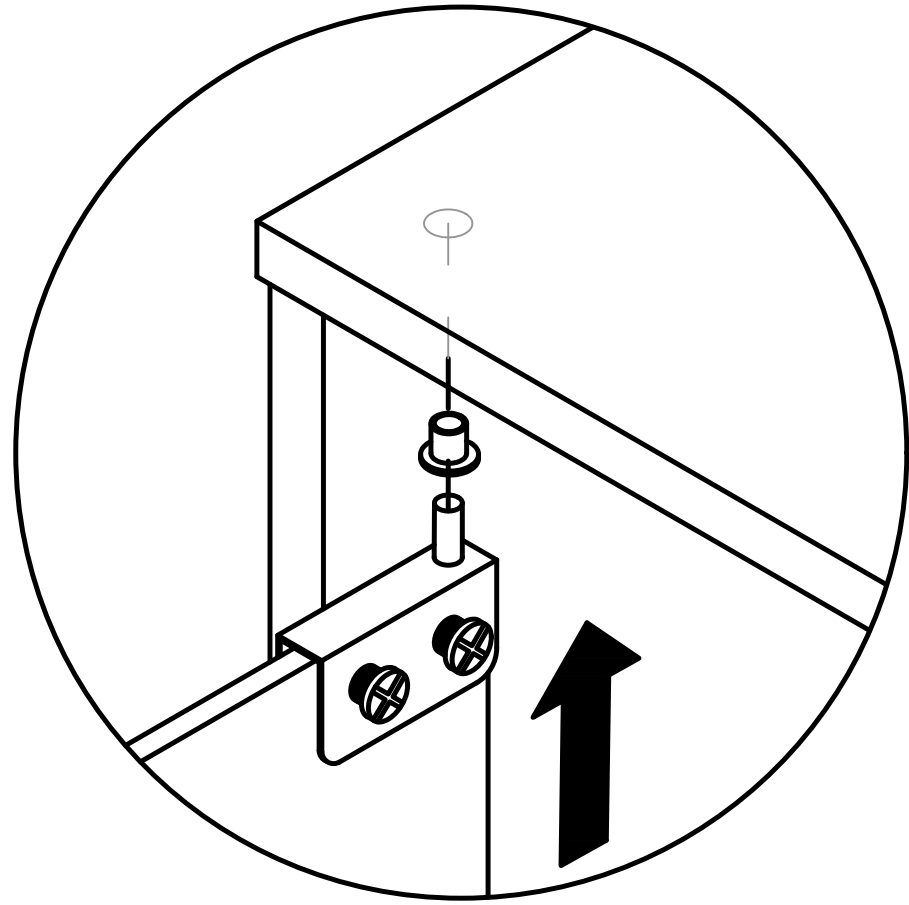
8



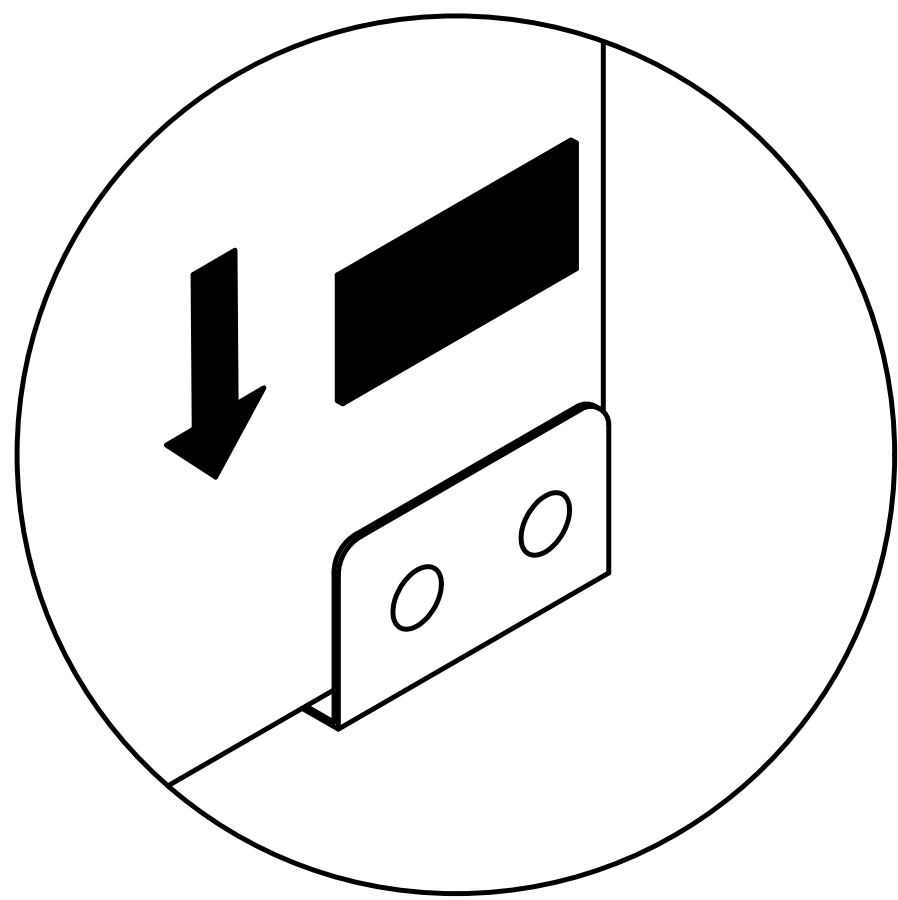
x2

Step 36

When installing a glass door, it is recommended to have two people install it to avoid the glass door colliding or hitting oneself.

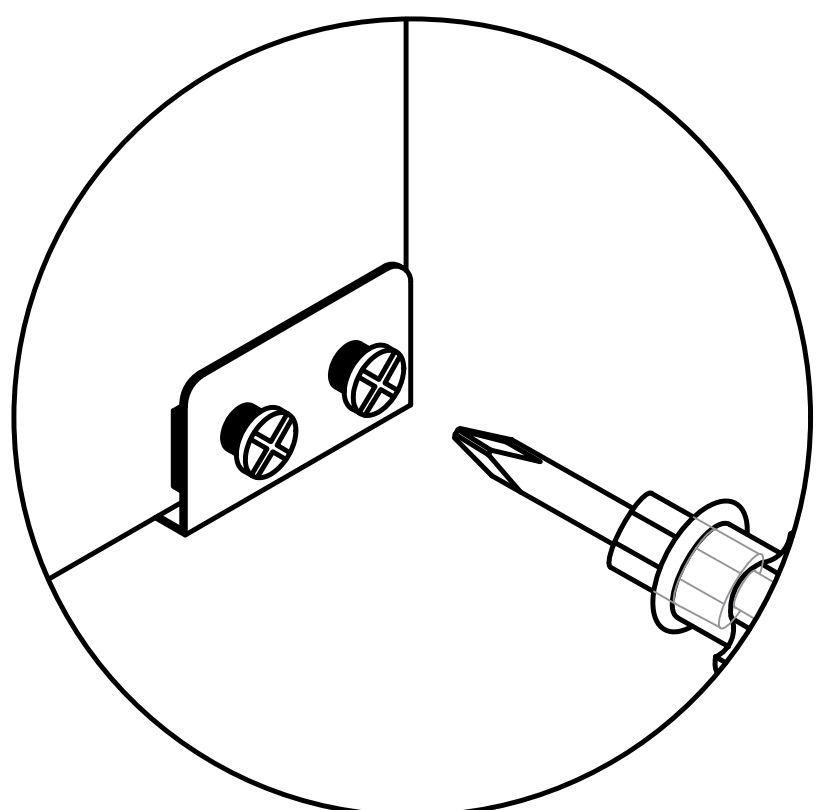


first



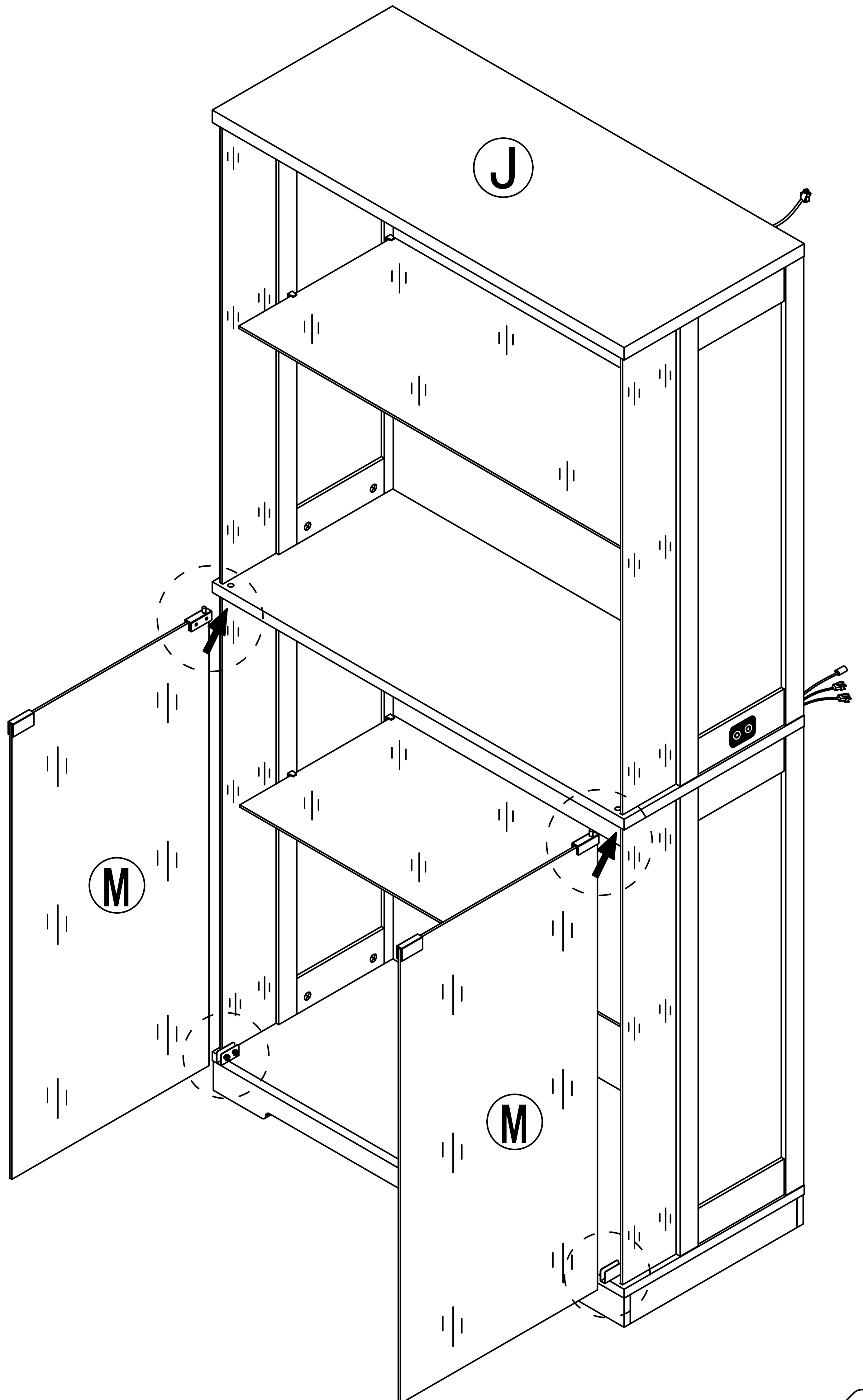
second

After installing the glass door, place the black gasket on the side where the screws are installed

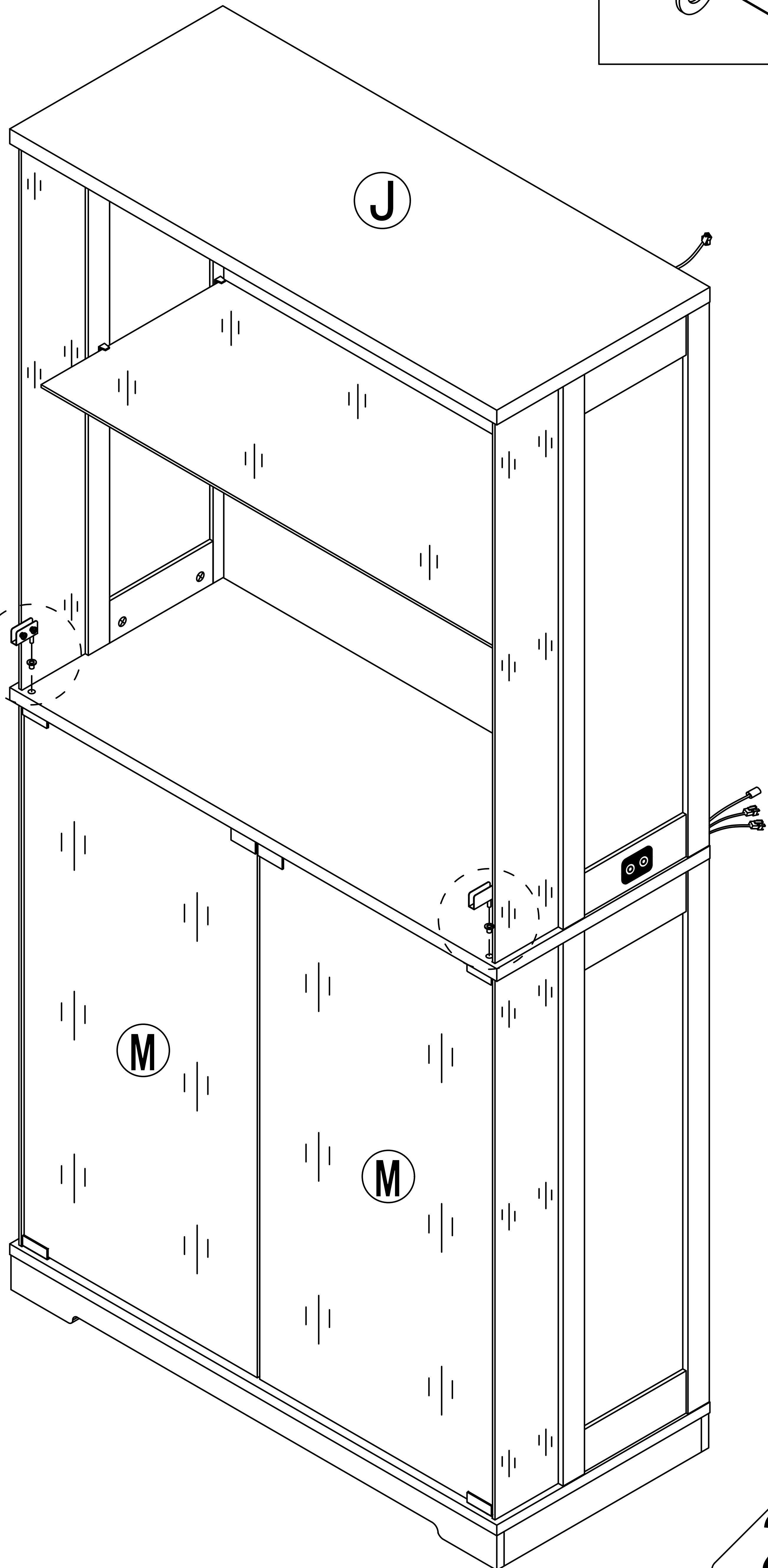
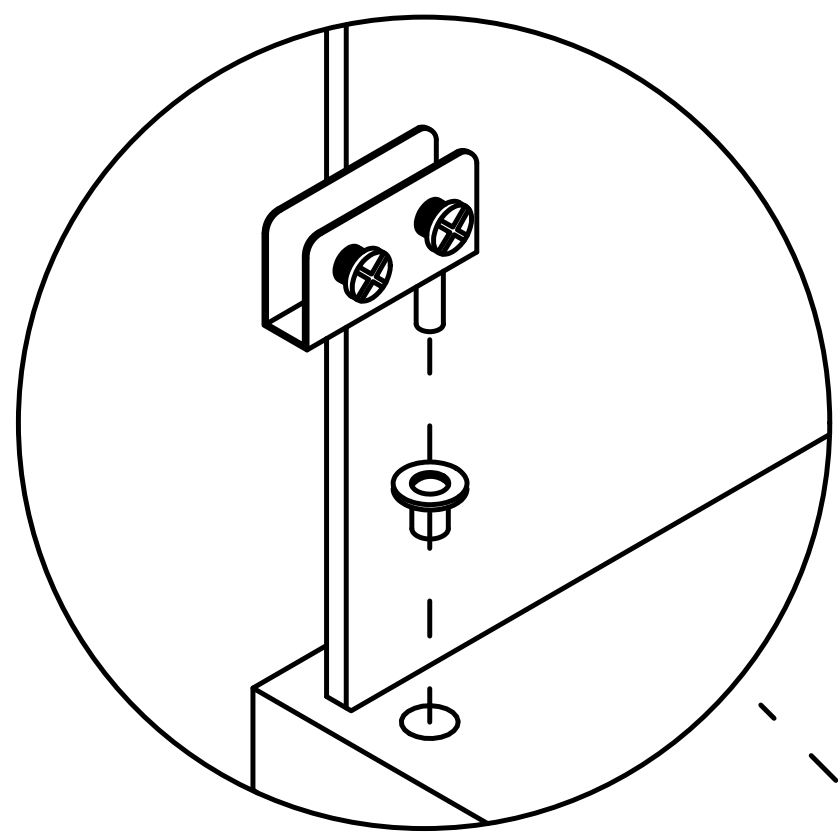
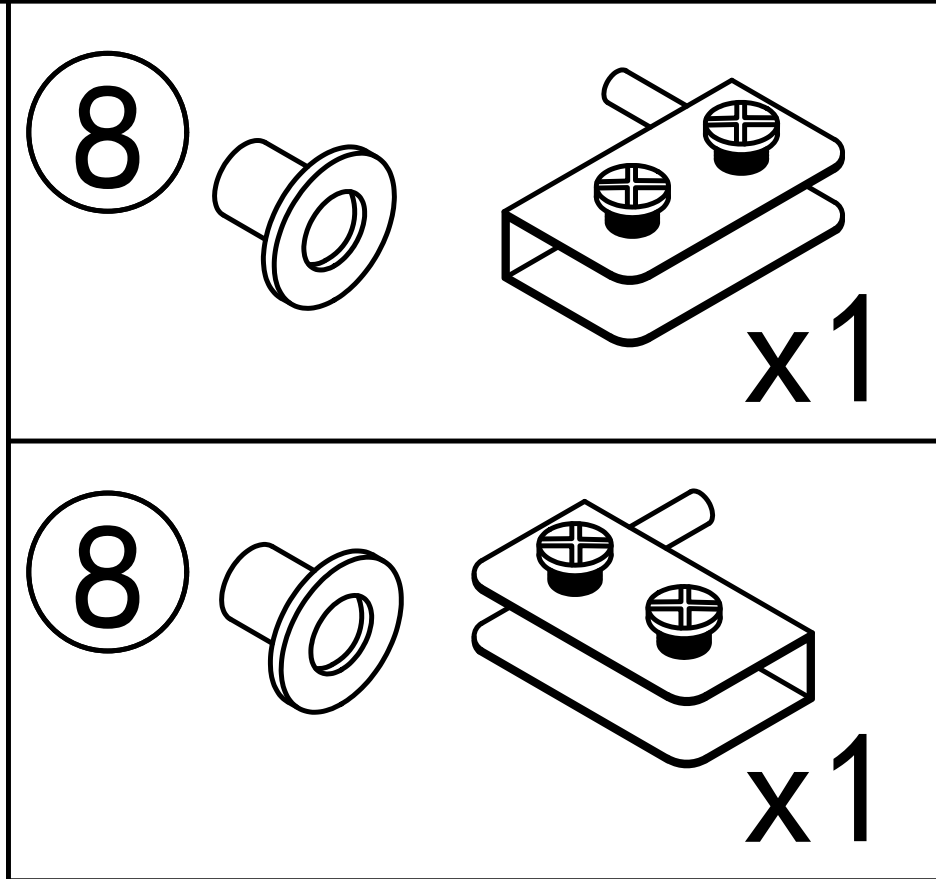


third

Locking screw



Step 37



Step 38

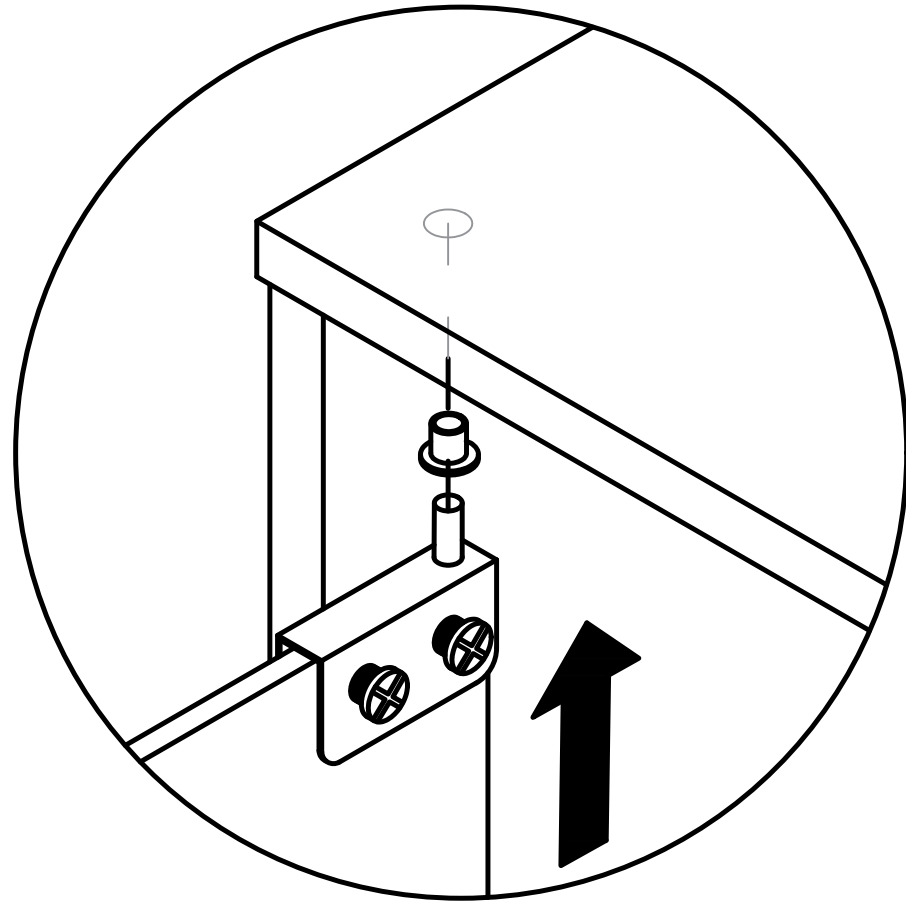
Pay attention to the direction of the door hinge during installation

8

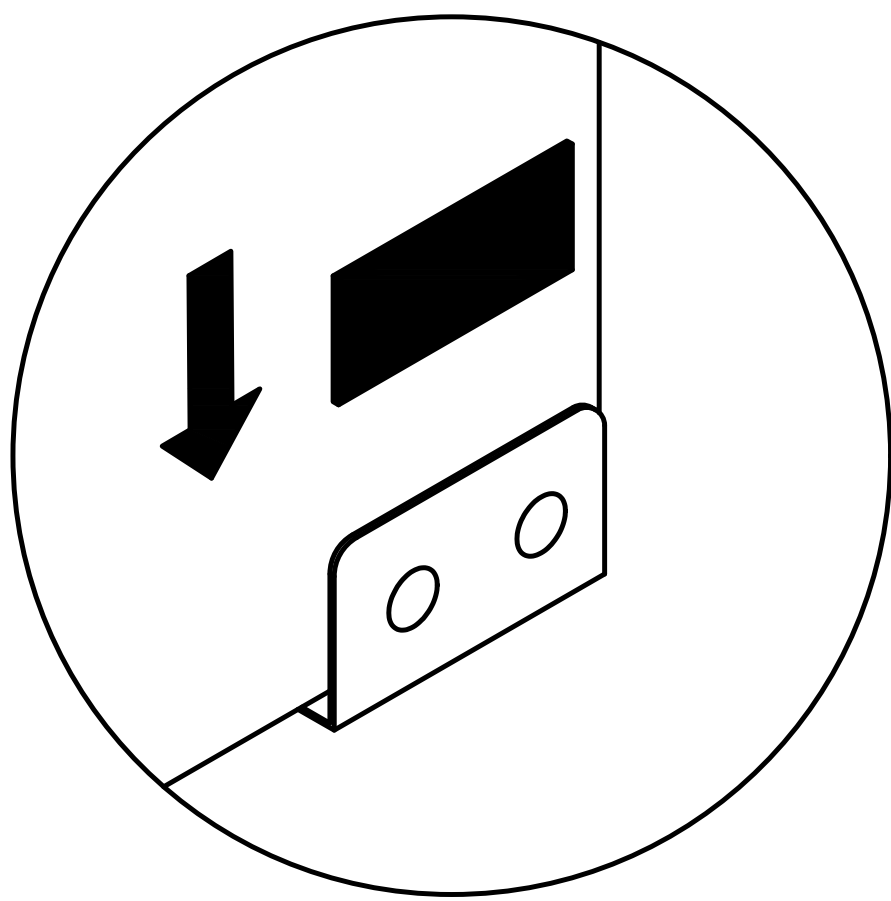


x2

When installing a glass door, it is recommended to have two people install it to avoid the glass door colliding or hitting oneself.

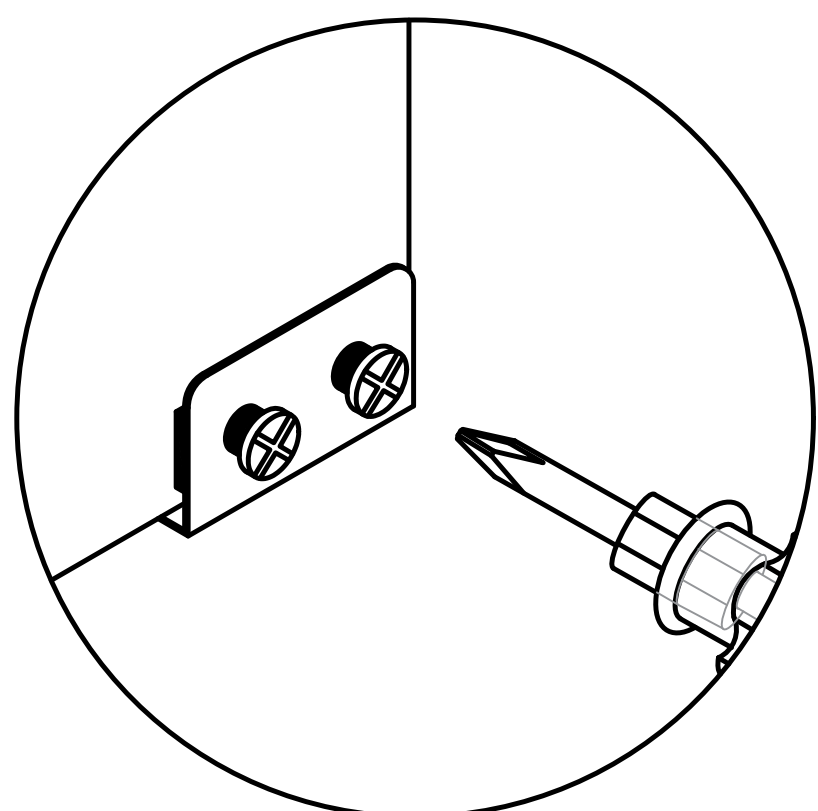


first



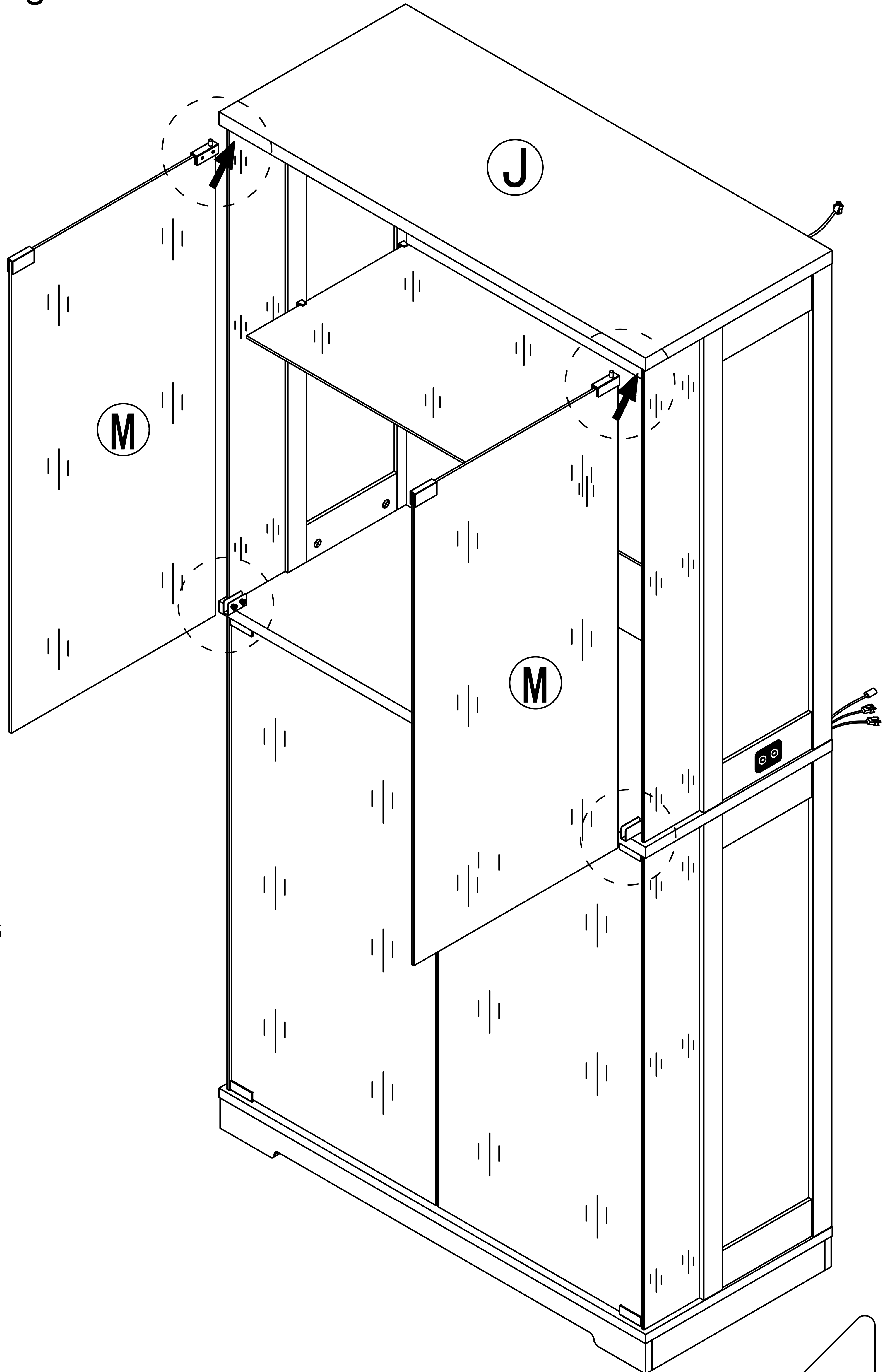
second

After installing the glass door, place the black gasket on the side where the screws are installed

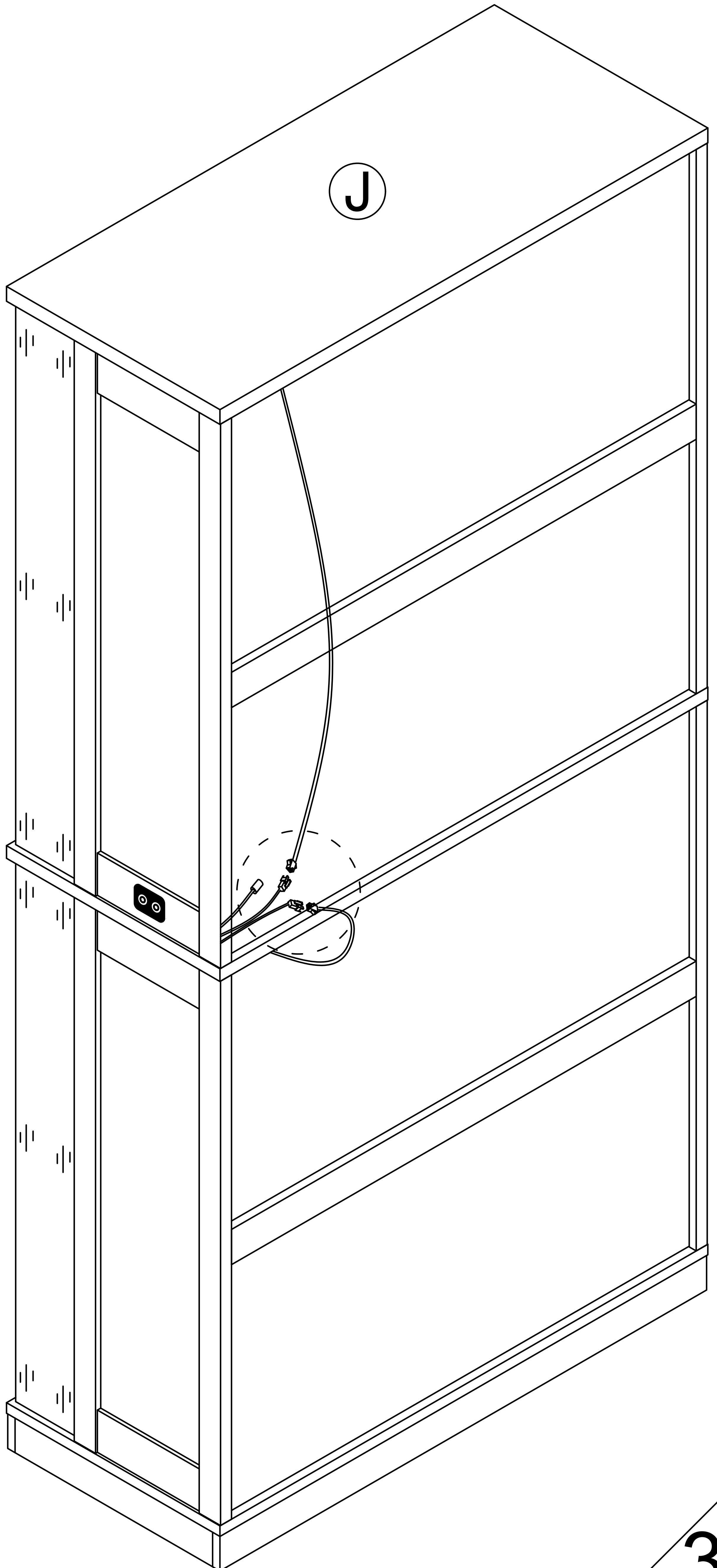
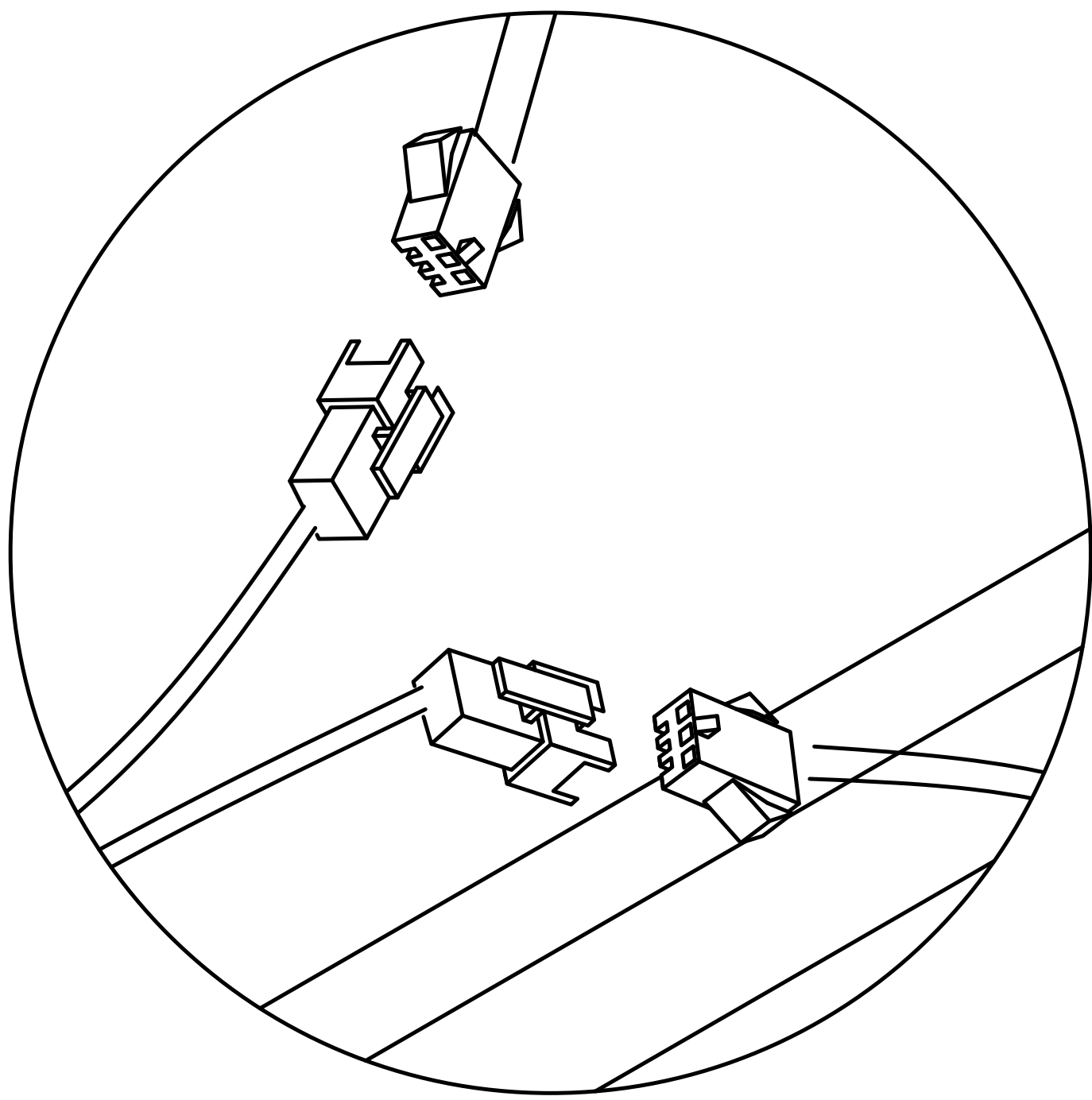


third

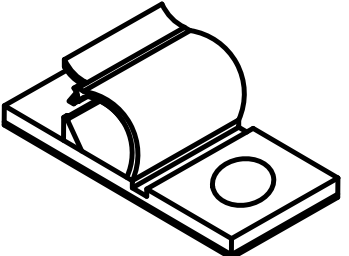
Locking screw

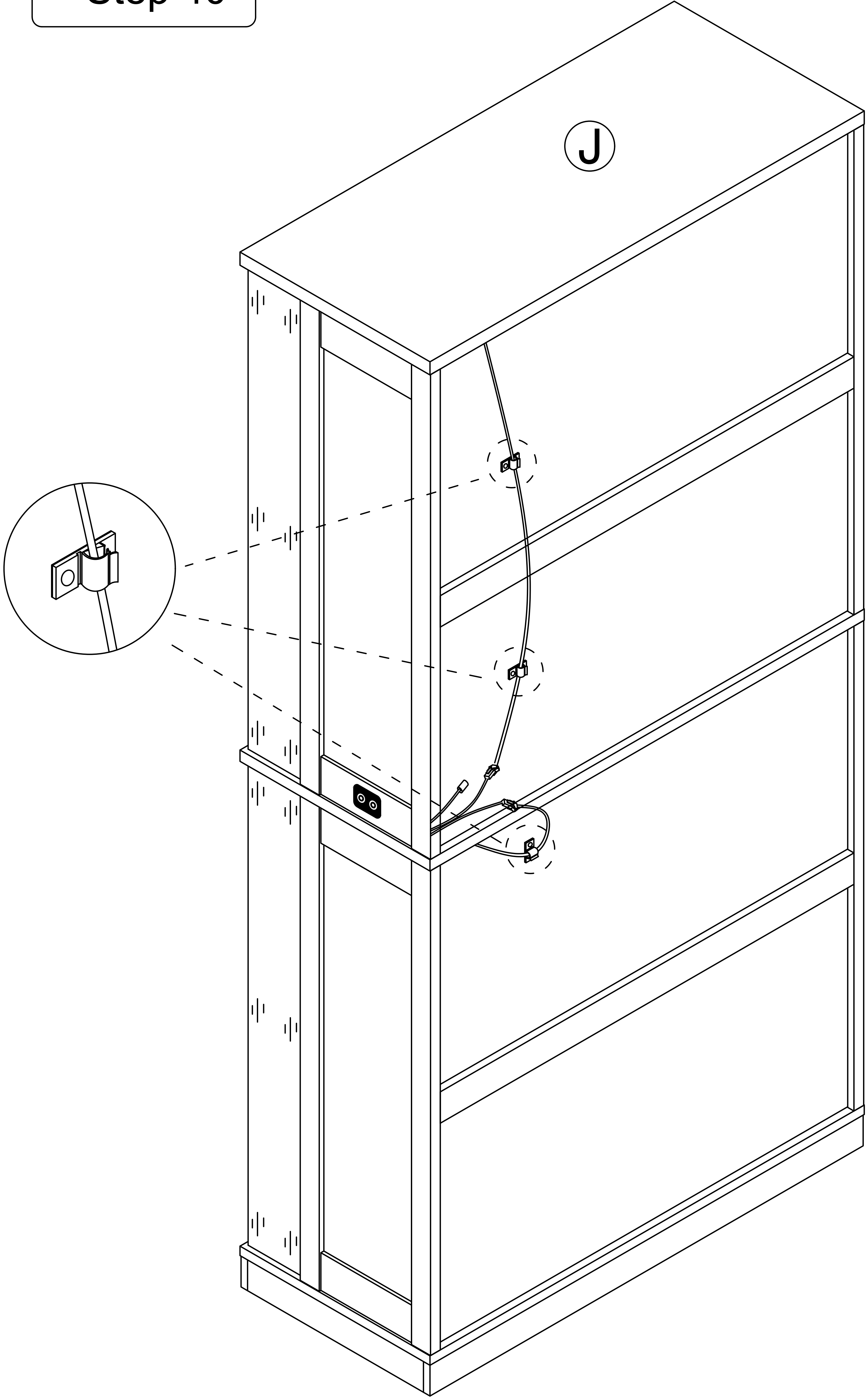


Step 39

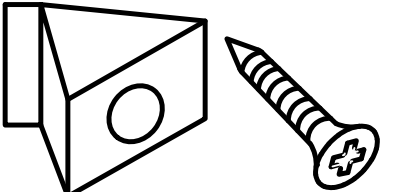


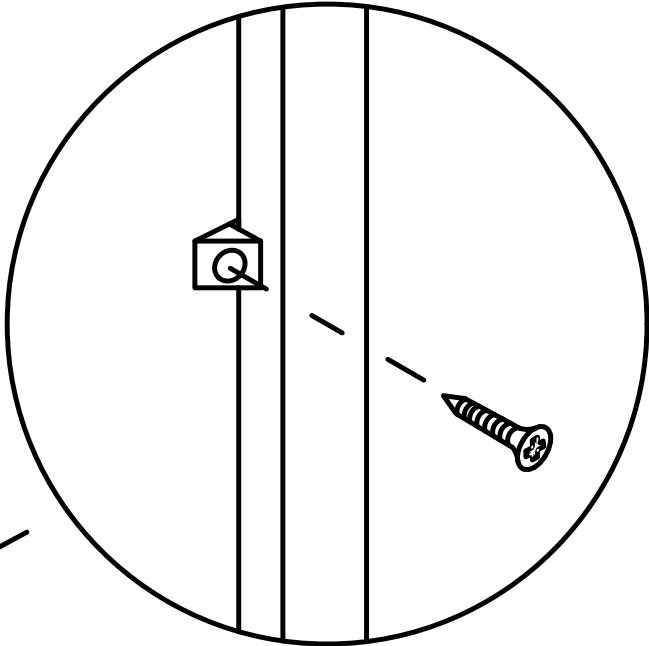
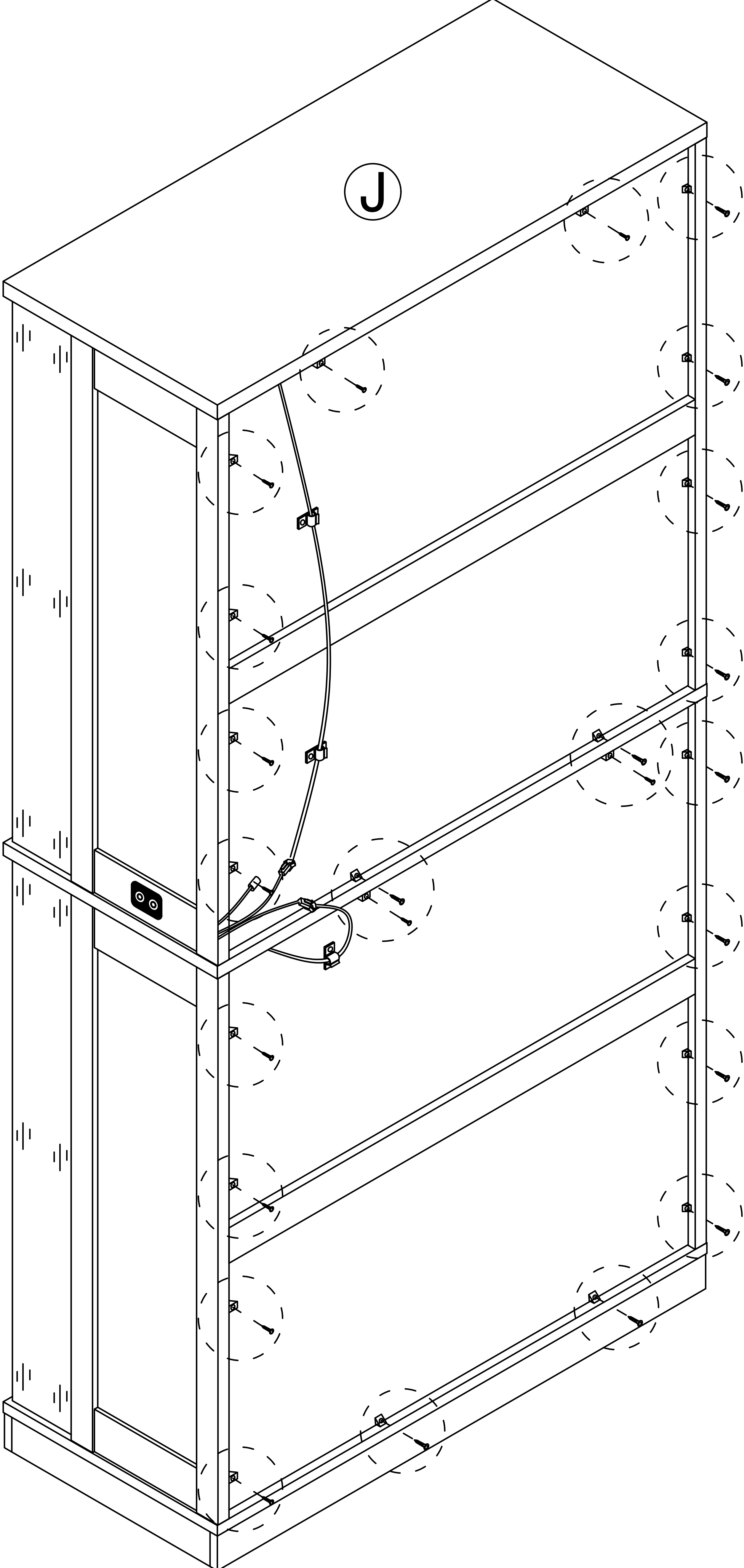
Step 40

6  x3

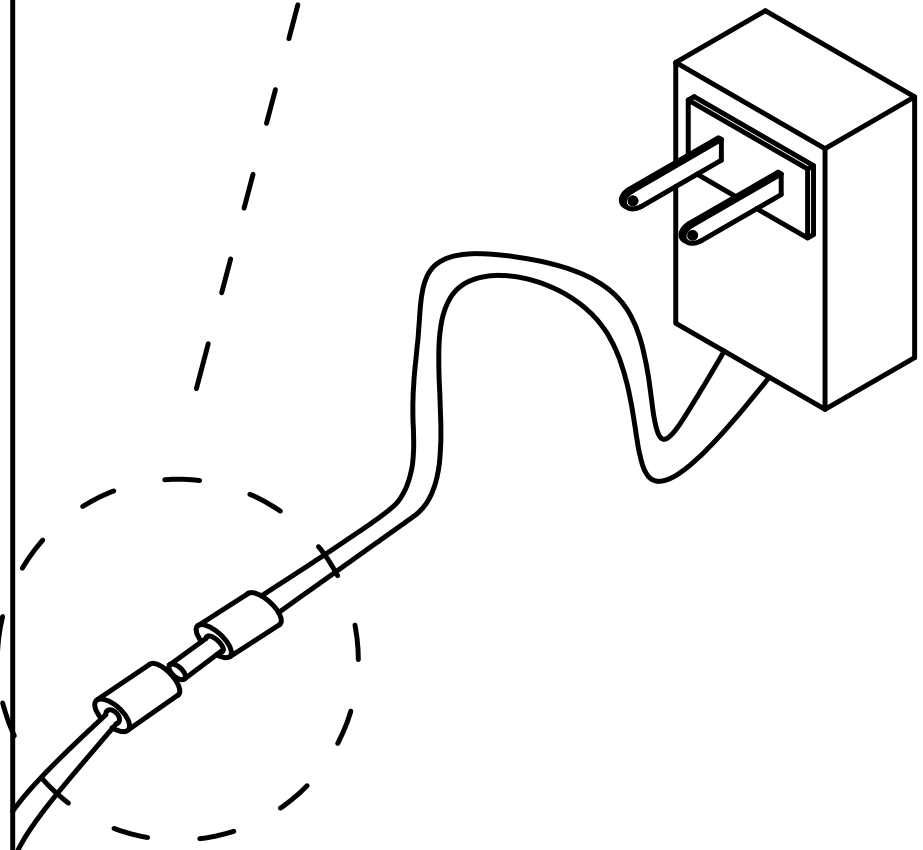
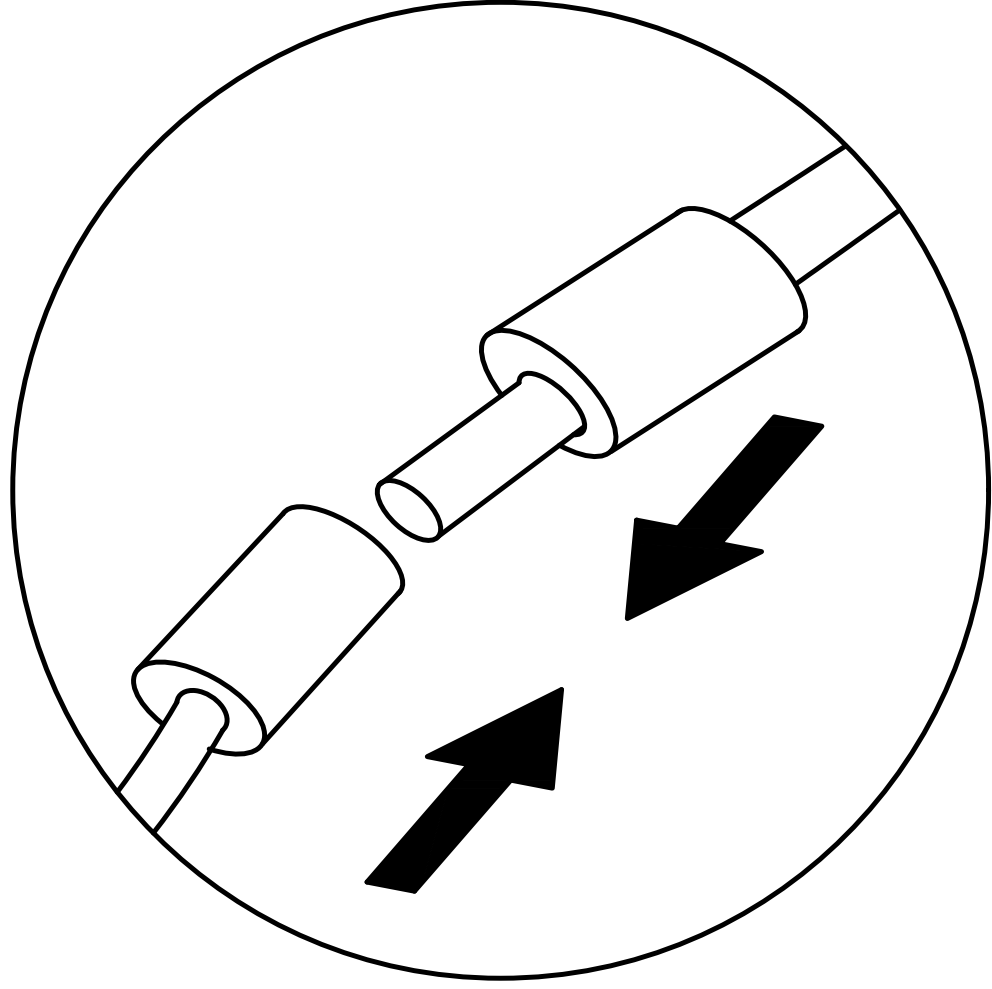
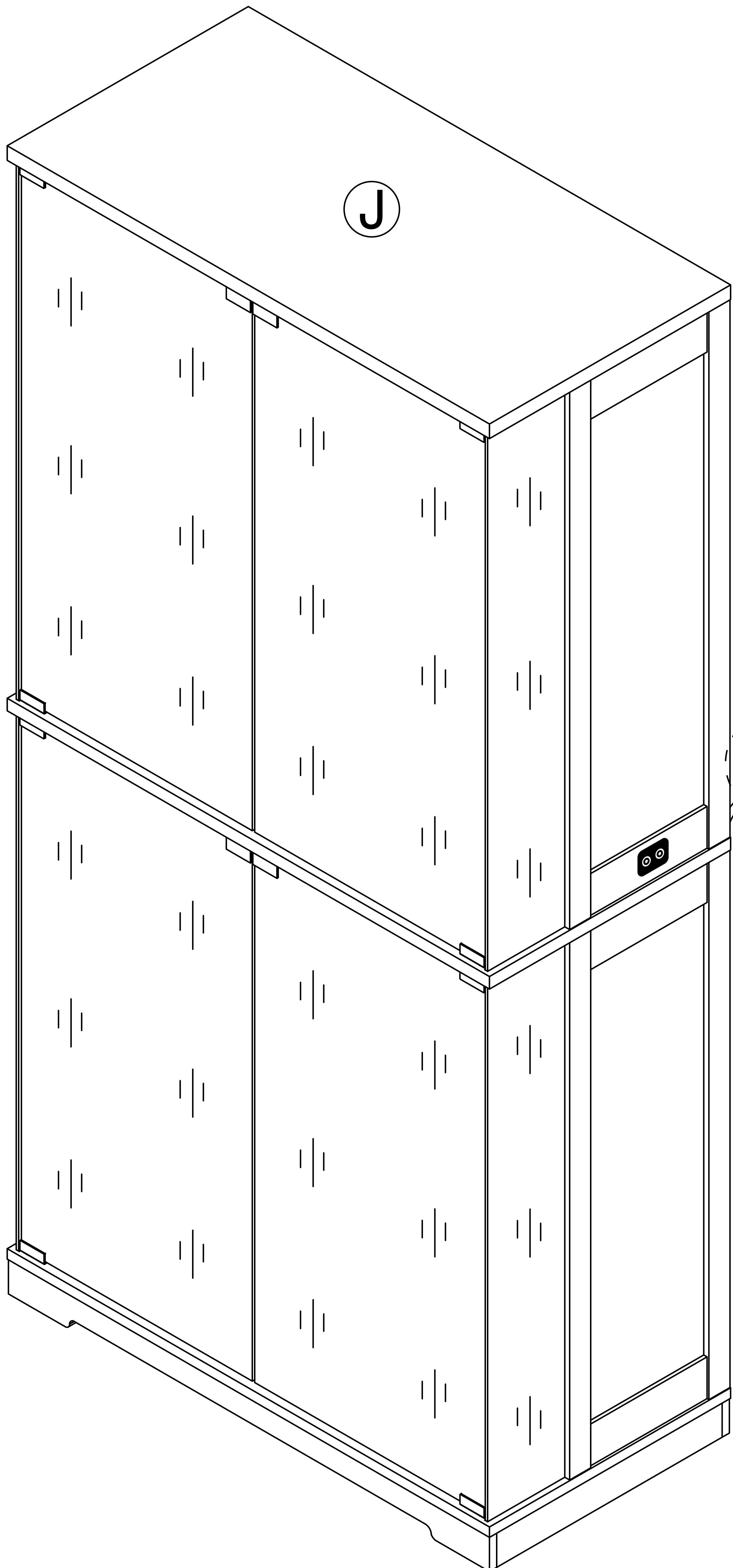
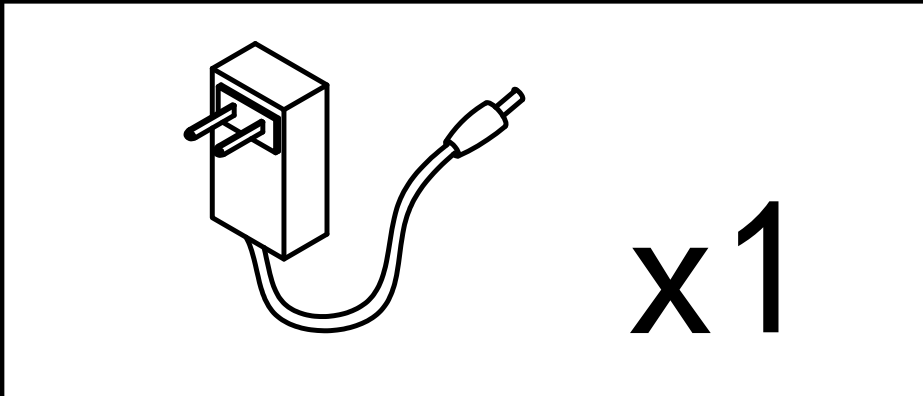


Step 41

5  x24

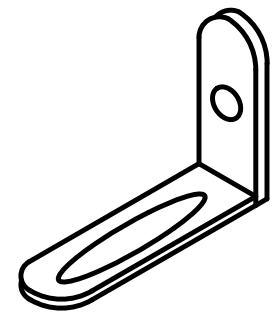
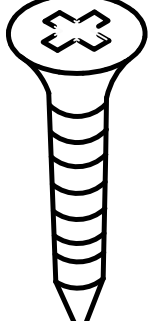
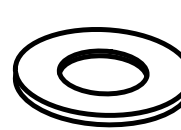


Step 42

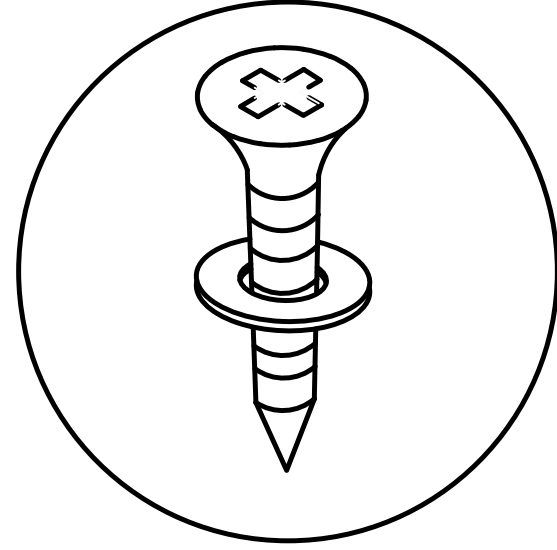


Step 43

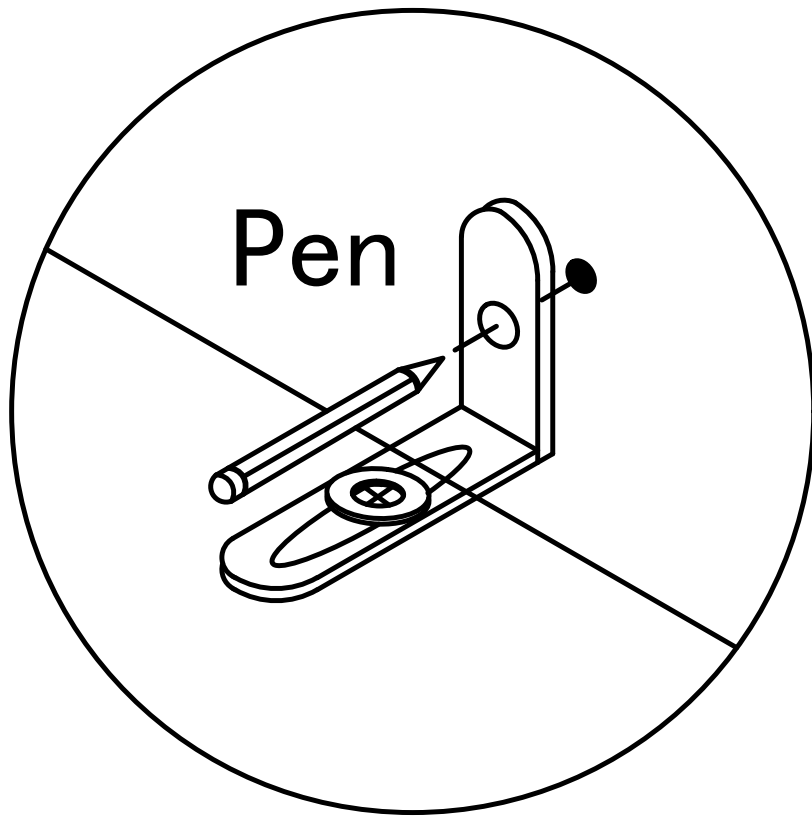
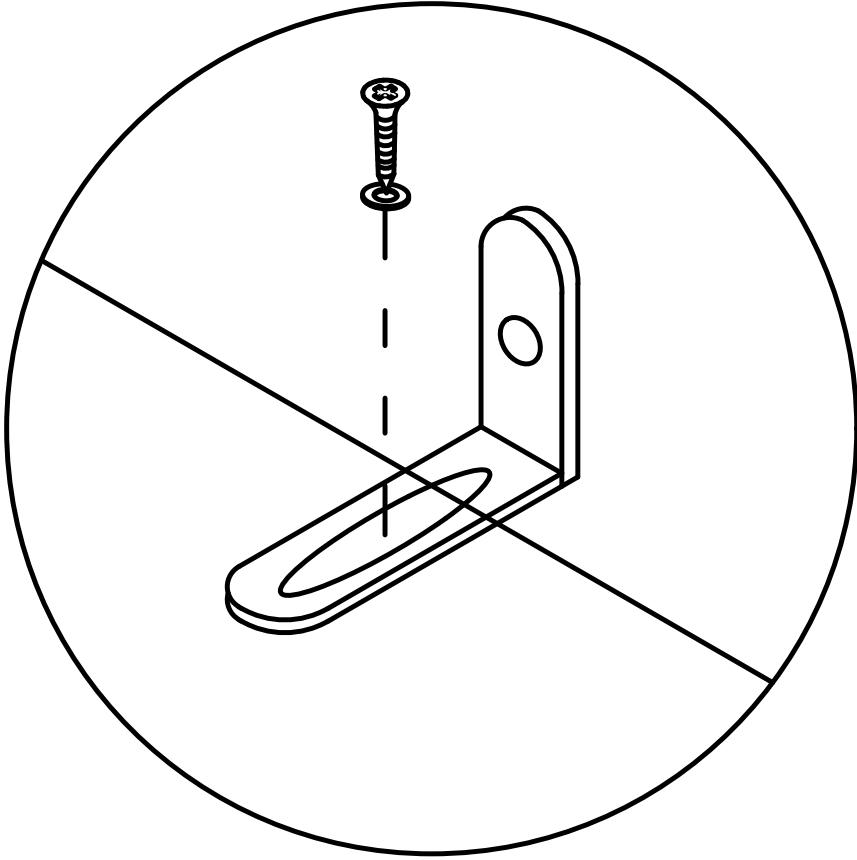
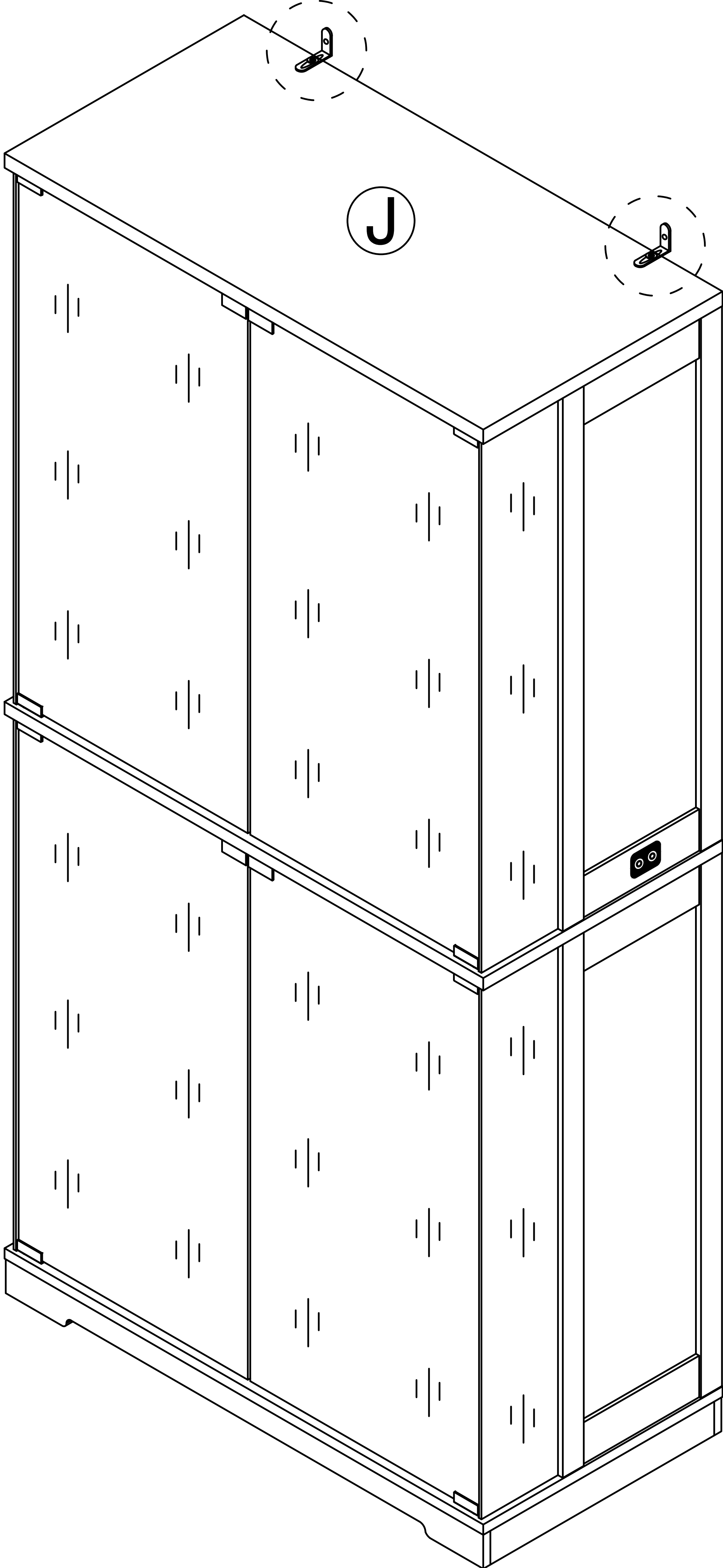
Install as required

9  x2  x2
 x2

3.5x14mm


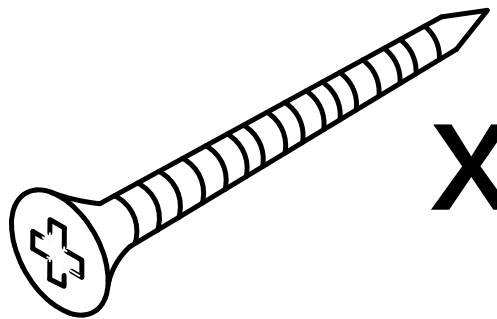



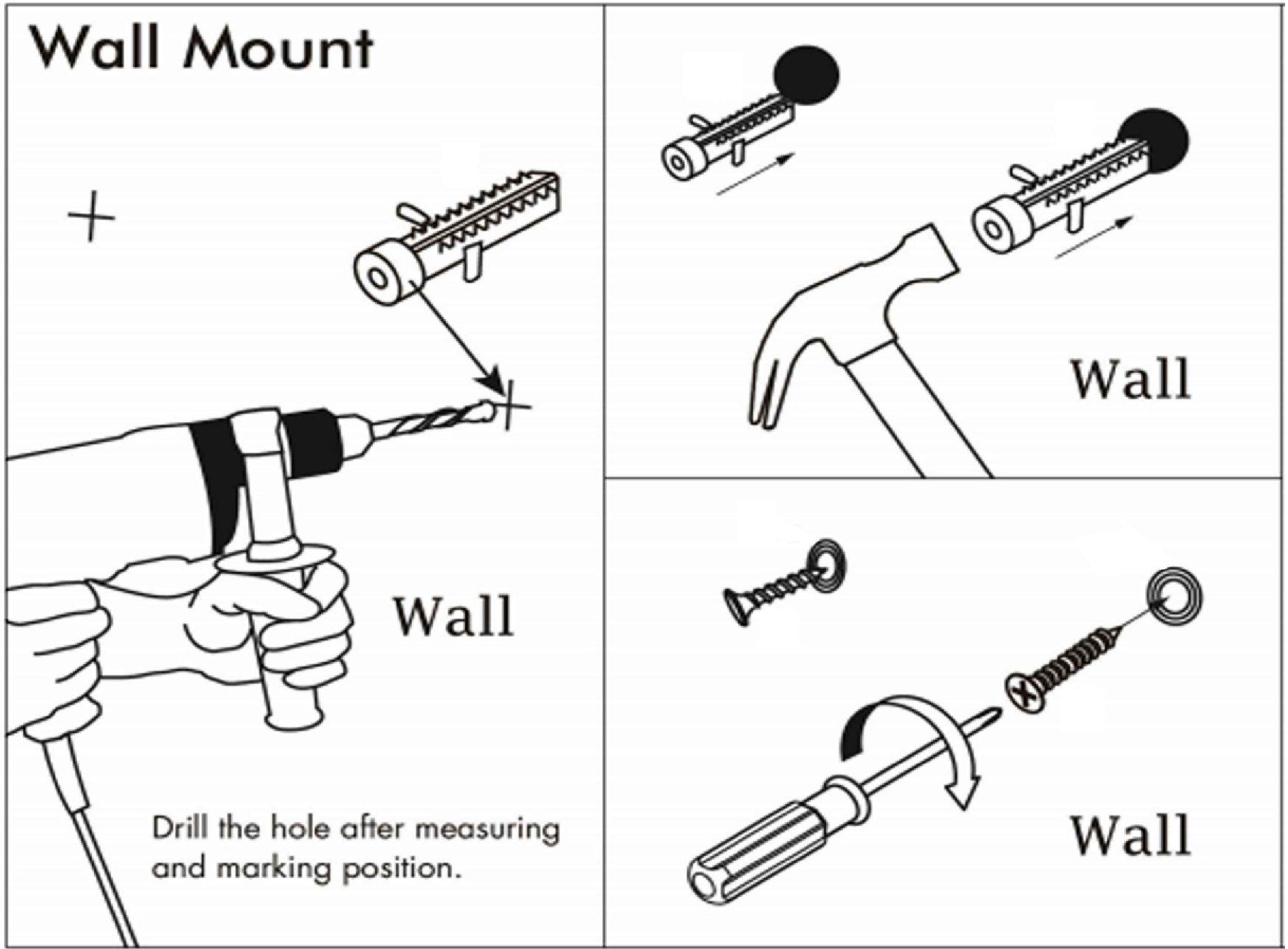
Install the anti fall hardware on the cabinet as shown in the picture first



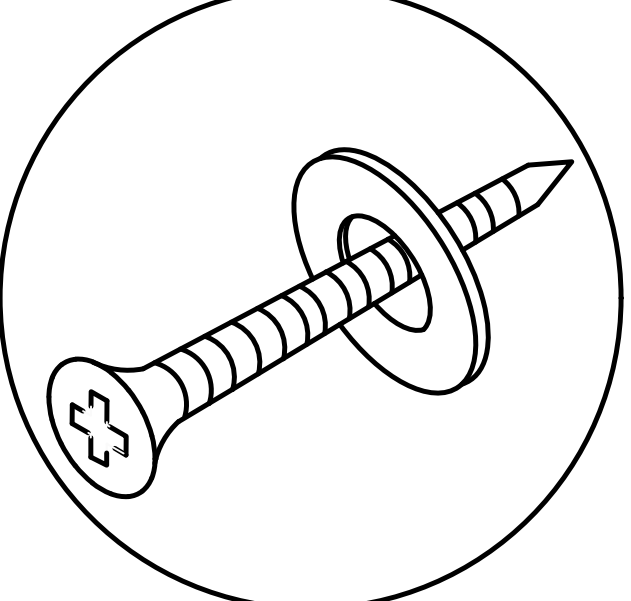
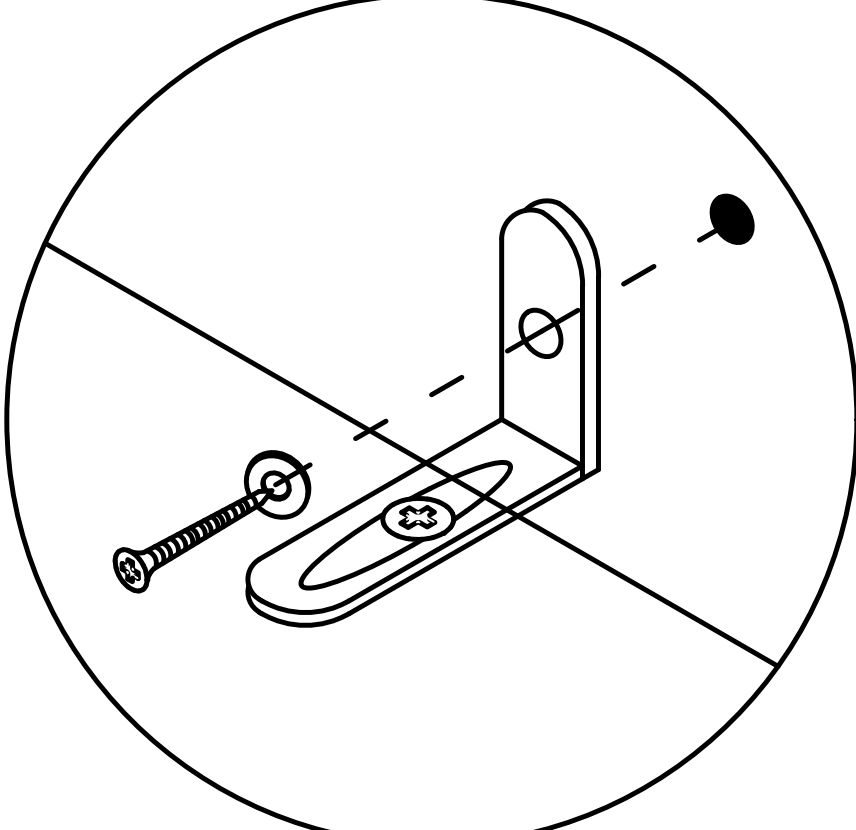
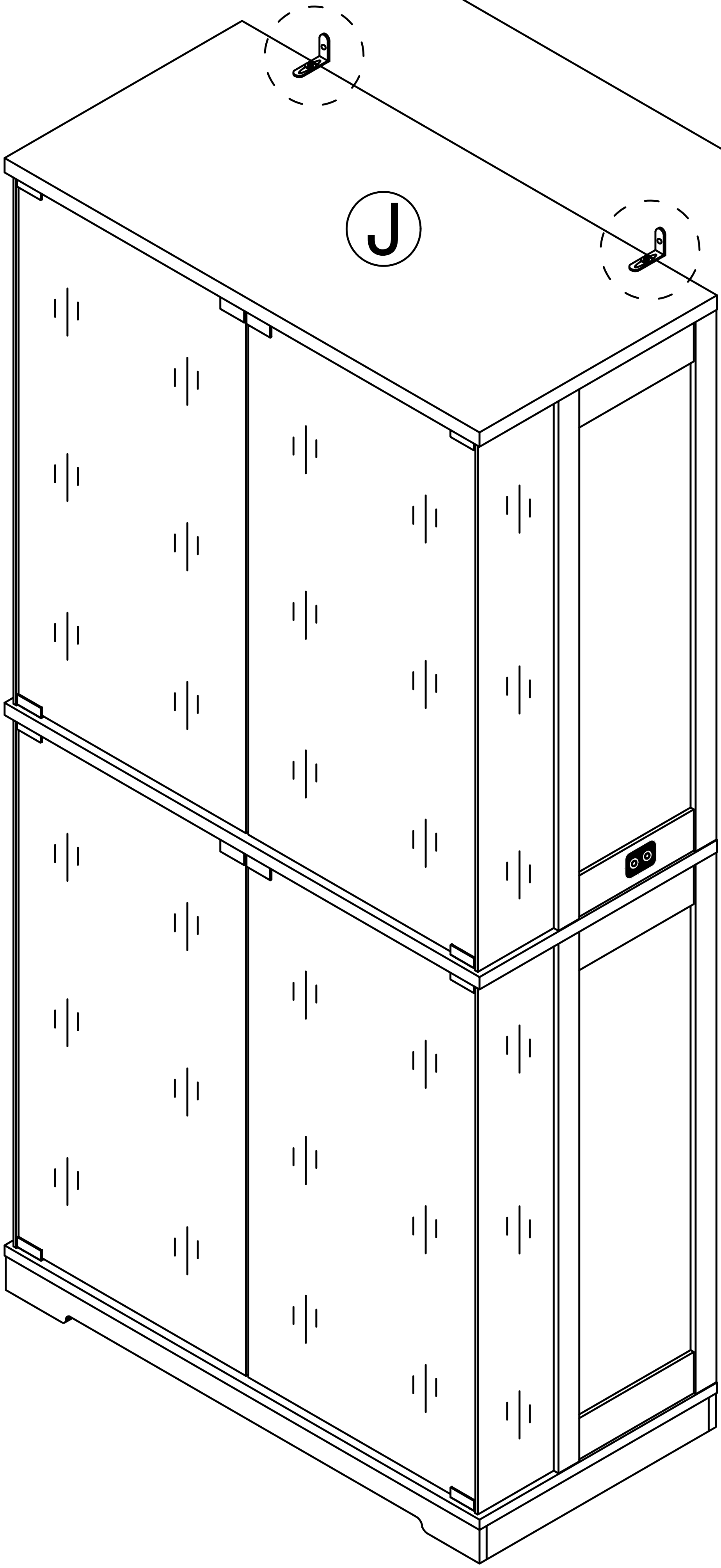
Then mark the wall with a pen through the holes in the anti-fall hardware

Step 44

- 9  x2
-  x2  x2



Drill the hole with an electric drill and punch in the colloidal particles



4x45mm

Fix the dressing table to the wall

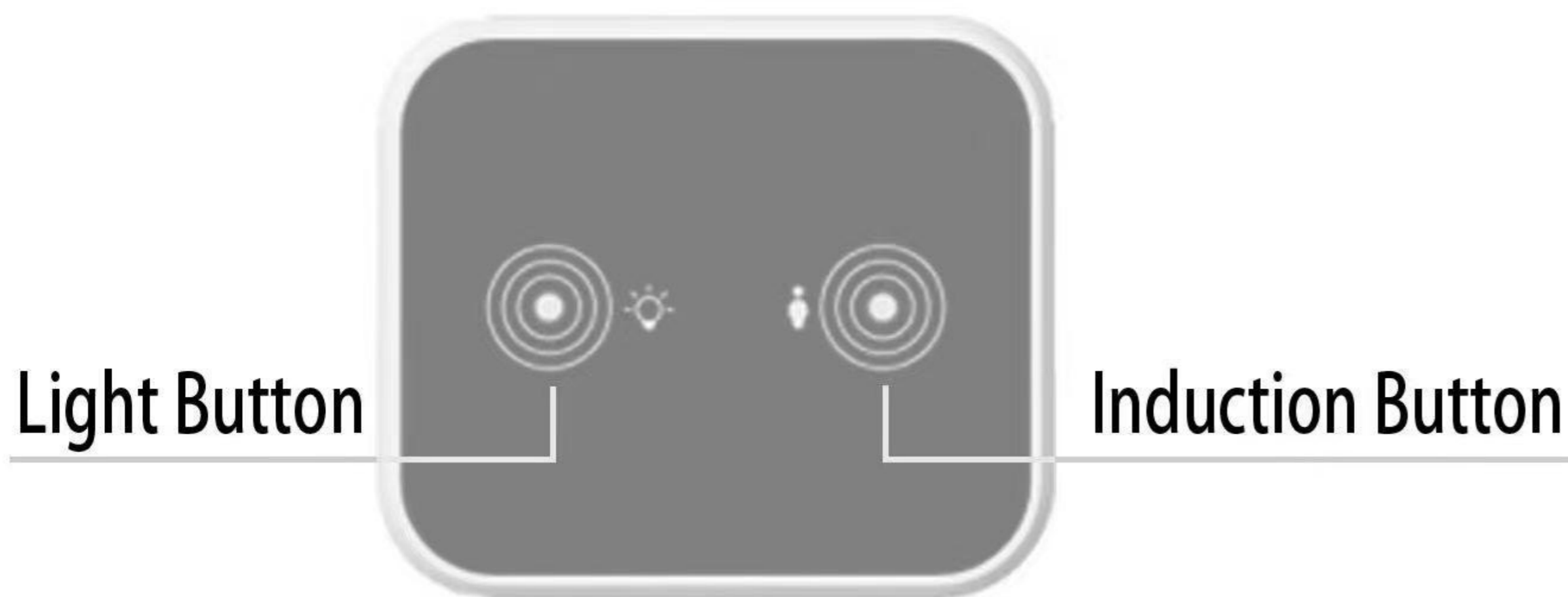
User's Guide

Thank you for purchasing this product. To use this product, please plug it into a 12V DC power supply. Please use if the product works normally after connecting to power.

Introduction

The box is an intelligent controller with 2 touch buttons. It can turn ON/OFF the light, change light colors, and adjust the light luminance.

Product Show



ATTENTION PLEASE

1. If there is no touch response suddenly, Re-plug the power to reset the touch static electricity.
2. If bubbles appear on the panel, remove the protective film.

Operation



This touch button is used to turn on/off, change colors, and adjust brightness.

A. Short touch -> lighting on -> short touch -> change light color -> short touch -> change light color -> short touch -> lighting off. B. Long touch -> adjust the luminance



This touch button is used to turn on/off the induction function.

A. Short touch to turn on the induction function. It can auto-turn on the light when people are close to the controller in 1 meters. It can auto power off the light when the body is far away from the controller after 30 seconds.

B. Long touch to turn off the induction function.

C. Note: When you touch the light button to change the light modes, the induction function will automatically turn off. It is best to turn on this function after selecting the light color and adjusting the brightness you want.