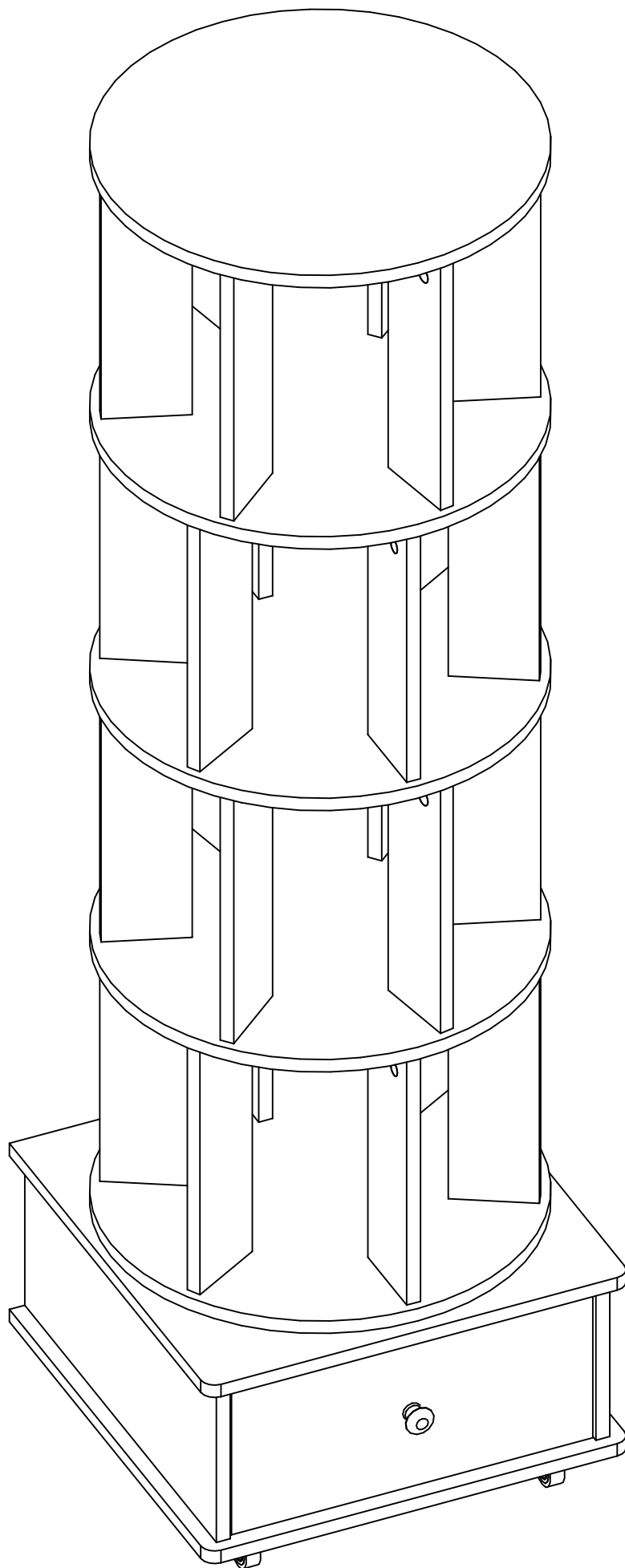
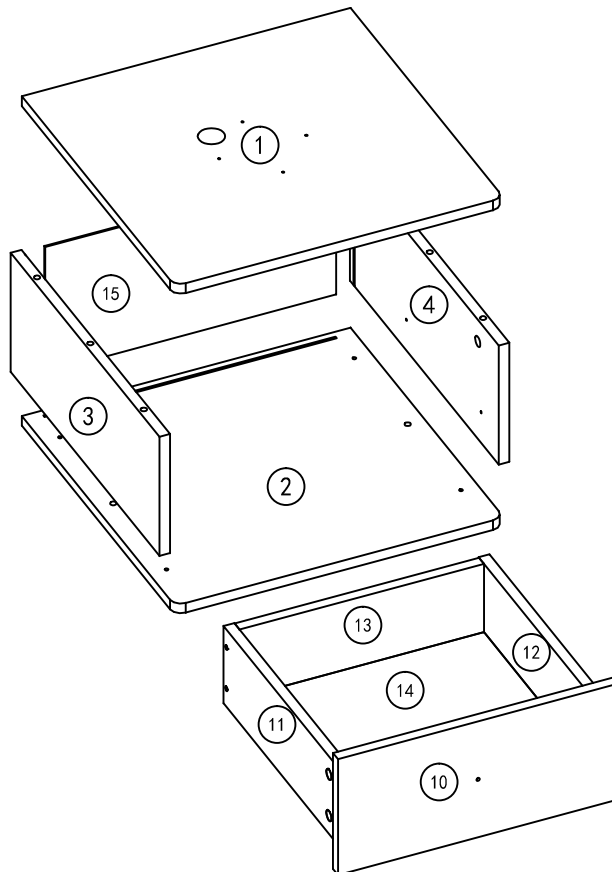
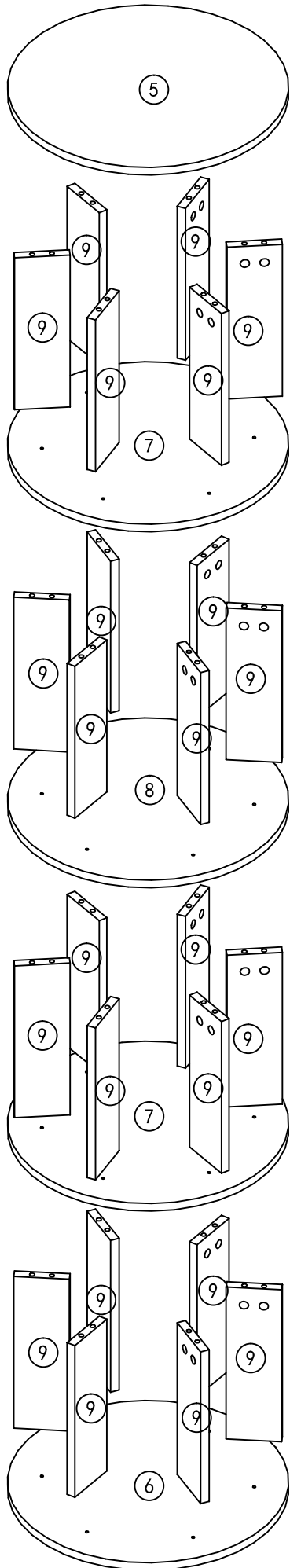
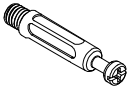

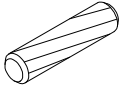
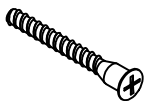
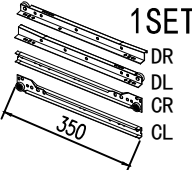



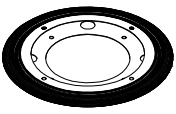
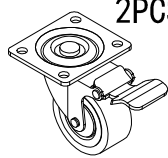
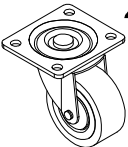
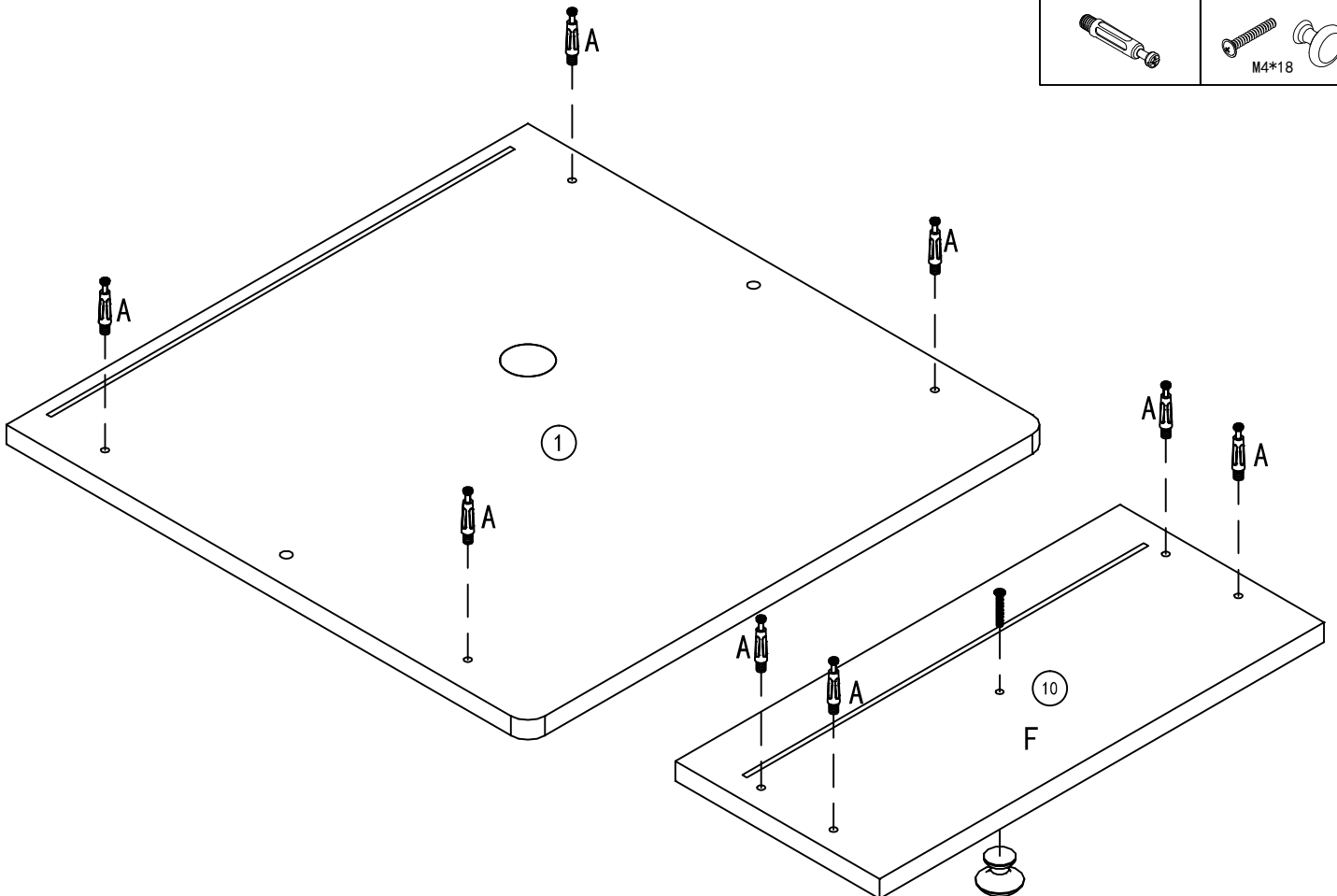
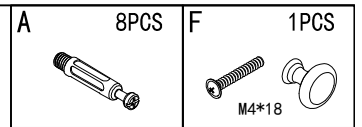
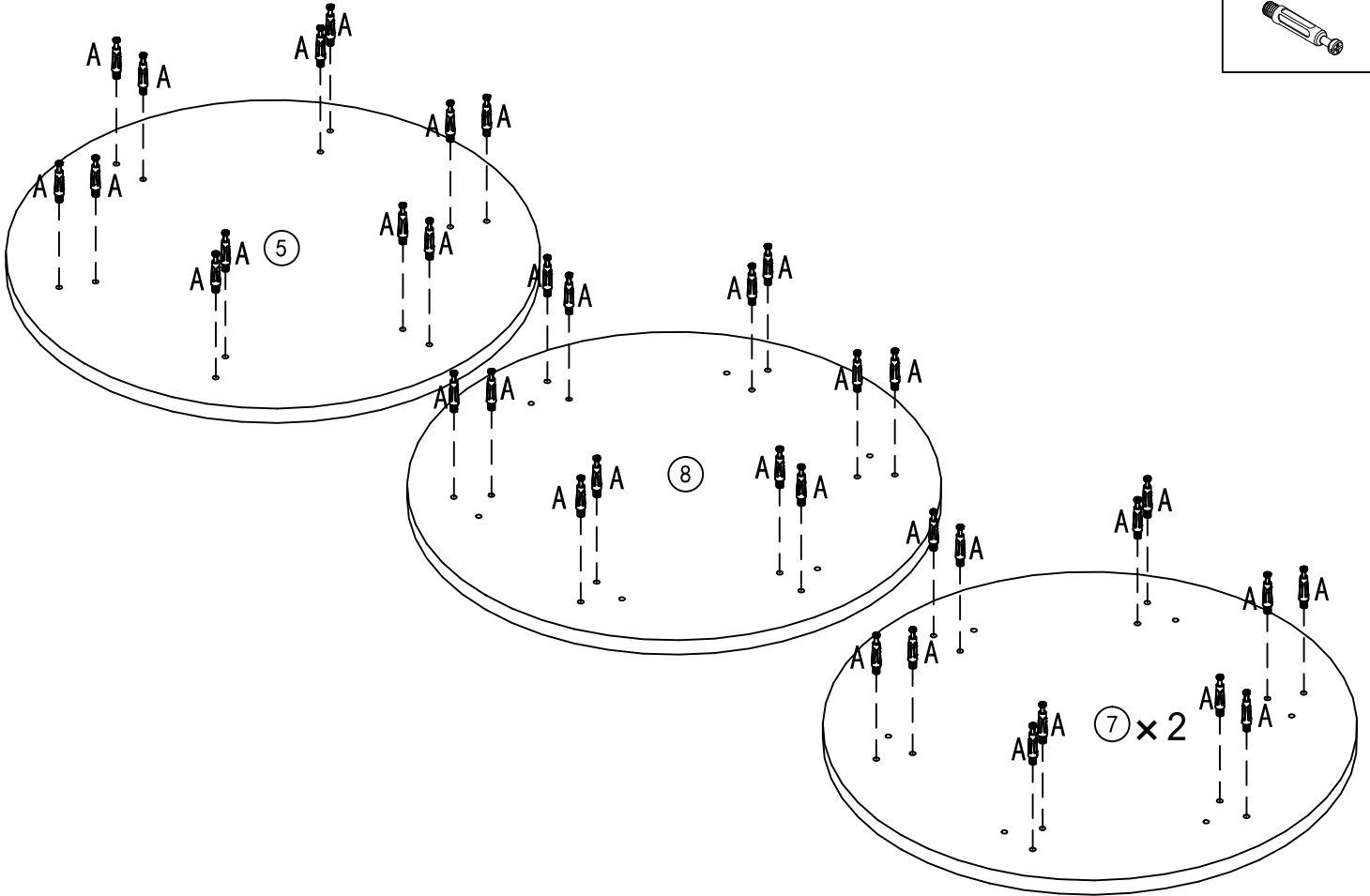
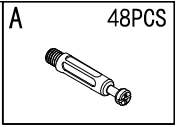


Instruction Manual

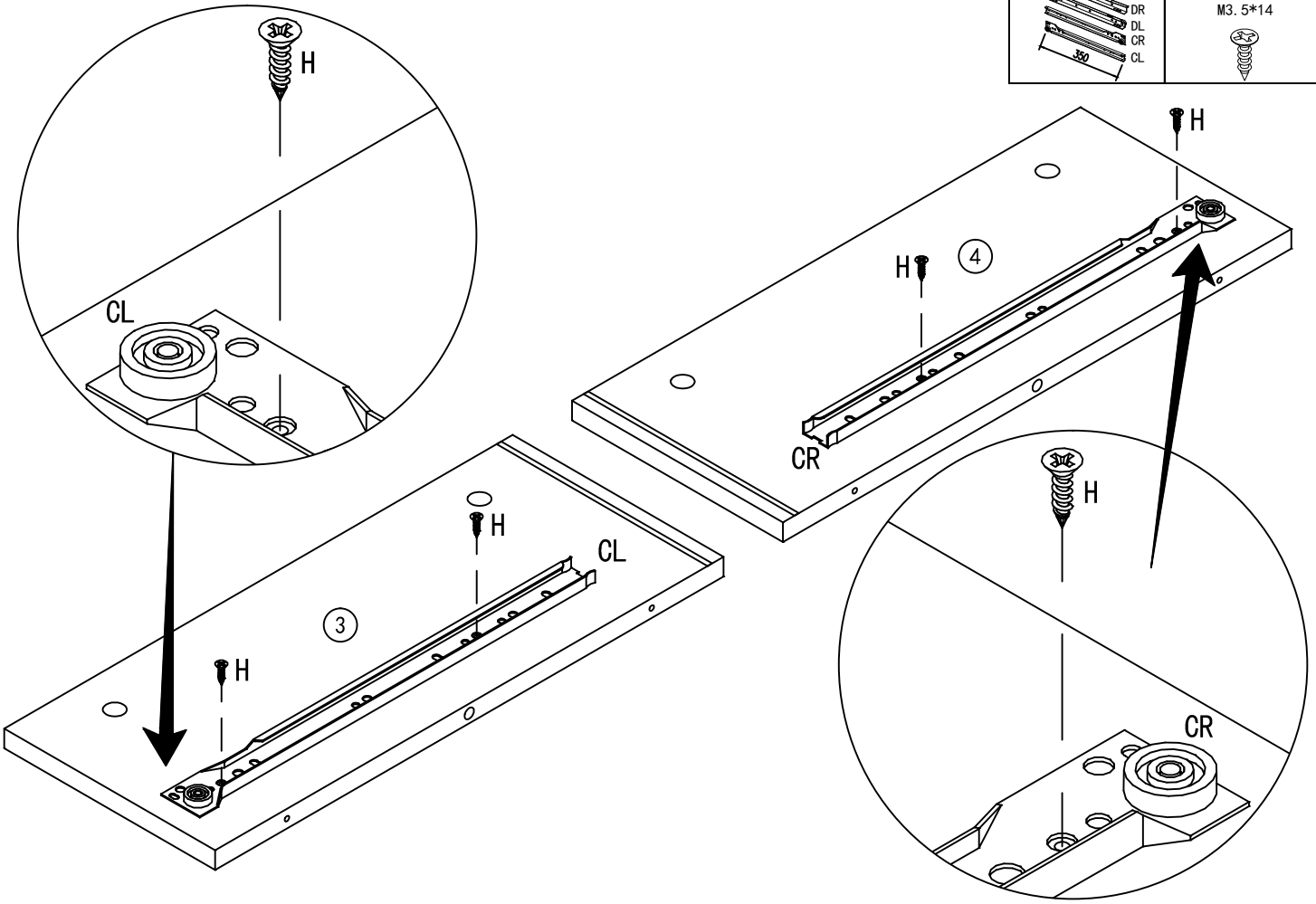




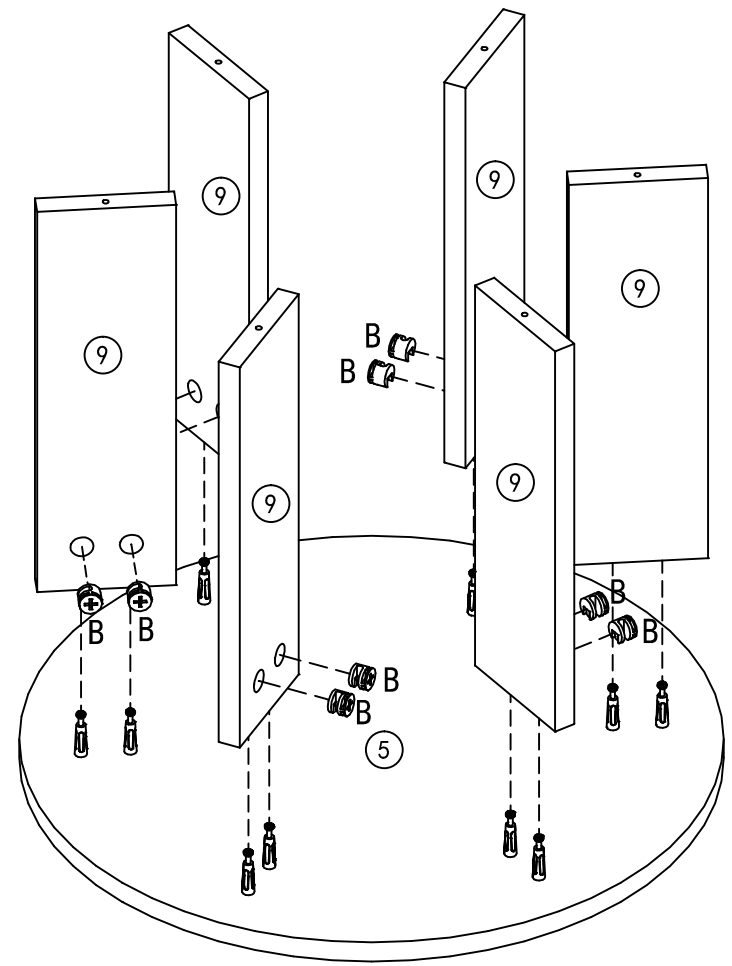
| |
|---|
| A 56PCS  |
| B 56PCS $\Phi 15*11$  |
| C 4PCS $\Phi 8*40$  |
| D 28PCS M5*40  |
| E 1SET DR DL CR CL 350  |
| F 1PCS M4*18  |
| G 4PCS M3.5*35  |
| H 32PCS M3.5*14  |
| J 1PCS  |
| K 2PCS  |
| L 2PCS  |



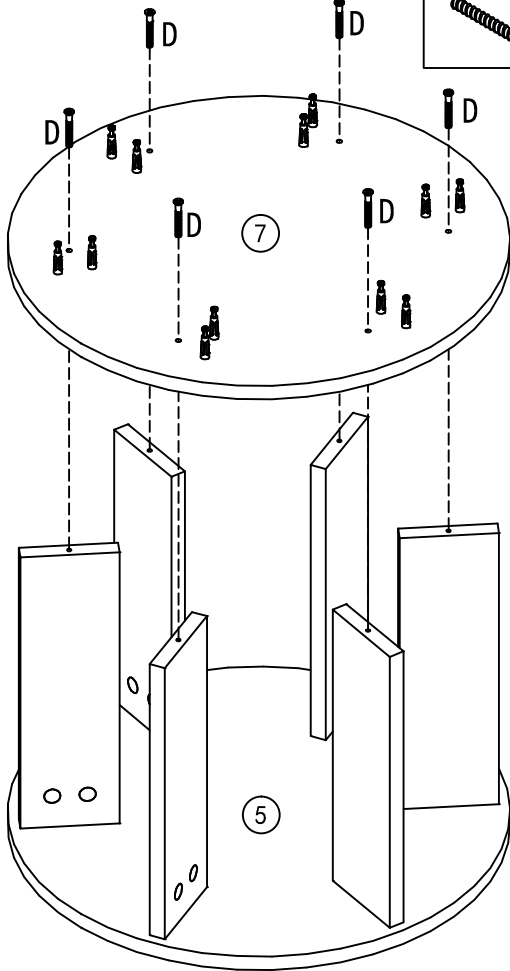
| | | | |
|---|------|---|---------|
| E | 1SET | H | 4PCS |
| | DR | | |
| | DL | | |
| | CR | | |
| | 350 | | M3.5*14 |



| | |
|---|--------|
| B | 12PCS |
| | Φ15*11 |
| | |

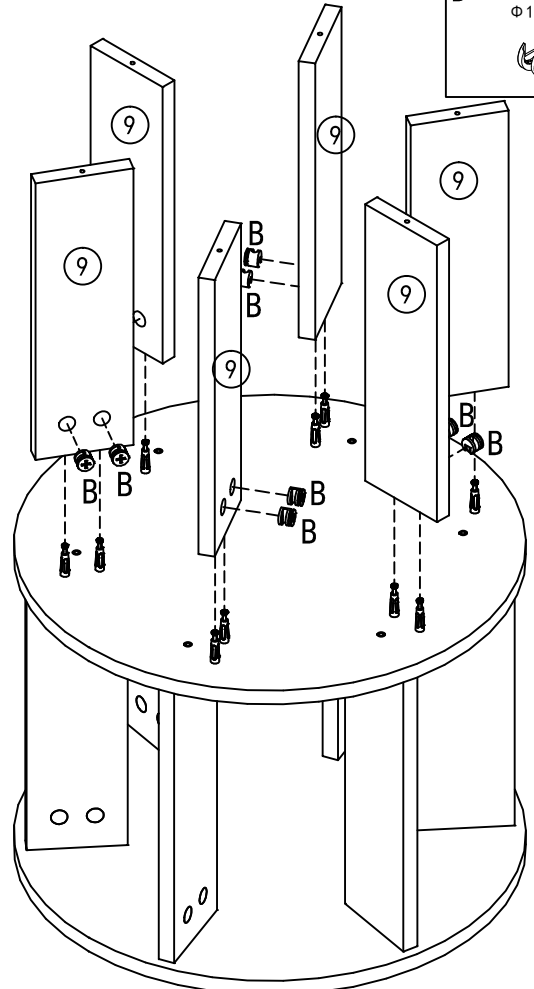


D 6PCS
M5*40

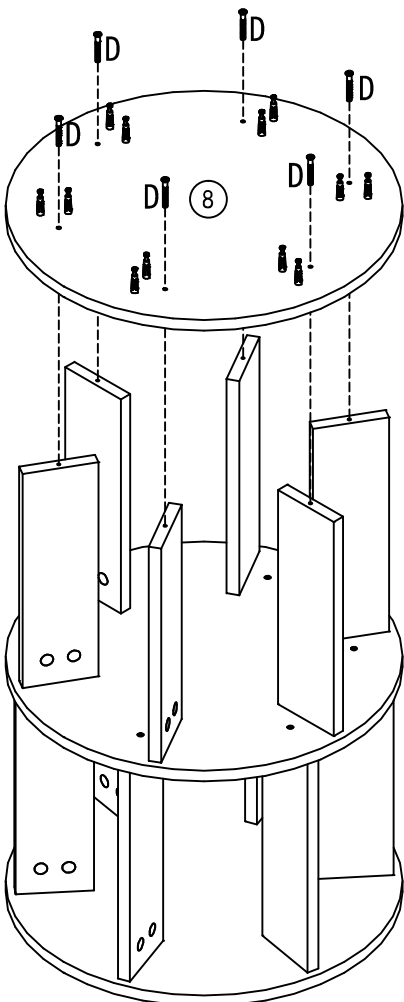


6

B 12PCS
Φ 15*11

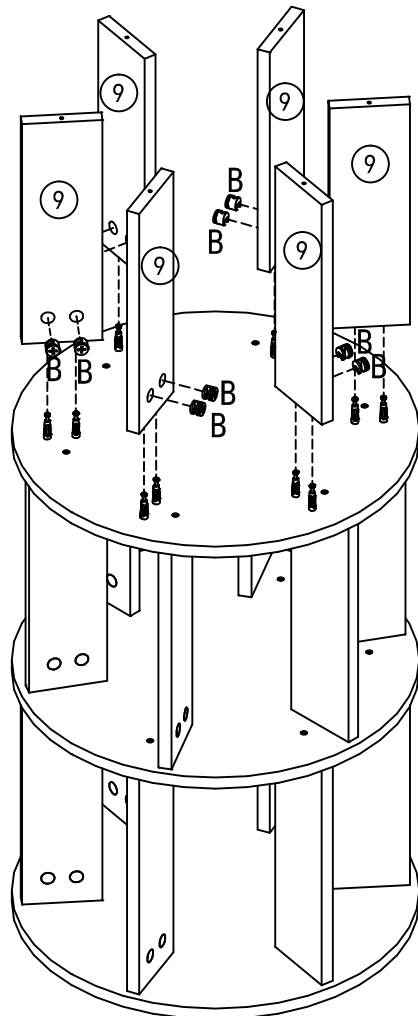


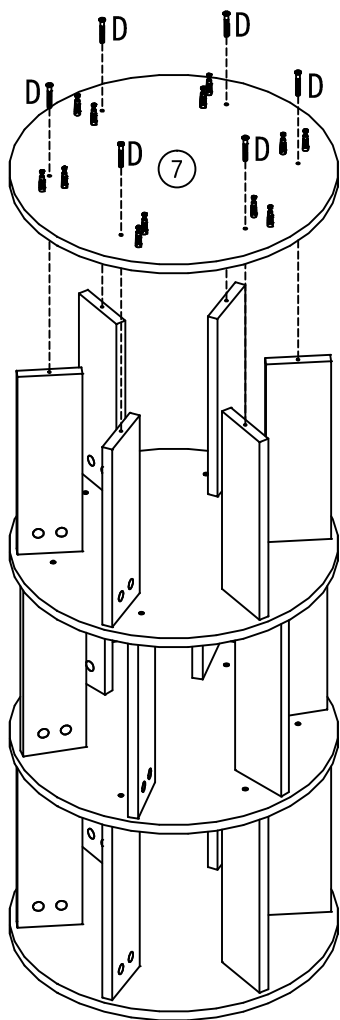
D 6PCS
M5*40



8

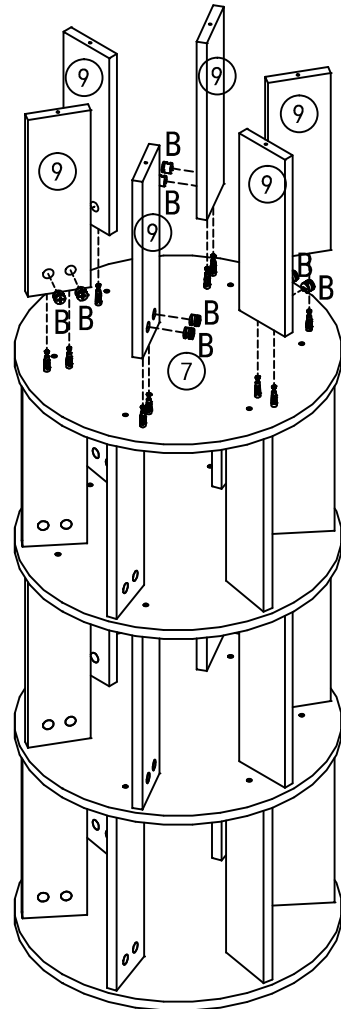
B 12PCS
Φ 15*11



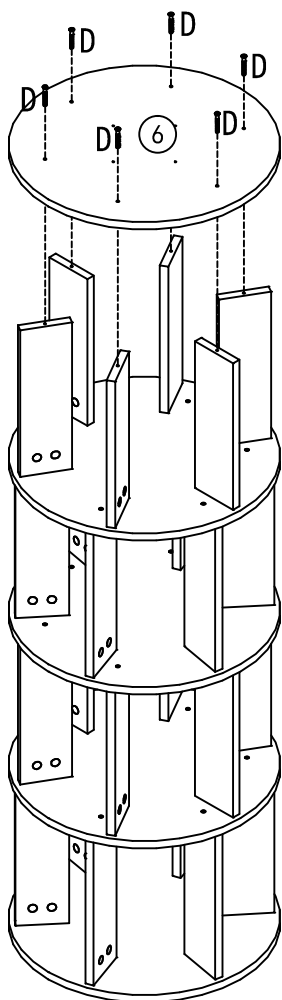


D 6PCS
M5*40

10



B 12PCS
Φ 15*11

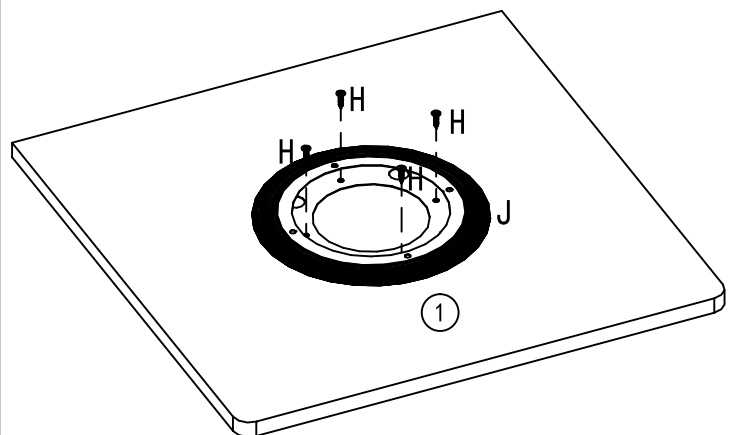


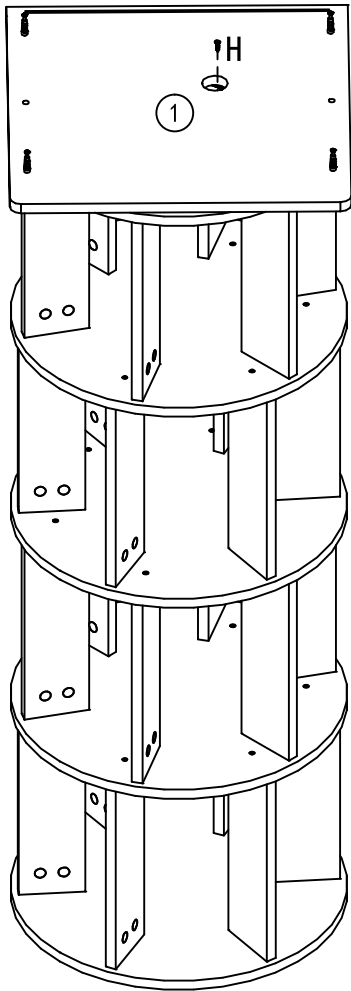
D 6PCS
M5*40

12

H 4PCS
M3.5*14

J 1PCS

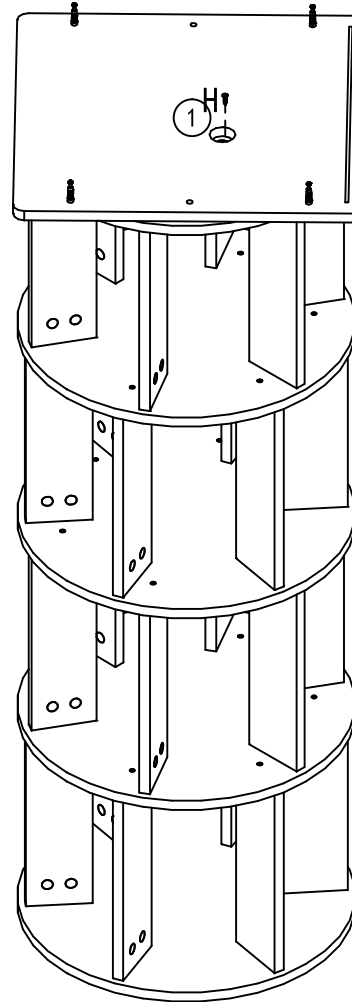




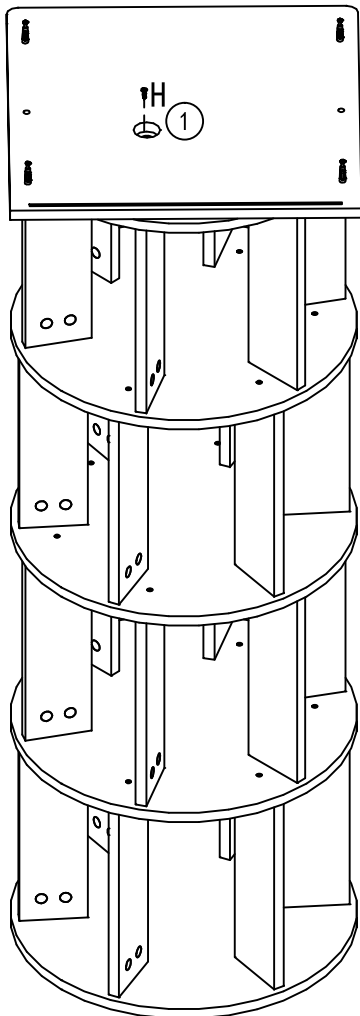
H 1PCS
M3. 5*14



14



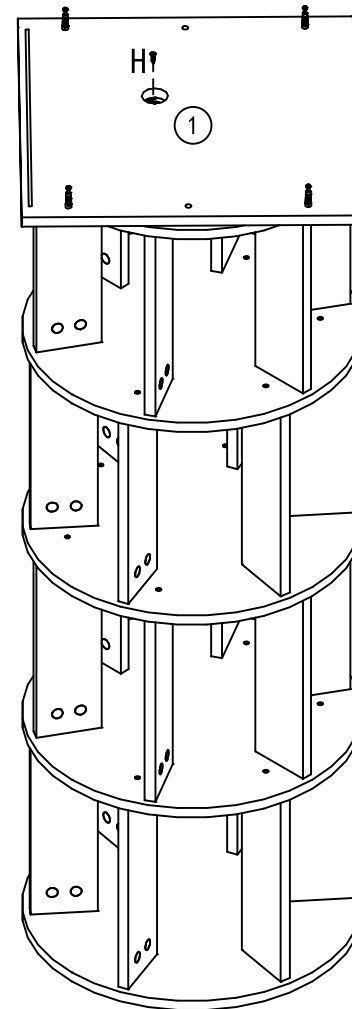
H 1PCS
M3. 5*14



H 1PCS
M3. 5*14


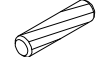


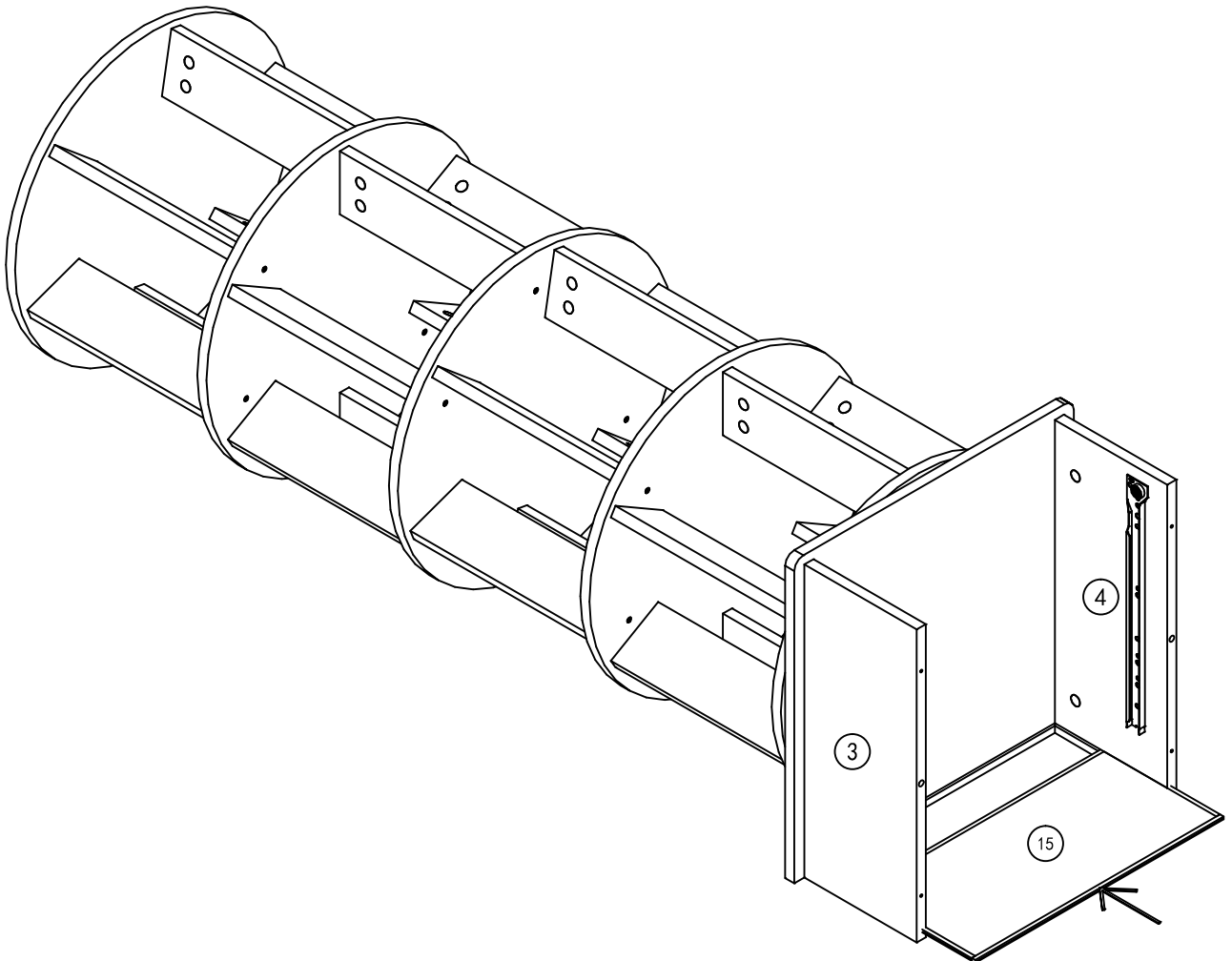
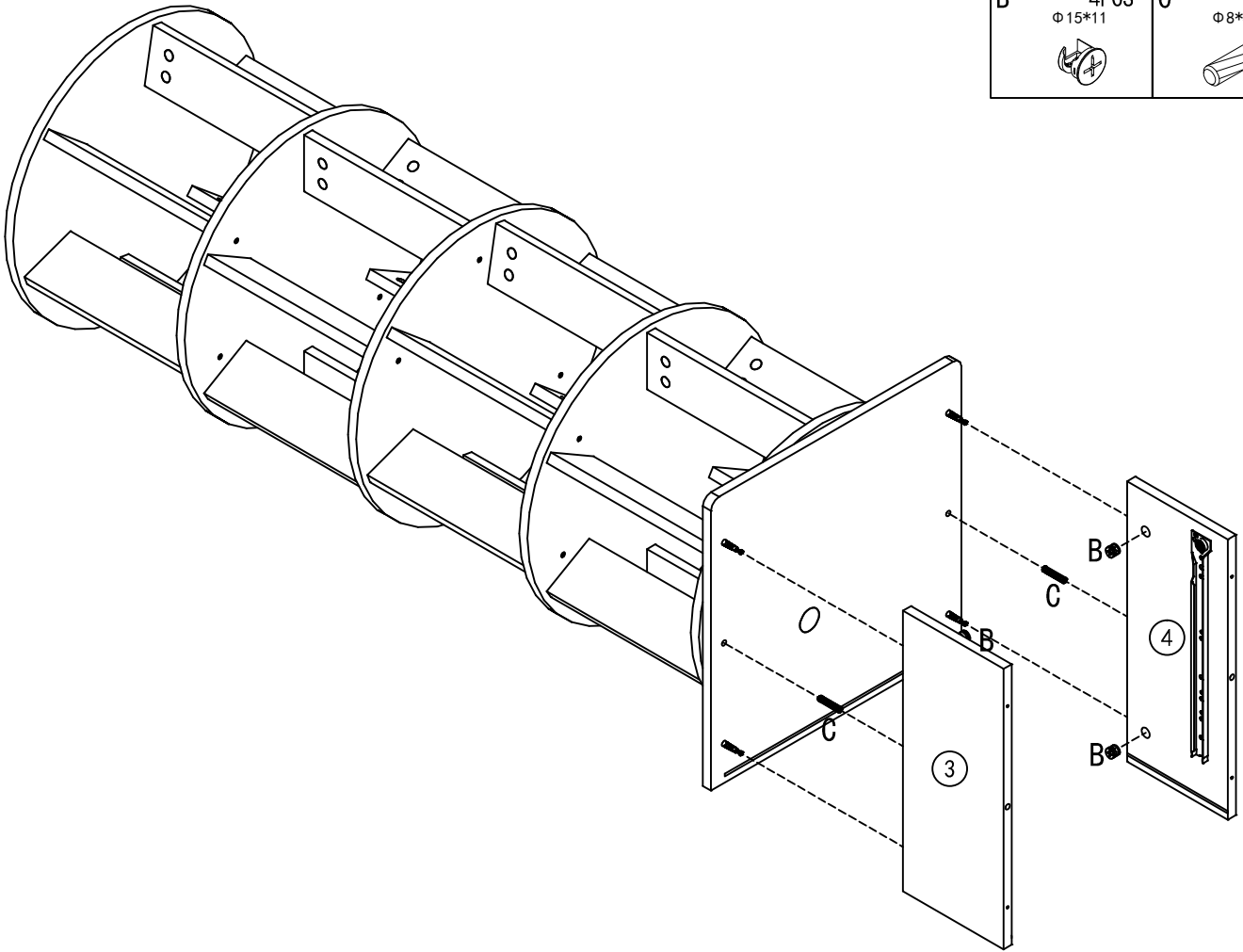
16

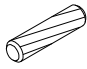



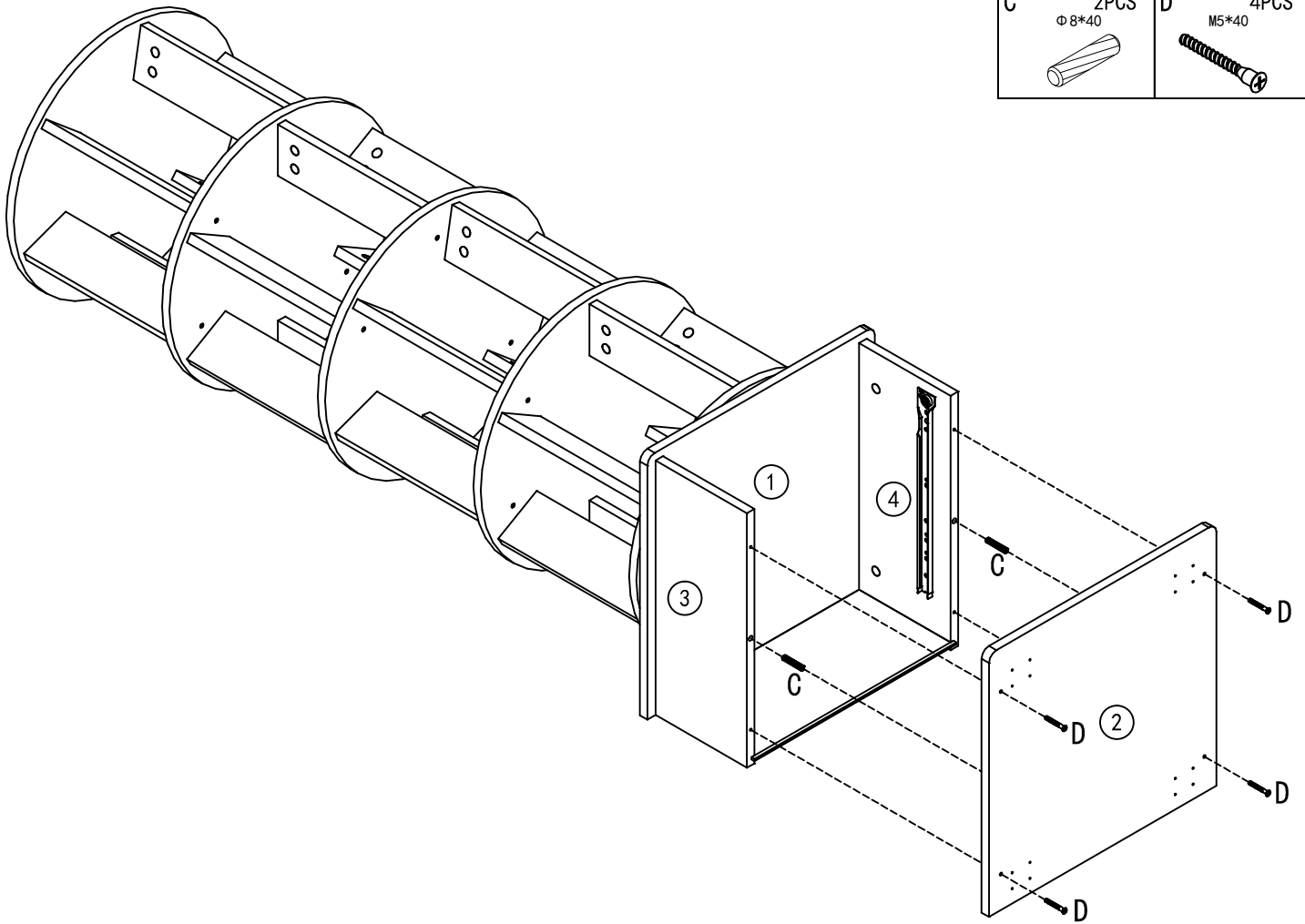
H 1PCS
M3. 5*14


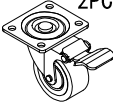
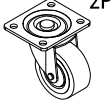


| | |
|--|---|
| B 4PCS $\phi 15 \times 11$  | C 2PCS $\phi 8 \times 40$  |
|--|---|



| | | | |
|----------|---|----------|---|
| C | 2PCS Ø 8*40 | D | 4PCS M5*40 |
| |  | |  |



| | | | | | |
|----------|---|----------|---|----------|---|
| H | 16PCS M3.5*14 | K | 2PCS | L | 2PCS |
| |  | |  | |  |

