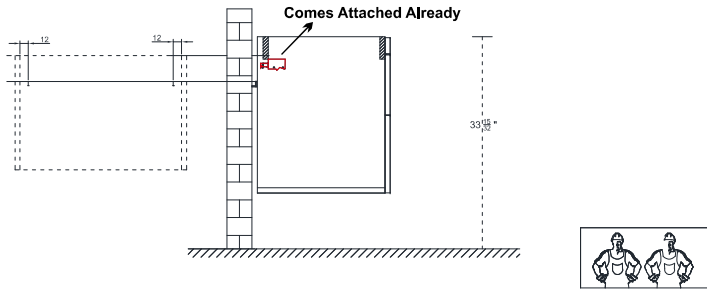


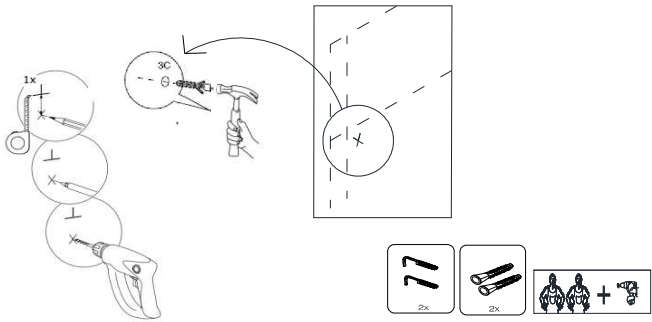
How To Install - Wall Mount

1

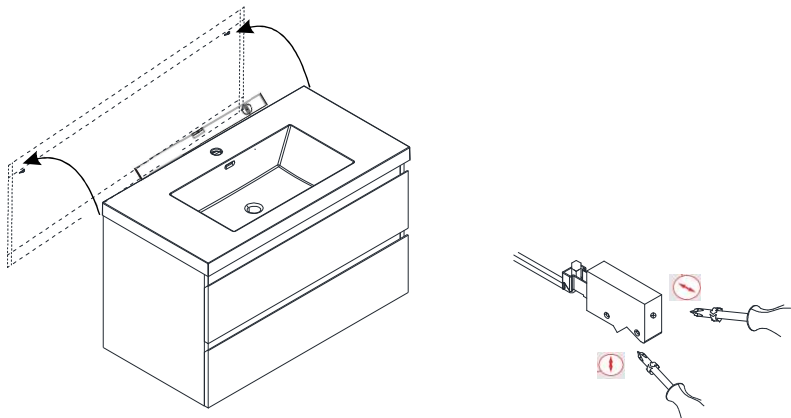


Recommended height of installation

2



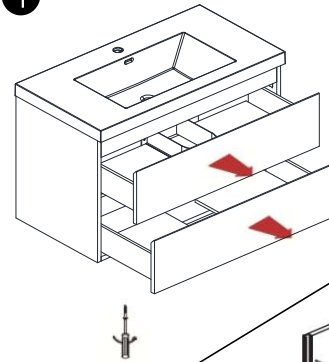
3



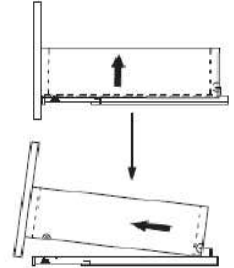
05

How to remove the drawer

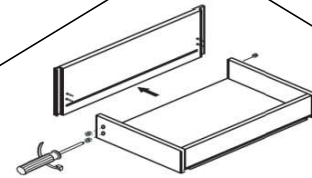
1



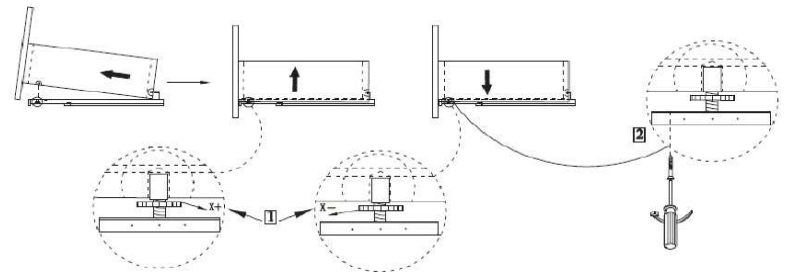
2



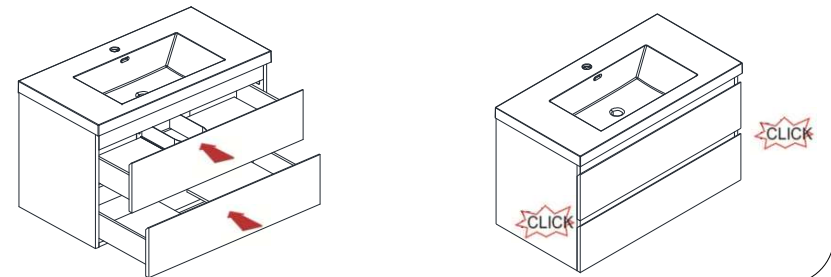
3



4



5



06