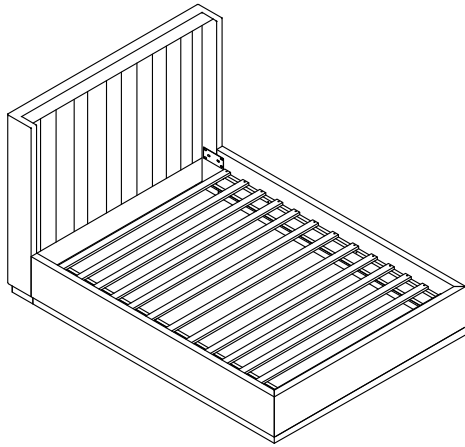


ASSEMBLY INSTRUCTION

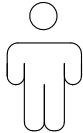
Bed- T



+ Do Not Use Power Tools



+Suggested Adults



NOTE:

- 1 Read instructions cover to cover.
- 2 Save all packaging until assembly is completed.

1 IMPORTANT SAFETY INFORMATION

Do not assemble the product if any of the following parts arrived damaged:

- Part#1 -Headboard
- Part#2 -Footboard
- Part#3 -Wood strip for Side rail
- Part#4 -Slats
- Part#5 -Side rail

Do not assemble if any of the following Hardware parts are missing:

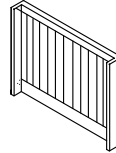
- Part#B,E, -Bolt
- Part#D, -Lock washer
- Part#A, -Allen Key
- Part#G,I -Metal bracket
- Part#C,H -Flat washer
- Part#F -screw

2 IMPORTANT SAFETY INFORMATION

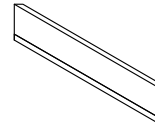
Assembly Step if loosening persists, please make sure to tighten all the bolts periodically, or use a thread locker adhesive.

+Parts Included

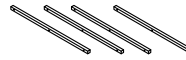
① Headboard (1pc)



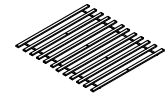
② Footboard (1pc)



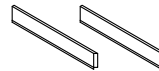
③ Wood strip for Side rail (4pcs)



④ Slats (13pc)



⑤ Side rail (2pcs)



+Hardware Included

A Ø1/4" (1pc)



B Ø5/16" *1" (24pcs)



C Ø5/16" (24pcs)



D Ø5/16" (36pcs)



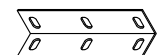
E Ø1/4" *2" 3/8" (12pcs)



F #8*30mm (26pcs)



G Metal bracket (2pcs)



H Ø1/4" (12pcs)



I Metal bracket (2pcs)

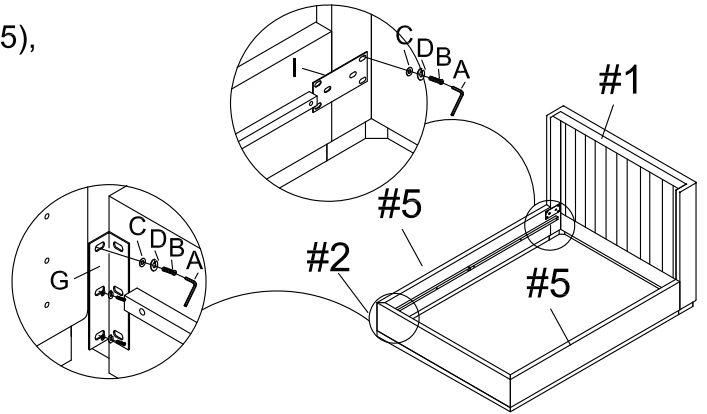


ASSEMBLY INSTRUCTION

Bed- T

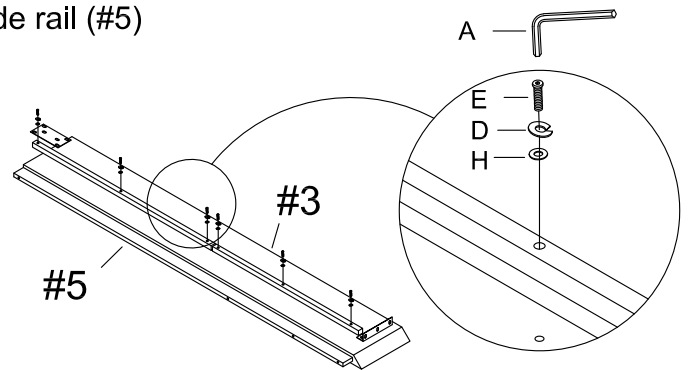
1

Step 1. Attach Metal Bracket (G) to side rail (#5),
Footboard (#2) with Bolt (B),
Lock washer (D) and Flat washer (C) .
Tighten with Allen Key (A).
Attach Metal Bracket (I) to side rail (#5),
Headboard(#1) with Bolt (B),
Lock washer (D) and Flat washer (C) .
Tighten with Allen Key (A).



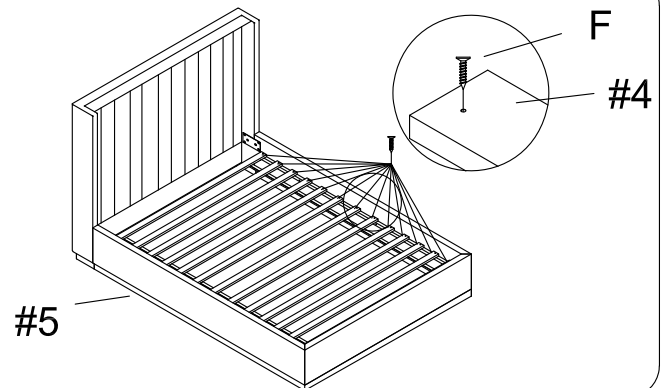
2

Step 2. Attach Wood strip for Side rail (#3) to side rail (#5)
with Bolt (E), Lock washer (D) and
Flat washer (H) .Tighten with Allen Key (A).



3

Step 6. Attach Slats (#4)
to Side rail (#5) with Screw (F).



7

Assembly Complete.

