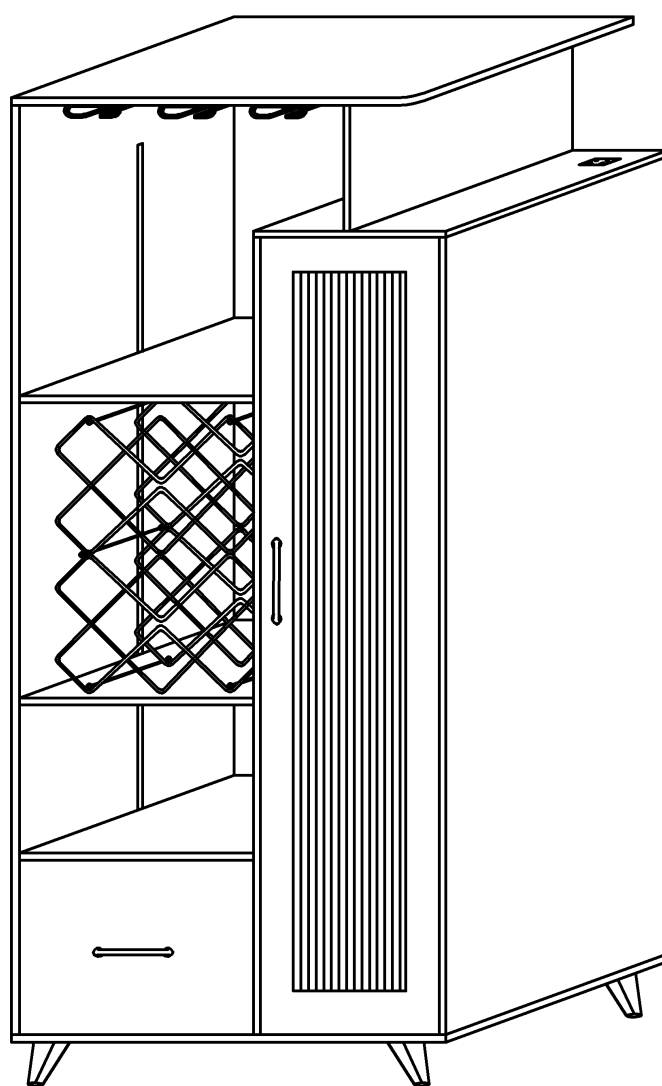
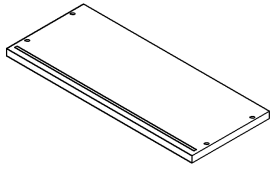
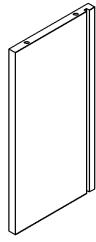


# Product Installation Instructions

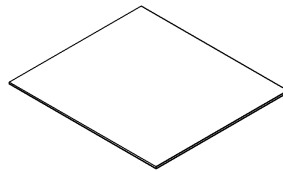




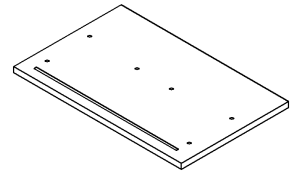
**Ax1**



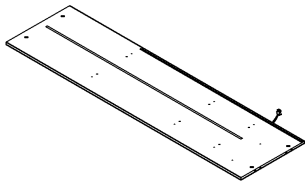
**Bx2**



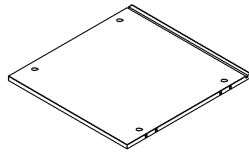
**Cx1**



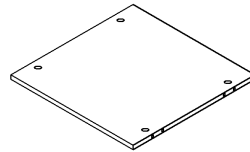
**Dx1**



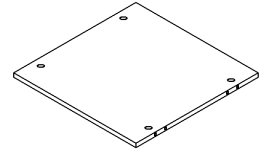
**Ex1**



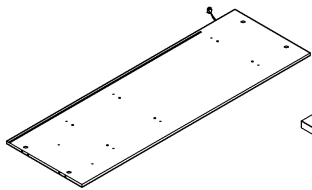
**Fx1**



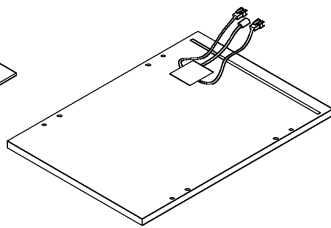
**Gx1**



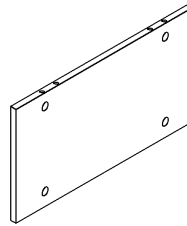
**Hx1**



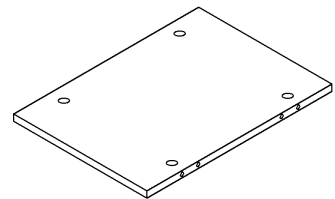
**Ix1**



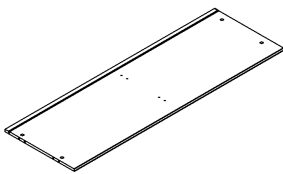
**Jx1**



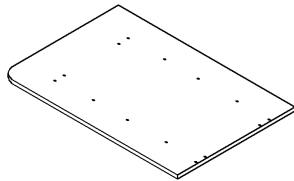
**Kx1**



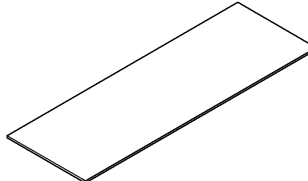
**Lx1**



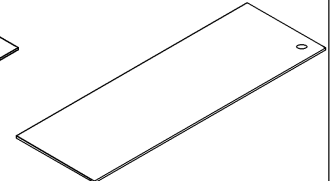
**Mx1**



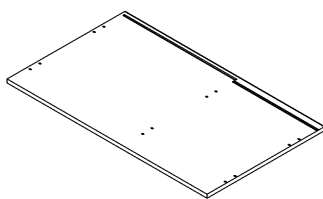
**Nx1**



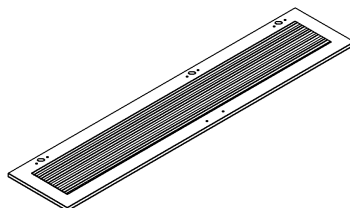
**Ox1**



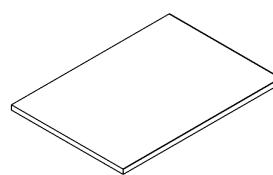
**Px1**



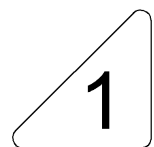
**Qx1**



**Rx1**

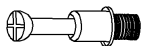

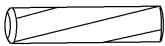
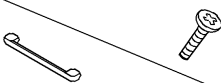
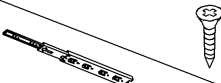
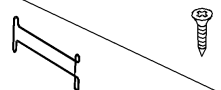
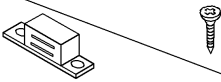


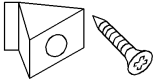
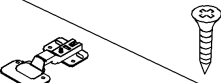

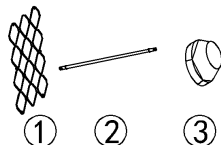
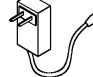
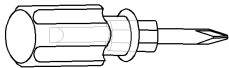
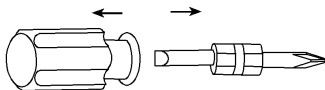



**Sx2**

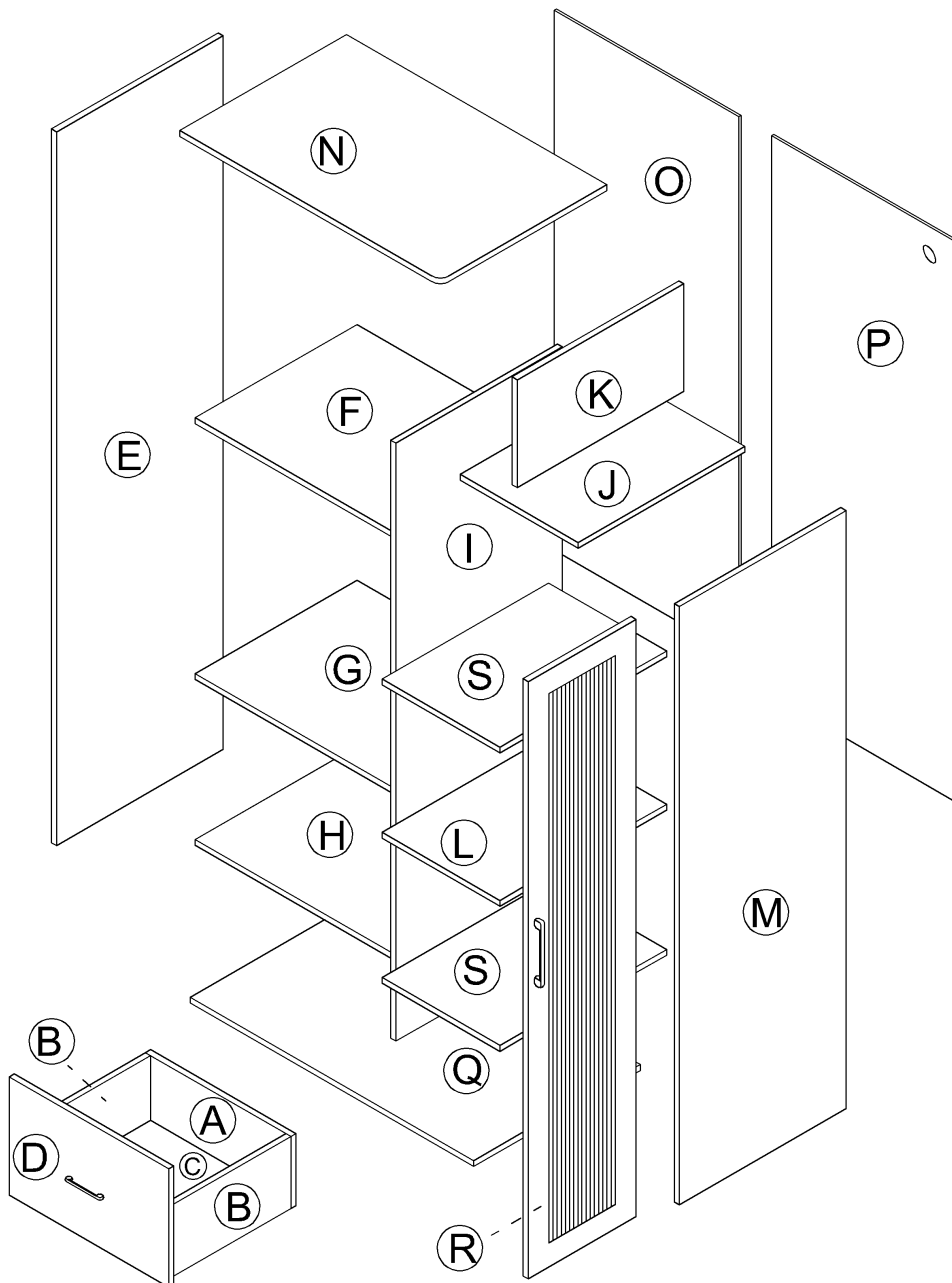


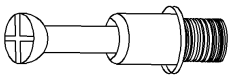
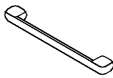




**1**

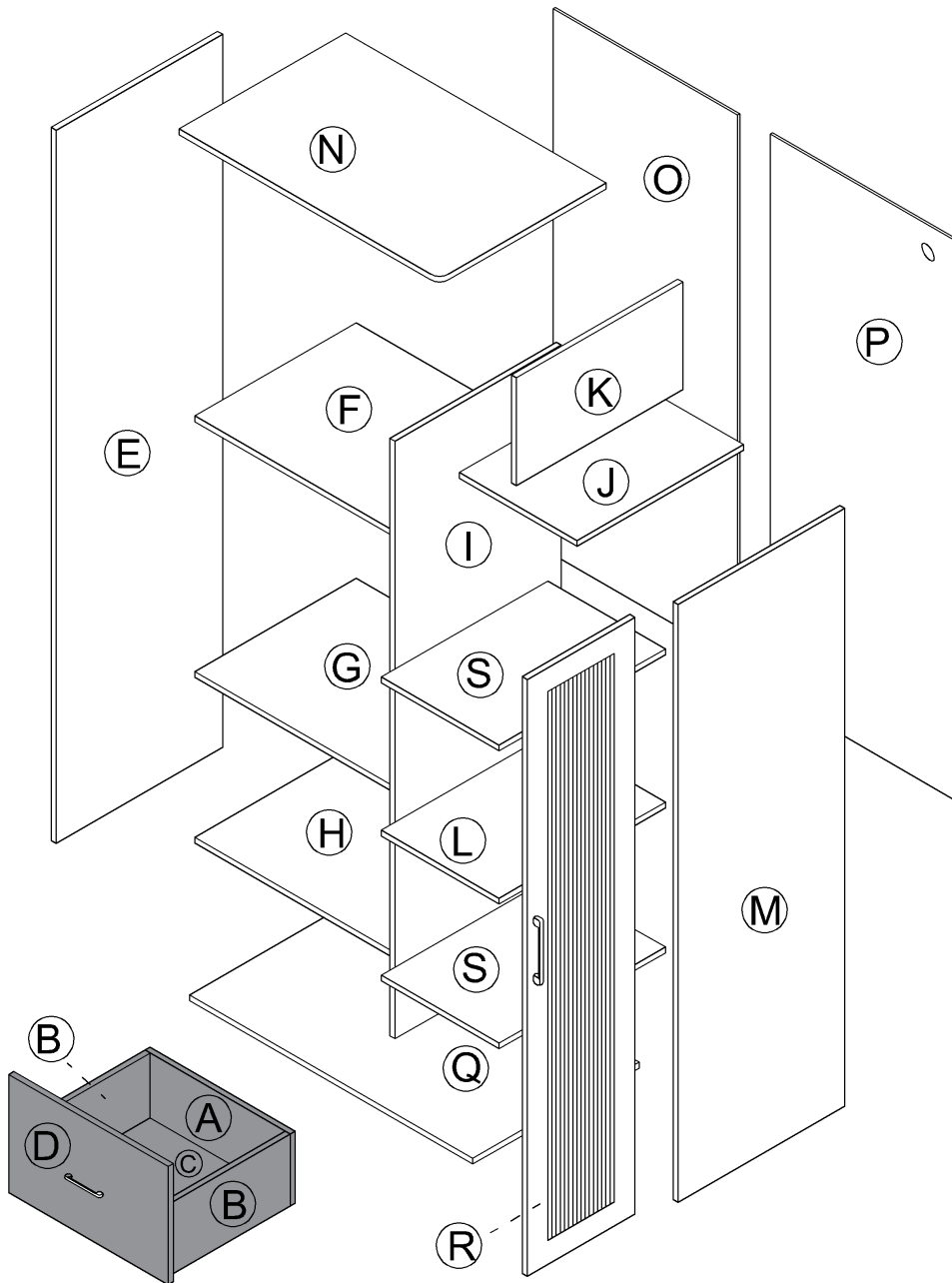
## Accessories list

①		Two In One Screw (6x28mm)	40pcs +4pcs
②		Two In One Nut (10x12mm)	40pcs +4pcs
③		Wood Chipping (6x30mm)	32pcs +3pcs
④		Handle & Screw (4x16mm)	2pcs 4pcs +1pcs
⑤		Guide & Screw (3x12mm)	2pcs 10pcs +2pcs
⑥		Wine Cup Rack & Screw (3.5x14mm)	3pcs 6pcs +1pcs
⑦		Magnetic Attraction & Screw (3.5x12mm)	2pcs 4pcs +1pcs
⑧		Iron Sheet & Screw (3x10mm)	2pcs 4pcs +1pcs
⑨		Aluminum Alloy Feet & Screw (4x12mm)	4pcs 16pcs +2pcs
⑩		Fixing clip & Screw (3x16mm)	12pcs +1pcs
⑪		Hinge & Screw (3.5x12mm)	3pcs 18pcs +2pcs
⑫		Laminate Support Nail	8pcs +1pcs
⑬		Wine Rack	6pcs ① 2pcs ② 2pcs ③ 12pcs
		AC/DC Adapter (12V=3.0A)	1pcs
		Double-head screwdriver, use as required	

# Product structure decomposition

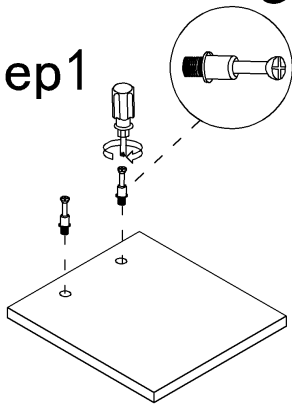


1		8pcs	4			2pcs
2		8pcs	5			4pcs

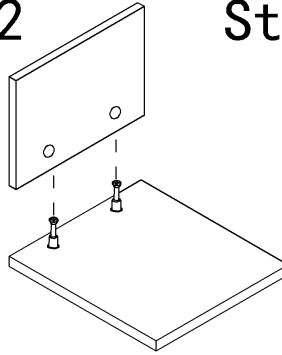


Use parts ① and ②

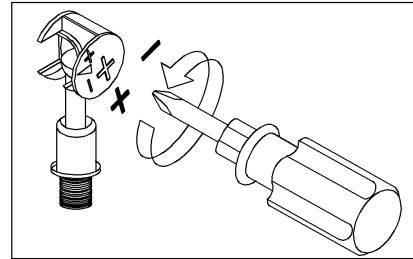
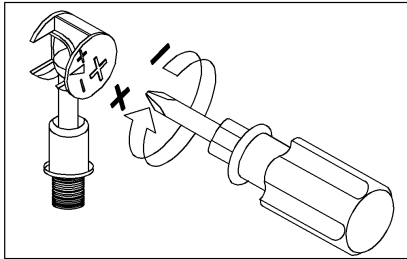
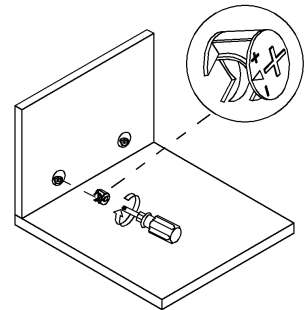
Step1



Step2



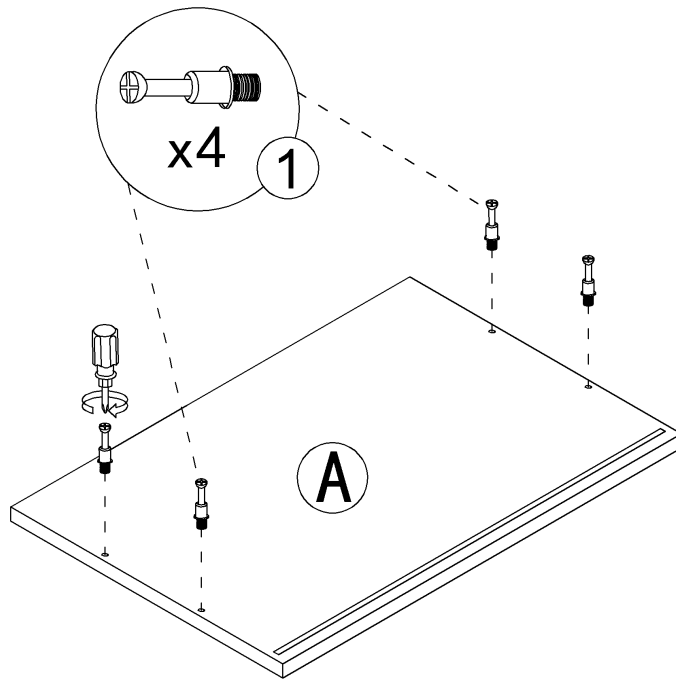
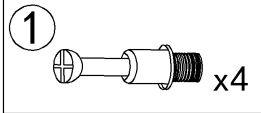
Step3



Use a screwdriver to lock in the direction of the "+" sign

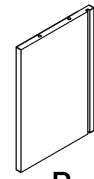
Disassemble along the direction of "-" sign

Step 1

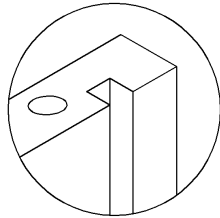


5

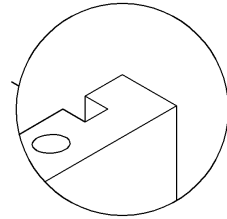
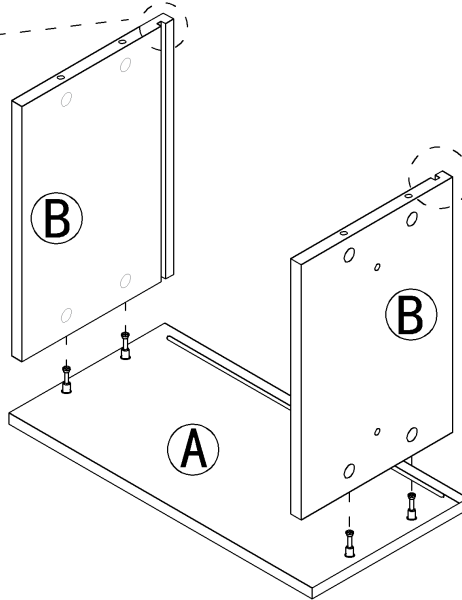
Step 2



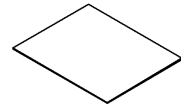
Bx2



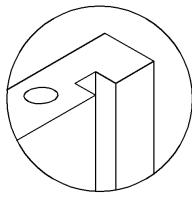
pay attention to



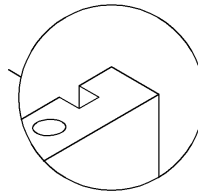
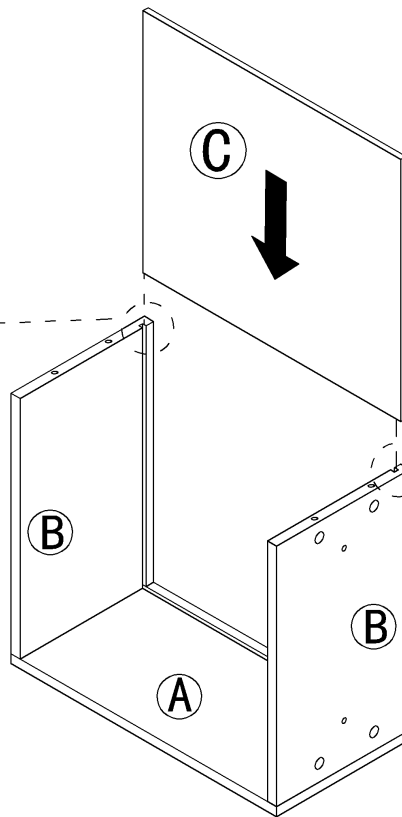
Step 3



Cx1

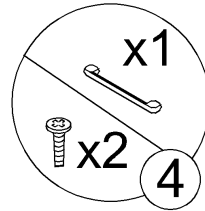
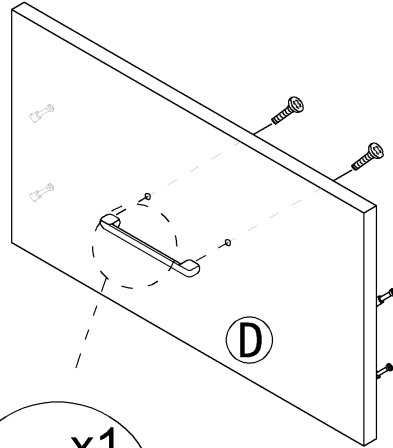
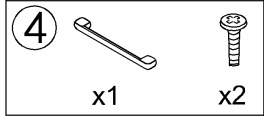
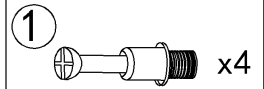
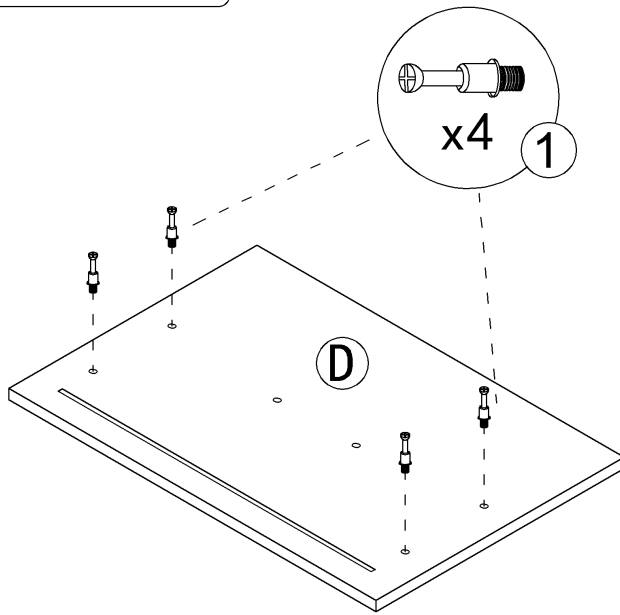


pay attention to

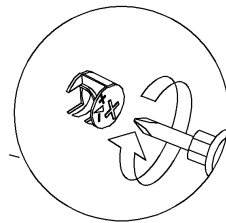
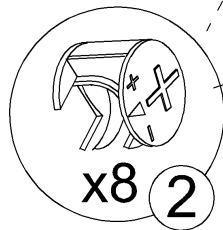
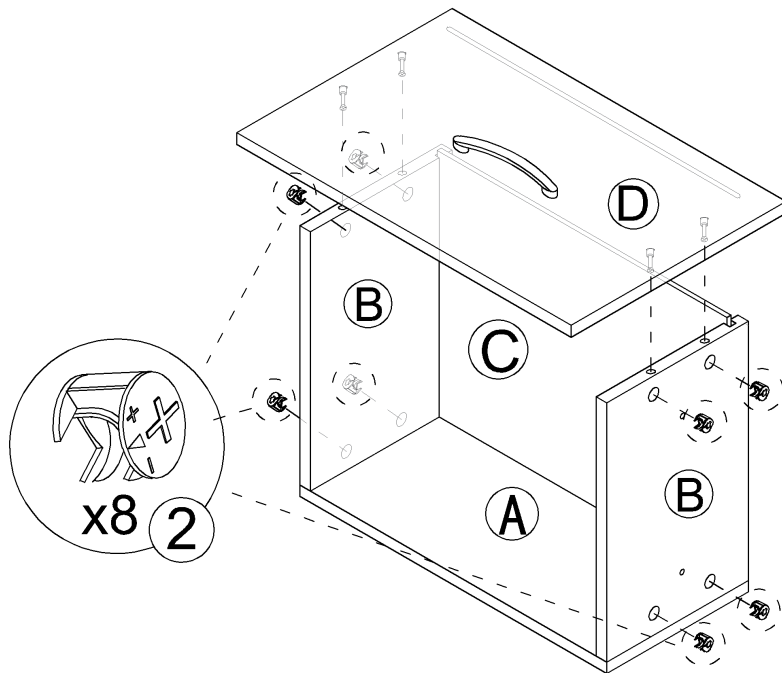


6

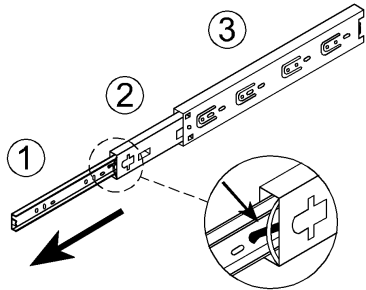
### Step 4



### Step 5

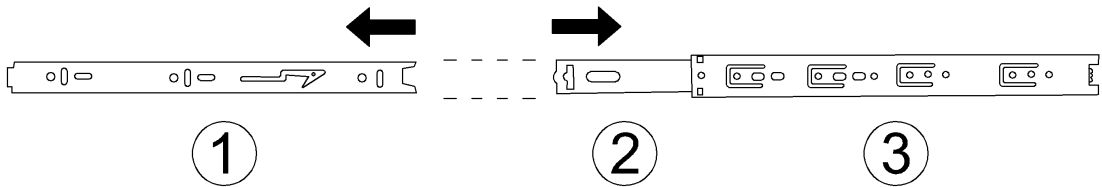
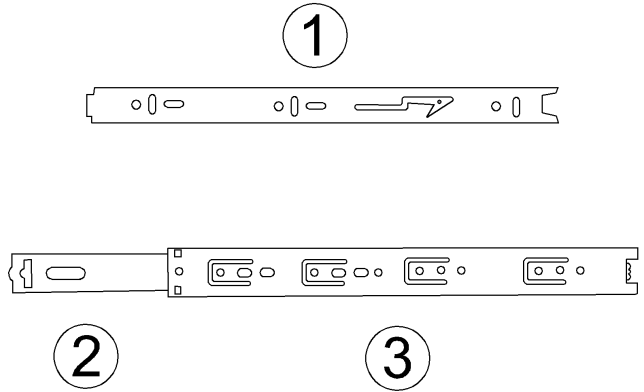


Exploded view of drawer guide rail

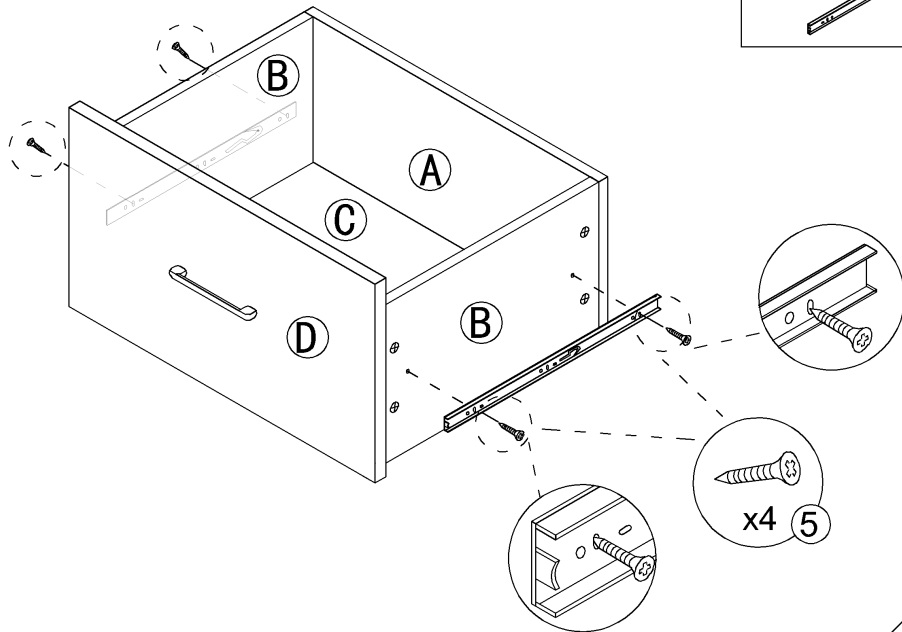
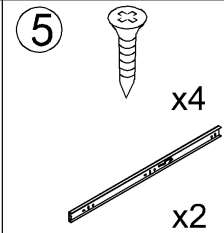
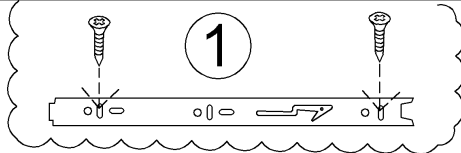


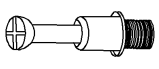





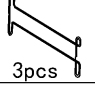

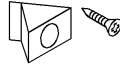
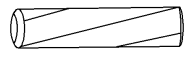


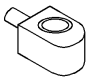
Step 1 : Pull the guide rail apart

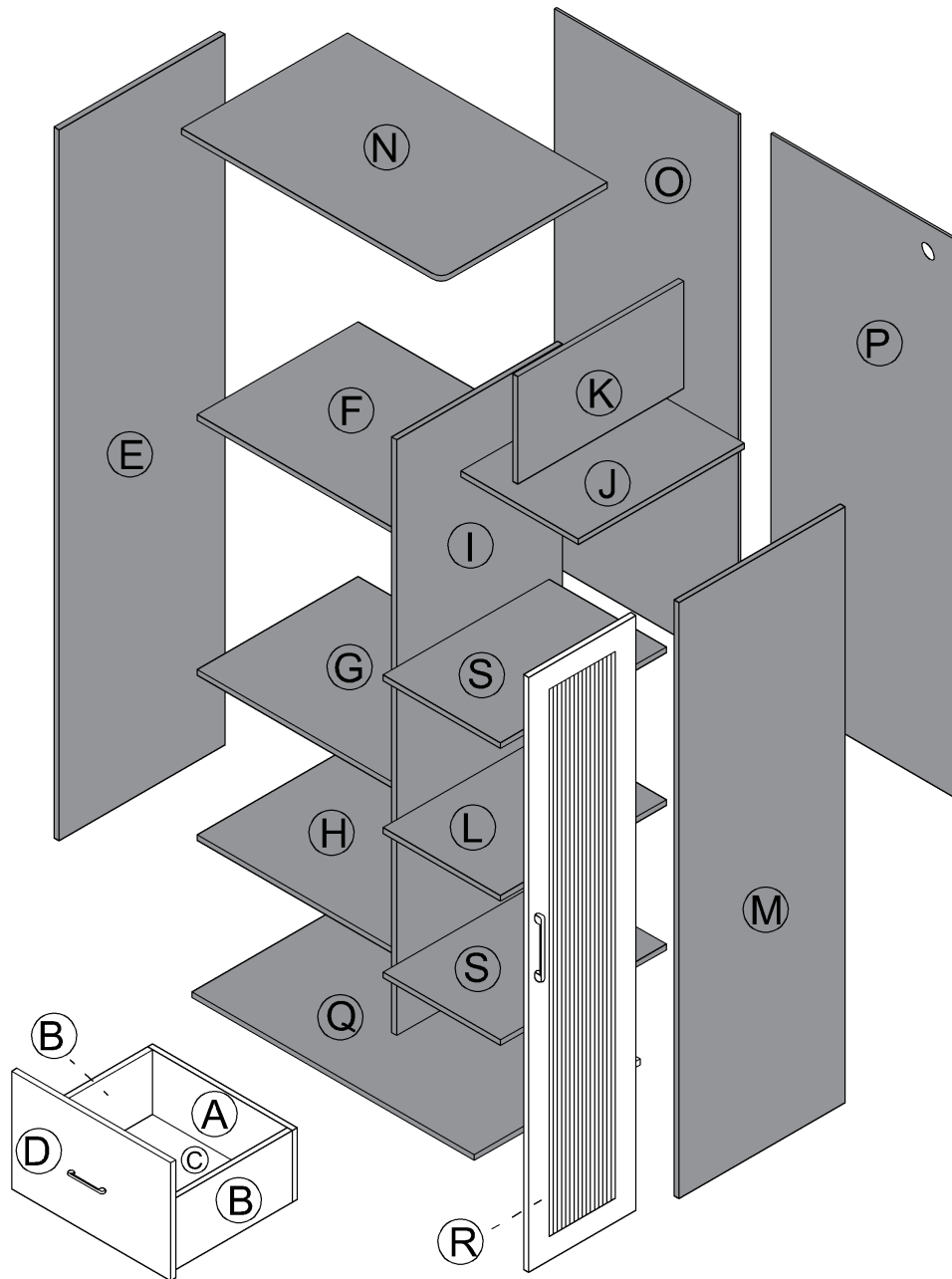
Step 2 : Push the nylon buckle and pull outward ①



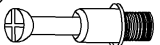
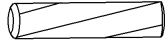
Step 6

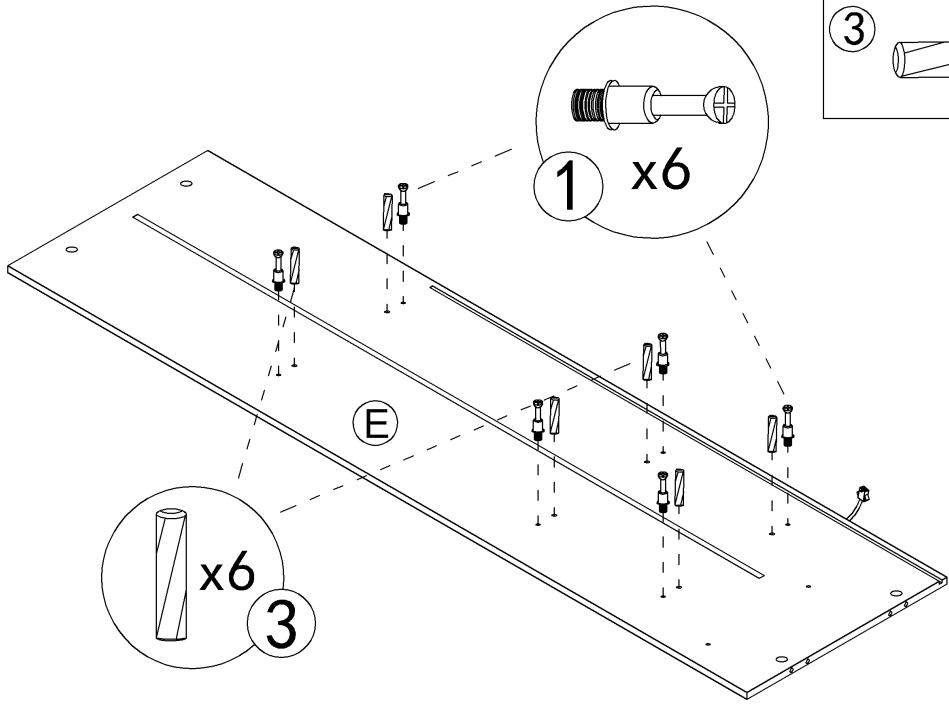


①		32pcs	⑤	 2pcs  6pcs	⑨	 4pcs  16pcs
②		32pcs	⑥	 3pcs  6pcs	⑩	 8pcs
③		32pcs	⑦	 2pcs  4pcs	⑫	 8pcs

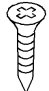
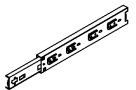


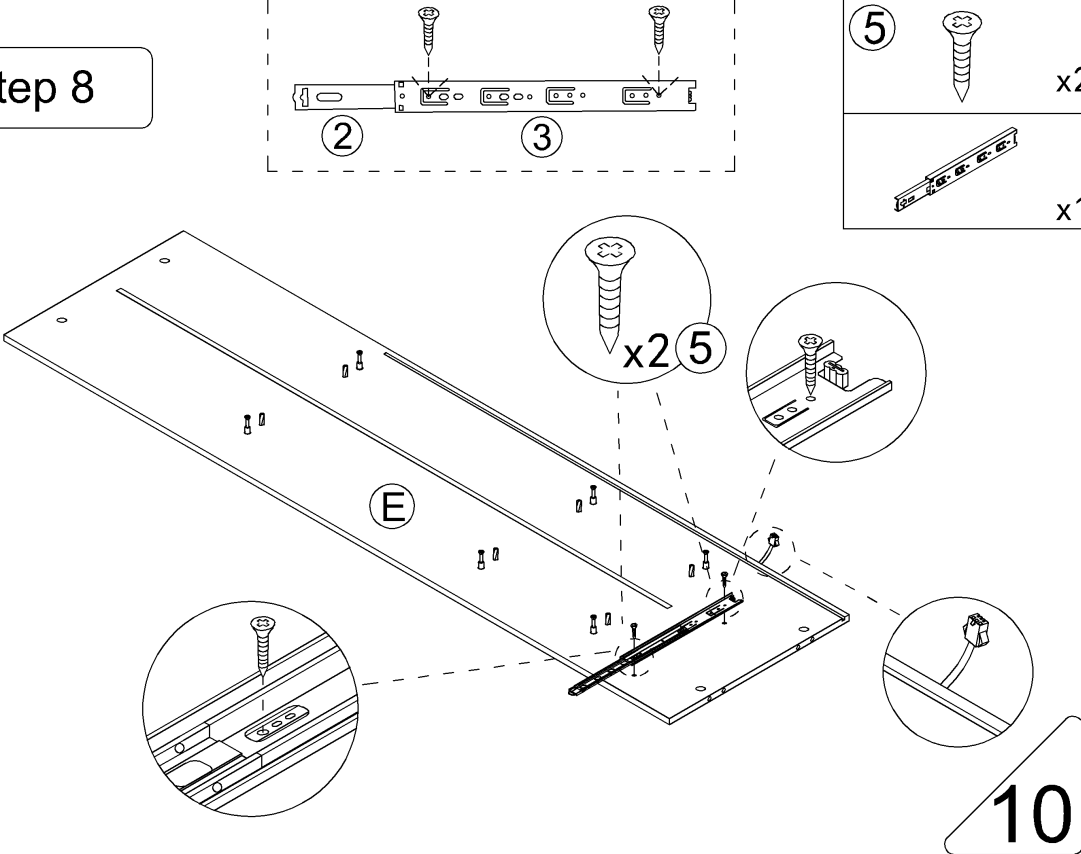
Step 7

- ①  x6
- ③  x6



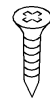
Step 8

- ⑤  x2
-  x1

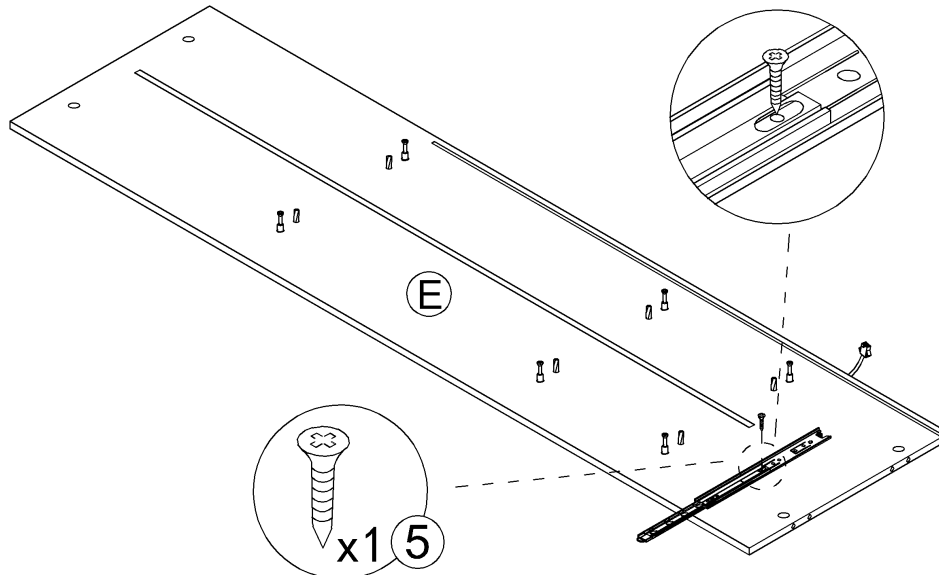


Step 9

6



x1



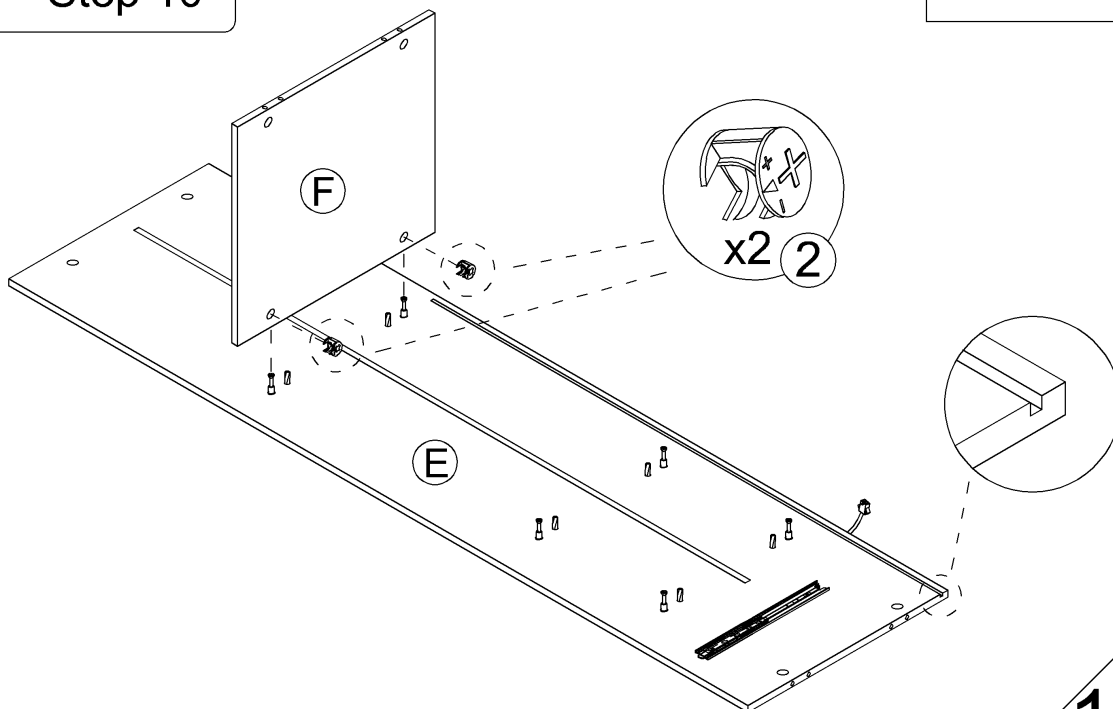
This hole is for strengthening fixed hole customers can choose to install according to their needs.

Step 10

2



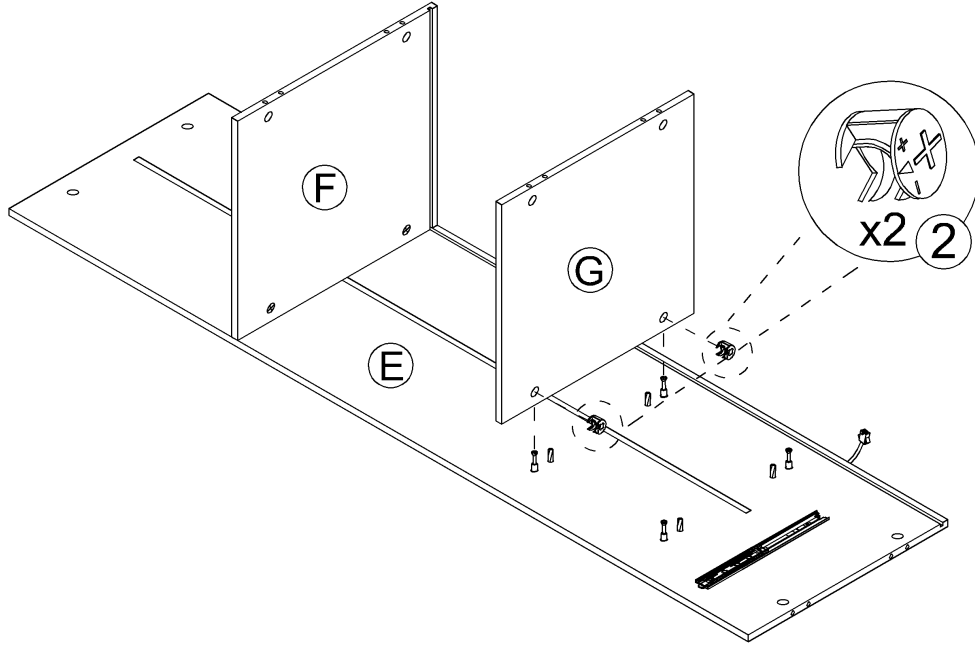
x2



11

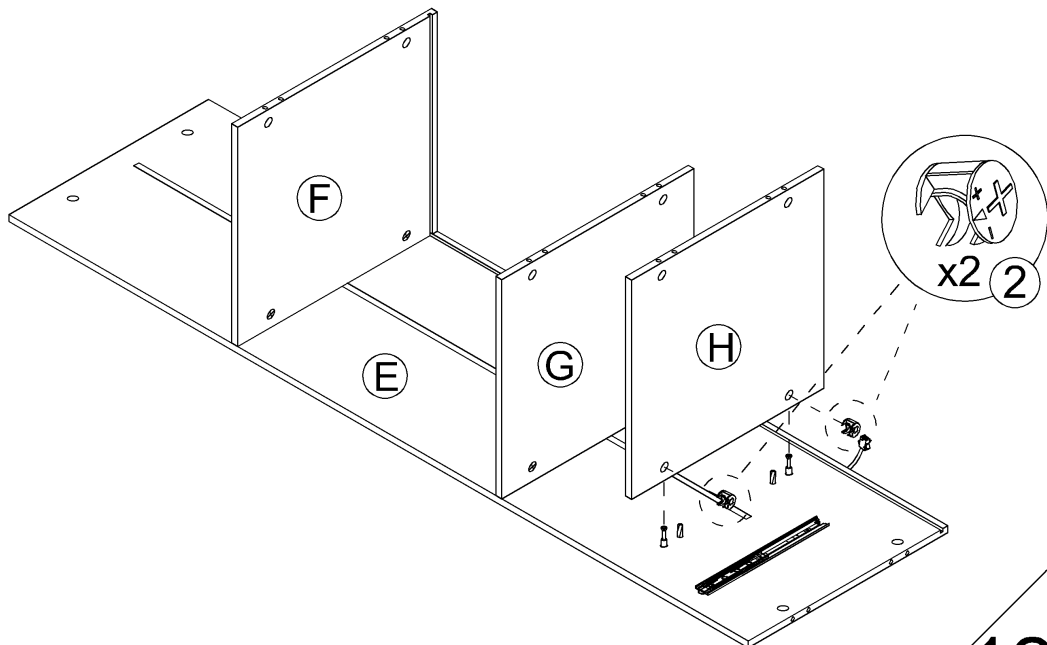
Step 11

2  x2



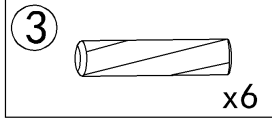
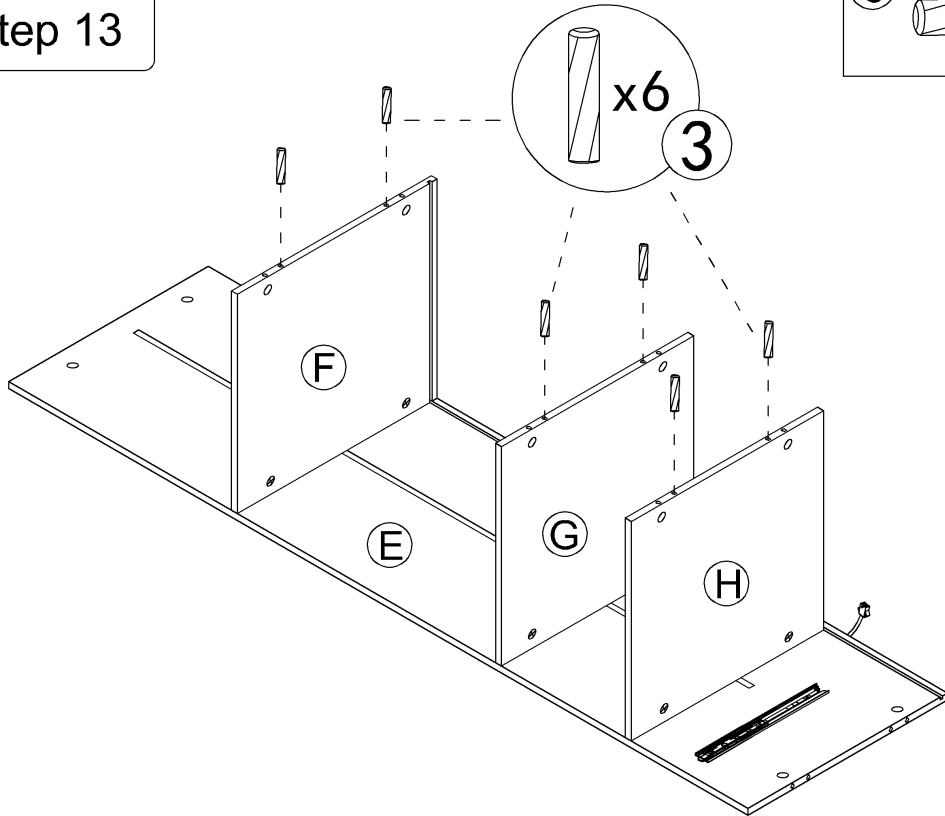
Step 12

2  x2

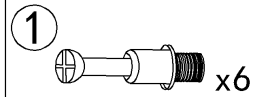
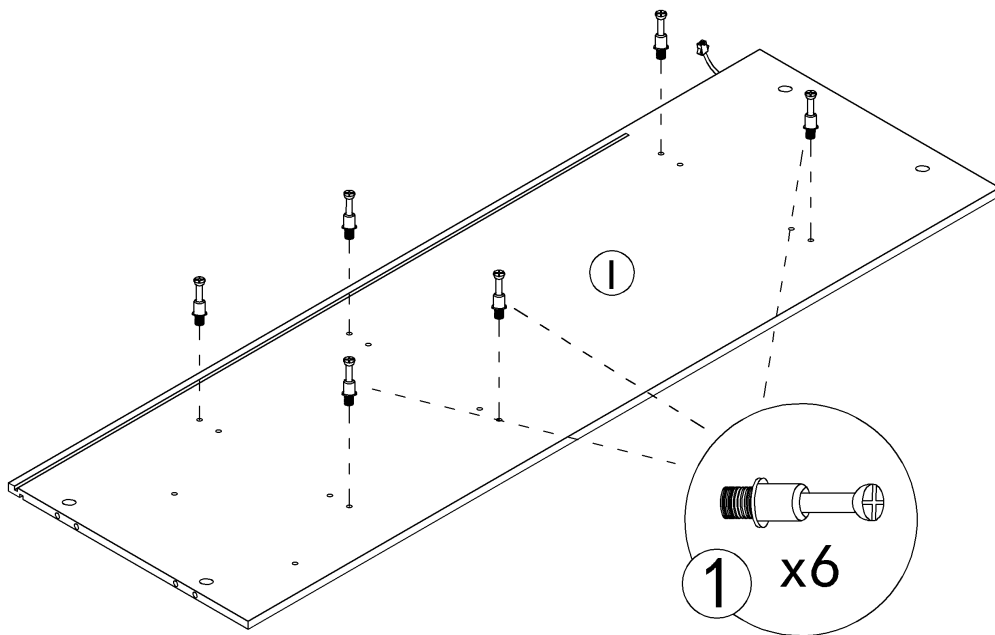


12

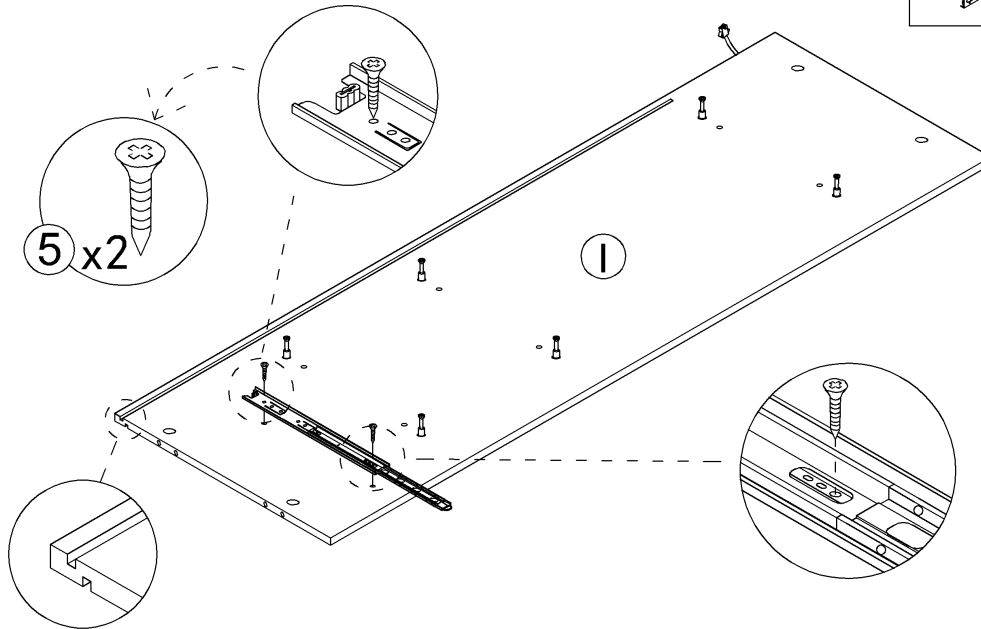
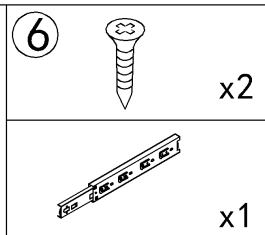
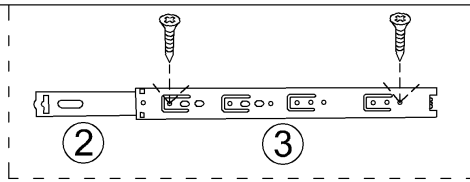
Step 13



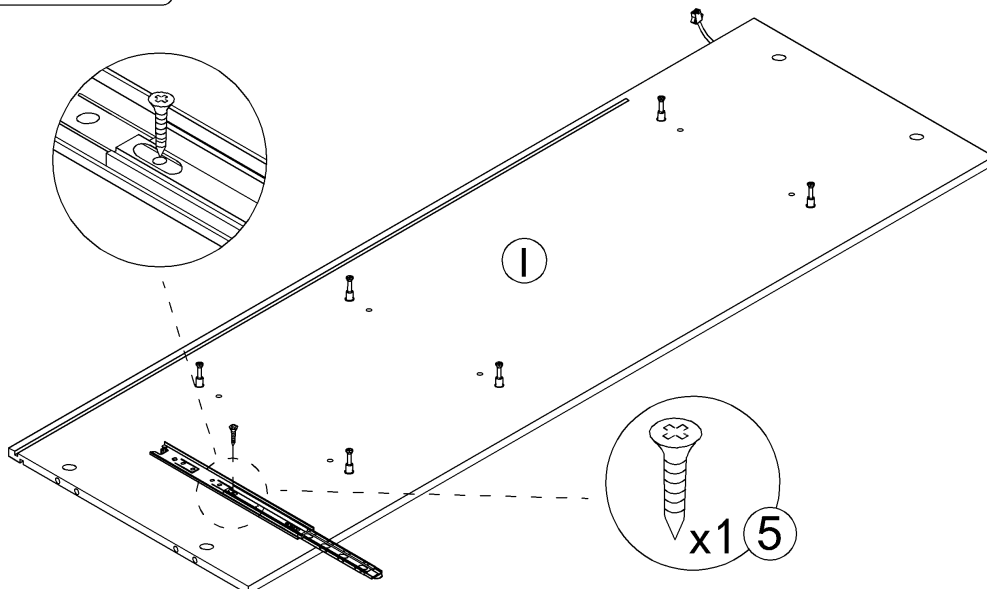
Step 14



### Step 15



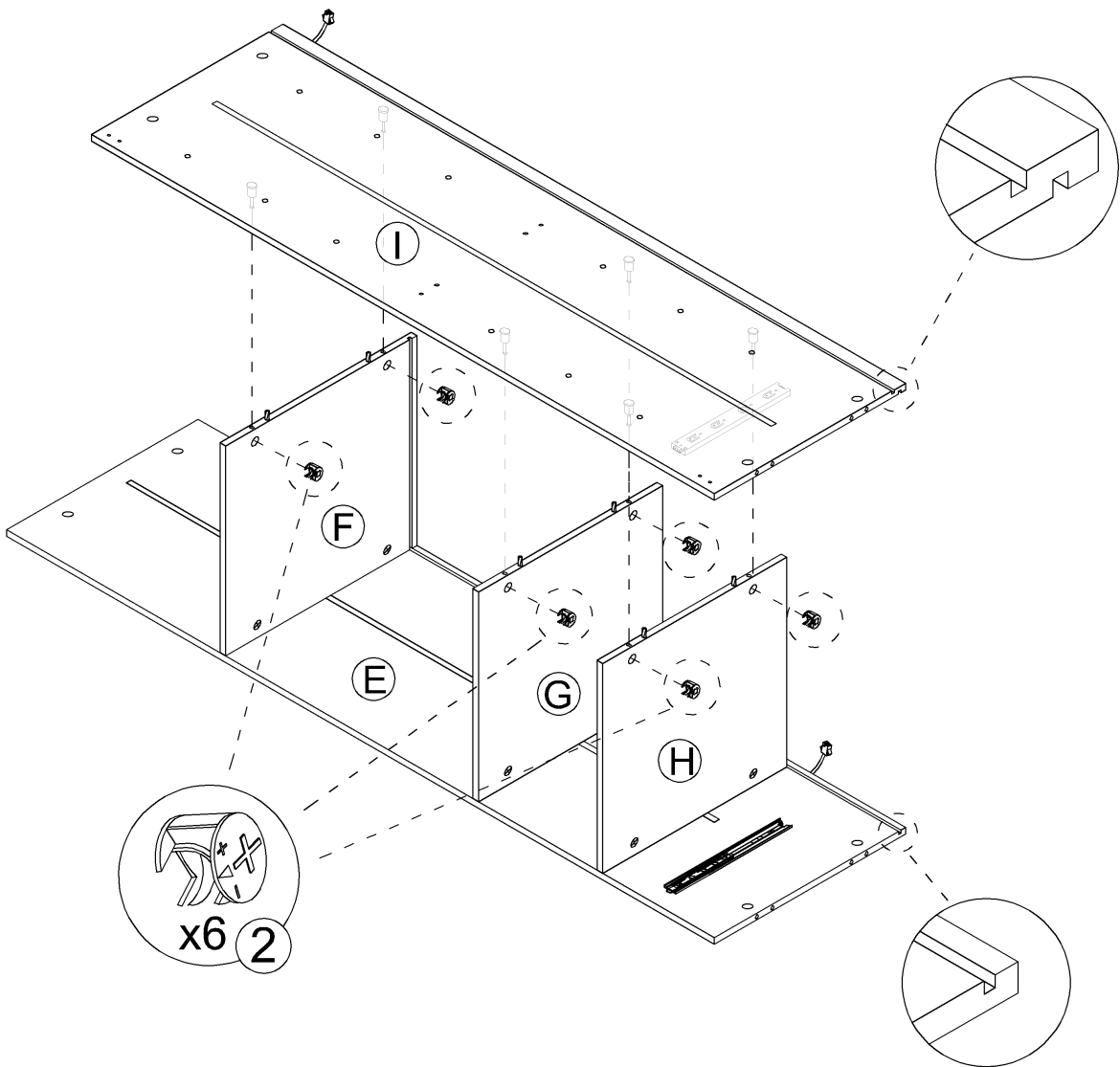
### Step 16



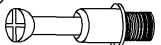
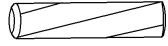


This hole is for strengthening fixed hole customers can choose to install according to their needs.

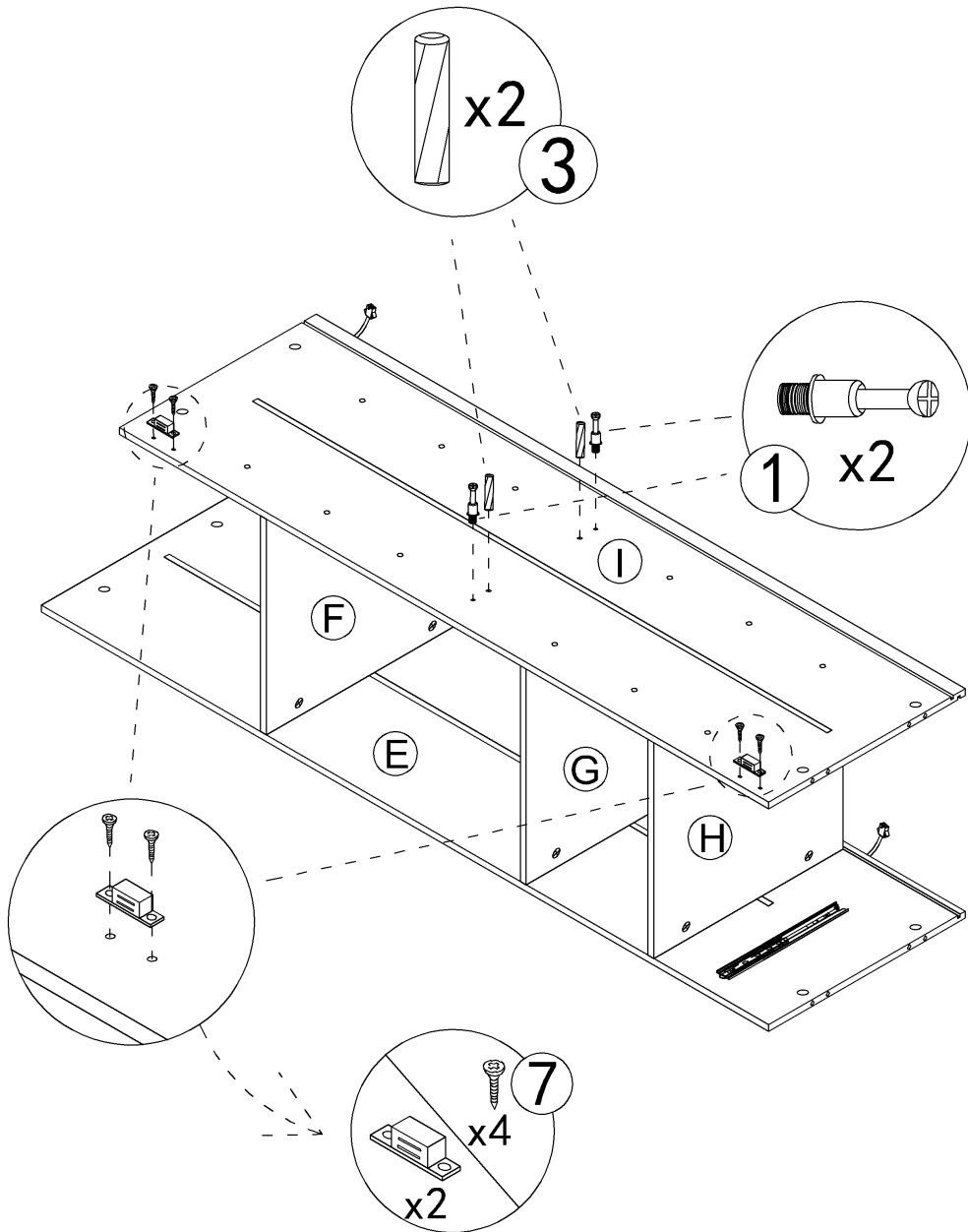
Step 17

2  x6



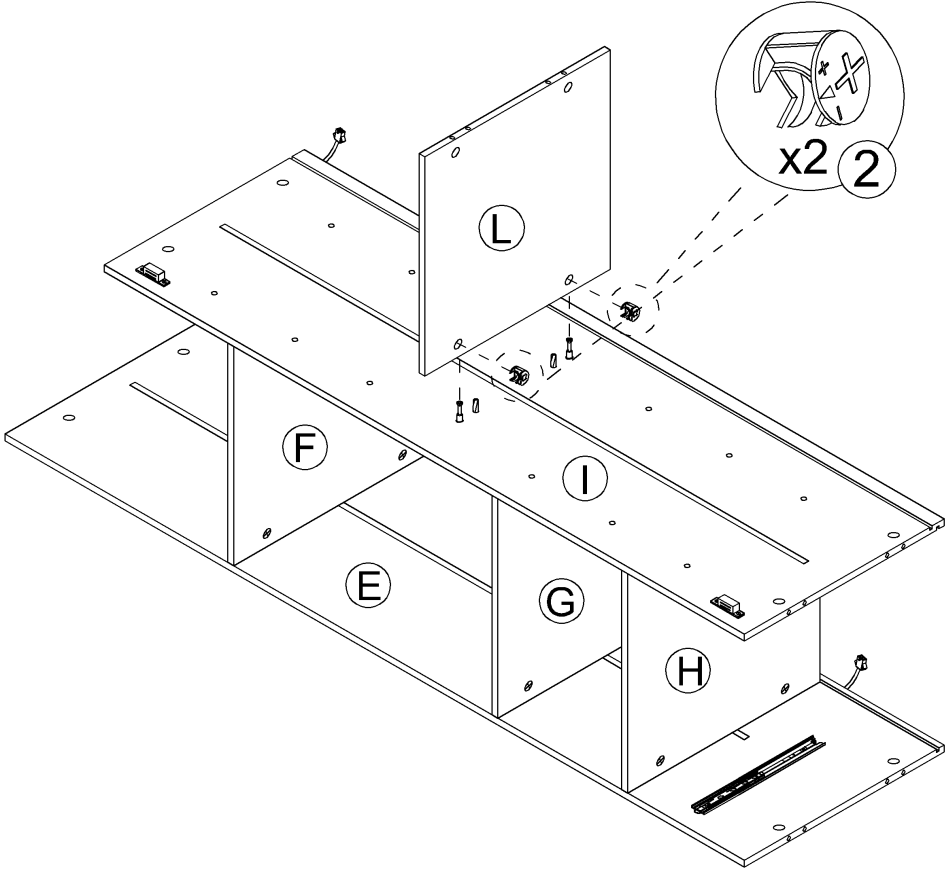
Step 18

- ①  x2
- ③  x2
- ⑦  x2       x4

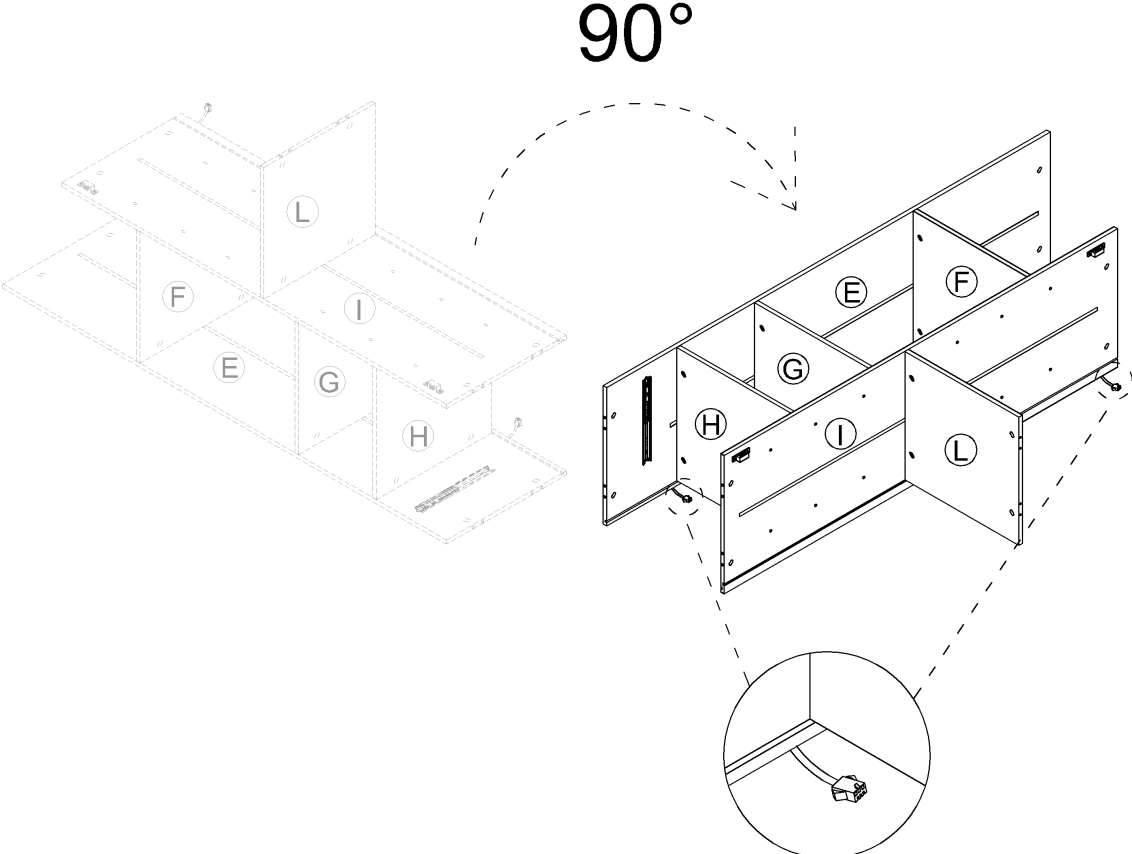


Step 19

2  x2



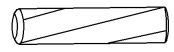
Step 20



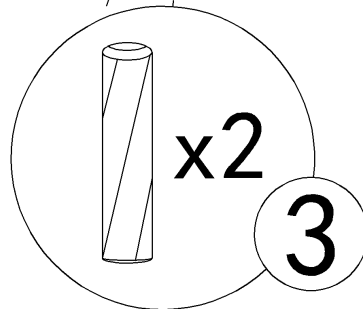
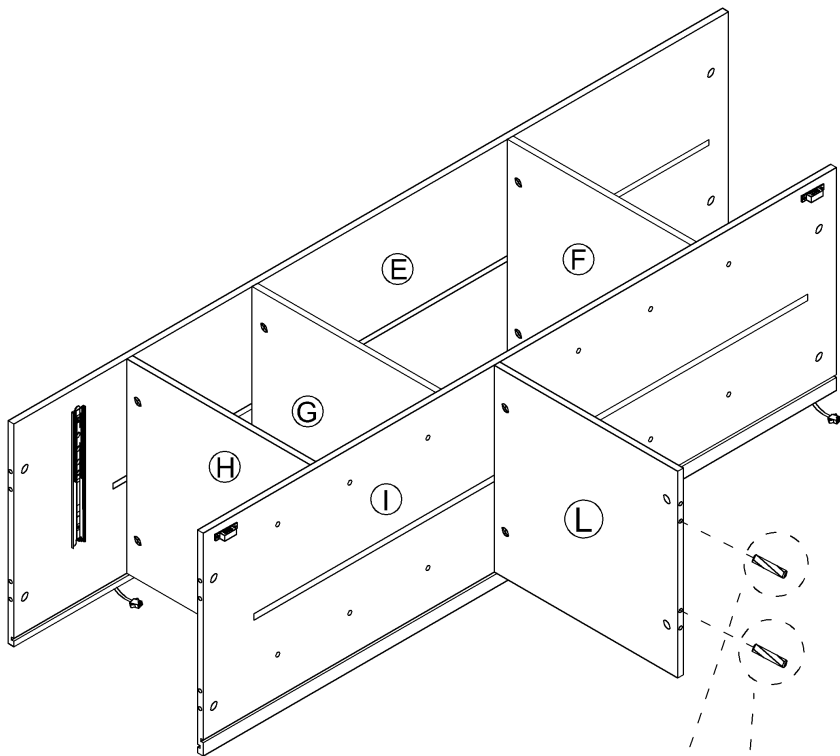
Do not press on the light wire

Step 21

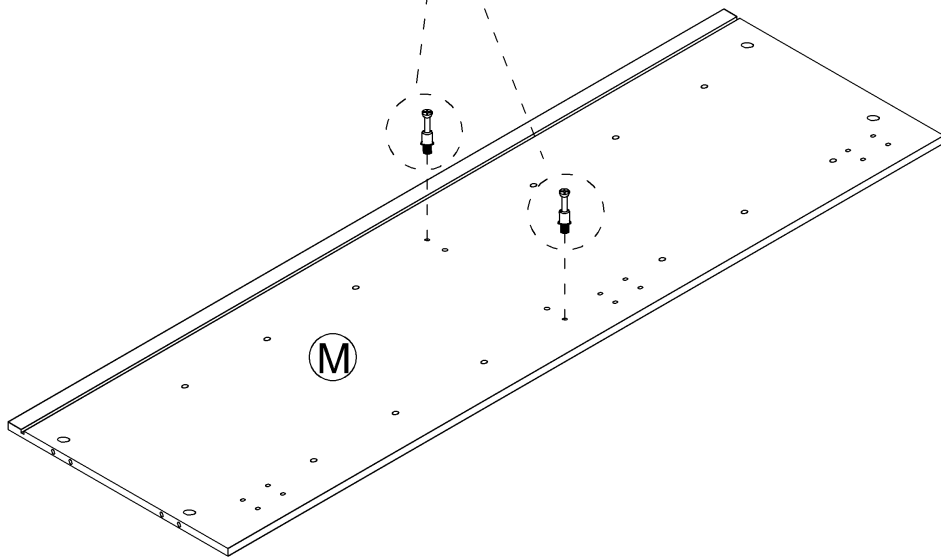
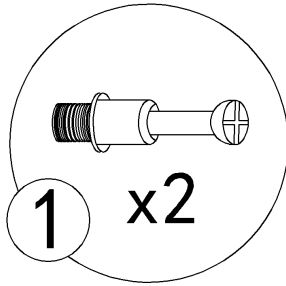
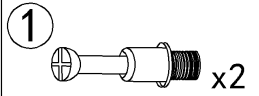
3



x2



Step 22

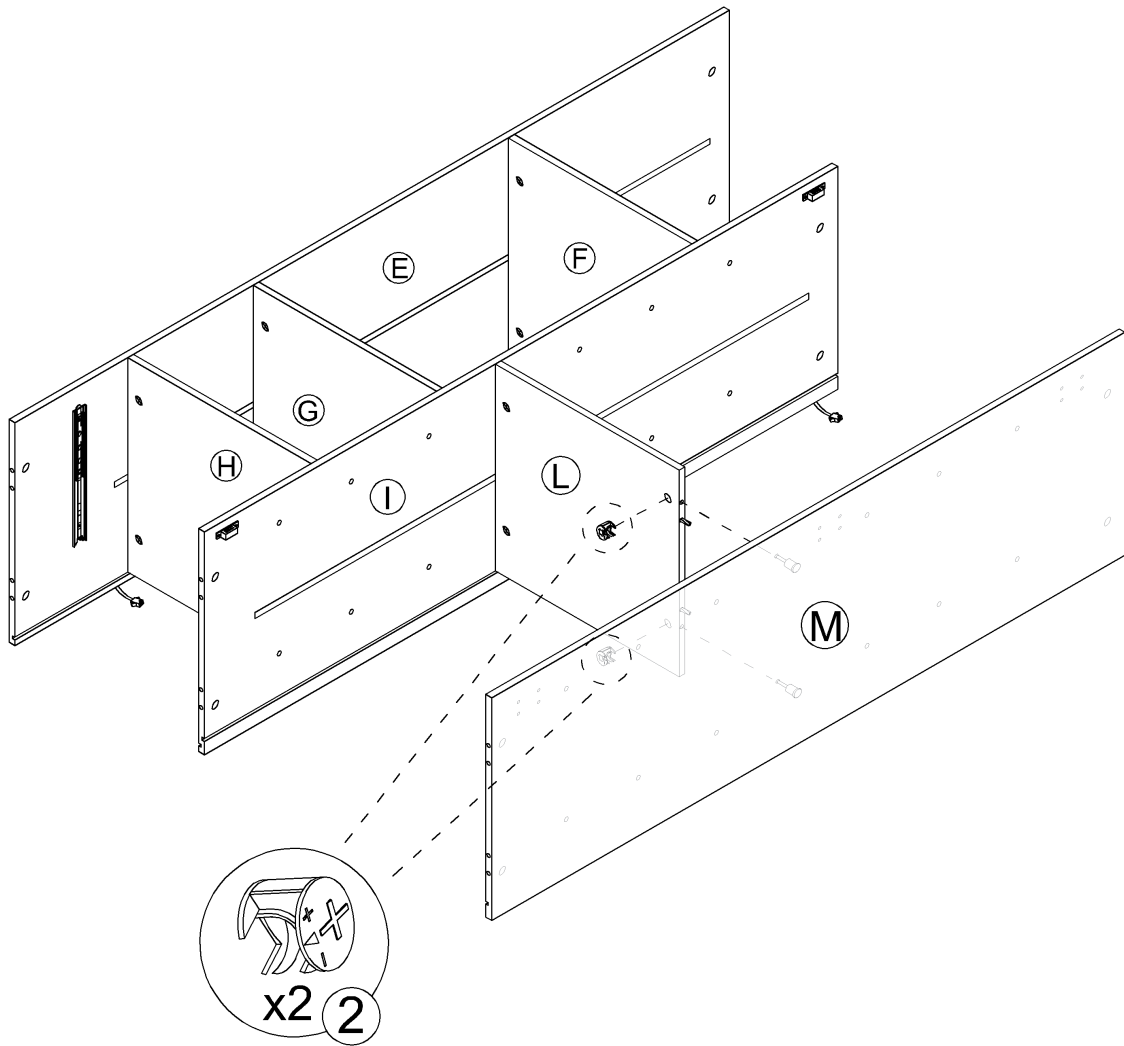


Step 23

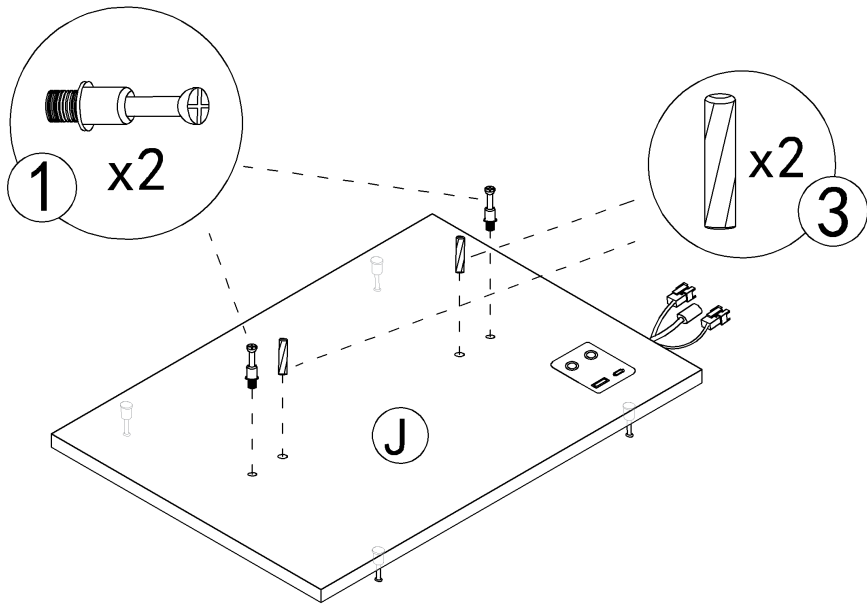
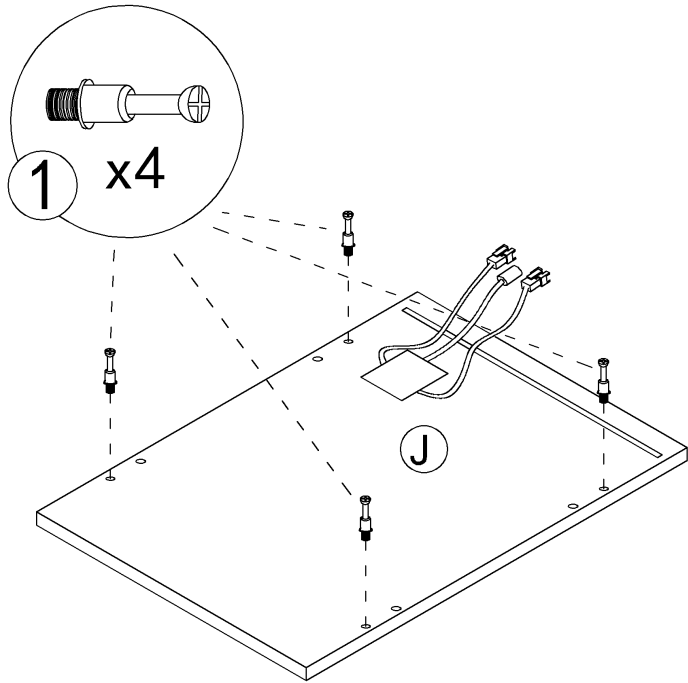
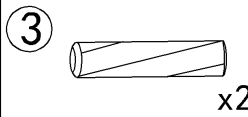
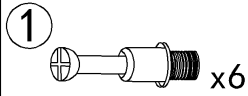
2



x2

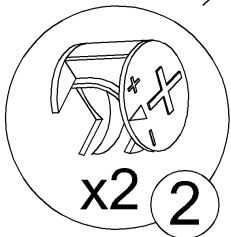
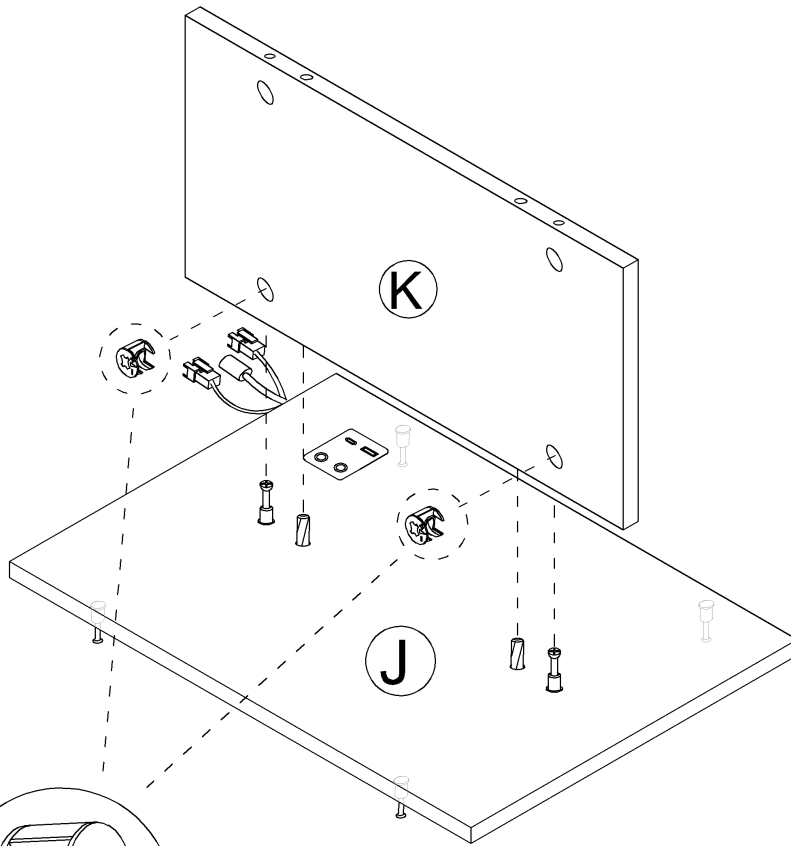
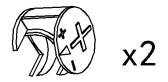


Step 24

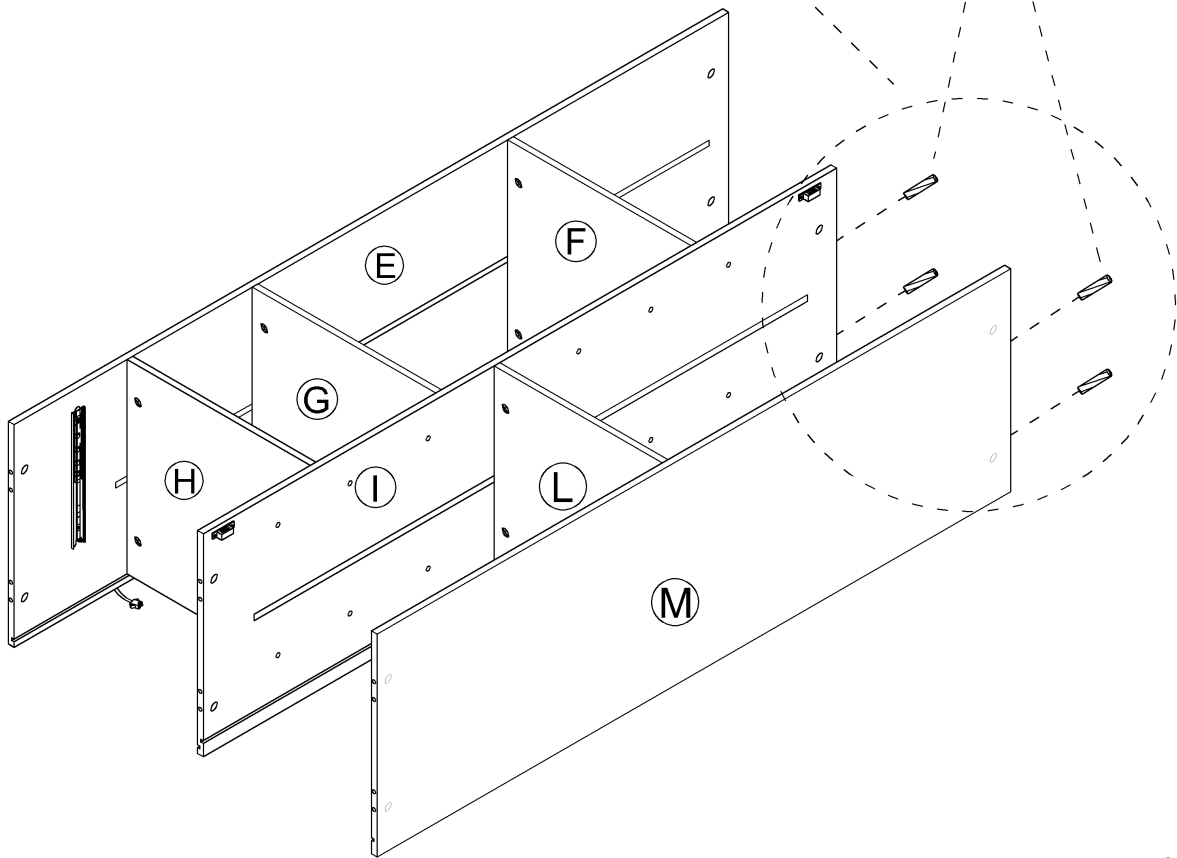
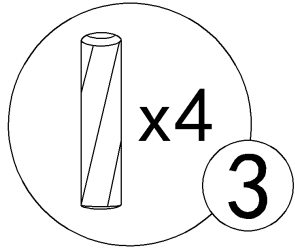
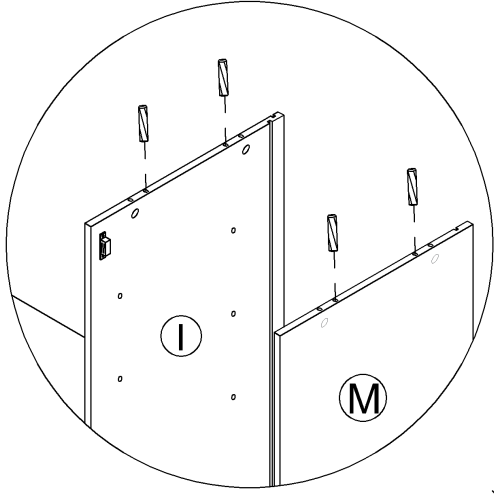
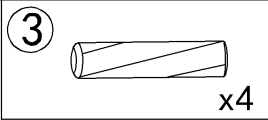


Step 25

2

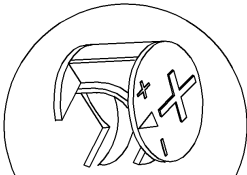


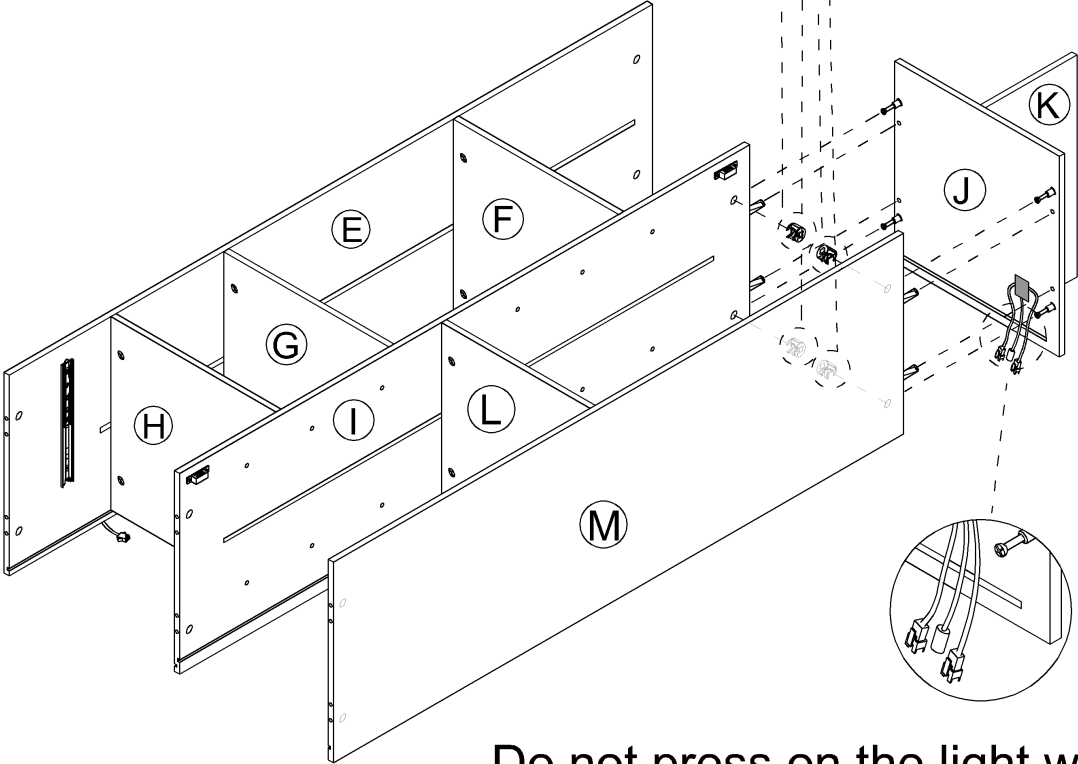
Step 26



Step 27

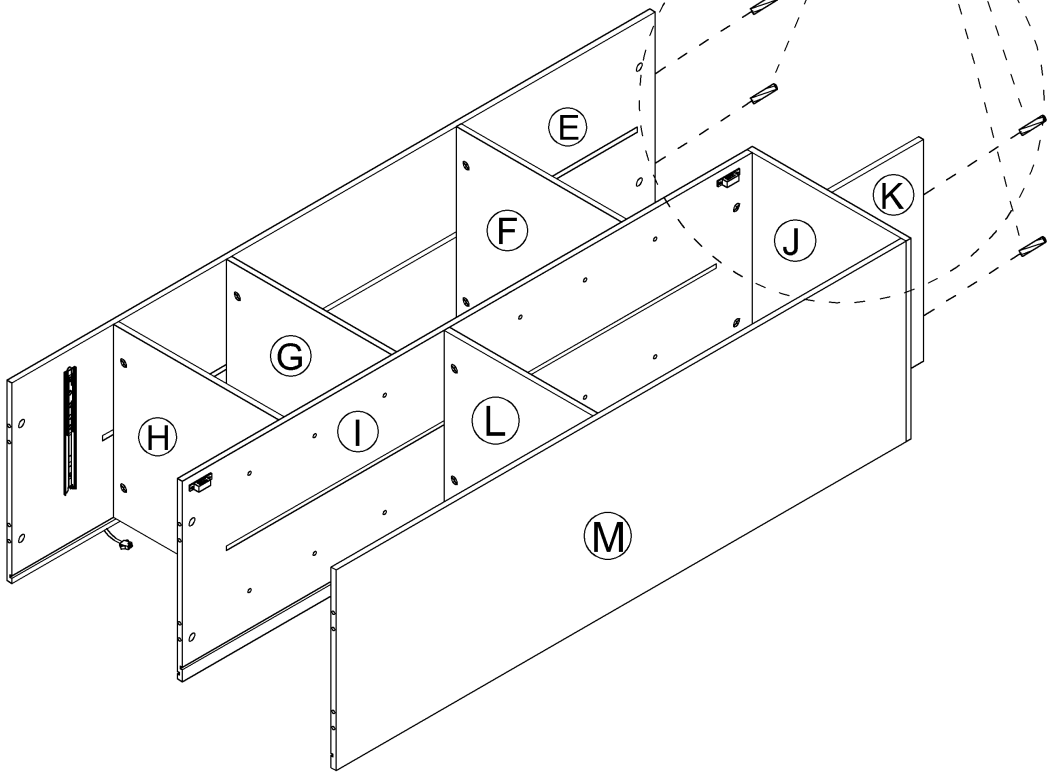
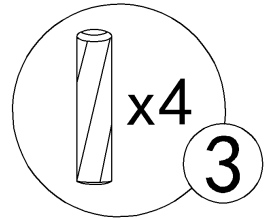
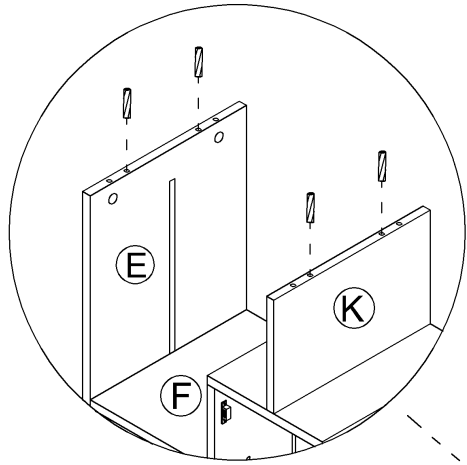
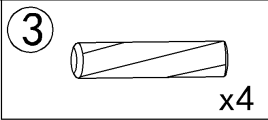
2  x4

  
x4 2

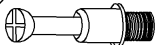
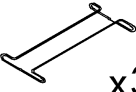
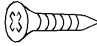


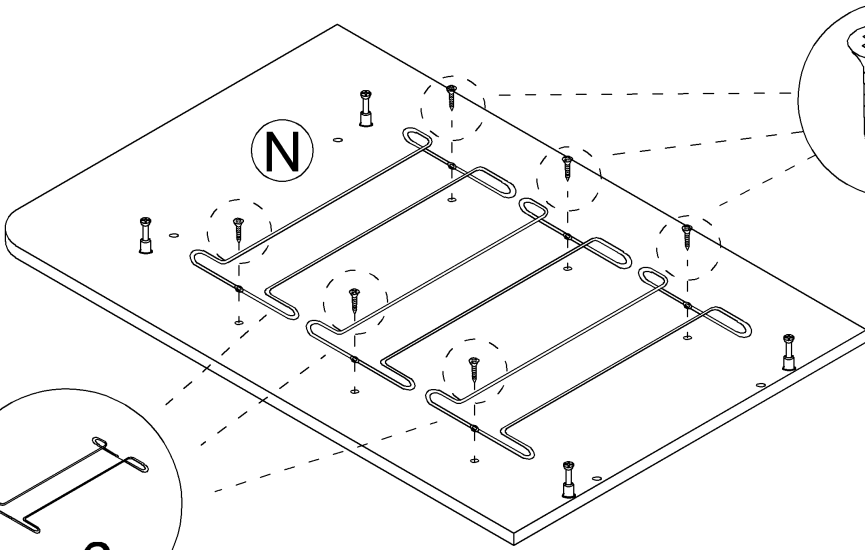
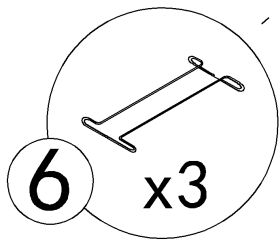
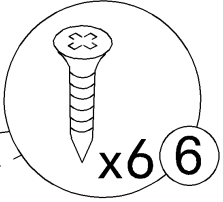
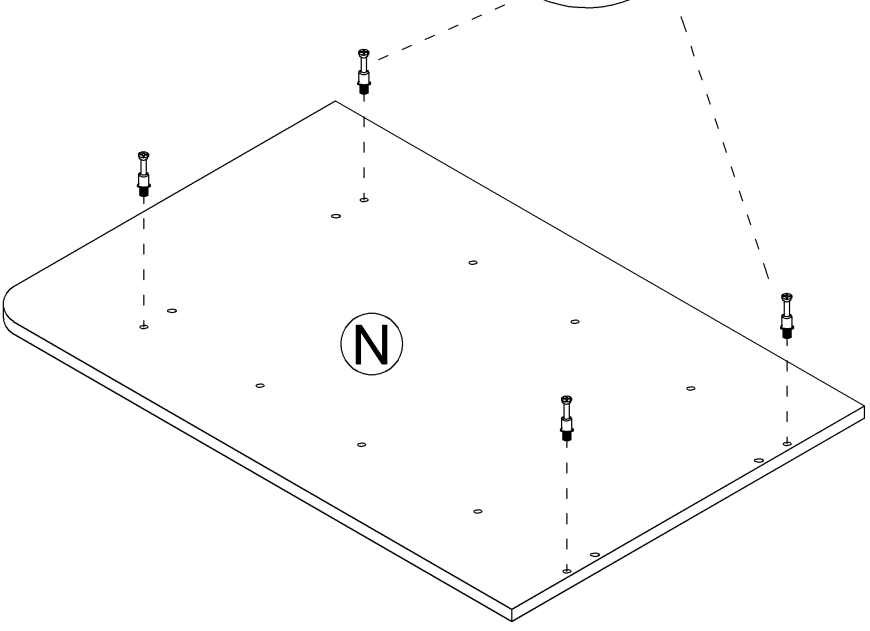
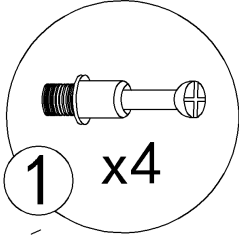
Do not press on the light wire

Step 28



Step 29

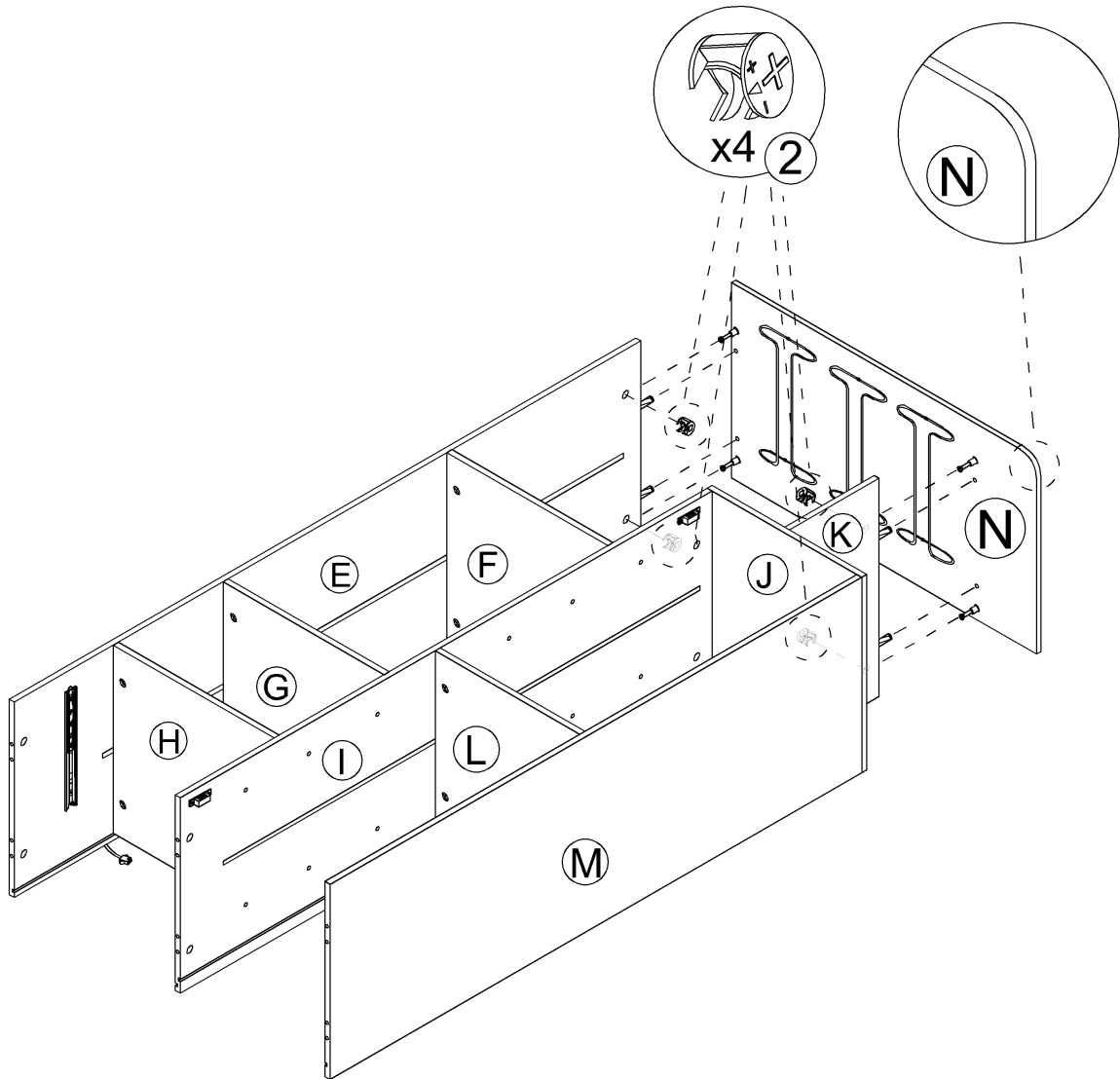
- 1  x4
- 6  x3
-  x6



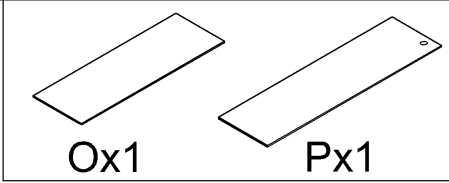
Step 30

2  x4

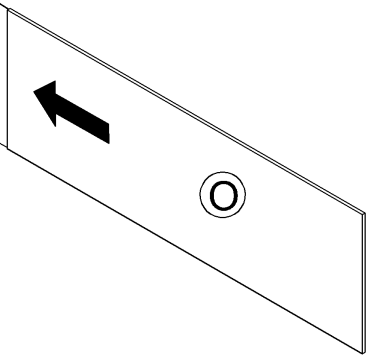
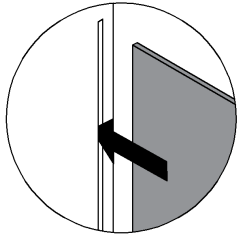
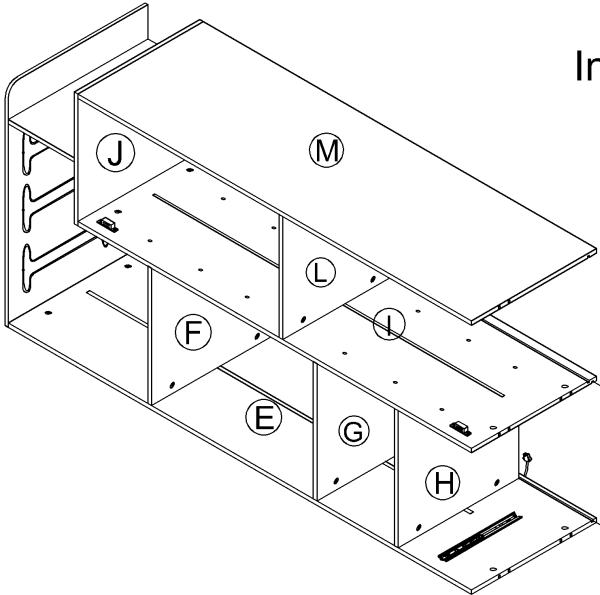
pay attention to



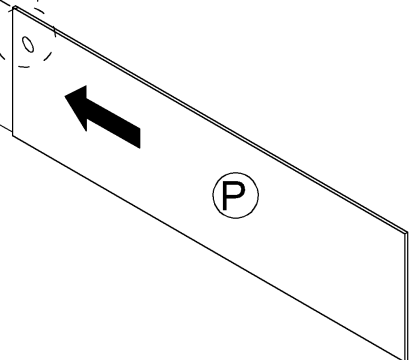
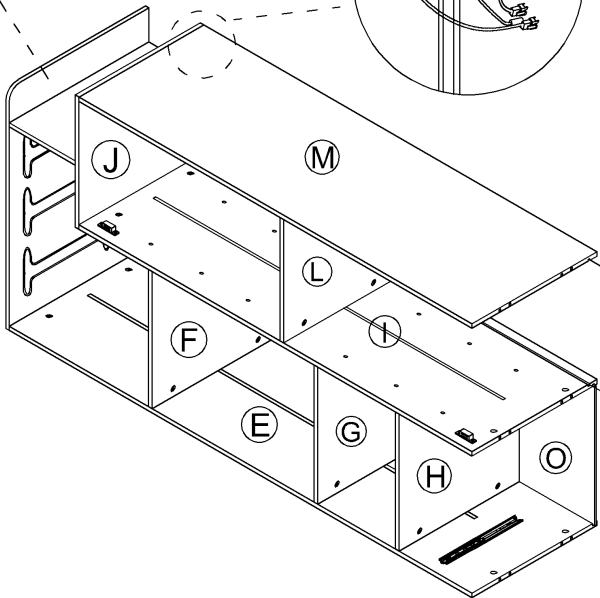
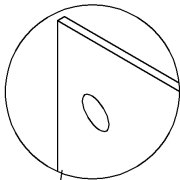
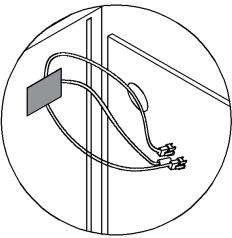
Step 31



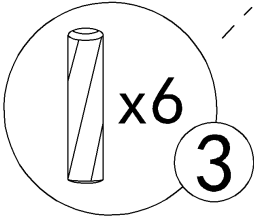
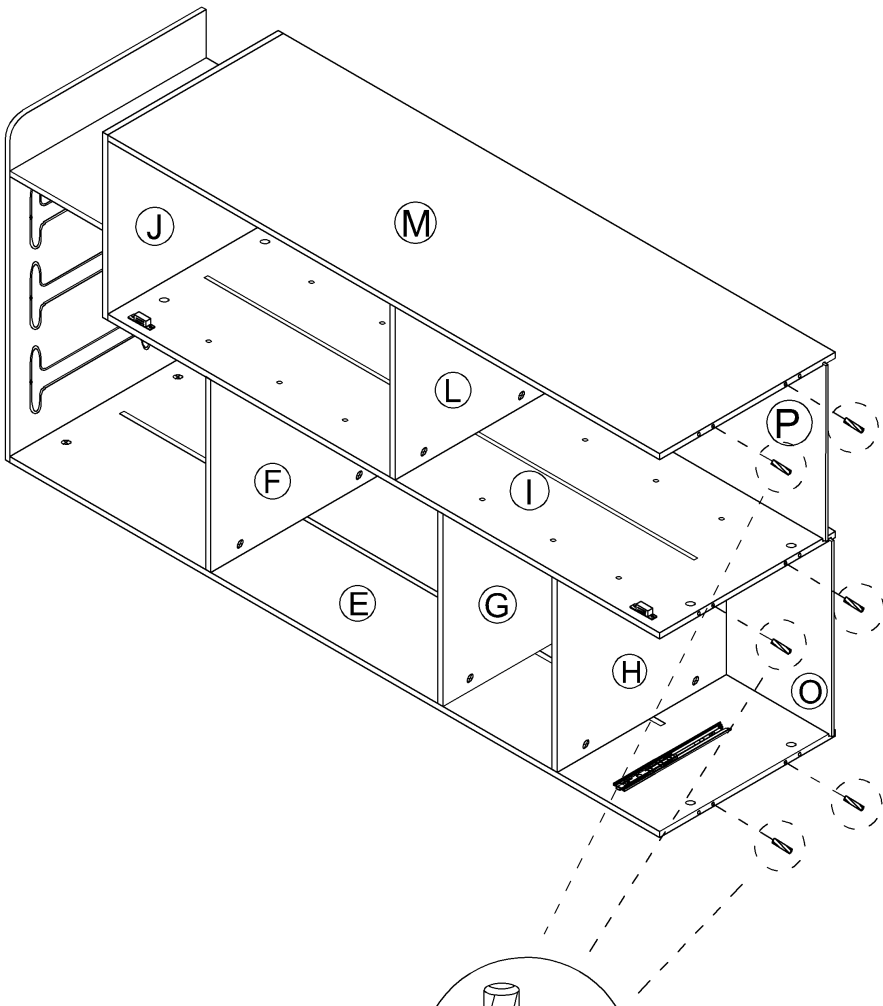
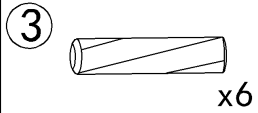
Insert the board into the slot



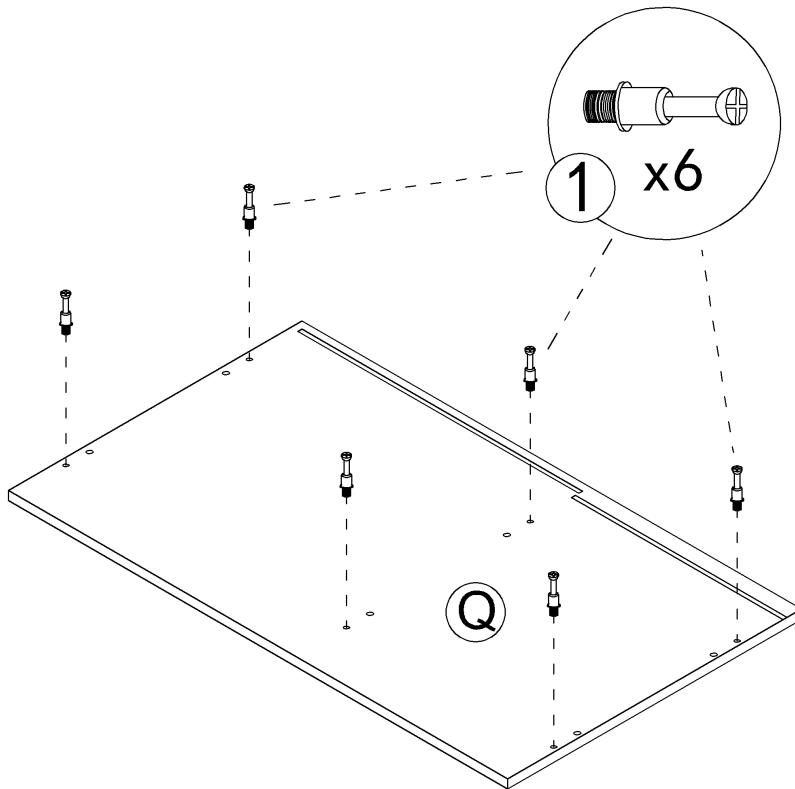
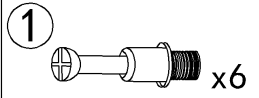
N



Step 32

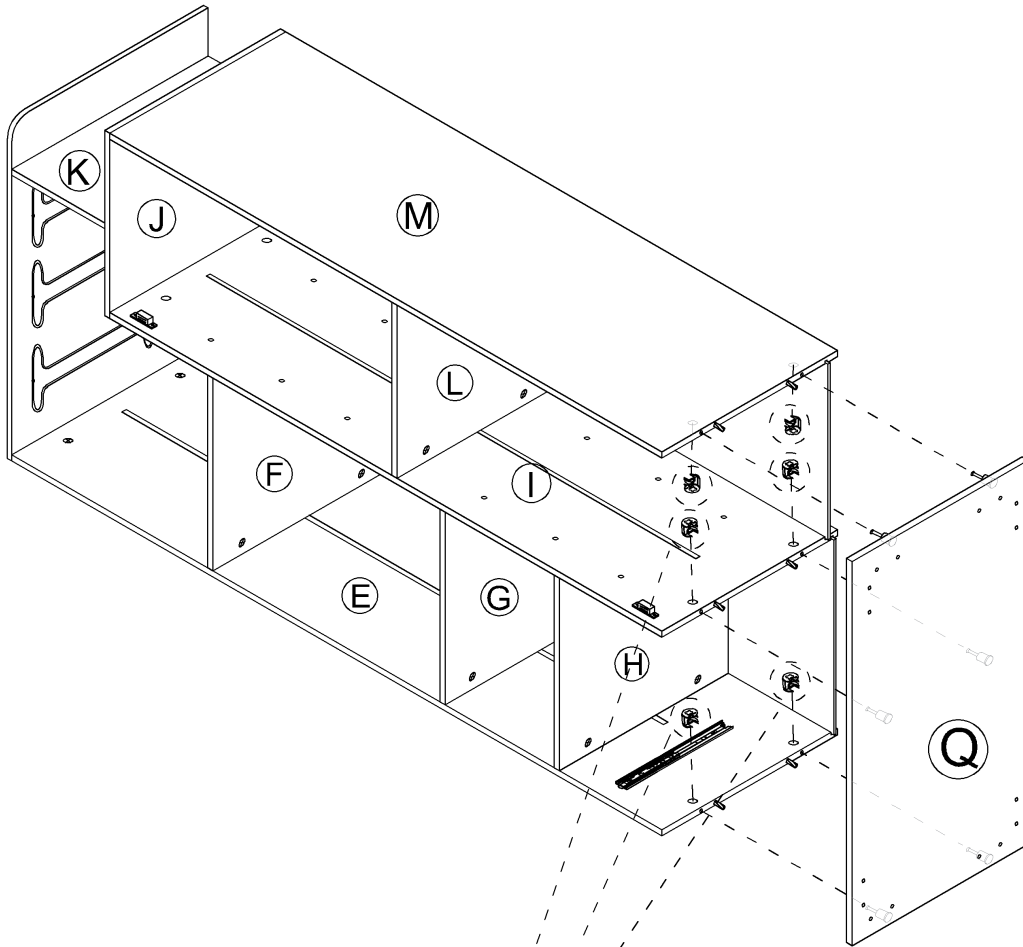



Step 33




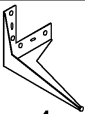
Step 34

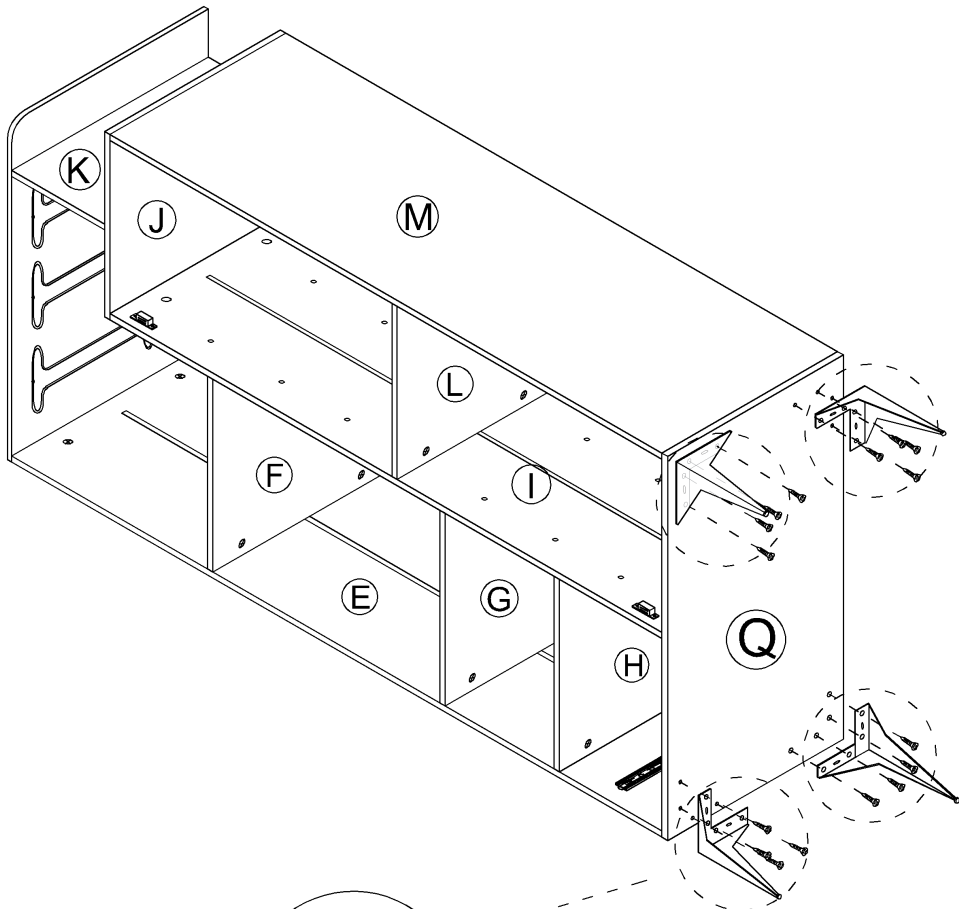
2  x6





 x6 2

Step 35

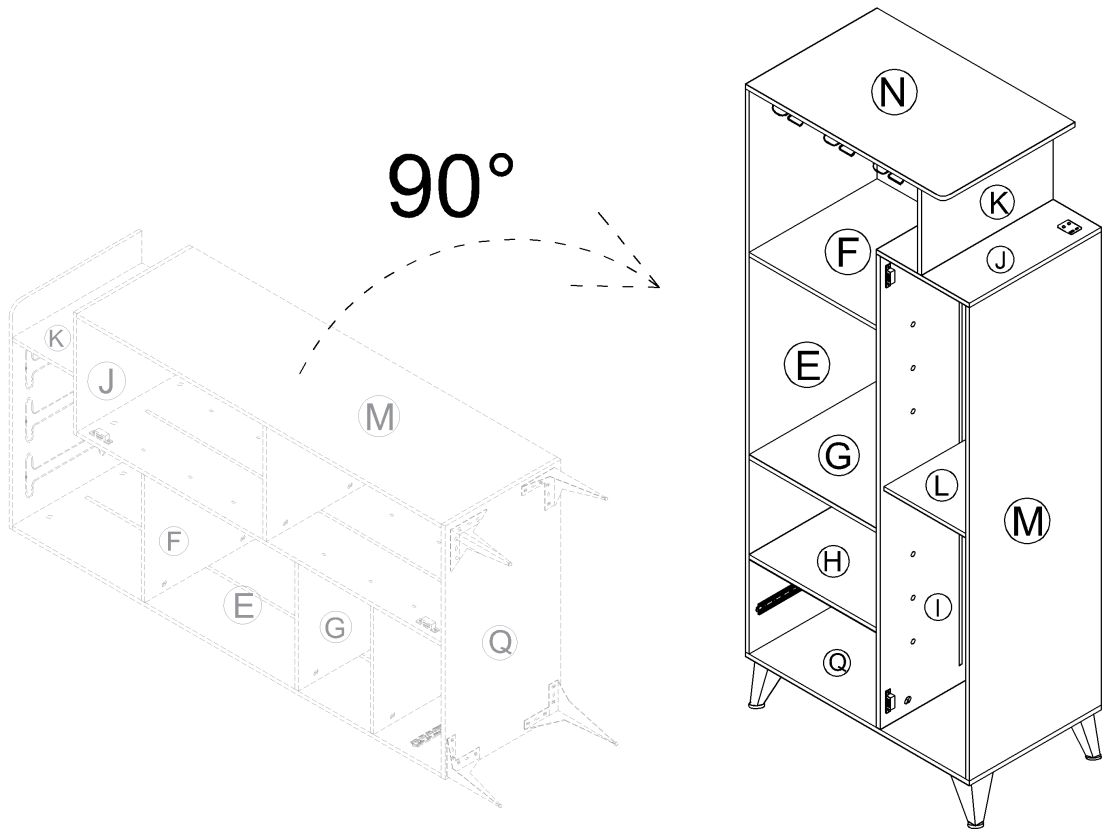
9  x16  x4



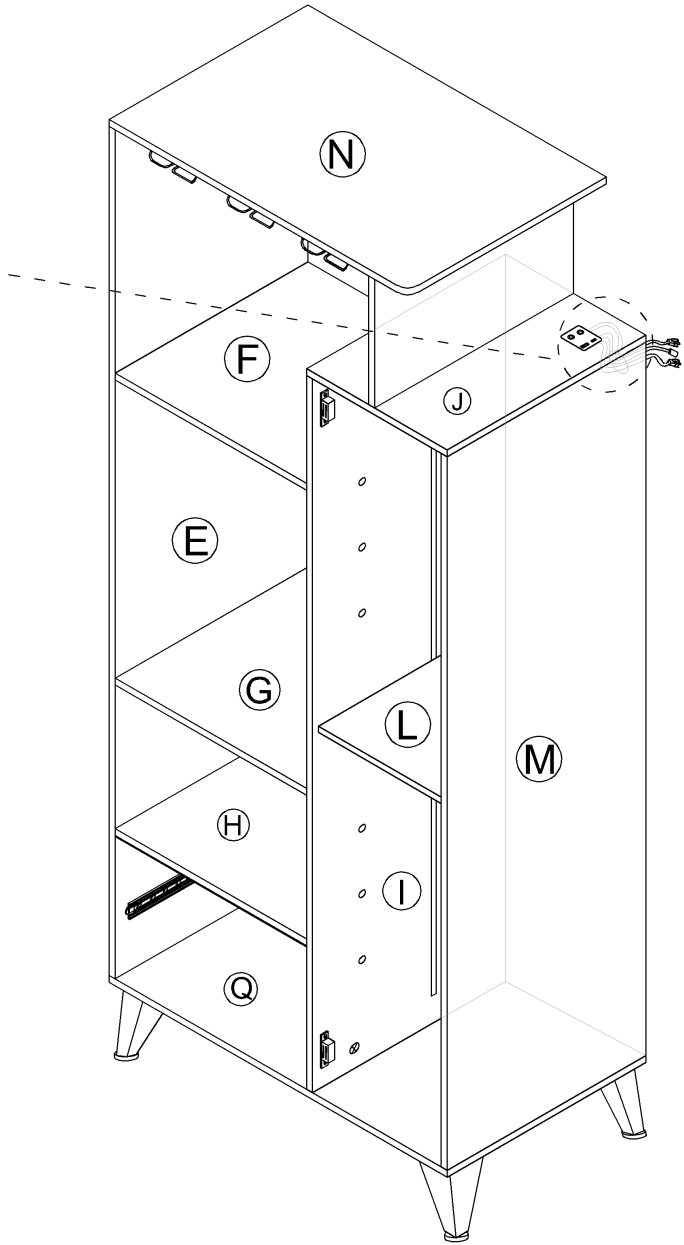
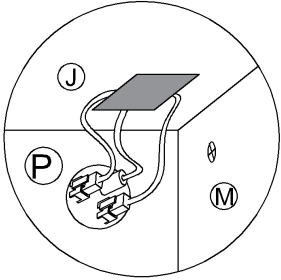
 x16 9

x4  9

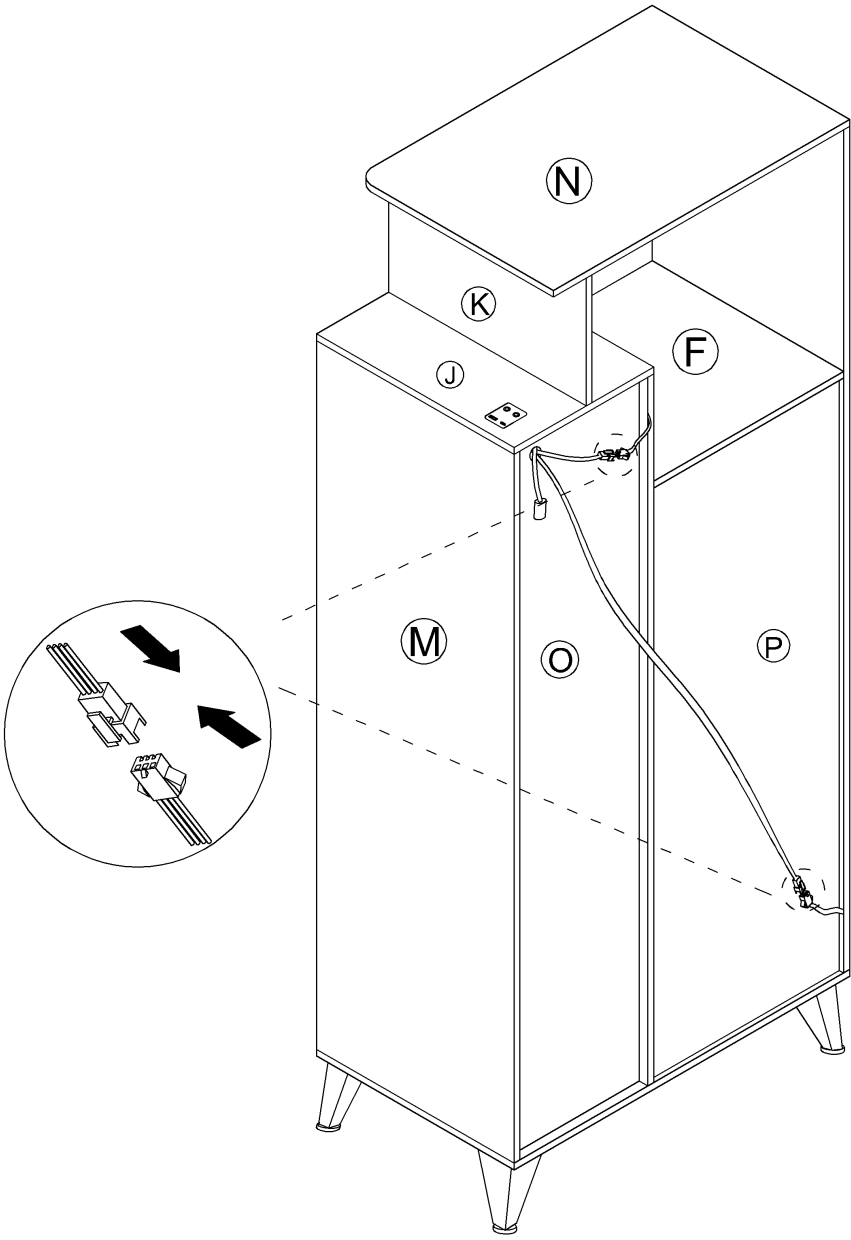
Step 36



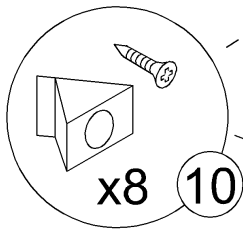
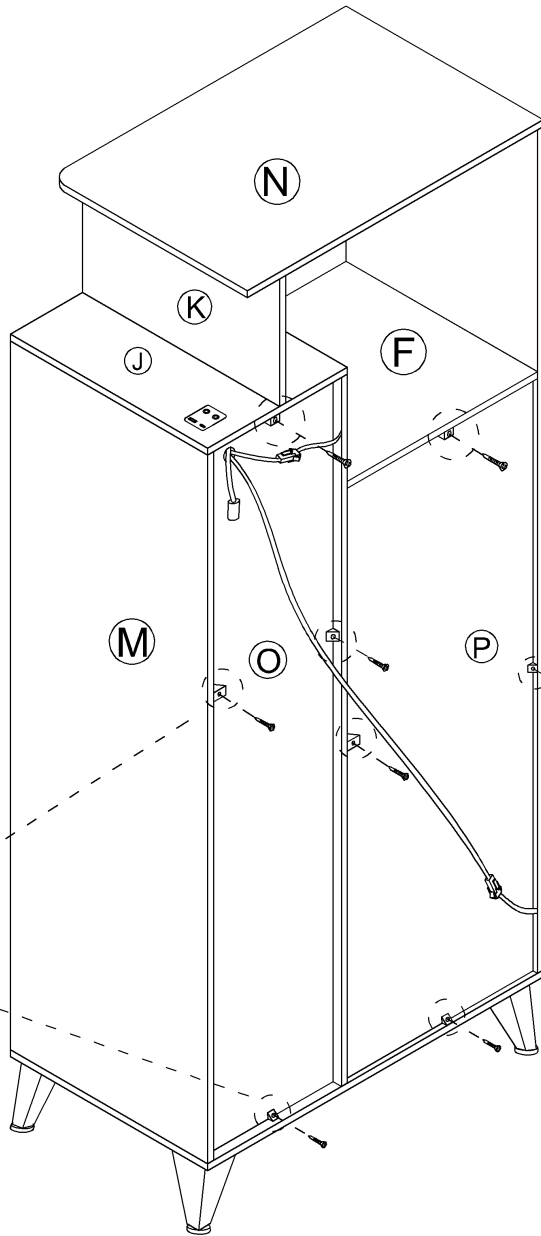
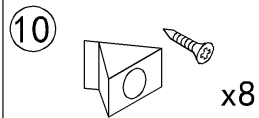
Step 37



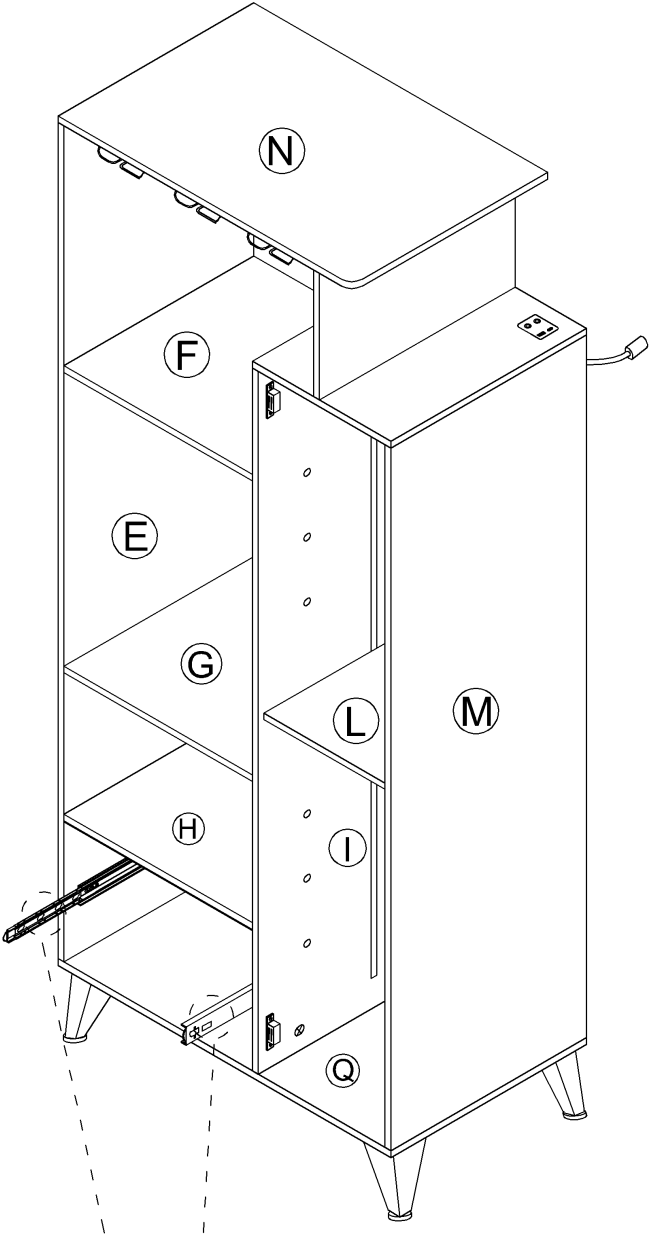
Step 38



Step 39

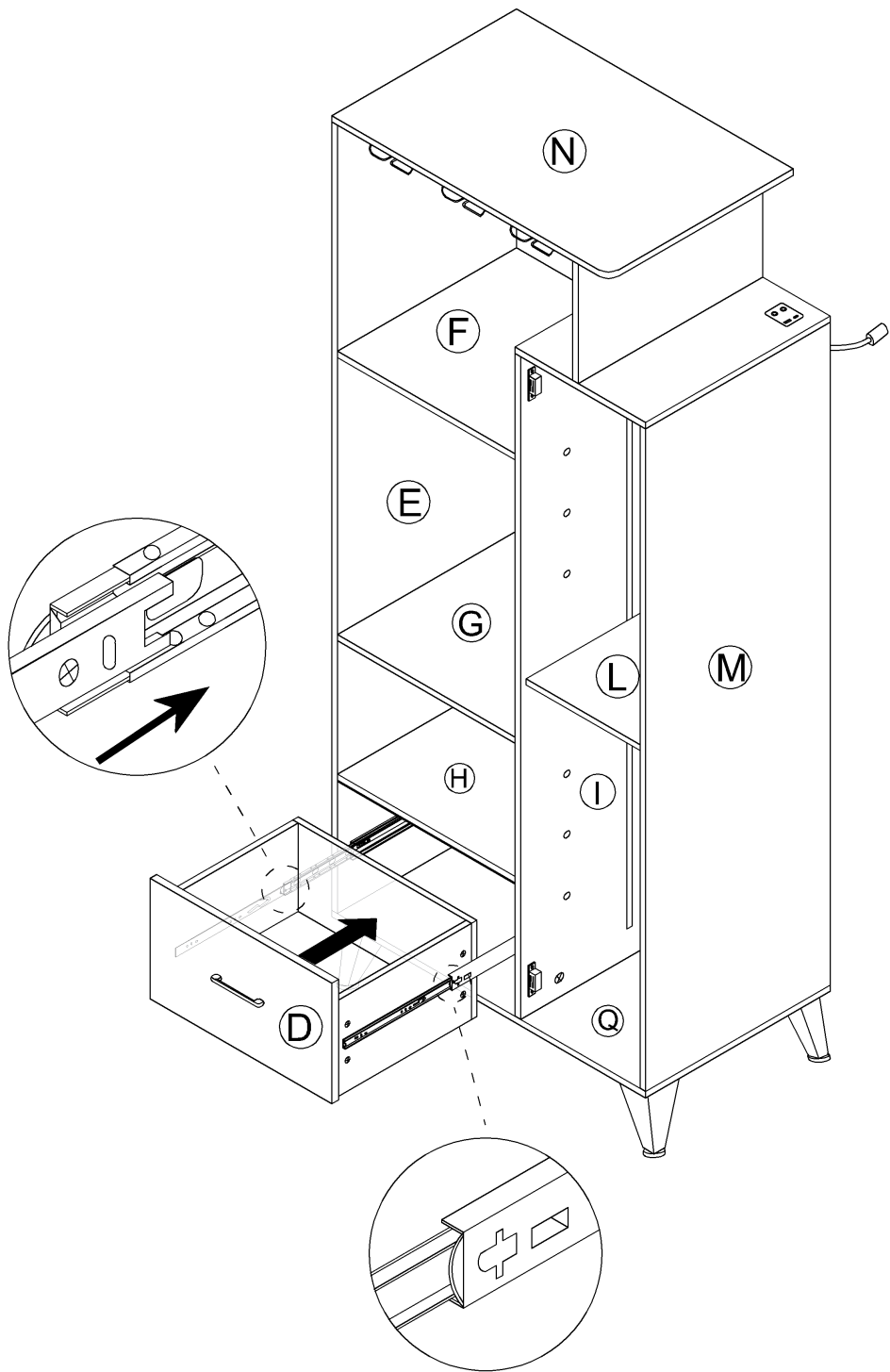


Step 40

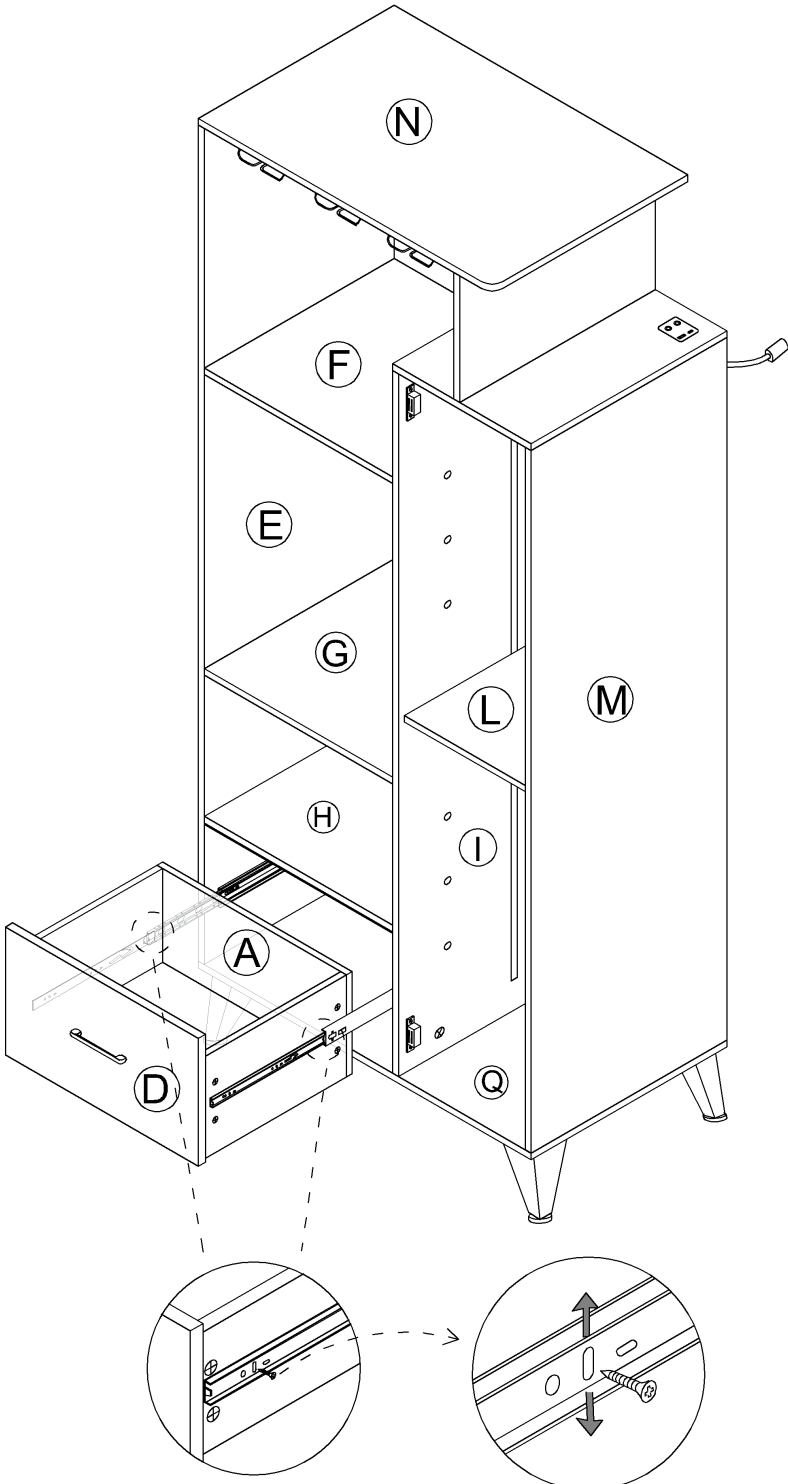


As shown, When installing the drawer, pull the guide rail out first, Slide beads are also pulled out.

Step 41

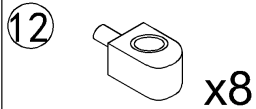


Step 42

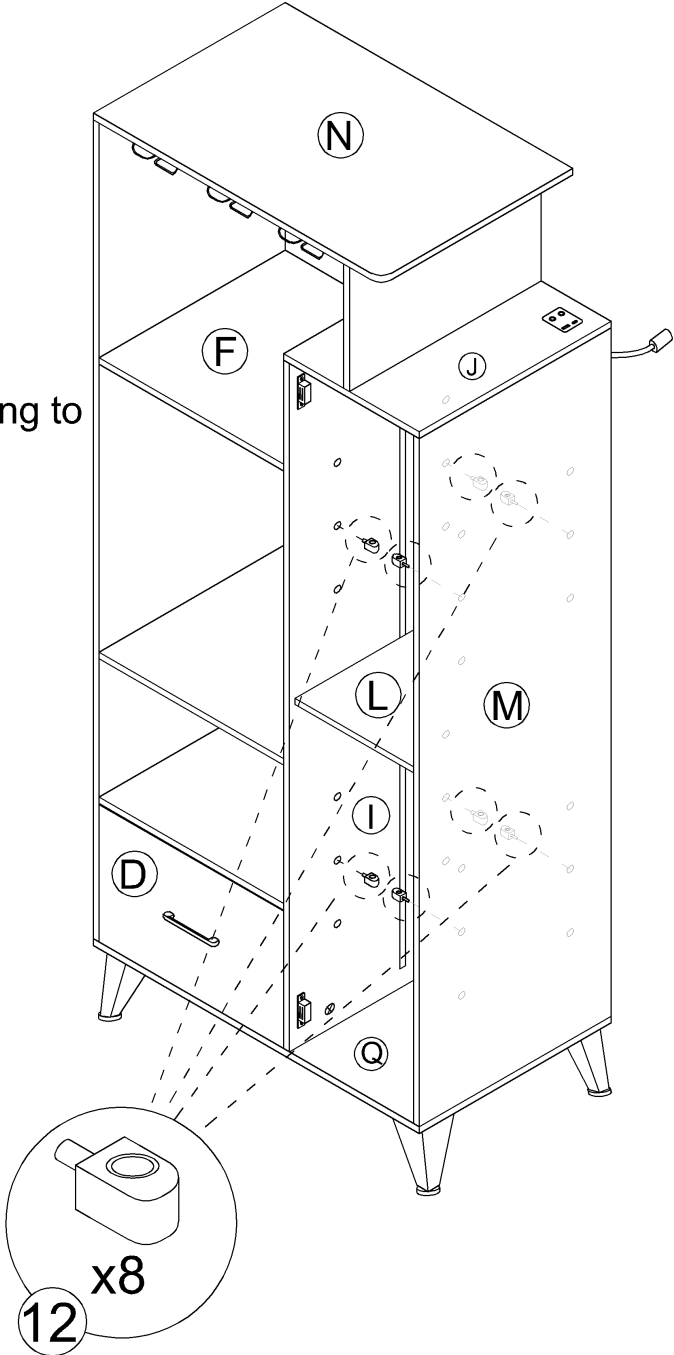


If a large gap is found after installing the drawer the slide rail can be moved up and down to adjust the gap

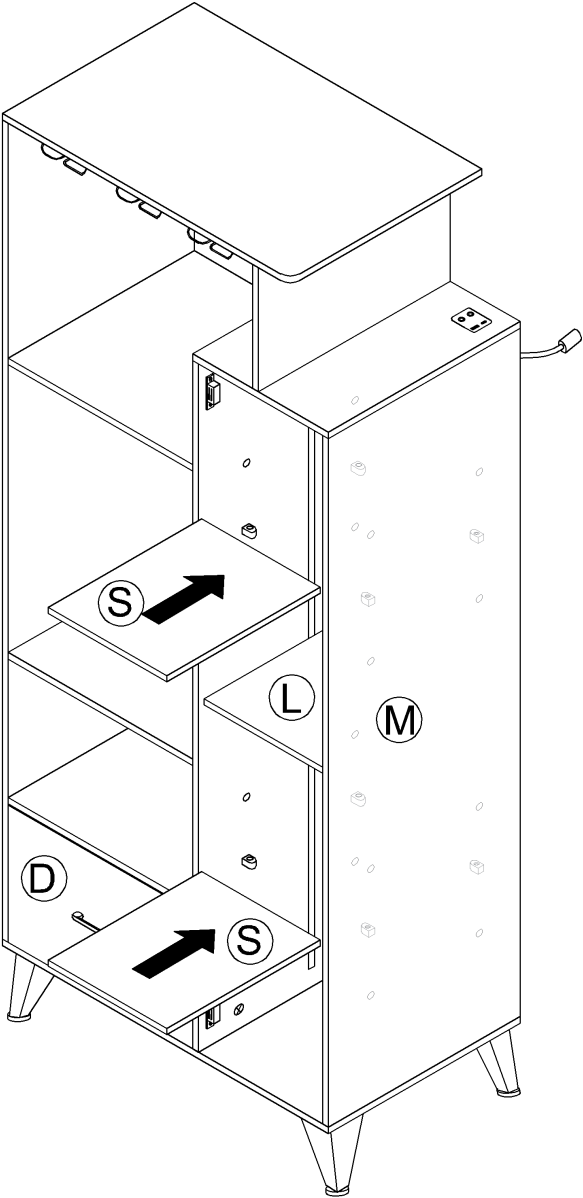
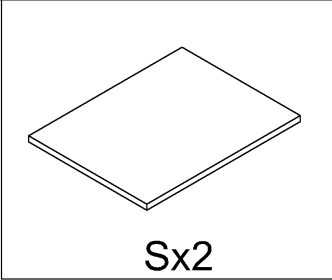
Step 43






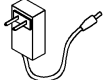






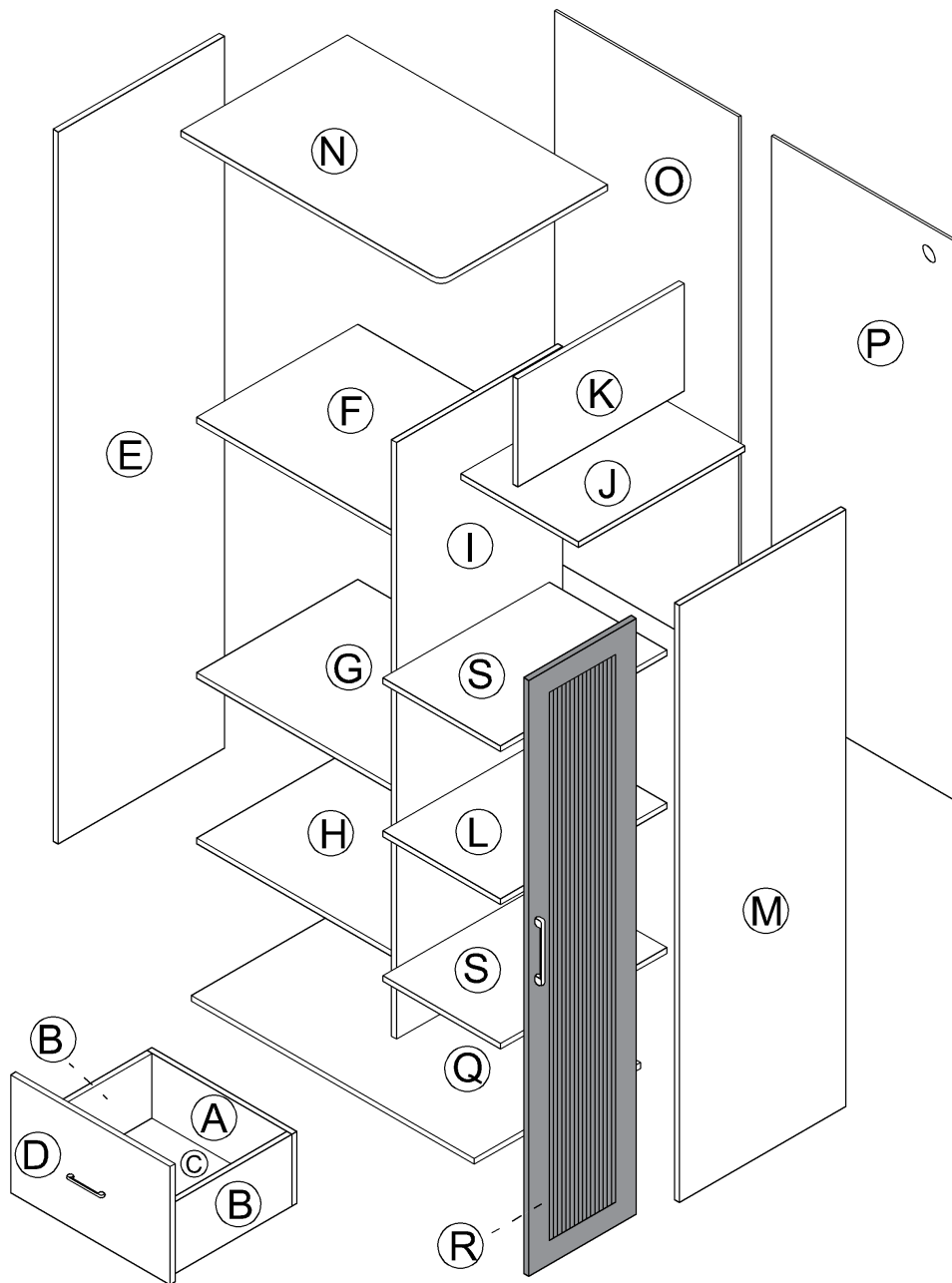
Adjust the height according to the actual situation



Step 44

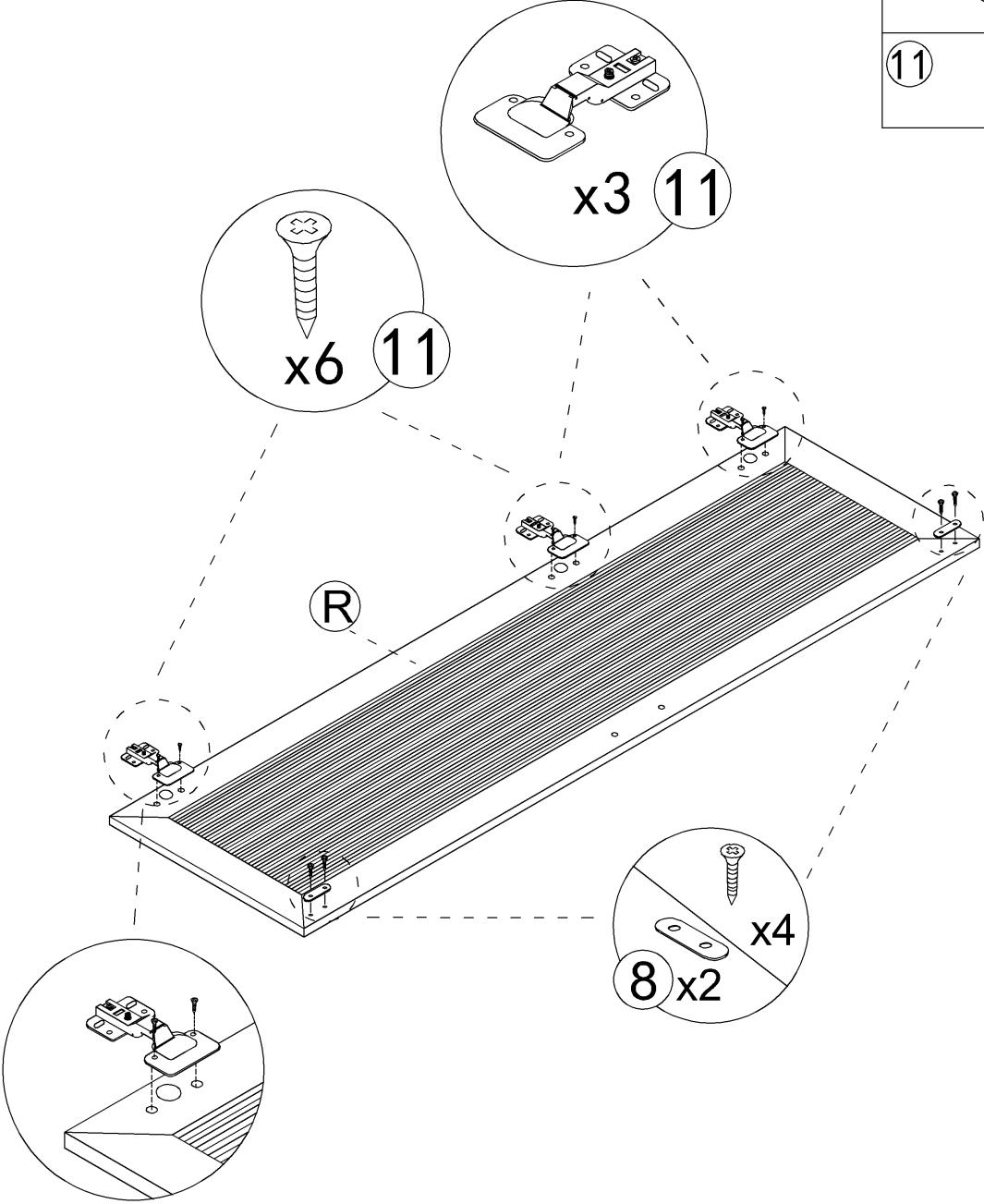


4	 1pcs  2pcs	13	 2pcs  6pcs  12pcs	 1pcs
8	 2pcs  4pcs			
11	 3pcs  18pcs			



Step 45

- 8 x2    11 x4
- 11 x3
- 11 x6

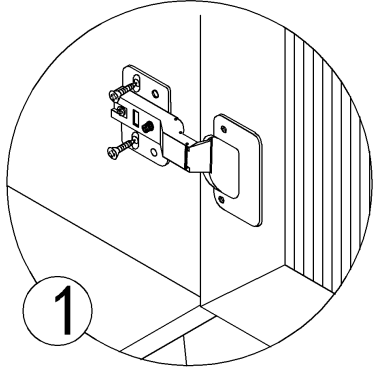
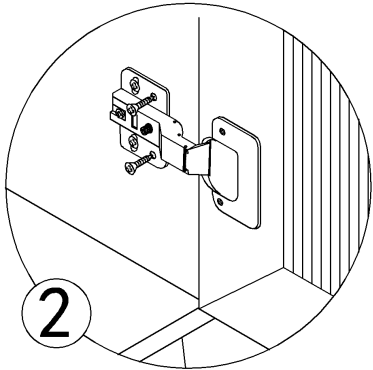
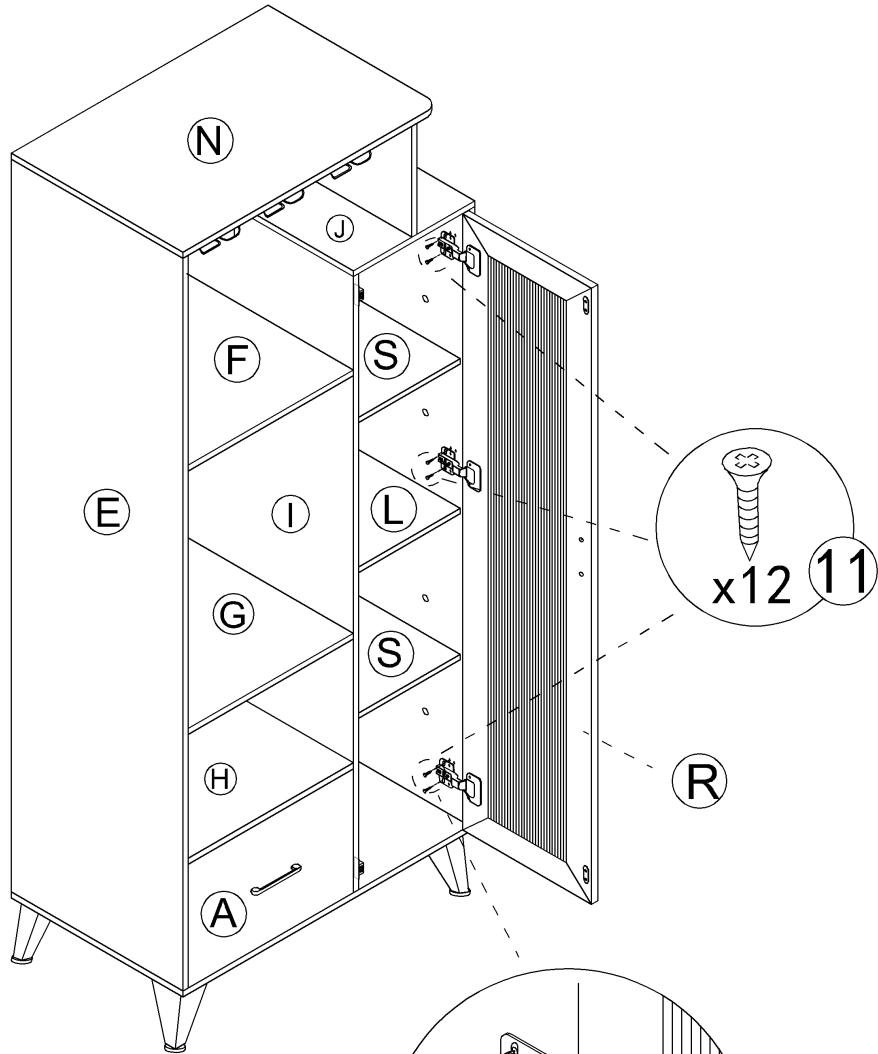


Step 46

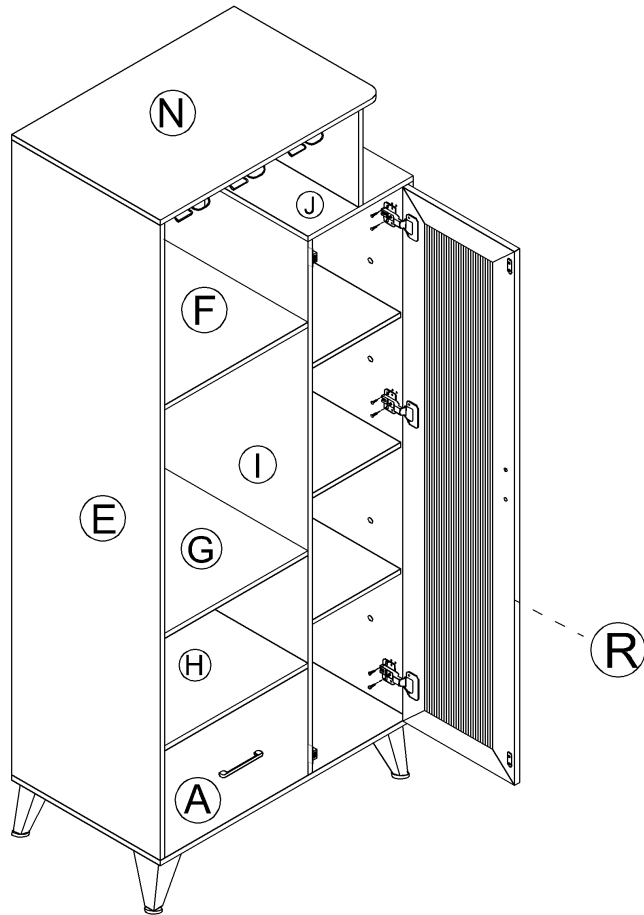
11



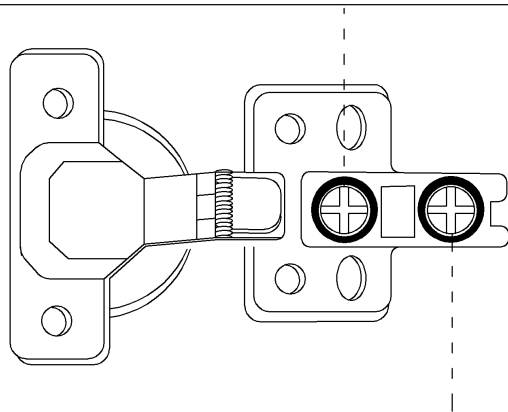
x12



First lock the elliptical hole then lock the fixed hole



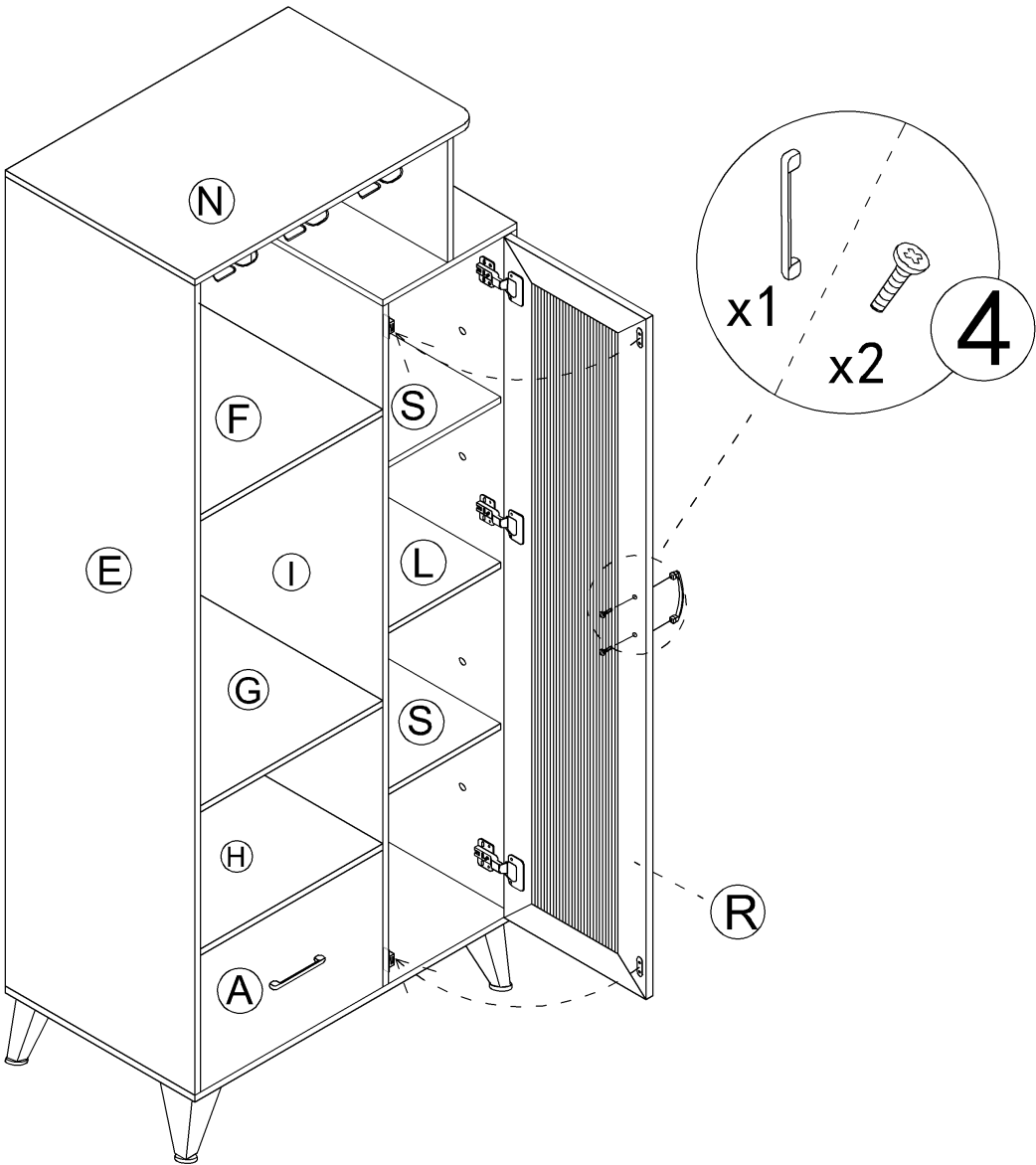
Turning this screw can effectively adjust the size of the door gap.



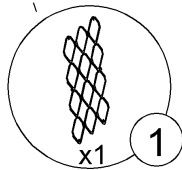
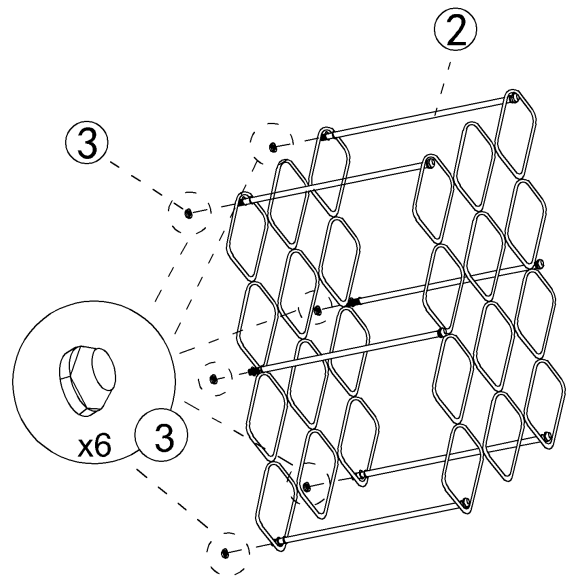
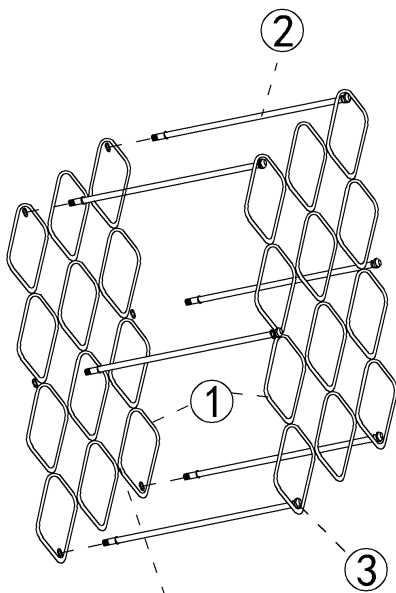
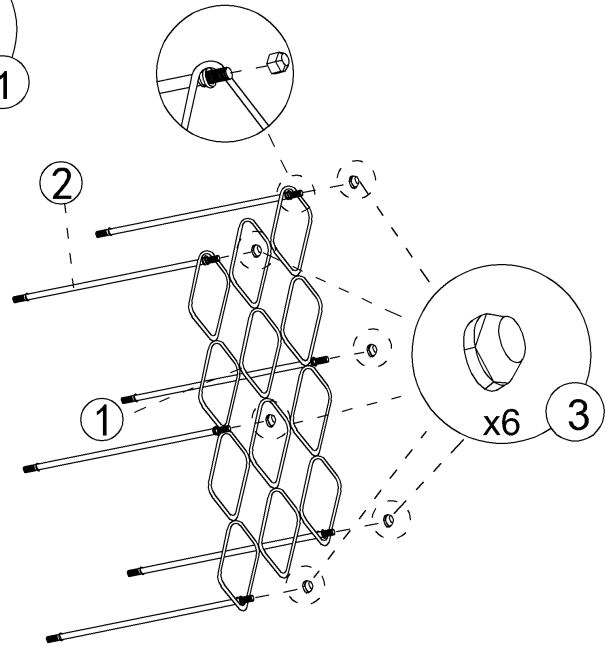
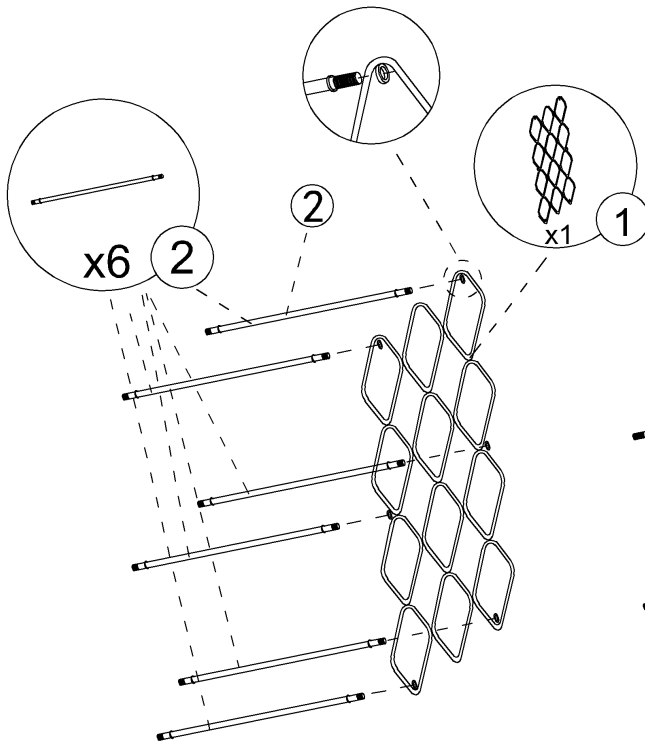
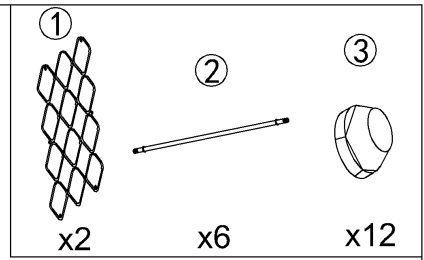
Turn this screw to adjust the door panel to be flat with the side panel.

Step 47

- 4 x1
- 4 x2

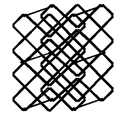


# Step 48

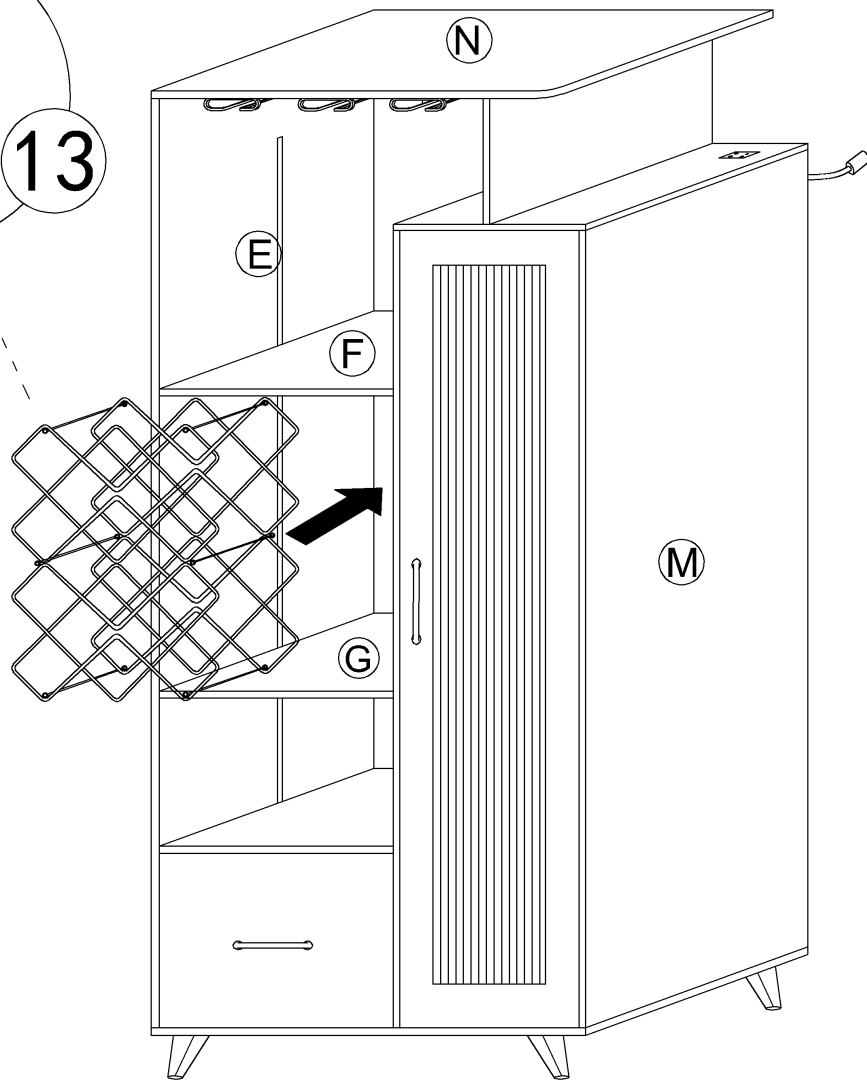
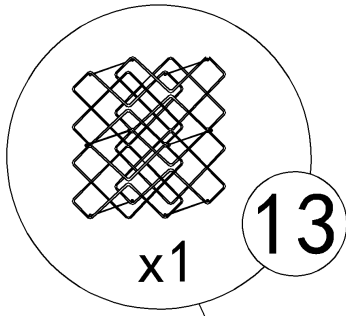


Step 49

13

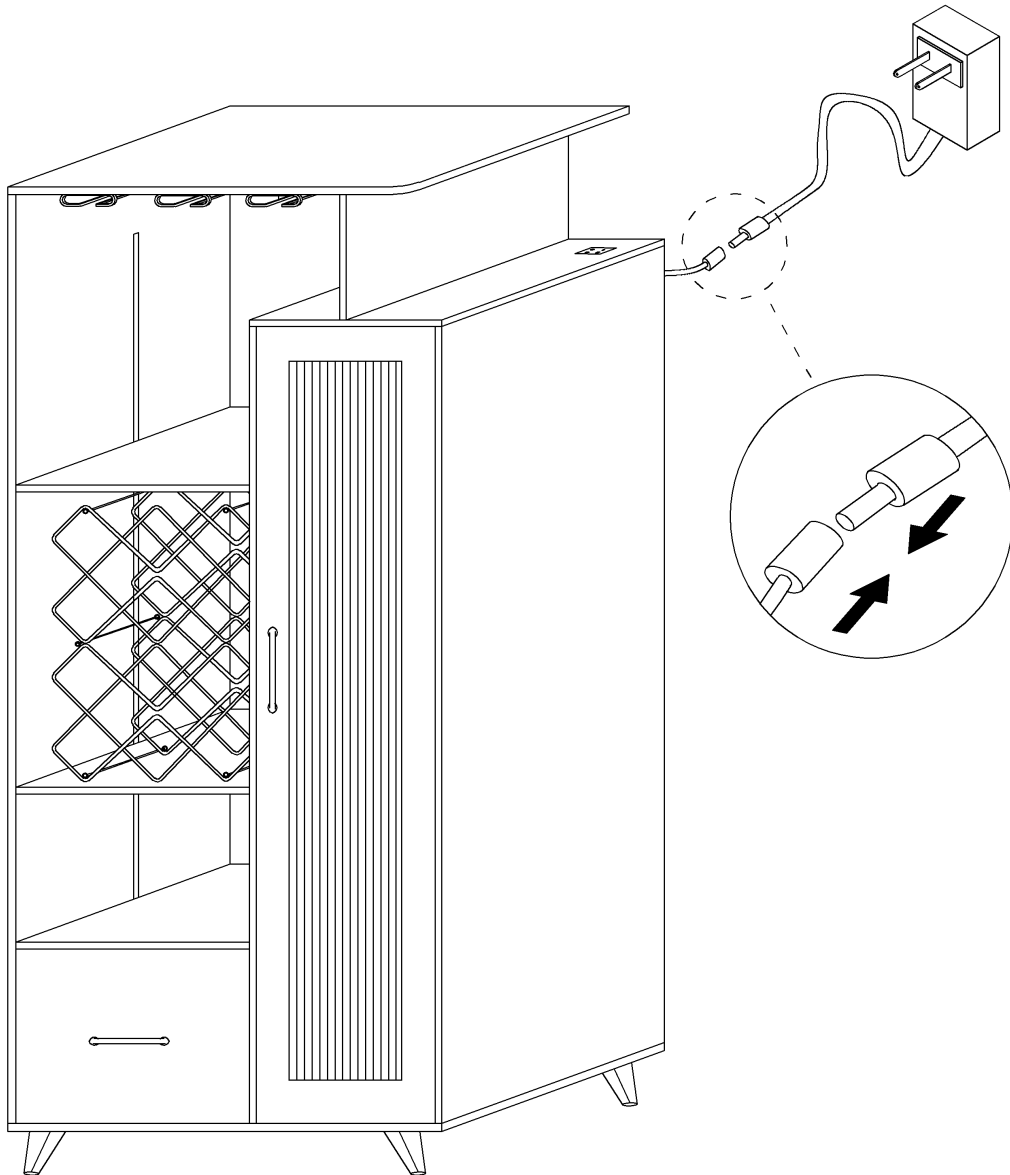
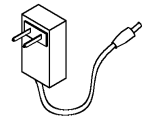


x1



49

Step 50



50

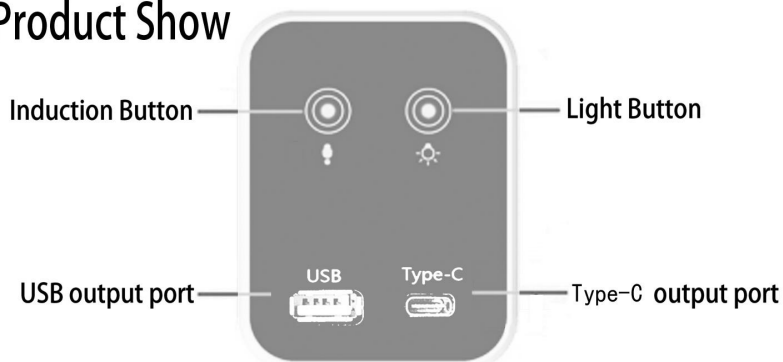
## User's Guide


Thank you for purchasing this product. To use this product, please plug it into a 12V DC power supply. Please use if the product works normally after connecting to power.

## Introduction

The box is an intelligent controller. It has 1 USB port and 1 type-C port and can distribute the current output up to 5V DC-2A. With 2 touch buttons, it can turn ON/OFF the light, change light colors, and adjust the light luminance.

## Product Show



 **ATTENTION PLEASE**

1. If there is no touch response suddenly, Re-plug the power to reset the touch static electricity.
2. If bubbles appear on the panel, remove the protective film.

## Operation



This touch button is used to turn on/off, change colors, and adjust brightness.

A. Short touch -> lighting on -> short touch -> change light color -> short touch -> change light color -> short touch -> lighting off. B. Long touch -> adjust the luminance



This touch button is used to turn on/off the induction function.

A. Short touch to turn on the induction function. It can auto-turn on the light when people are close to the controller in 1 meters. It can auto power off the light when the body is far away from the controller after 30 seconds.

B. Long touch to turn off the induction function.

C. Note: When you touch the light button to change the light modes, the induction function will automatically turn off. It is best to turn on this function after selecting the light color and adjusting the brightness you want.