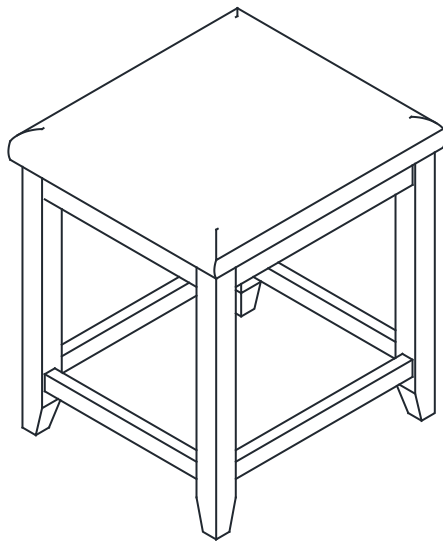
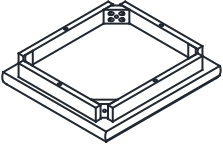

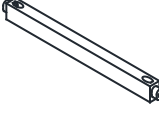
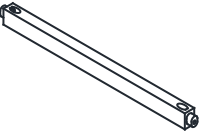







Vanity Stool



PART LIST

<div style="border: 1px solid black; padding: 5px; text-align: center;"> A  </div>	<div style="border: 1px solid black; padding: 5px; text-align: center;"> B  </div>	<div style="border: 1px solid black; padding: 5px; text-align: center;"> C  </div>	<div style="border: 1px solid black; padding: 5px; text-align: center;"> D  </div>
<p style="text-align: center;">Seat Panel 1 PC</p>	<p style="text-align: center;">Leg 4 PCS</p>	<p style="text-align: center;">Short Stretcher 2 PCS</p>	<p style="text-align: center;">Long Stretcher 2 PCS</p>

HARDWARE LIST

<div style="border: 1px solid black; padding: 5px; text-align: center;"> #1  2"x Ø1/4"xD12 </div>	<div style="border: 1px solid black; padding: 5px; text-align: center;"> #2  1/8"x 1-1/2L </div>	<div style="border: 1px solid black; padding: 5px; text-align: center;"> #3  </div>	<div style="border: 1px solid black; padding: 5px; text-align: center;"> #4  </div>
<p style="text-align: center;">Hex Socket Head Bolt 4 PCS (Extra 1)</p>	<p style="text-align: center;">Screw 8 PCS (Extra 1)</p>	<p style="text-align: center;">Spring Washer 4 PCS (Extra 1)</p>	<p style="text-align: center;">Flat Washer 4 PCS (Extra 1)</p>
<div style="border: 1px solid black; padding: 5px; text-align: center;"> #5  </div>			
<p style="text-align: center;">Allen Wrench 1 PC</p>			

ADDITIONAL TOOLS (Not Provided)

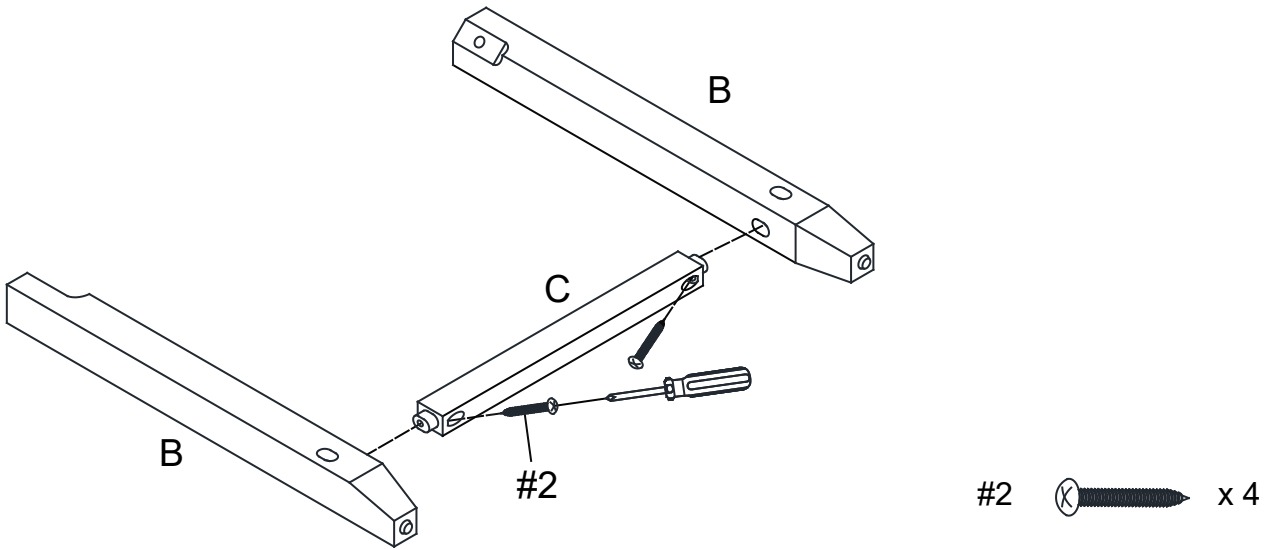
Note: It is not recommended to use power tools during assembly.



Phillips Head Screwdriver

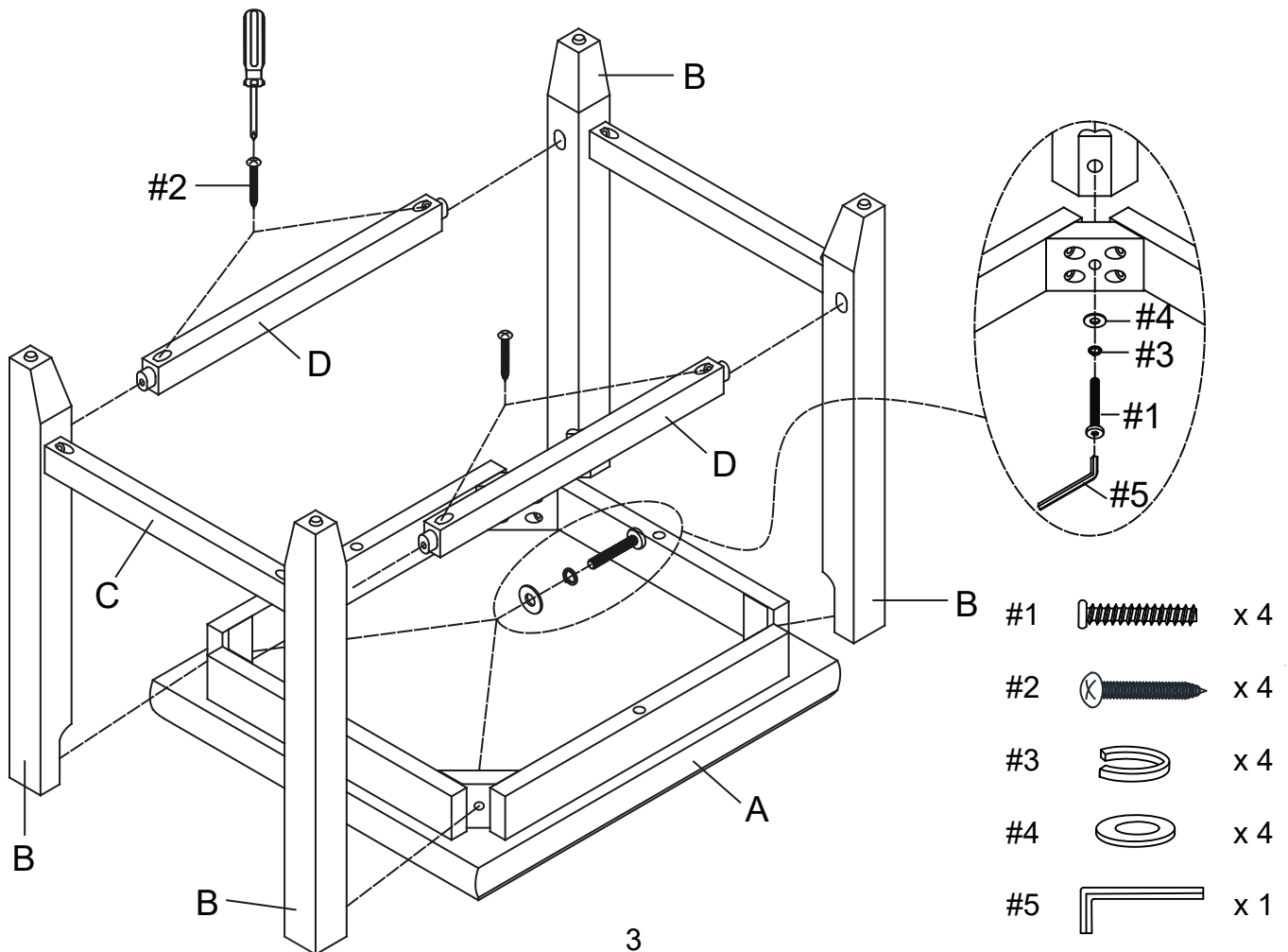
Step 1. Attach short stretcher (part C) to legs (part B) using screws (part #2) and phillips head screwdriver. Repeat for remaining legs.

NOTE: Please do not fully tighten screws until unit is fully assembled.



Step 2. Attach assembled unit (parts B & C) to seat panel (part A) and long stretchers (part D) using screws (part #2), hex socket head bolts (part #1), spring washers (part #3), flat washers (part #4), allen wrench (part #5) and phillips head screwdriver.

NOTE: Please fully tighten all bolts and screws at this time.



Step 3. Carefully turn unit upright.

