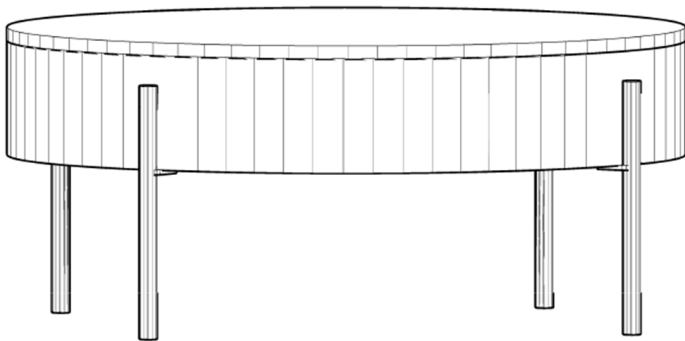


Assembly Guide



IMPORTANT: please read these instructions fully before starting assembly



**SAFETY AND
CARE ADVICE**



NO POWER TOOLS

- Check you have all the components and tools listed
- Remove all fittings from their bags and separate into groups
- We do not recommend use of power tools - this could damage the unit. Only use hand screwdrivers and Allen keys
- Keep children and animals away from the work area, small parts could cause choking if swallowed
- Make sure you have enough space to lay out the parts before starting
- Assemble the item as close to its final position (same room) as possible
- Do not over tighten the nuts to avoid damage to the threads
- Only clean using a damp cloth and mild detergent. Do not use bleach or abrasive cleaners
- From time to time, check there are no loose screws in this unit
- This product should not be discarded with household waste. Take to your local authority waste disposal centre
- Unless otherwise stated, this product is designed for domestic use and is not certified for commercial or contract settings.

IMPORTANT INFORMATION



15 Minute
Build



Two Person
Build









Max Weight
Capacity
45kg / 100lbs

Note: Assembly estimates are approximate and can differ based on the specific environment and user experience.

WHAT'S IN THE BOX

Note: the quantities are the correct amount to complete the assembly. In some cases more fixings may be supplied than are required.

Label	Part Name	Drawing	Quantity
A	Wooden Structure		1
B	Iron Leg		4

Label	Hardware Description	Drawing	Size (mm)	Quantity
H1	Allen Bolt		6x16	4
H2	Allen Bolt		6x40	4
H3	Washer		8x20	8
H4	Allen Key		4	1

Note:

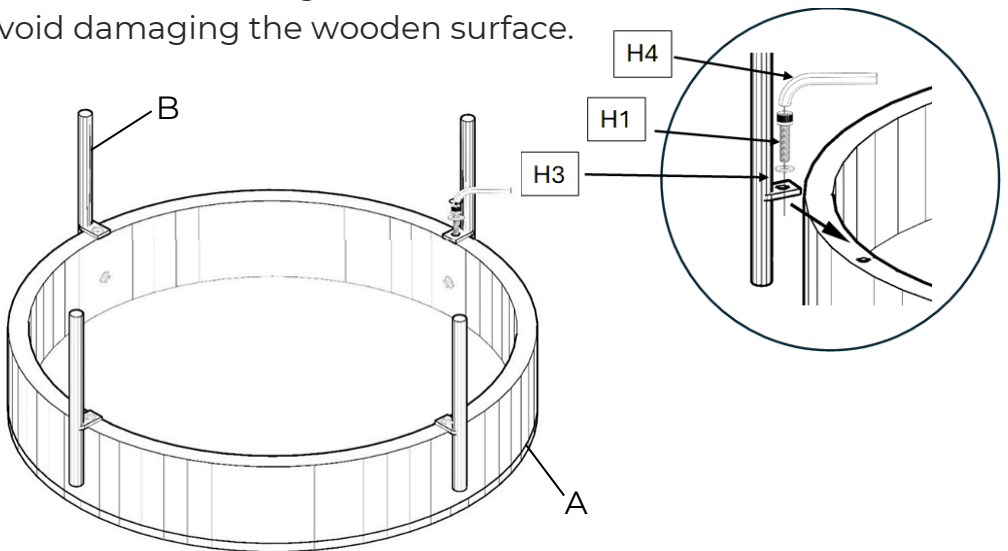
- Use a clear, flat surface to avoid bumps or scratches before assembling.
- Insert all fixings loosely at first to allow for alignment; only tighten them once everything is properly positioned, as some adjustment may be required.
- Avoid over-tightening, as this may damage the parts.
- Seek assistance when moving large or heavy parts

STEP 1

Insert 4x Allen bolts [H1] with 4x washers [H2] through the holes in each iron leg [B] and into the pre-drilled holes on the wooden structure [A]

Lightly tighten all bolts using the Allen key [H4], keeping the legs properly aligned.

NOTE: Do not overtighten the bolts to avoid damaging the wooden surface.

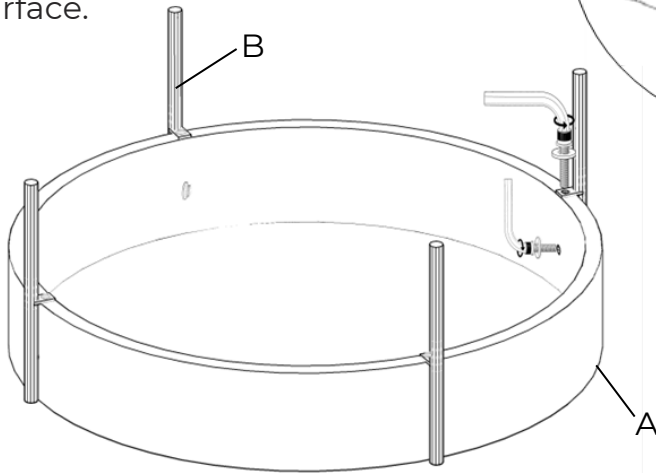
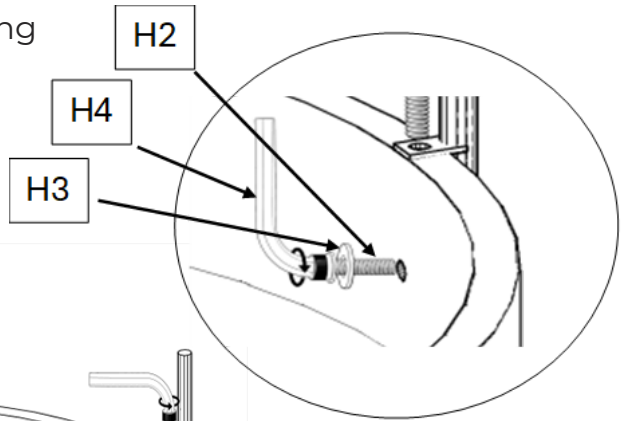


STEP 2

Insert 4x Allen Bolts [H2] with 4x washers [H3] through the holes in the wooden structure [A] and into the hole on the iron legs [B]

Lightly tighten all bolts using the Allen key [H4]

NOTE: Do not overtighten the bolts to avoid damaging the wooden surface.



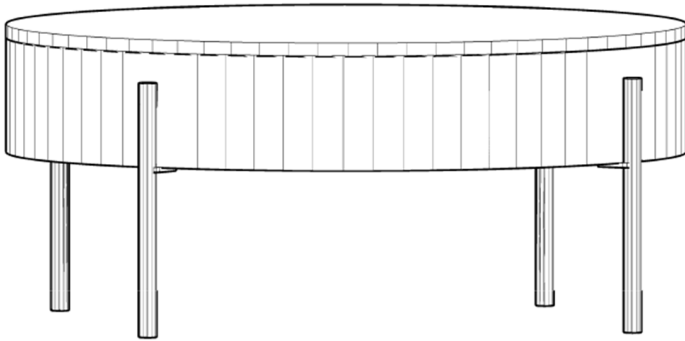
STEP 3

Once all bolts are in place, fully tighten each Allen bolt using Allen key [H4]. Ensure all legs are stable and securely fixed.

STEP 4

Carefully, and with help, flip the table onto its legs. Check that the unit is level and properly supported.

Your coffee table
is now ready to use!



Please ensure any and all fixings and fittings are FULLY tightened before using this product

For any questions or concerns regarding this product, please contact the retailer from whom it was purchased.