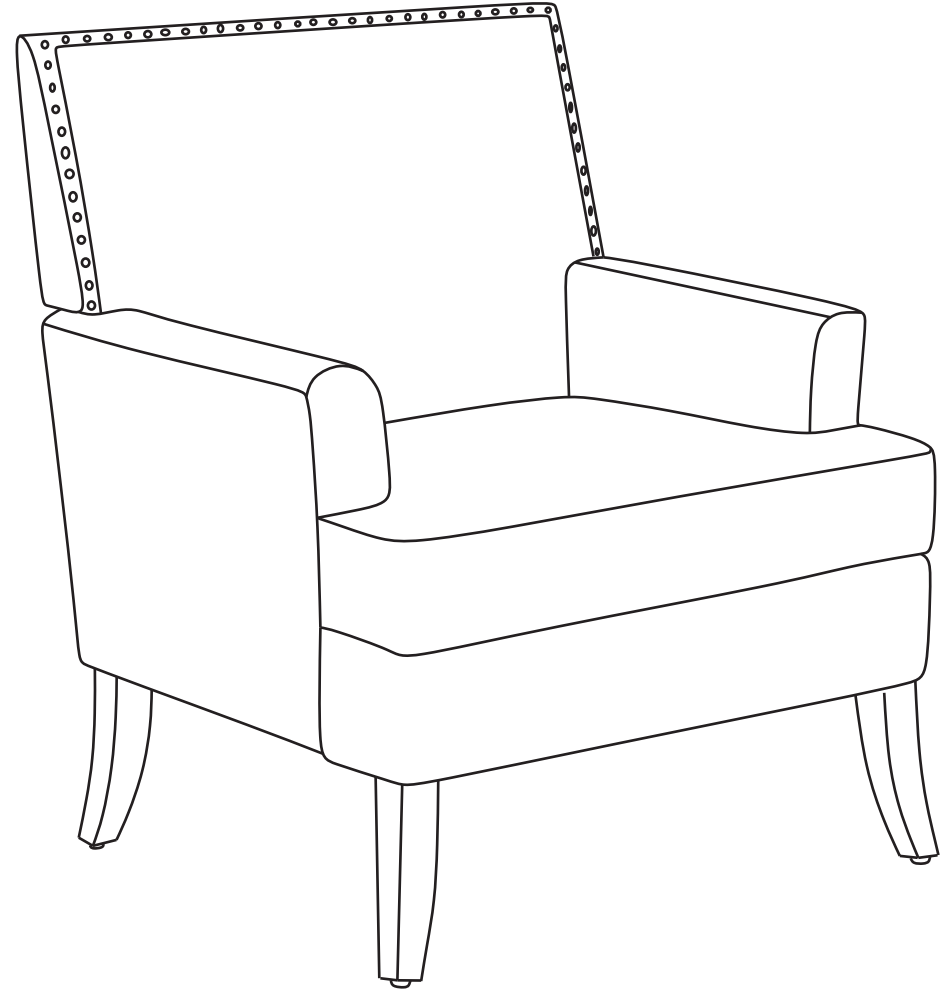


# Instruction Manual

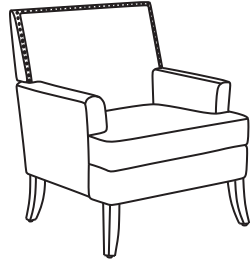
## User Guide

### Make life better

Warm tips: We are proud of high-quality products and satisfactory service, but the goods may encounter special circumstances during transportation, if you receive the goods with missing or damaged parts, please take photos and contact our customer service before returning the goods, we will customize a solution that satisfies you, thank you.

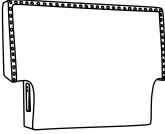
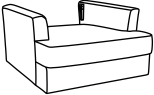

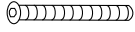
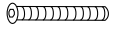





# Instruction



◀ SINGLE SOFA

▼ PARTS LIST

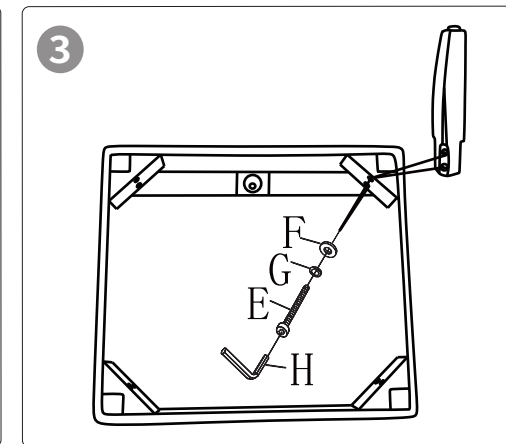
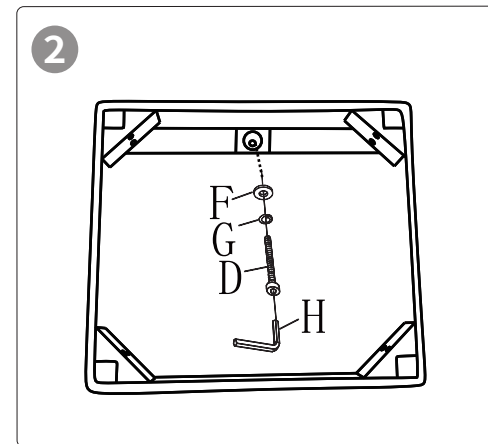
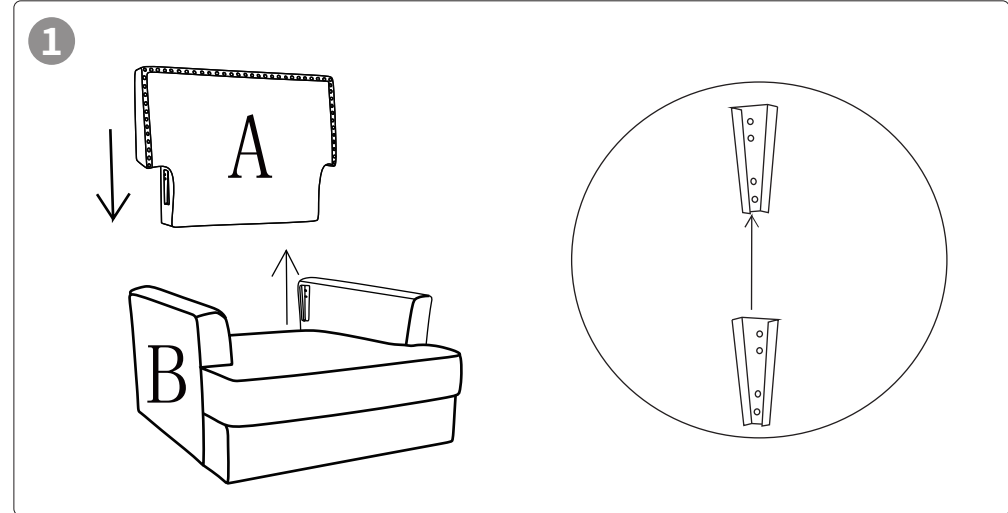
NO	DESCRIPTION			QTY
A	Chair Back			1
B	Chair Seat			1
C	Legs			4
D	Screw	Φ5/16 ***2-3/16 "L		1
E	Screw	Φ5/16 ***1-3/4 "L		8
F	Flat Washer	Φ5/16**22mm		9
G	Lock Washer	Φ5/16"		9
H	Allen Washer	Φ5mm		1

## Note:

1. During the assembly process of a product, if you need to install multiple screws, you can first align all the screws with the holes, first rotate a few times to fix the positions of all the screws. and after all the screws are aligned with the holes, use a wrench to completely tighten in turn.

2. Flat washers and lock washers must be installed to prevent the screws from loosening and damaging the joints

# Installation Method



- 1 Insert the backrest into the cushion.
- 2 Turn the chair upside down and install the screw (D).
- 3 Install four chair legs.