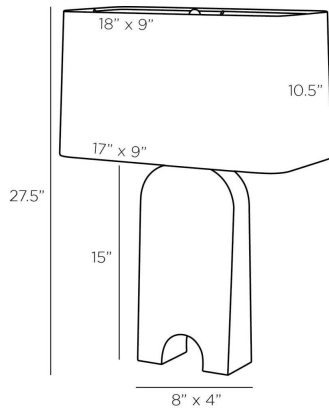


ARTERIOS

BIRMINGHAM LAMP



PTI07-517

H: 27.5 IN, W: 18 IN, D: 10 IN,
Capri, Marble

Solid Capri marble is sculpted with a pleasing arched silhouette and almost anthropomorphic leggy base. Reminiscent of mid-century arts and crafts, this quirky lamp is accented with antiqued brass finish hardware and a drum shade of off-white microfiber lined in cotton. Finished with a clear silver cord and three-way rotary switch. Finish will vary.

APPEARANCE

Material	Marble, Steel, Microfiber, Cotton
Finish	Capri, Antique Brass, Off-White
Finish Will Vary	Yes
Top Coat/Sealant	Yes
Finial Description	Matching Capri Marble Sphere

DIMENSIONS

Body	H: 15 IN, W: 8 IN, D: 4 IN
Foot Print	W: 8 IN, D: 4 IN
Neck	H: 2 IN, Dia: 1.00 IN
Shade Bottom	W: 18 IN, D: 10 IN
Shade Side	H: 10.5 IN
Shade Top	W: 17 IN, D: 9 IN
Harp Size	8.5" Antique Brass IN

WIRING

Rating	Indoor Only
Tilt Test	10 Degrees - AU
Cord	10 FT, Back of Lamp Base, Clear/Silver,
Socket	1, Type A - E26
Switch	At Socket, 3-Way Rotary
Maximum Watt	150
Voltage	110-120 V

CERTIFICATIONS

Certifications	Mexico, United Arab Emirates, United Kingdom, United States, Canada, Australia
----------------	--

COMPLIANCY

UL/ETL	Yes
CB	Yes
RoHS	Yes

SHIPPING

Product Weight	34.6 lbs
Gross Weight 1	41 lbs
Shipping Box 1	H: 27 IN, L: 13 IN, W: 9 IN
Shipping Box 2	H: 20.5 IN, L: 22.5 IN, W: 12.5 IN

ADDITIONAL INFO

Shade Shape	Rectangle
Shade Trim	Rolled Edges
Shade Type	Hardback

REPLACEMENT PARTS

Replacement Part 1	PTI07FIN
Replacement Part 1 Dim	1" Sphere

CONTRACT

Contract Suitable	Yes
-------------------	-----