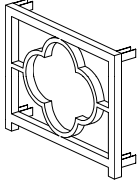


ASSEMBLY INSTRUCTION

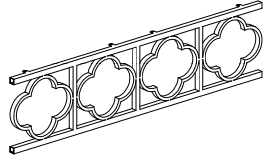
FLOWER PLATE METAL BENCH

A Frame



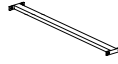
2PCS

B Frame



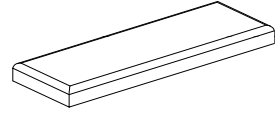
2PCS

C Stretcher



2PCS

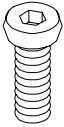
D Top



1PC

E Bolts

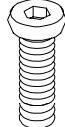
1/4" x 1/2"



24PCS

F Bolts

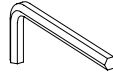
1/4" x 3/4"



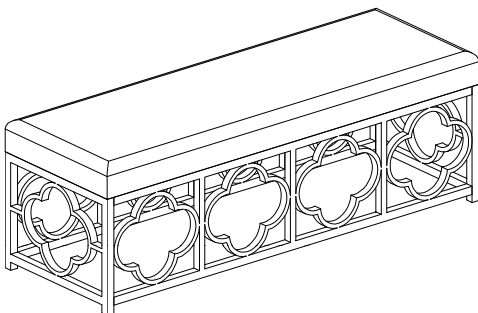
8PCS

G Allen Wrench

4MM

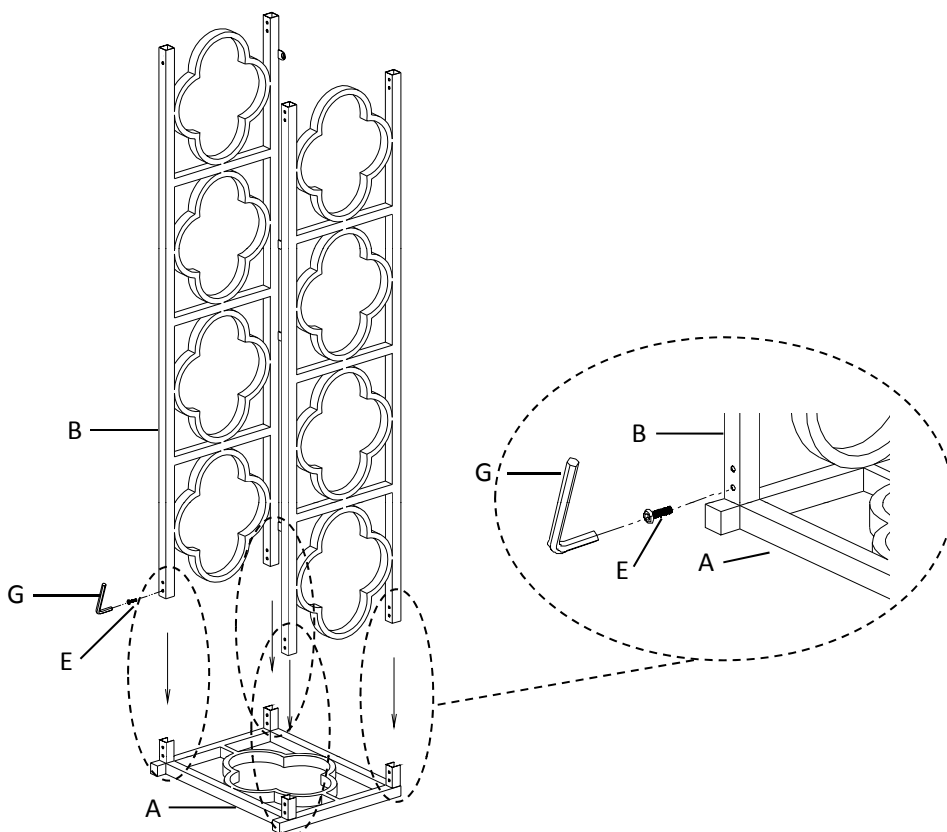


1PC

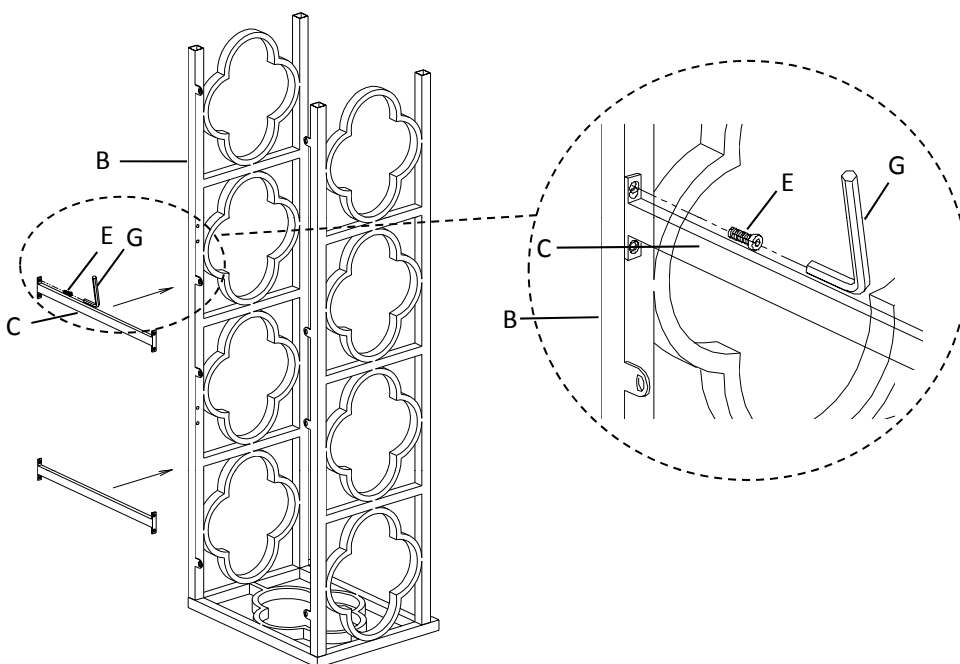


This page lists all the contents included in the box. Please take the time to identify the hardware as well as the individual components to this product. As you unpack and prepare for assembly, place the contents on a carpeted or padded area to protect them from damage.

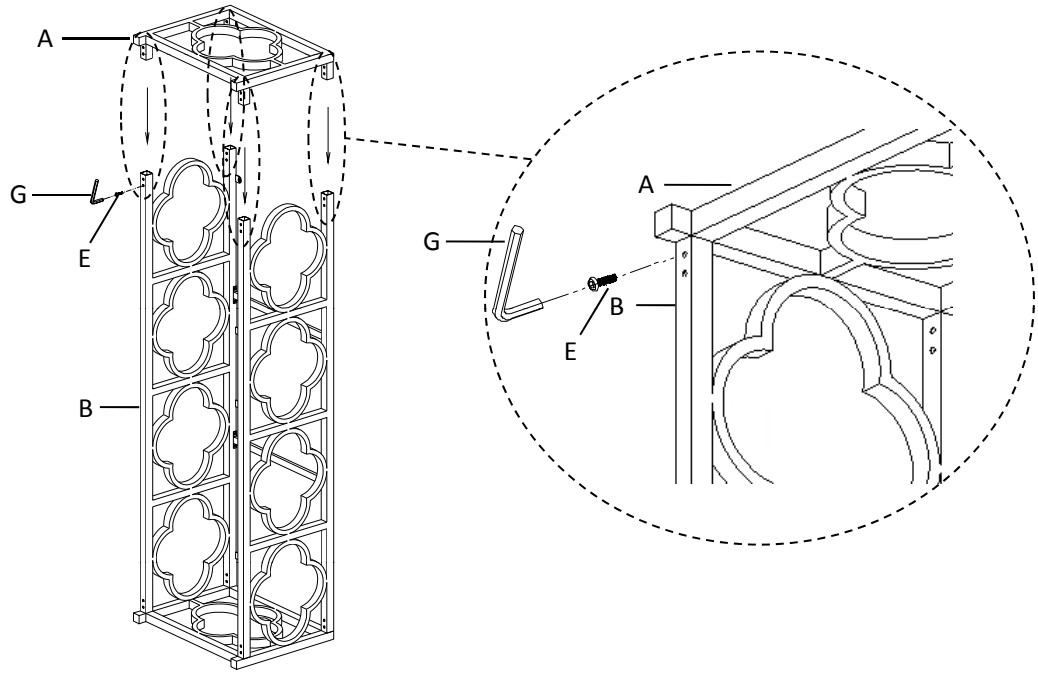
1 Insert frame(B) to frame(A) with allen wrench(G) to bolts(E), but not too tight.



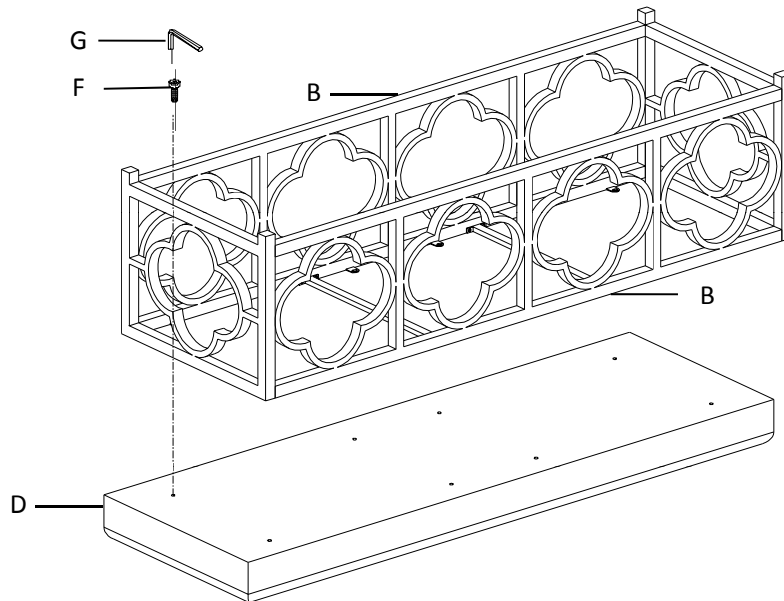
2 Attach stretcher(C) to frame (B) with allen wrench(G) to bolts(E), but not too tight.



3 Attach frame(A) to frame(B) with allen wrench(G) to bolts(E), but not too tight. Fasten all bolts(E) tightly.



4 Attach the top(D) to frame(B) by using bolts(F) with allen wrench(G), and tighten bolts(F) securely.



Cleaning & Care

Treat surface with care. Surface is resistant to scratches but is not scratch resistant. Clean surfaces with a dry or damp soft cloth. Do not use abrasive cleaners. Hardware may loosen over time. Periodically check that all connections are tight.